



US00D863375S

(12) **United States Design Patent**
Reynolds et al.

(10) **Patent No.:** **US D863,375 S**
(45) **Date of Patent:** **** Oct. 15, 2019**

(54) **MOWER CAB**
(71) Applicant: **B & D Technologies, LLC**, Accomac, VA (US)
(72) Inventors: **Orvell B. Reynolds**, Ridgeland, MS (US); **Devon Fairhurst**, Onancock, VA (US)
(**) Term: **15 Years**

D479,536 S * 9/2003 Dahl D15/30
D481,044 S * 10/2003 Tokach D15/30
D497,920 S * 11/2004 Antonetti D15/30
D531,646 S * 11/2006 McCarren, Jr. D15/30
D533,569 S * 12/2006 Mursch D15/28
D534,927 S * 1/2007 Mursch D15/28
D541,826 S * 5/2007 Brush D15/30
D572,642 S * 7/2008 Steckling D12/182
D594,480 S * 6/2009 Gicquel D15/30
D625,741 S * 10/2010 Seidel D15/30
8,033,899 B2 * 10/2011 Ichikawa B60H 1/00378
296/39.3
D653,173 S * 1/2012 Dolesh D12/96

(21) Appl. No.: **29/666,412**

(22) Filed: **Oct. 12, 2018**

(51) **LOC (12) Cl.** **15-03**

(52) **U.S. Cl.**
USPC **D15/30**

(58) **Field of Classification Search**
USPC D15/28, 30, 31, 22-26; D34/37;
180/89.11, 89.12, 89.13, 89.19, 900
CPC .. B66C 13/54; E02F 9/16; E02F 9/163; E02F
9/06; B62D 33/0617; B62D 49/00-085;
B62D 33/06-073; B60J 7/00; B60J 1/004;
B60J 1/02; B60J 1/04; B60J 5/0487
See application file for complete search history.

(56) **References Cited**

U.S. PATENT DOCUMENTS

D297,329 S * 8/1988 Monehaie D15/30
D304,589 S * 11/1989 Lanphere D15/30
D321,517 S * 11/1991 Katoh D15/30
5,273,340 A * 12/1993 Nelson B62D 33/06
296/190.03
5,427,185 A * 6/1995 Seal E02F 3/7627
172/197
D366,267 S * 1/1996 Lepoix D15/30
D376,604 S * 12/1996 Johnson D15/30
5,911,624 A * 6/1999 Stauffer B60H 1/00378
454/158
D446,225 S * 8/2001 Brandenburg, III D15/30
D463,461 S * 9/2002 Yanagida D15/30
D464,662 S * 10/2002 Dahl D15/33

(Continued)

Primary Examiner — Mark A Goodwin

(74) *Attorney, Agent, or Firm* — AdamsIP, LLC; Gary N. Stewart; J. Hunter Adams

(57) **CLAIM**

The ornamental design for a mower cab, as shown and described.

DESCRIPTION

FIG. 1 is a front perspective view of a mower cab showing the claimed design in an environment in which it may be used;

FIG. 2 is a top view thereof, wherein certain unclaimed portions of the mower cab are removed to better show the claimed design;

FIG. 3 is a bottom view thereof;

FIG. 4 is right side view thereof;

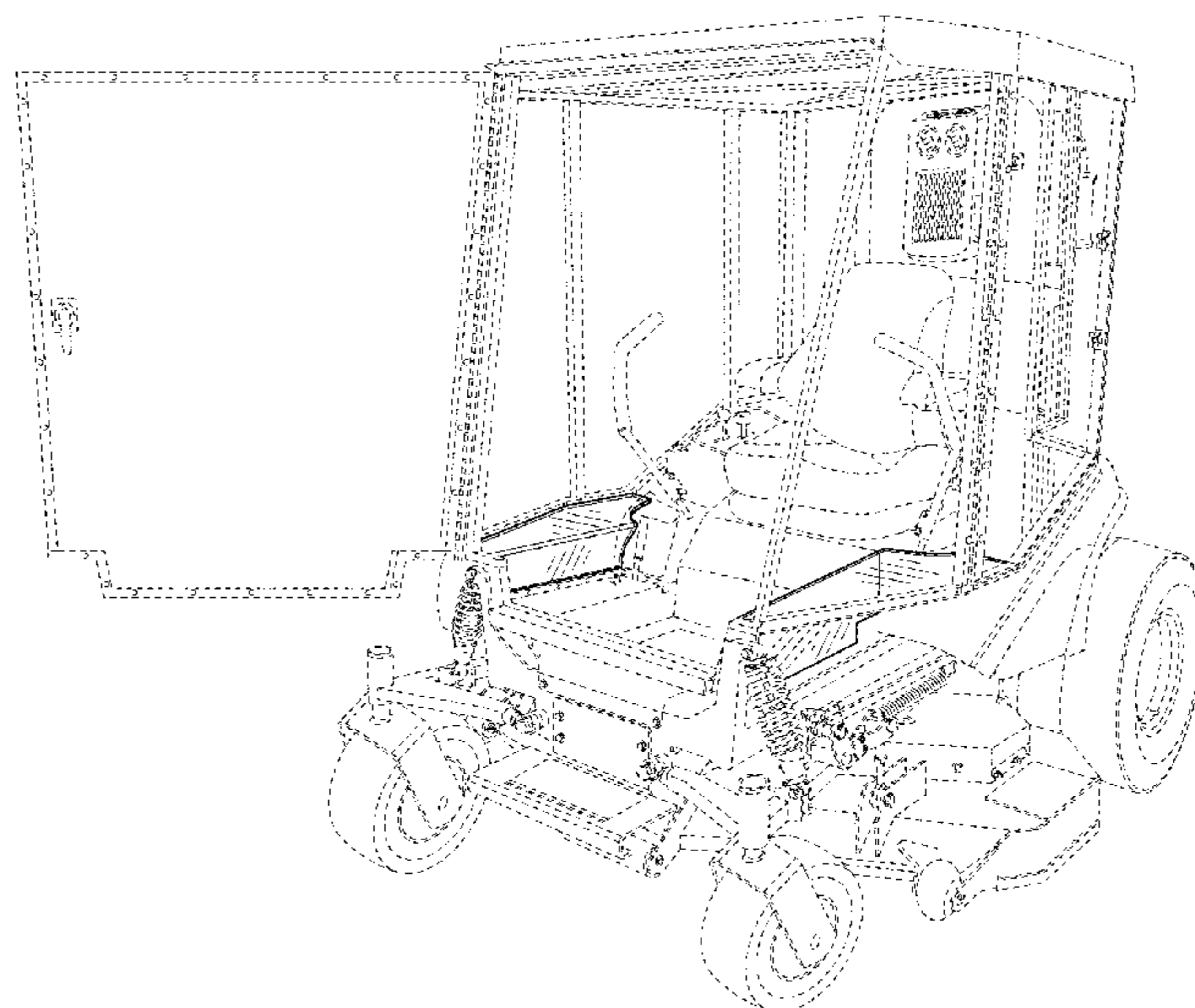
FIG. 5 is a left side view thereof;

FIG. 6 is a back view of the mower cab of FIG. 2 taken along line 6-6 to better show the claimed design; and,

FIG. 7 is a front view of the mower cab of FIG. 2 taken along line 7-7 to better show the claimed design.

The dashed broken lines in the figures show portions of the mower cab or environmental subject matter that form no part of the claimed design.

1 Claim, 7 Drawing Sheets



(56)

References Cited

U.S. PATENT DOCUMENTS

D654,400	S	*	2/2012	Dolesh	D12/96
D668,693	S	*	10/2012	Ringer	D15/30
D671,566	S	*	11/2012	Fang	D15/30
D691,924	S	*	10/2013	Smith	D12/96
D714,837	S	*	10/2014	Jacobsthal	D15/30
D720,370	S	*	12/2014	Carter	D15/30
D749,649	S	*	2/2016	McAdam	D15/30
D762,248	S	*	7/2016	Steinhardt	D15/30
D774,111	S	*	12/2016	Underhill	D15/30
D775,244	S	*	12/2016	Hart	D15/30
D780,231	S	*	2/2017	Saari	D15/30
D784,425	S	*	4/2017	Cooksey	D15/30
D816,733	S	*	5/2018	Diebold	D15/30
10,259,287	B2	*	4/2019	Reynolds	B60H 1/00407
2007/0151220	A1	*	7/2007	Bergsten	A01D 42/08

56/2

* cited by examiner

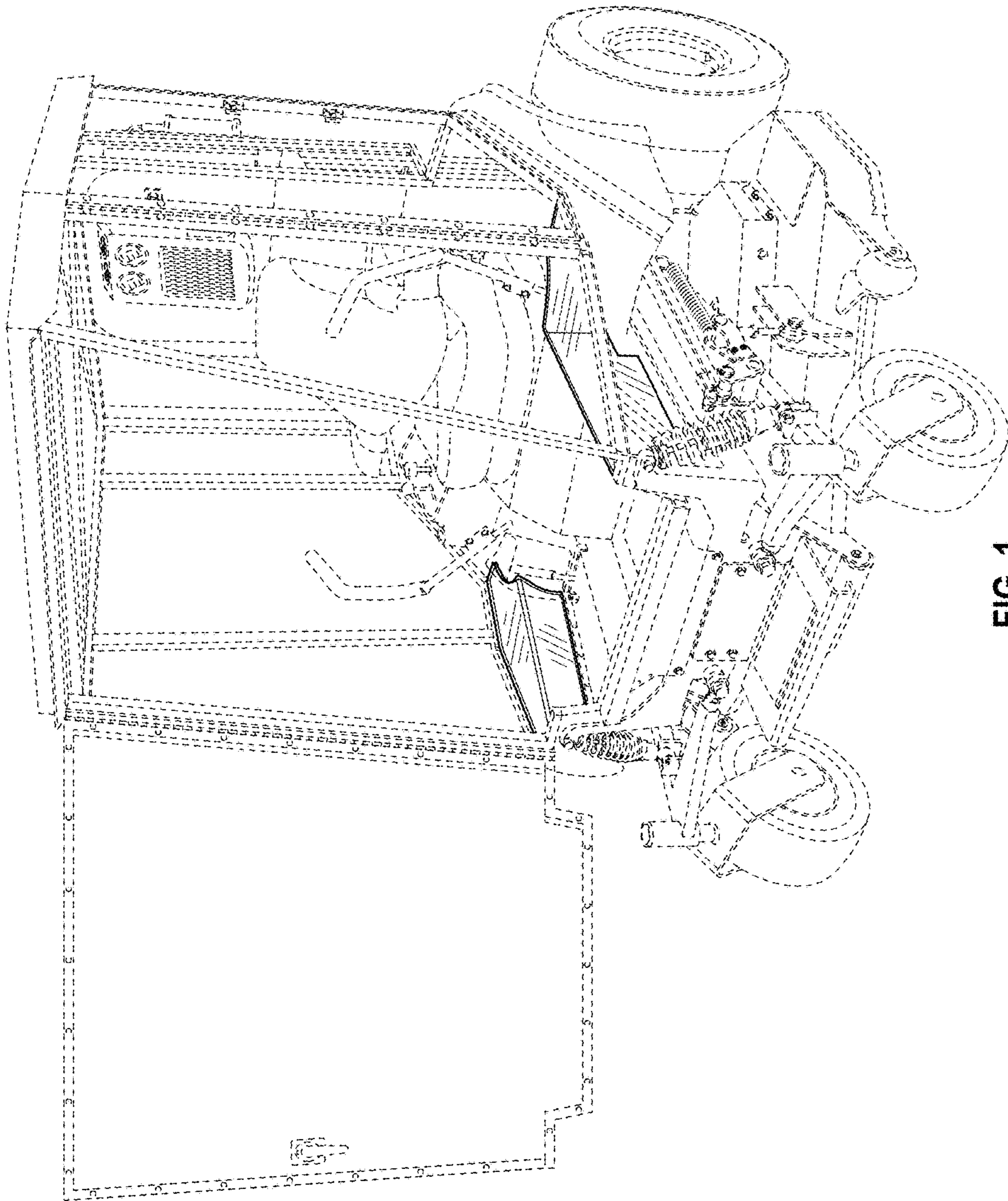


FIG. 1

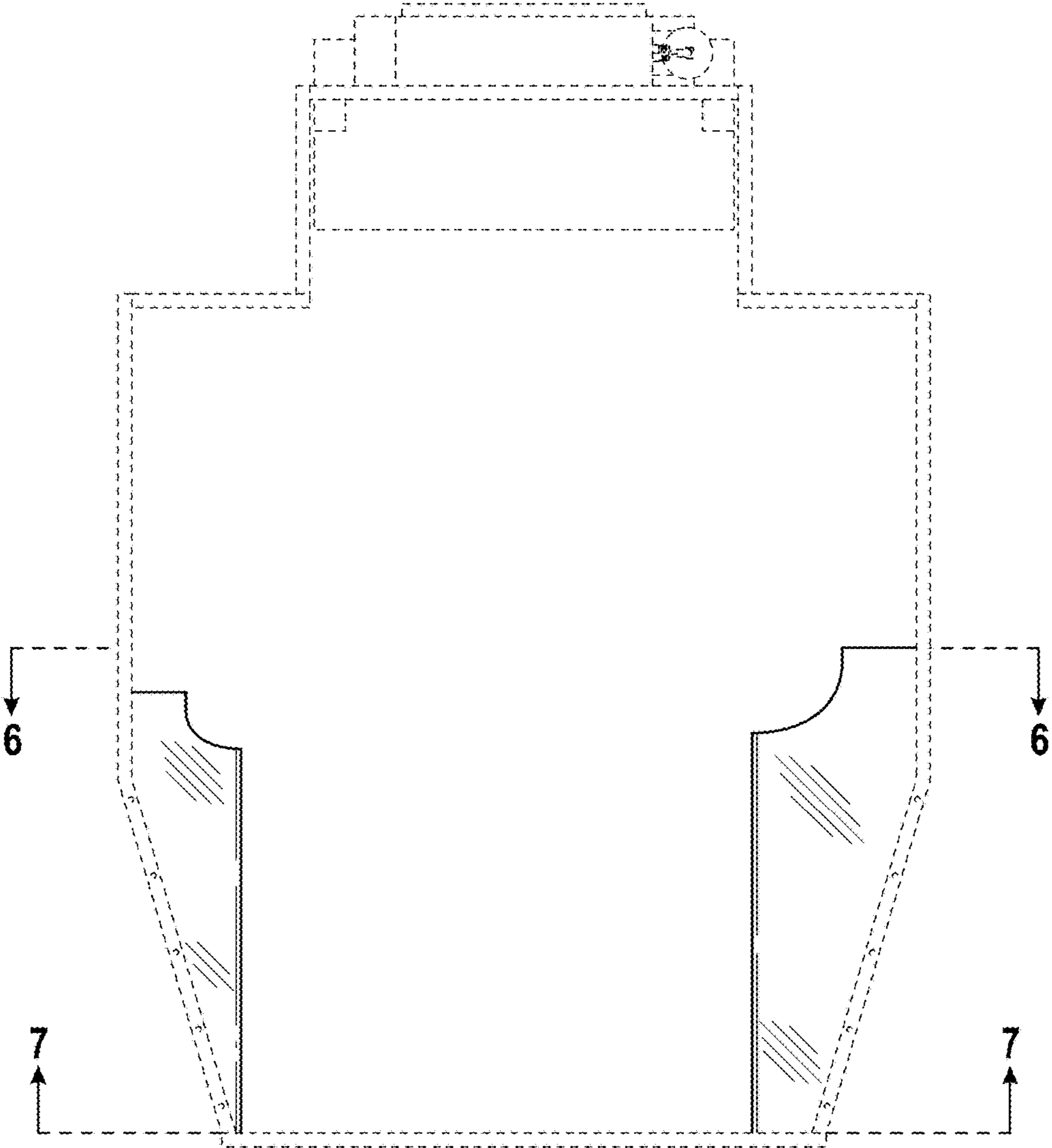


FIG. 2

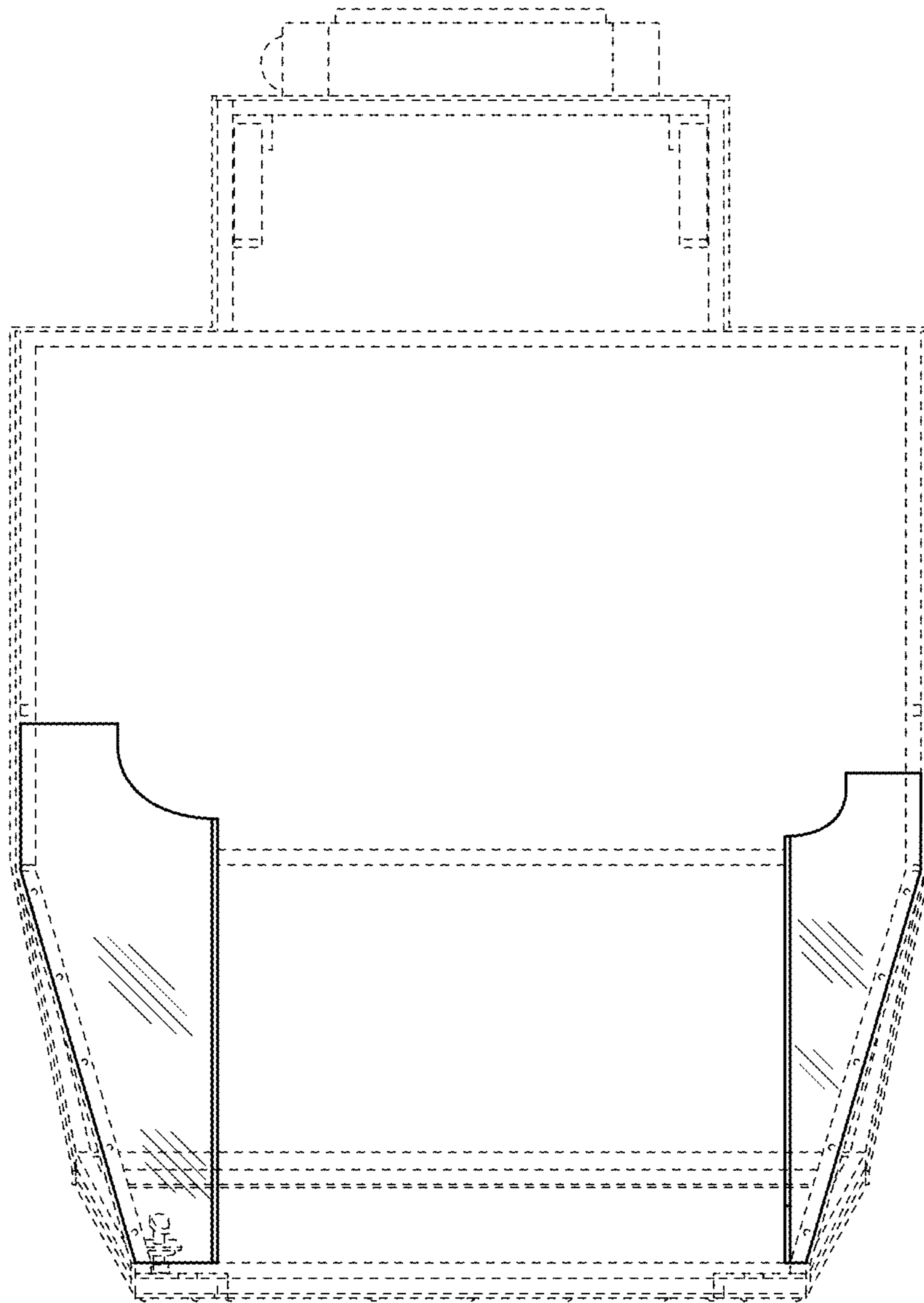


FIG. 3

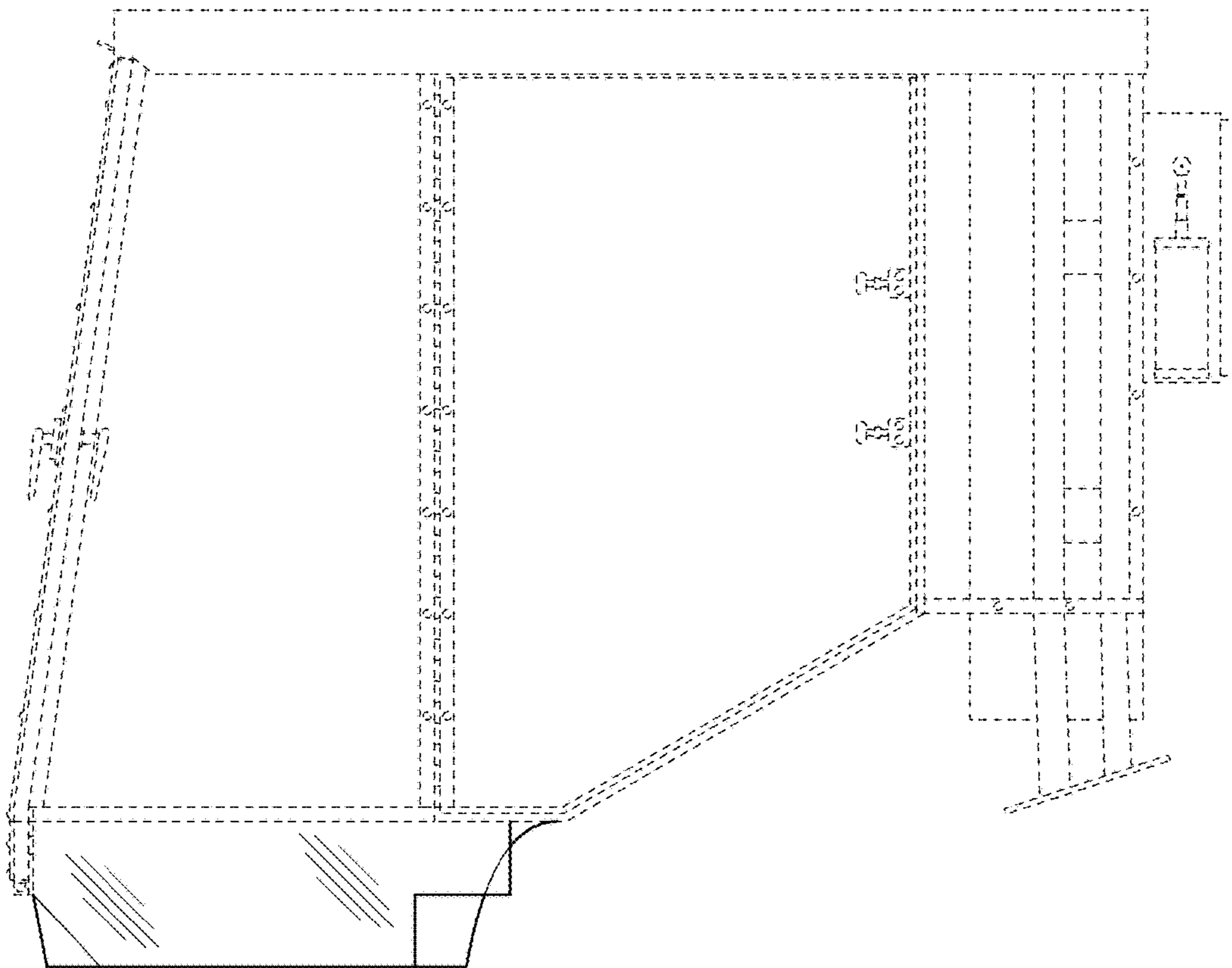


FIG. 4

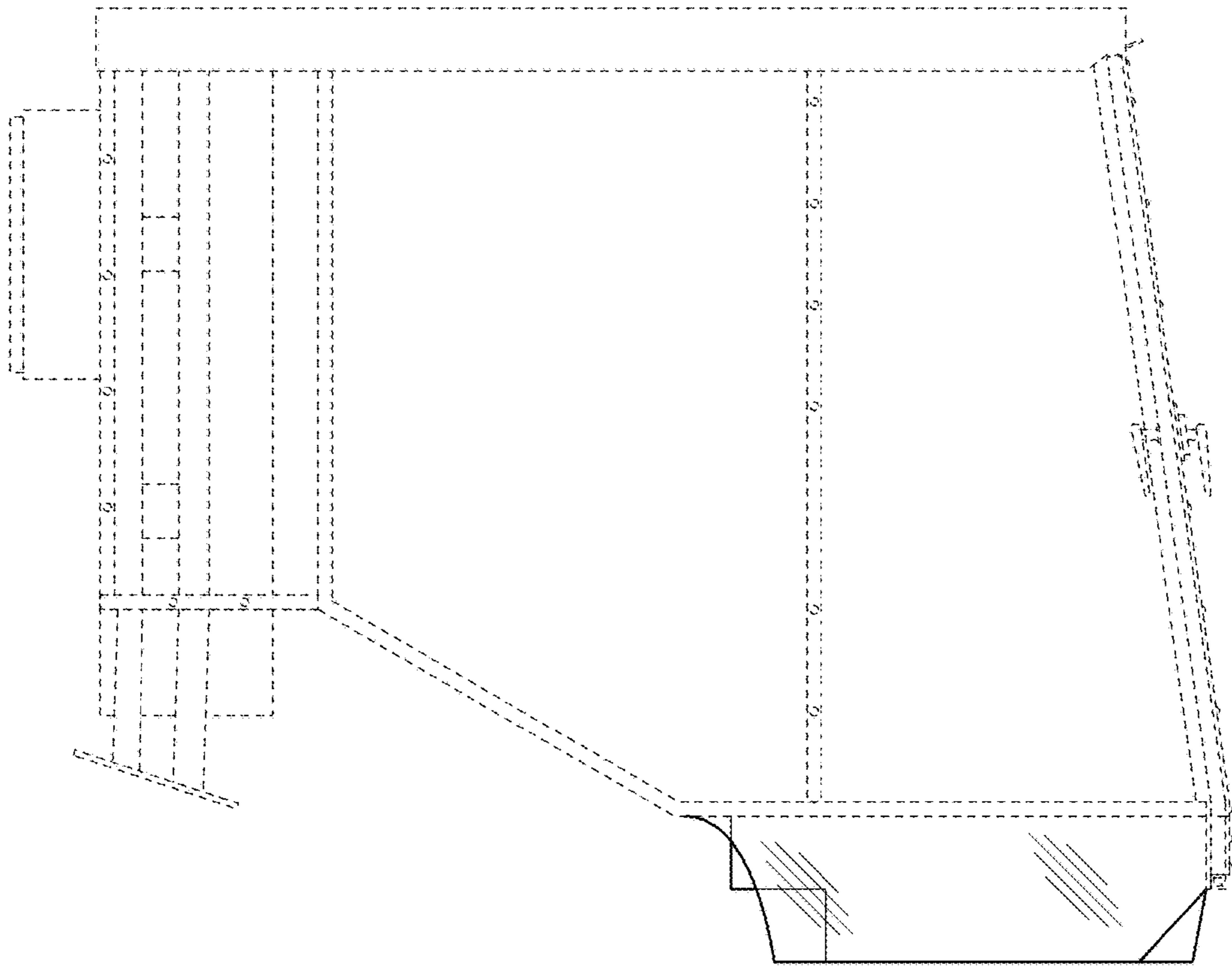


FIG. 5

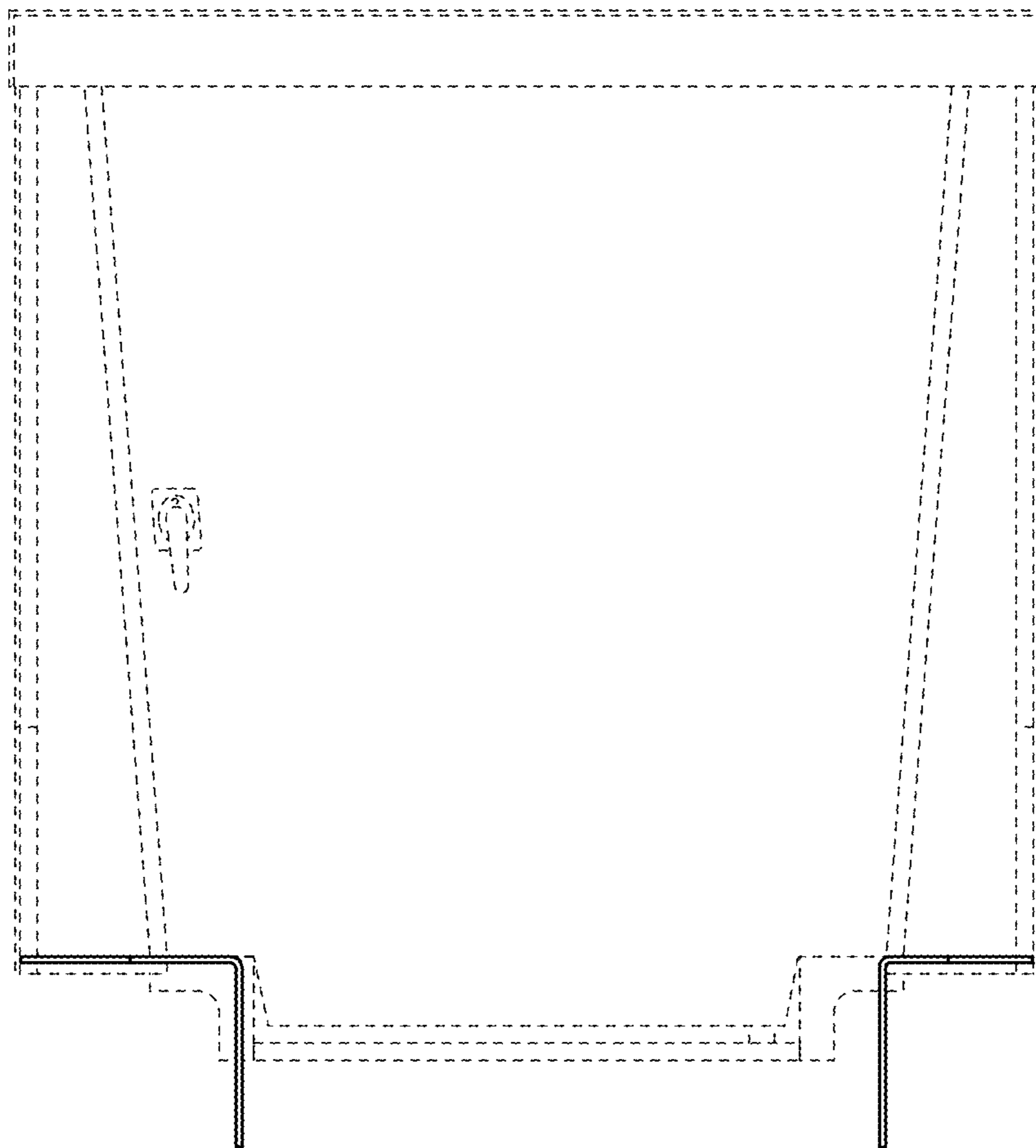


FIG. 6

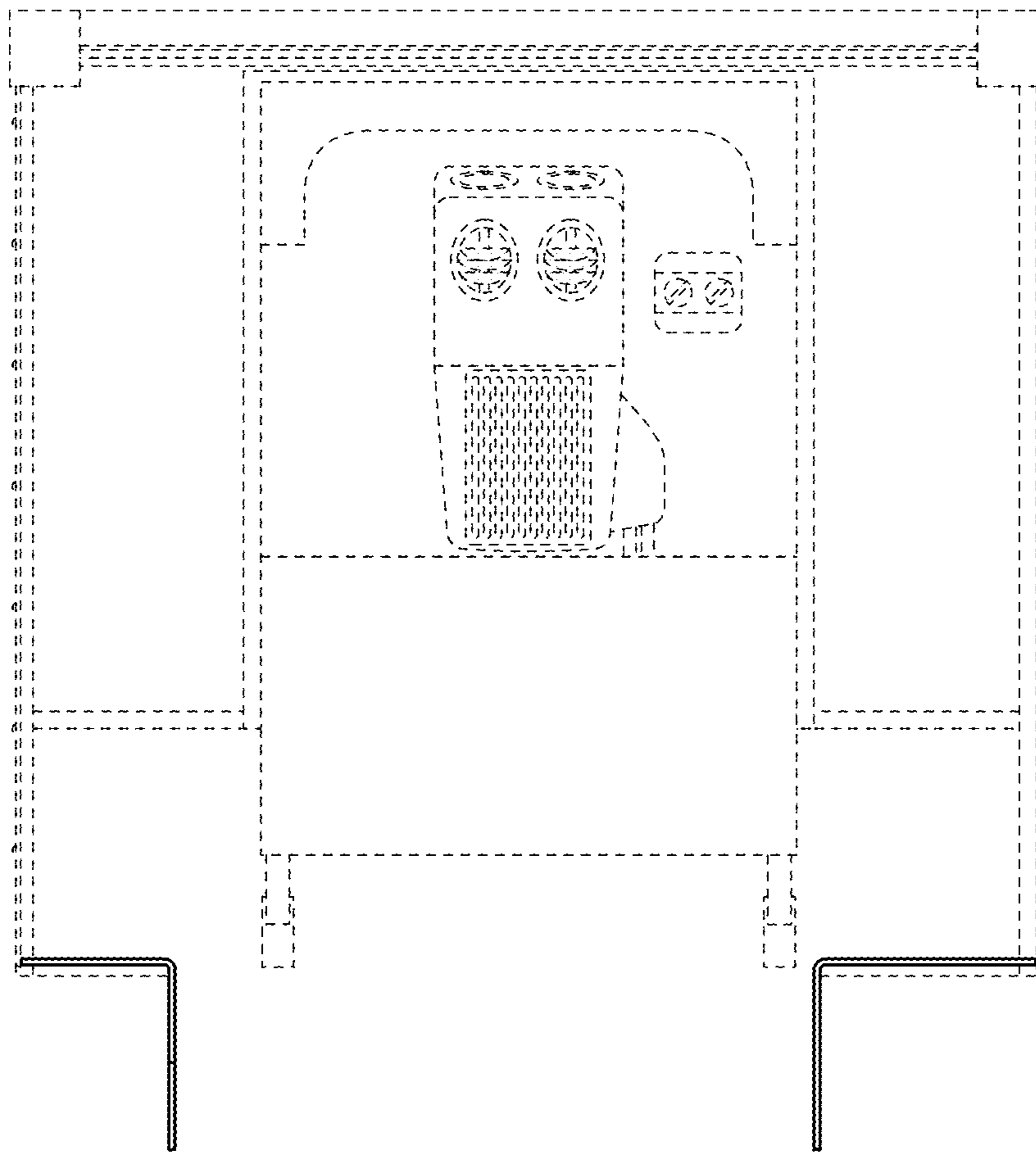


FIG. 7