



US00D863373S

(12) **United States Design Patent**
Reynolds et al.

(10) **Patent No.:** **US D863,373 S**
(45) **Date of Patent:** **** Oct. 15, 2019**

- (54) **DOOR**
- (71) Applicant: **B & D Technologies, LLC**, Accomac, VA (US)
- (72) Inventors: **Orvell B. Reynolds**, Ridgeland, MS (US); **Devon Fairhurst**, Onancock, VA (US)
- (**) Term: **15 Years**
- (21) Appl. No.: **29/666,400**
- (22) Filed: **Oct. 12, 2018**
- (51) **LOC (12) Cl.** **15-03**
- (52) **U.S. Cl.**
USPC **D15/30**
- (58) **Field of Classification Search**
USPC D15/28, 30, 31, 22-26; D34/37; 180/89.11, 89.12, 89.13, 89.19, 900
CPC .. B66C 13/54; E02F 9/16; E02F 9/163; E02F 9/06; B62D 33/0617; B62D 49/00-085; B62D 33/06-073; B60J 7/00; B60J 1/004; B60J 1/02; B60J 1/04; B60J 5/0487
See application file for complete search history.

D463,461 S *	9/2002	Yanagida	D15/30
D464,662 S *	10/2002	Dahl	D15/33
D479,536 S *	9/2003	Dahl	D15/30
D481,044 S *	10/2003	Tokach	D15/30
D497,920 S *	11/2004	Antonetti	D15/30
D531,646 S *	11/2006	McCarren, Jr.	D15/30
D533,569 S *	12/2006	Mursch	D15/28
D534,927 S *	1/2007	Mursch	D15/28
D541,826 S *	5/2007	Brush	D15/30
D572,642 S *	7/2008	Steckling	D12/182
D594,480 S *	6/2009	Gicquel	D15/30
D625,741 S *	10/2010	Seidel	D15/30
8,033,899 B2 *	10/2011	Ichikawa	B60H 1/00378 296/39.3
D653,173 S *	1/2012	Dolesh	D12/96
D654,400 S *	2/2012	Dolesh	D12/96
D668,693 S *	10/2012	Ringer	D15/30
D671,566 S *	11/2012	Fang	D15/30
D691,924 S *	10/2013	Smith	D12/96

(Continued)

Primary Examiner — Mark A Goodwin

(74) *Attorney, Agent, or Firm* — Adams IP, LLC; Gary N. Stewart; J. Hunter Adams

(57) **CLAIM**

The ornamental design for a door, as shown and described.

DESCRIPTION

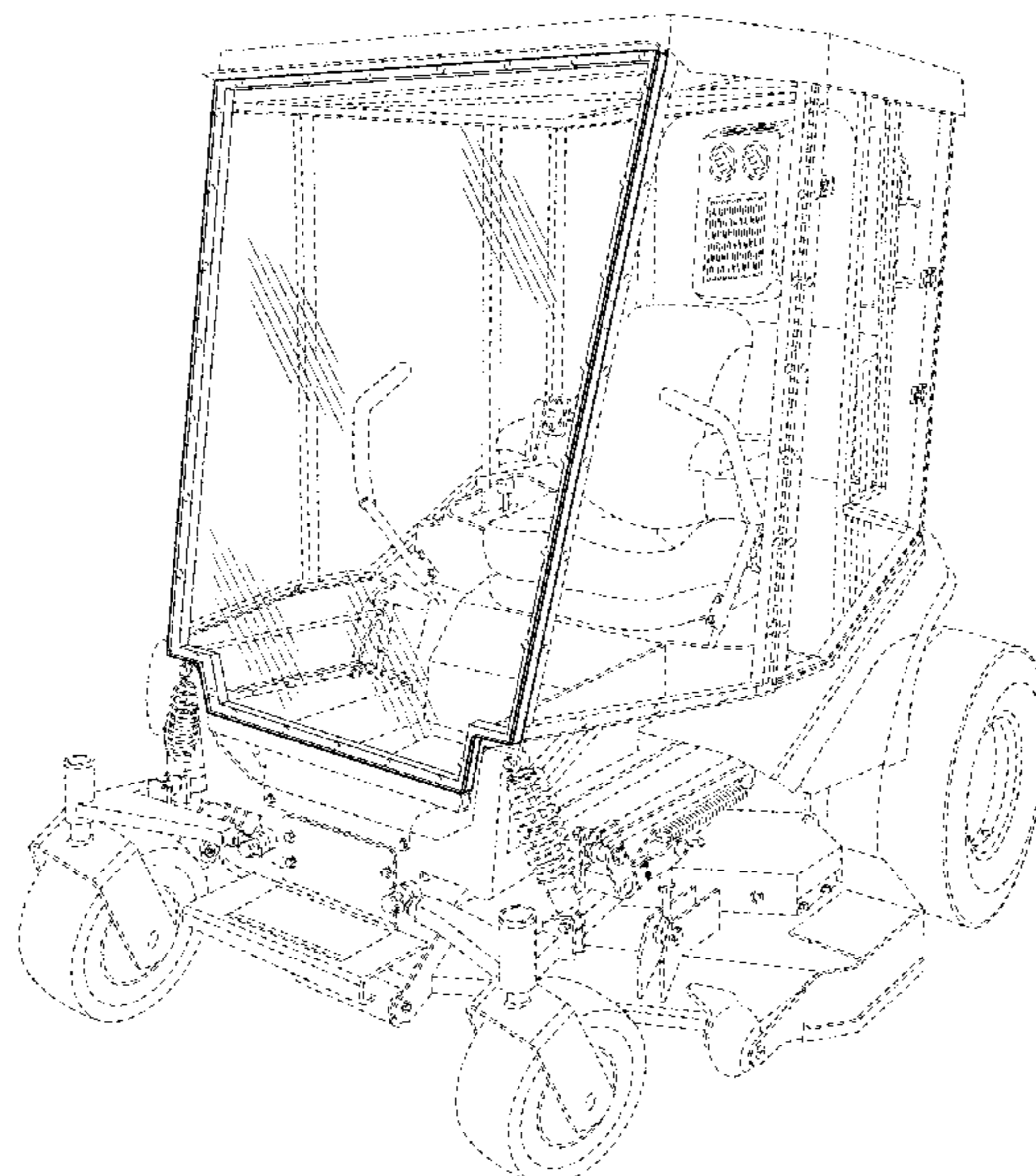
FIG. 1 is a front perspective view of a door showing the claimed design in an environment in which it may be used; FIG. 2 is a front view thereof; FIG. 3 is a back view thereof; FIG. 4 is left side view thereof; FIG. 5 is a right side view thereof; FIG. 6 is a top view thereof; and, FIG. 7 is a bottom view thereof. The dashed broken lines in the figures show portions of the door or environmental subject matter that form no part of the claimed design.

1 Claim, 5 Drawing Sheets

(56) **References Cited**

U.S. PATENT DOCUMENTS

D297,329 S *	8/1988	Monehaie	D15/30
D304,589 S *	11/1989	Lanphere	D15/30
D321,517 S *	11/1991	Katoh	D15/30
5,273,340 A *	12/1993	Nelson	B62D 33/06 296/190.03
5,427,185 A *	6/1995	Seal	E02F 3/7627 172/197
D366,267 S *	1/1996	Lepoix	D15/30
D376,604 S *	12/1996	Johnson	D15/30
5,911,624 A *	6/1999	Stauffer	B60H 1/00378 454/158
D446,225 S *	8/2001	Brandenburg, III	D15/30



(56)

References Cited

U.S. PATENT DOCUMENTS

D714,837 S *	10/2014	Jacobsthal	D15/30
D720,370 S *	12/2014	Carter	D15/30
D749,649 S *	2/2016	McAdam	D15/30
D762,248 S *	7/2016	Steinhardt	D15/30
D774,111 S *	12/2016	Underhill	D15/30
D775,244 S *	12/2016	Hart	D15/30
D780,231 S *	2/2017	Saari	D15/30
D784,425 S *	4/2017	Cooksey	D15/30
D816,733 S *	5/2018	Diebold	D15/30
10,259,287 B2 *	4/2019	Reynolds	B60H 1/00407
2007/0151220 A1 *	7/2007	Bergsten	A01D 42/08 56/2

* cited by examiner

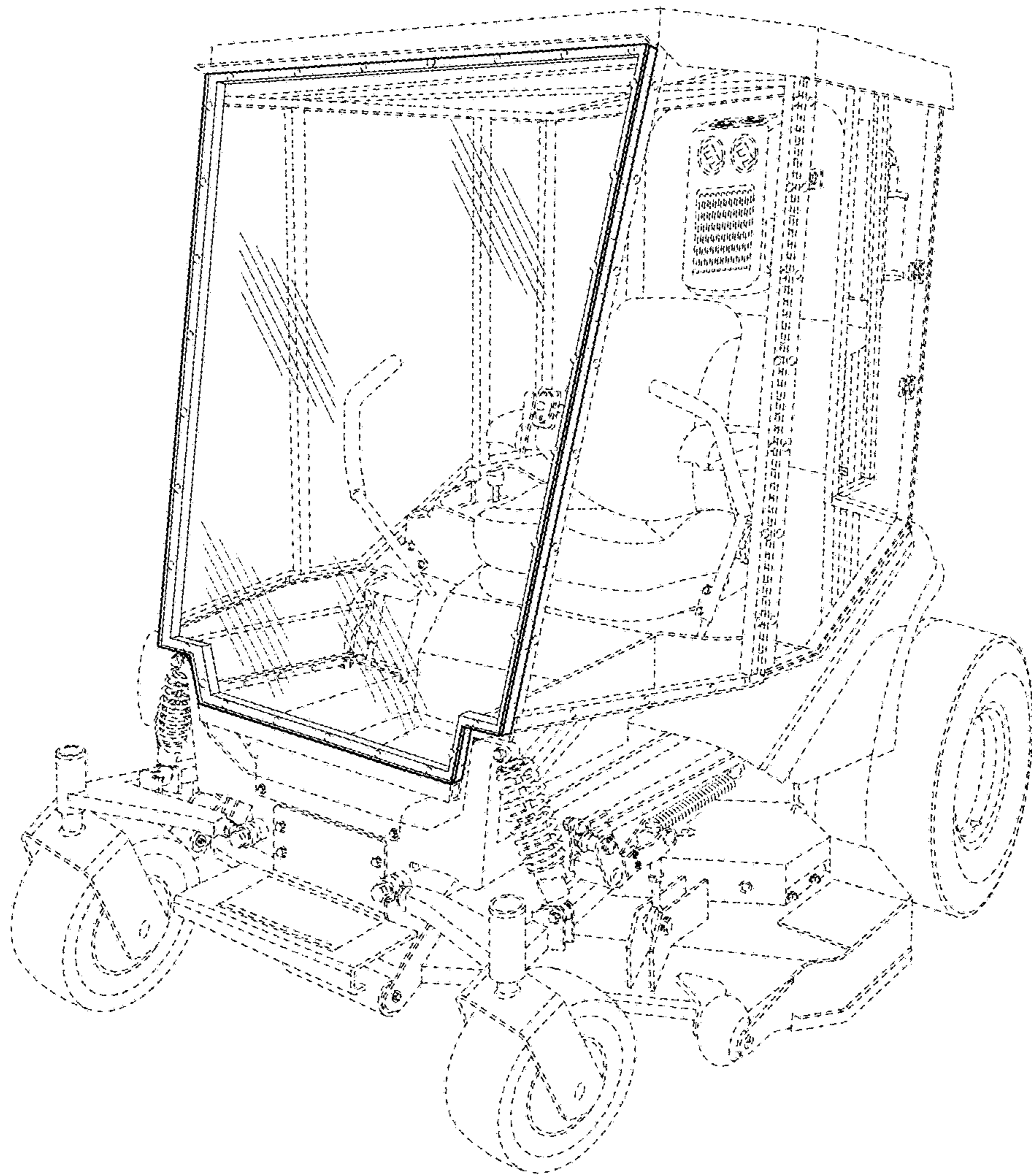


FIG. 1

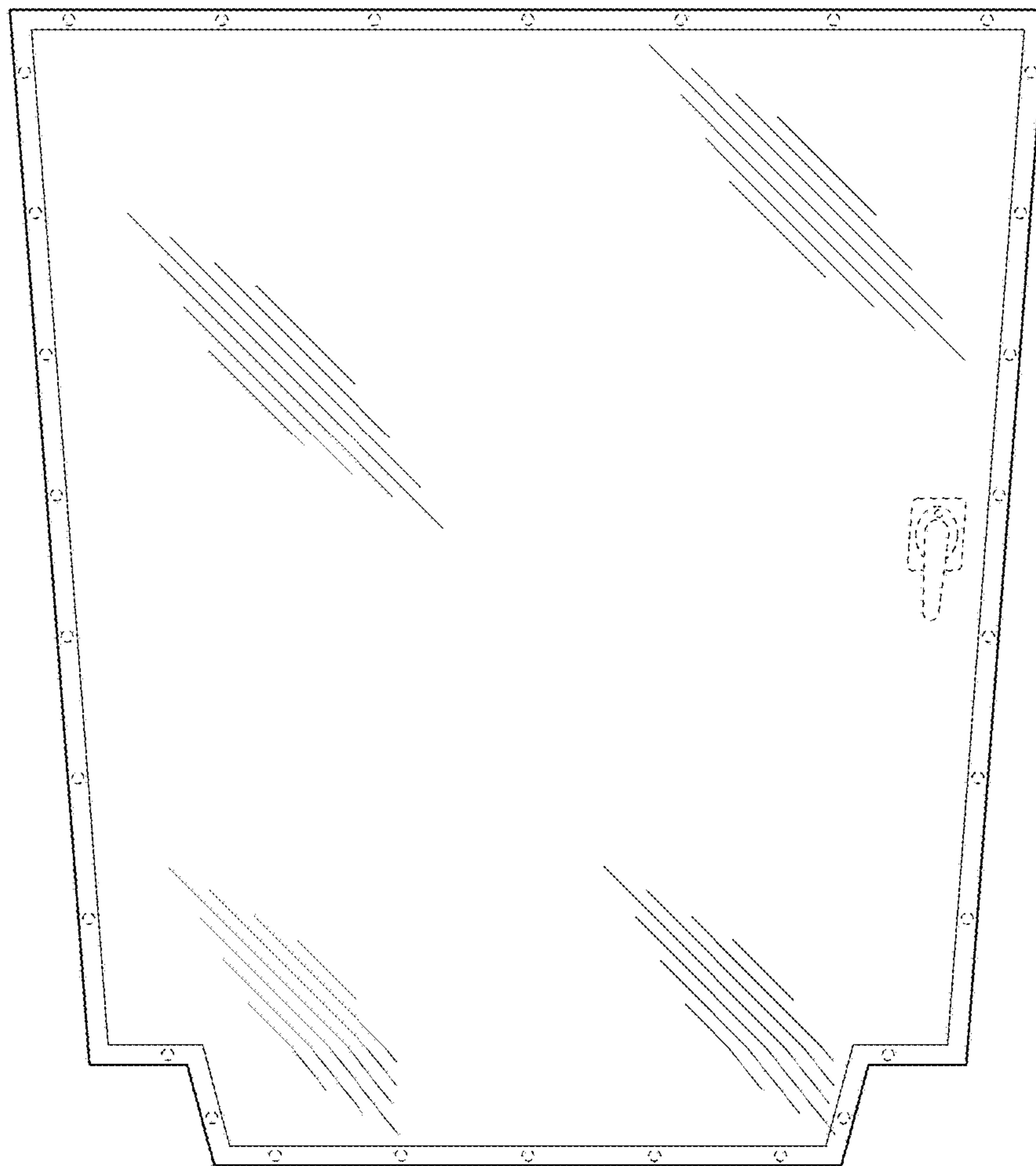


FIG. 2

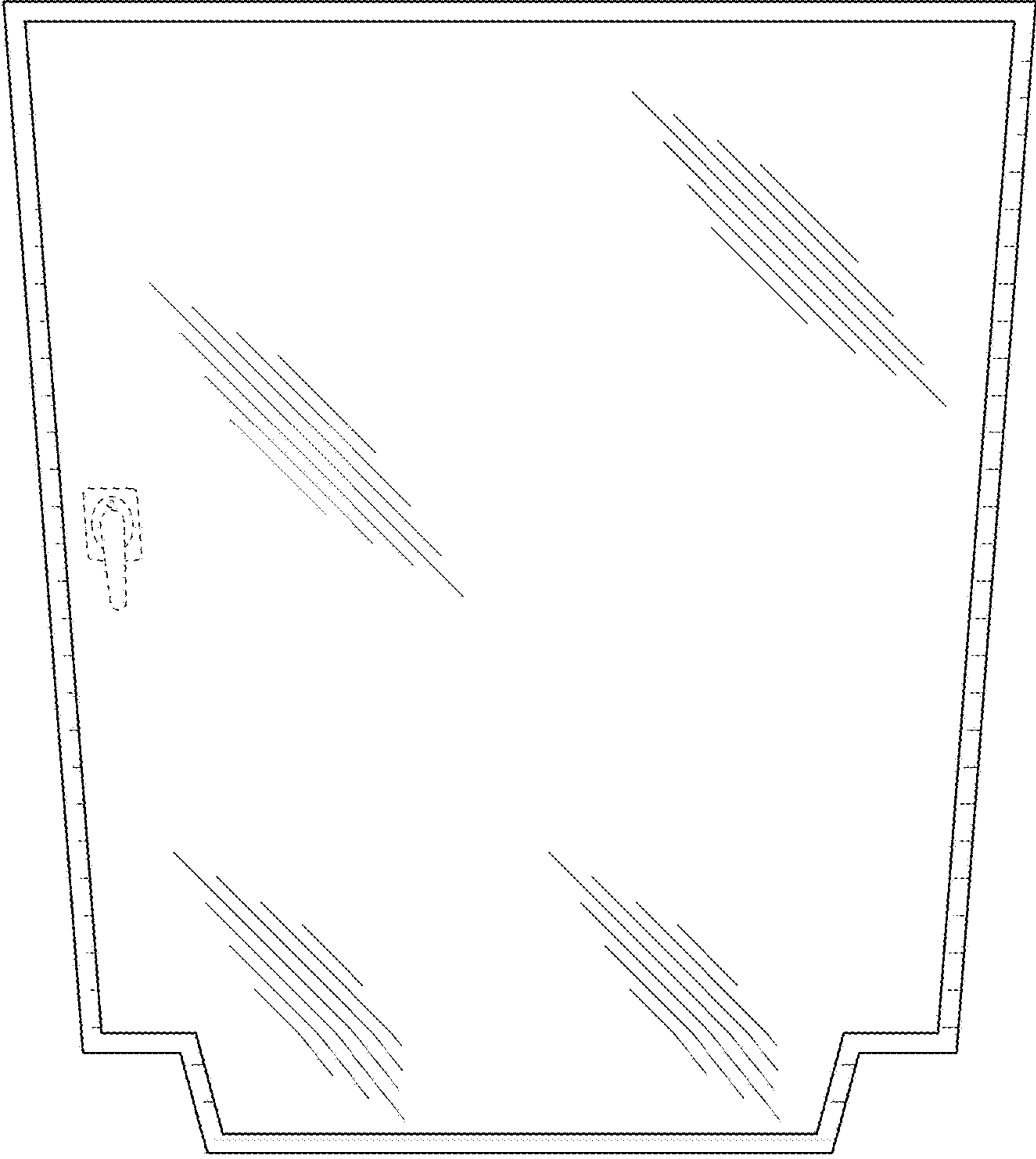


FIG. 3

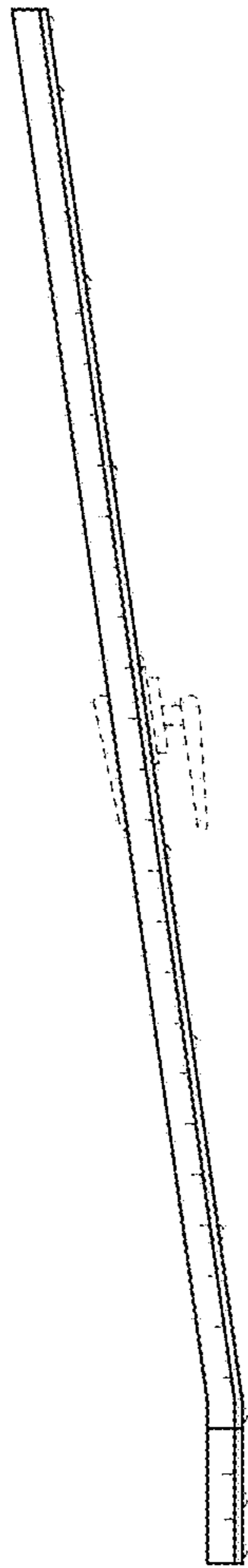


FIG. 4

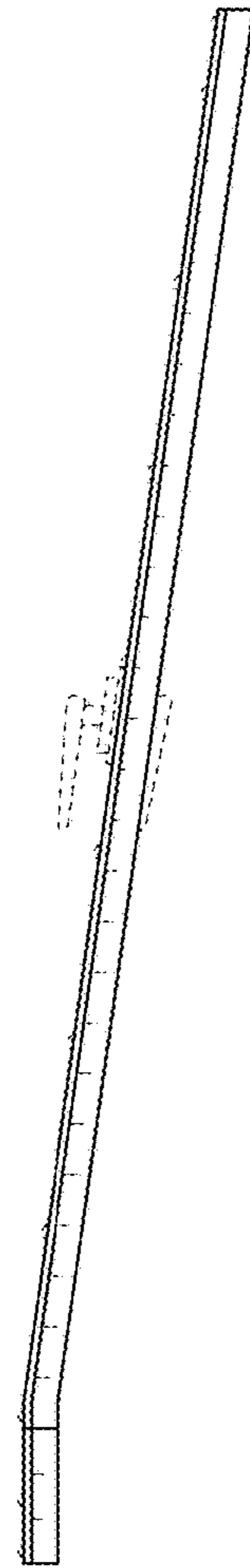


FIG. 5

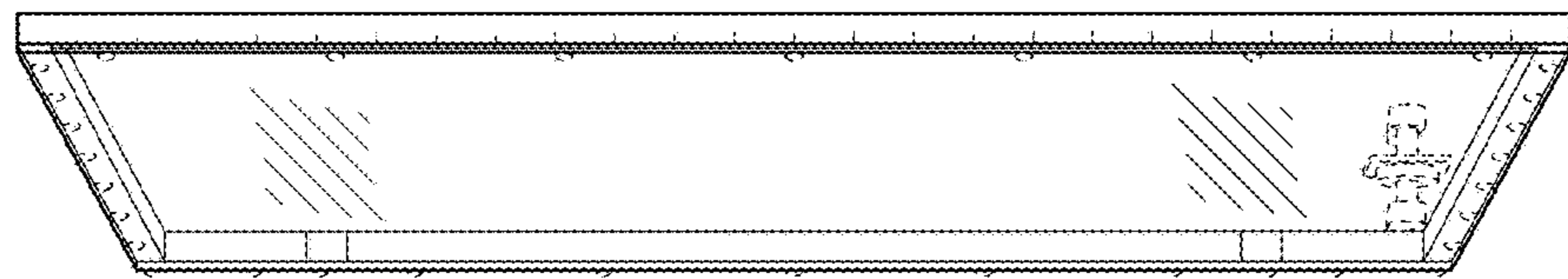


FIG. 6

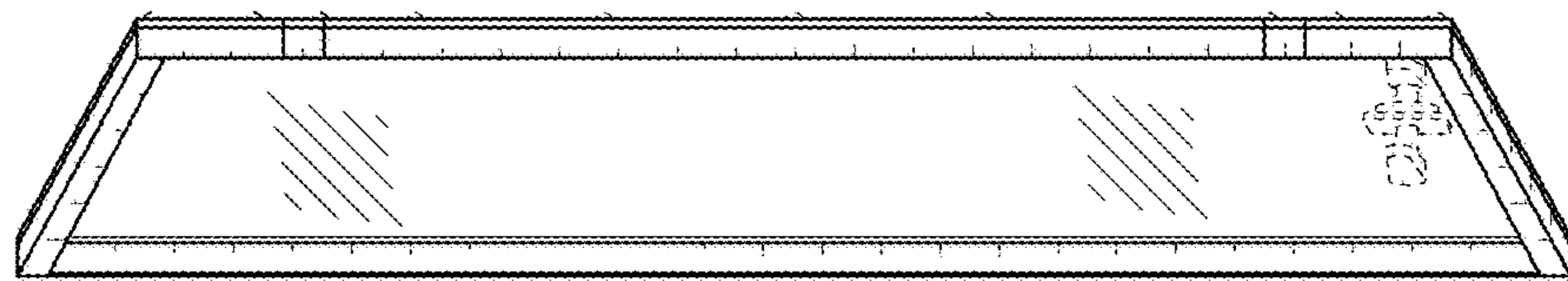


FIG. 7