



US00D863367S

(12) **United States Design Patent** (10) **Patent No.:** **US D863,367 S**
Adamchuk et al. (45) **Date of Patent:** **** Oct. 15, 2019**

(54) **STEERING WHEEL ADAPTER FOR AGRICULTURAL VEHICLE VISION GUIDANCE SYSTEM**

5,121,799 A * 6/1992 Barnes A01B 69/004
104/244.1
5,234,070 A 8/1993 Noah et al.
5,307,611 A 5/1994 Vardeman et al.
5,821,718 A * 10/1998 Shaffer G01M 17/0074
318/587
6,278,918 B1 8/2001 Dickson et al.
6,285,930 B1 9/2001 Dickson et al.
6,385,515 B1 5/2002 Dickson et al.
6,445,983 B1 9/2002 Dickson et al.

(71) Applicant: **THE ROYAL INSTITUTION FOR THE ADVANCEMENT OF LEARNING/MCGILL UNIVERSITY,**
Montreal (CA)

(72) Inventors: **Viacheslav Adamchuk,**
Ste-Anne-de-Bellevue (CA); **Antoine Pouliot,**
Ste-Anne-de-Bellevue (CA); **Trevor Stanhope,**
L'Île-Perrot (CA)

(73) Assignee: **THE ROYAL INSTITUTION FOR THE ADVANCEMENT OF LEARNING/MCGILL UNIVERSITY,**
Montreal (CA)

(**) Term: **15 Years**

(21) Appl. No.: **29/550,818**

(22) Filed: **Jan. 7, 2016**

(30) **Foreign Application Priority Data**

Jul. 8, 2015 (CA) 163371

(51) **LOC (12) Cl.** **15-03**

(52) **U.S. Cl.**
USPC **D15/28**

(58) **Field of Classification Search**
USPC D15/28
CPC A01B 69/001; A01B 69/008; B62D 1/00;
B62D 5/0463; B62D 15/025; G05D
1/0246; G05D 2201/0201
See application file for complete search history.

(56) **References Cited**

U.S. PATENT DOCUMENTS

3,807,252 A 4/1974 Parr
4,967,362 A 10/1990 Schutten et al.

(Continued)
FOREIGN PATENT DOCUMENTS

CN 201070967 6/2008
CN 201571344 9/2010

(Continued)

Primary Examiner — Mark A Goodwin
(74) *Attorney, Agent, or Firm* — Norton Rose Fulbright
Canada

(57) **CLAIM**

We claim the design for a steering wheel adapter for agricultural vehicle vision guidance system, as shown and described.

DESCRIPTION

FIG. 1 is a perspective view of a steering wheel adapter for an agricultural vehicle in accordance with the present design.

FIG. 2 is a front view thereof.

FIG. 3 is a rear view thereof.

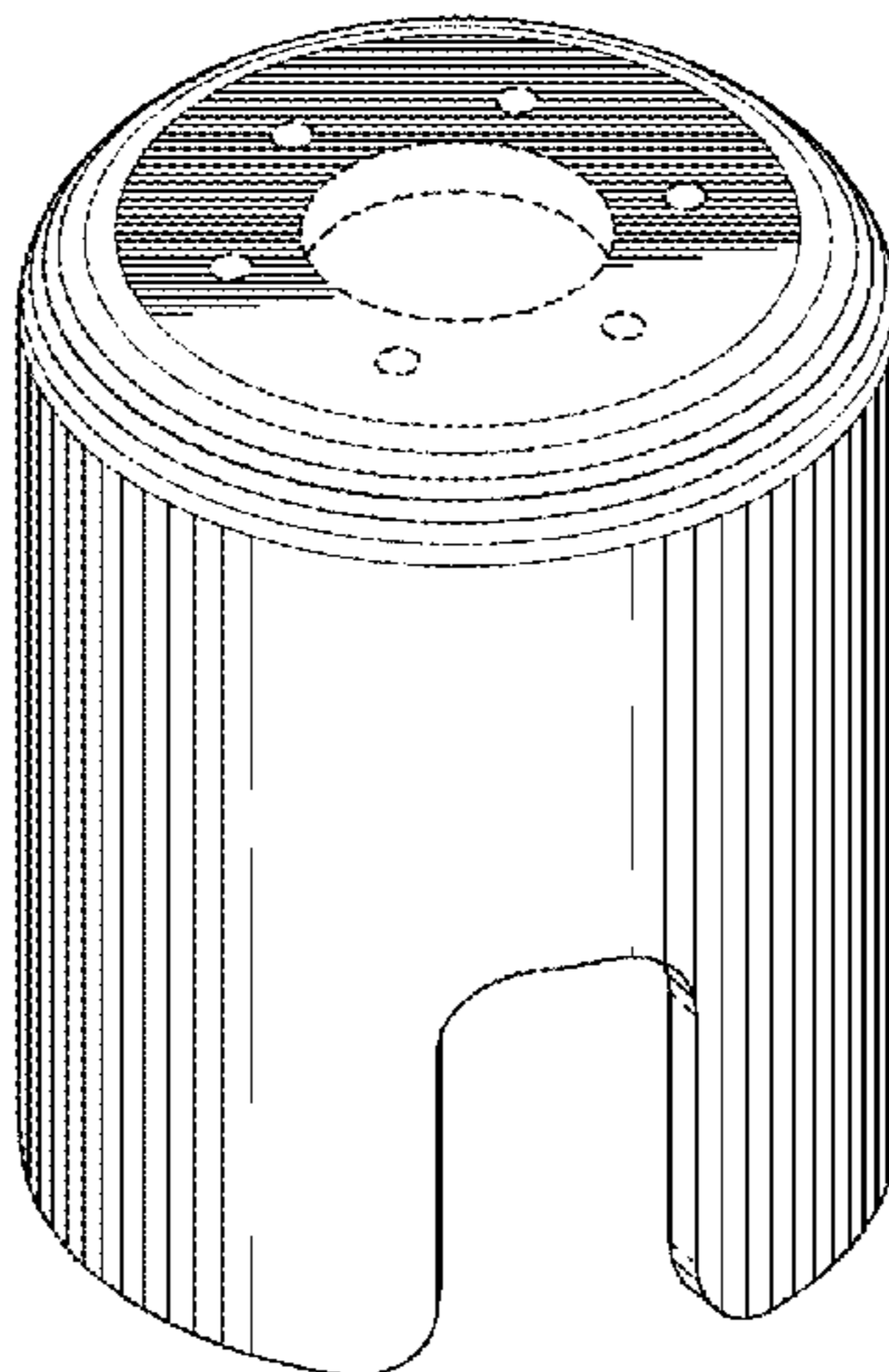
FIG. 4 is a first side view thereof, the opposite second side view being a mirror image thereof.

FIG. 5 is a top view thereof; and,

FIG. 6 is a bottom view thereof.

The broken line portions are included to show environmental and/or unclaimed subject matter only and form no part of the claimed design.

1 Claim, 3 Drawing Sheets



(56)

References Cited

U.S. PATENT DOCUMENTS

6,490,539	B1	12/2002	Dickson et al.
6,686,951	B1	2/2004	Dickson et al.
6,876,920	B1	4/2005	Mailler
7,263,422	B2	8/2007	Lange et al.
7,349,779	B2	3/2008	Nelson
8,230,964	B2	7/2012	Markfort
8,365,634	B2	2/2013	Farwell et al.
8,725,361	B2	5/2014	Kellum
8,839,903	B2	9/2014	Markfort
9,164,508	B1 *	10/2015	Takach, Jr. G05D 1/021
10,104,827	B2 *	10/2018	Adamchuk A01B 69/001
2002/0072850	A1	6/2002	McClure et al.
2003/0187577	A1	10/2003	McClure et al.
2003/0208311	A1	11/2003	McClure et al.
2006/0142936	A1	6/2006	Dix
2009/0204281	A1	8/2009	McClure et al.
2011/0061963	A1	3/2011	Farwell et al.
2011/0088963	A1	4/2011	Markfort
2011/0118926	A1	5/2011	Peake et al.
2013/0191017	A1	7/2013	Peake et al.
2014/0025260	A1	1/2014	McClure
2017/0006759	A1 *	1/2017	Adamchuk A01B 69/001

FOREIGN PATENT DOCUMENTS

CN	202085463	12/2011
CN	202251547	5/2012
CN	102511238	11/2013
JP	2004058974	2/2004
WO	2006019462	2/2006
WO	2006019463	2/2006
WO	2006019540	2/2006

* cited by examiner

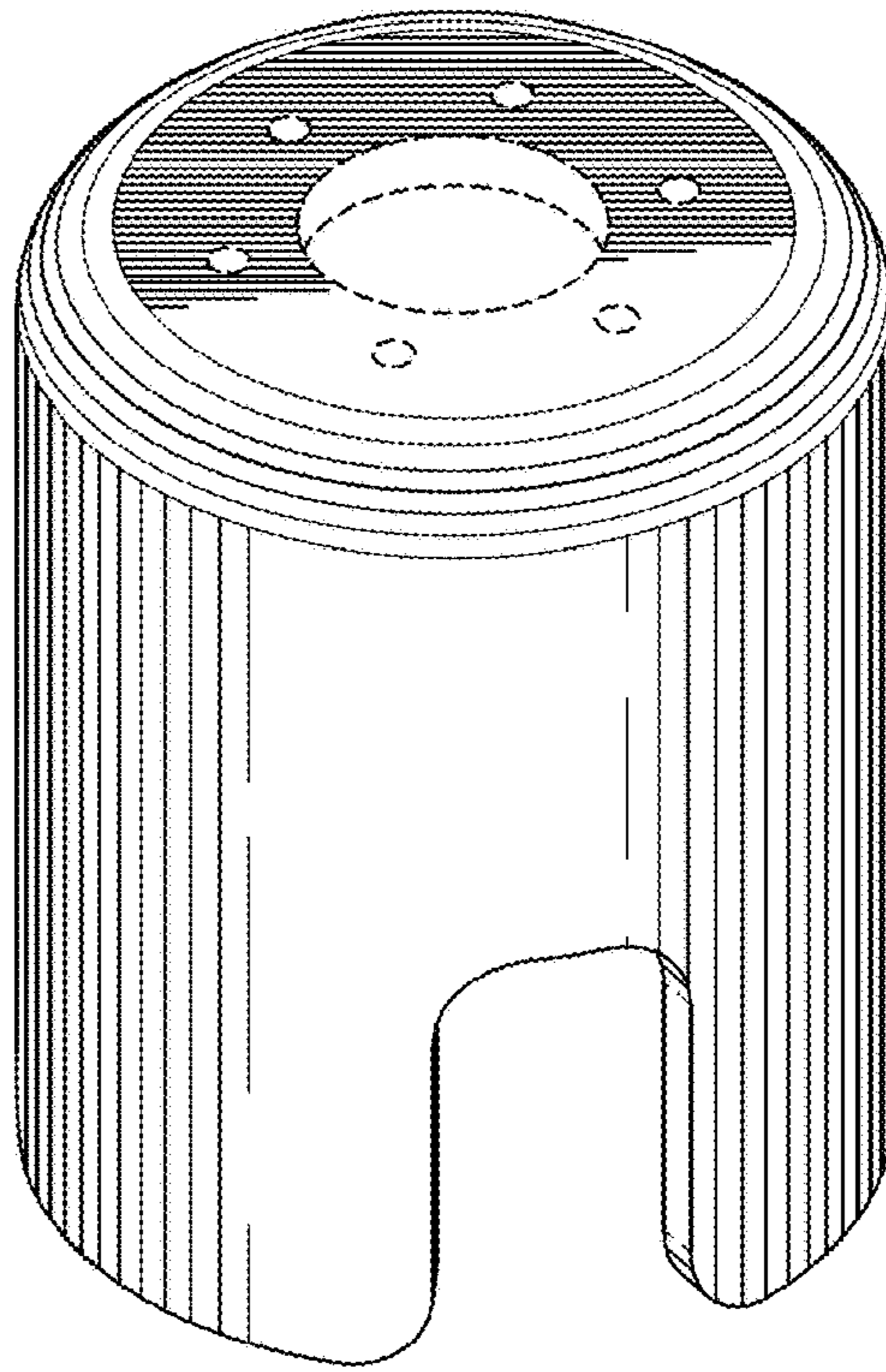


FIG. 1

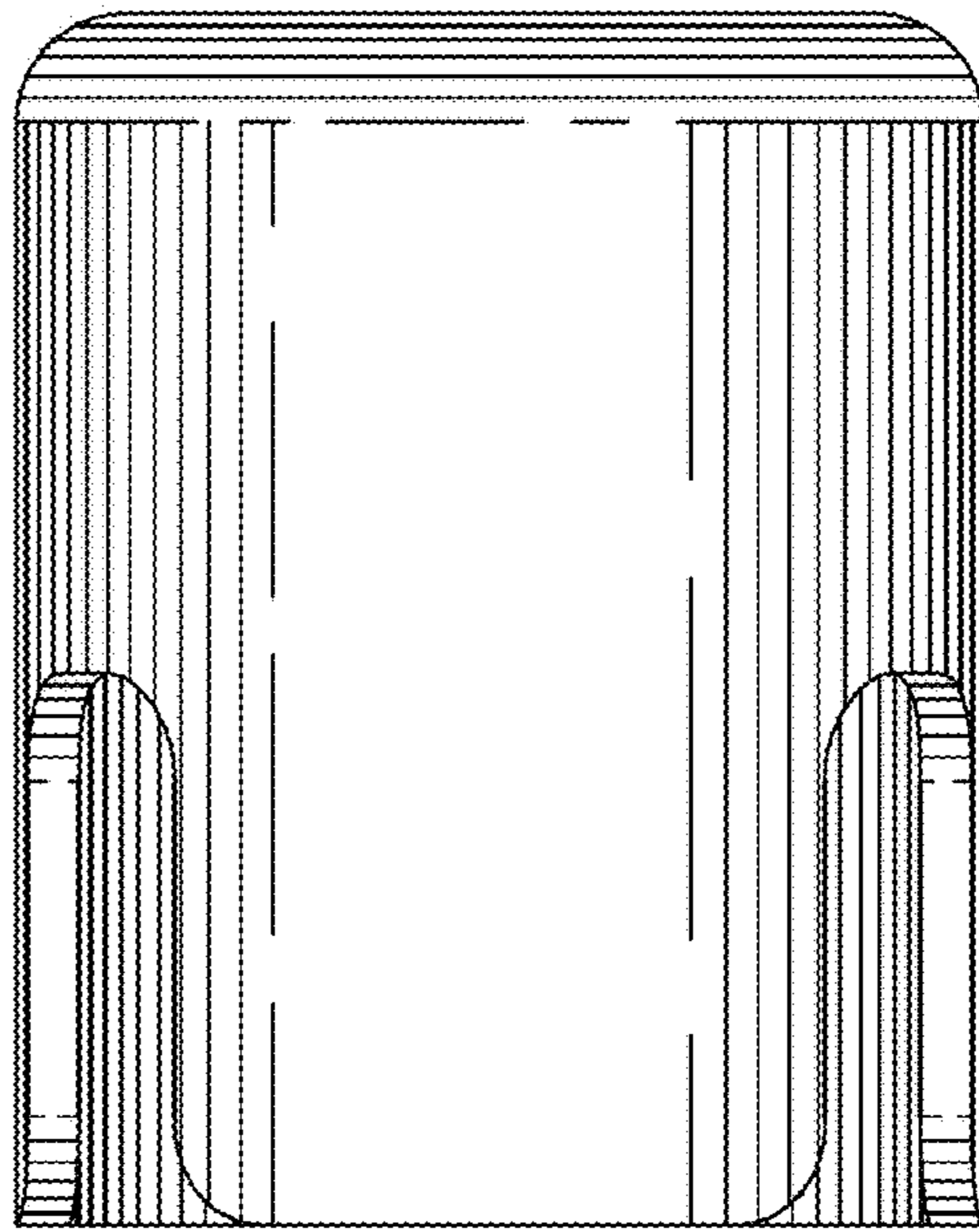


FIG. 2

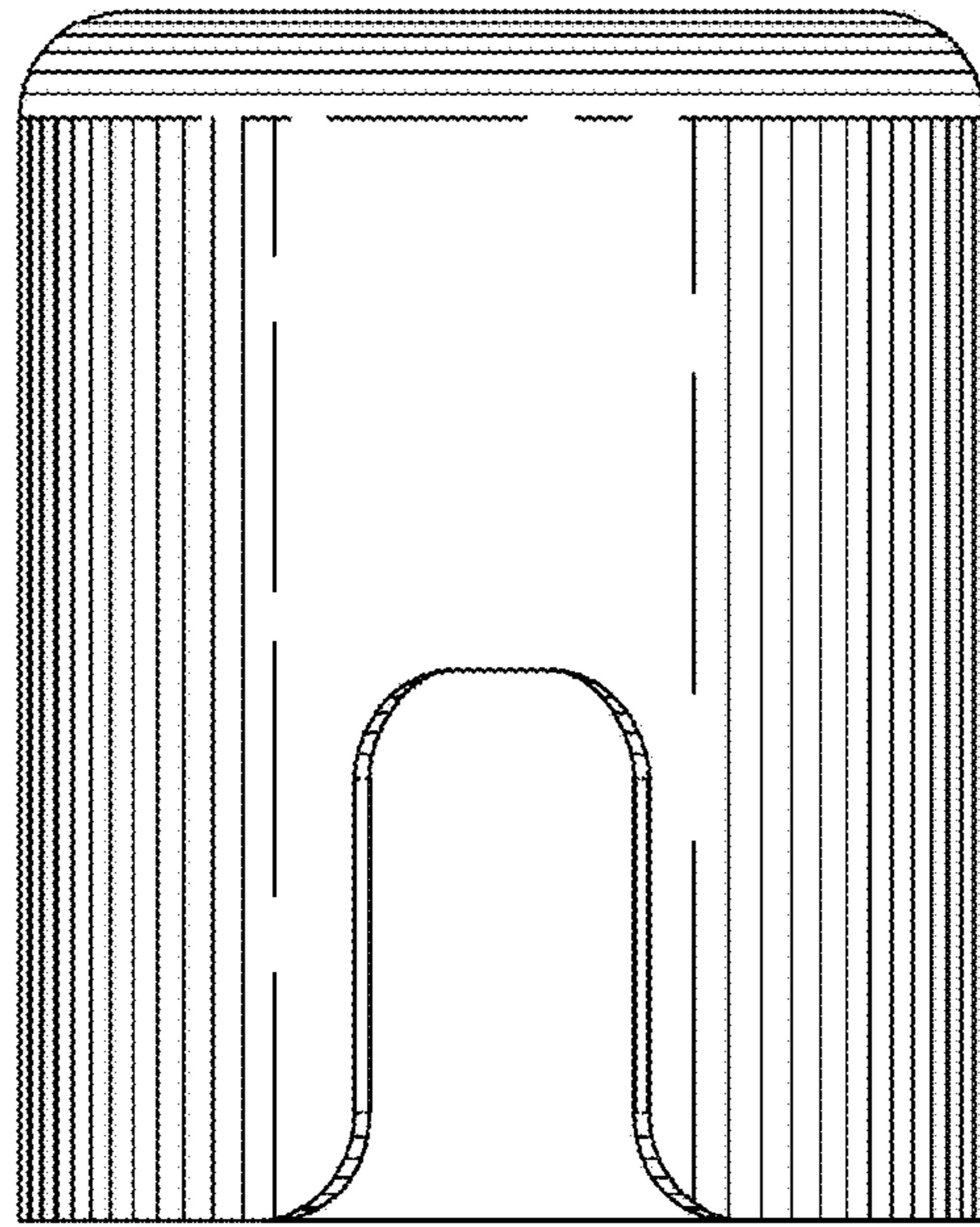


FIG. 3

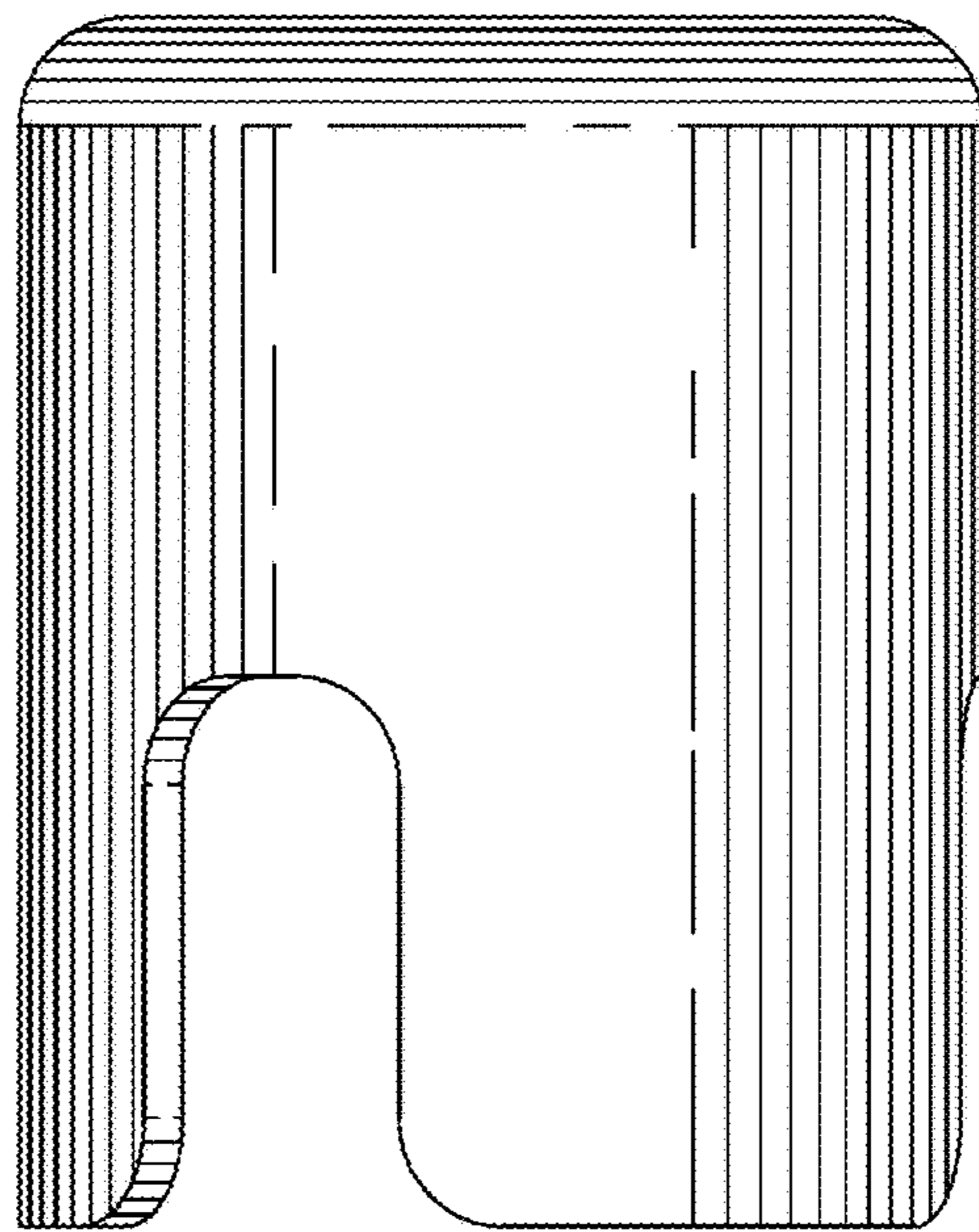


FIG. 4

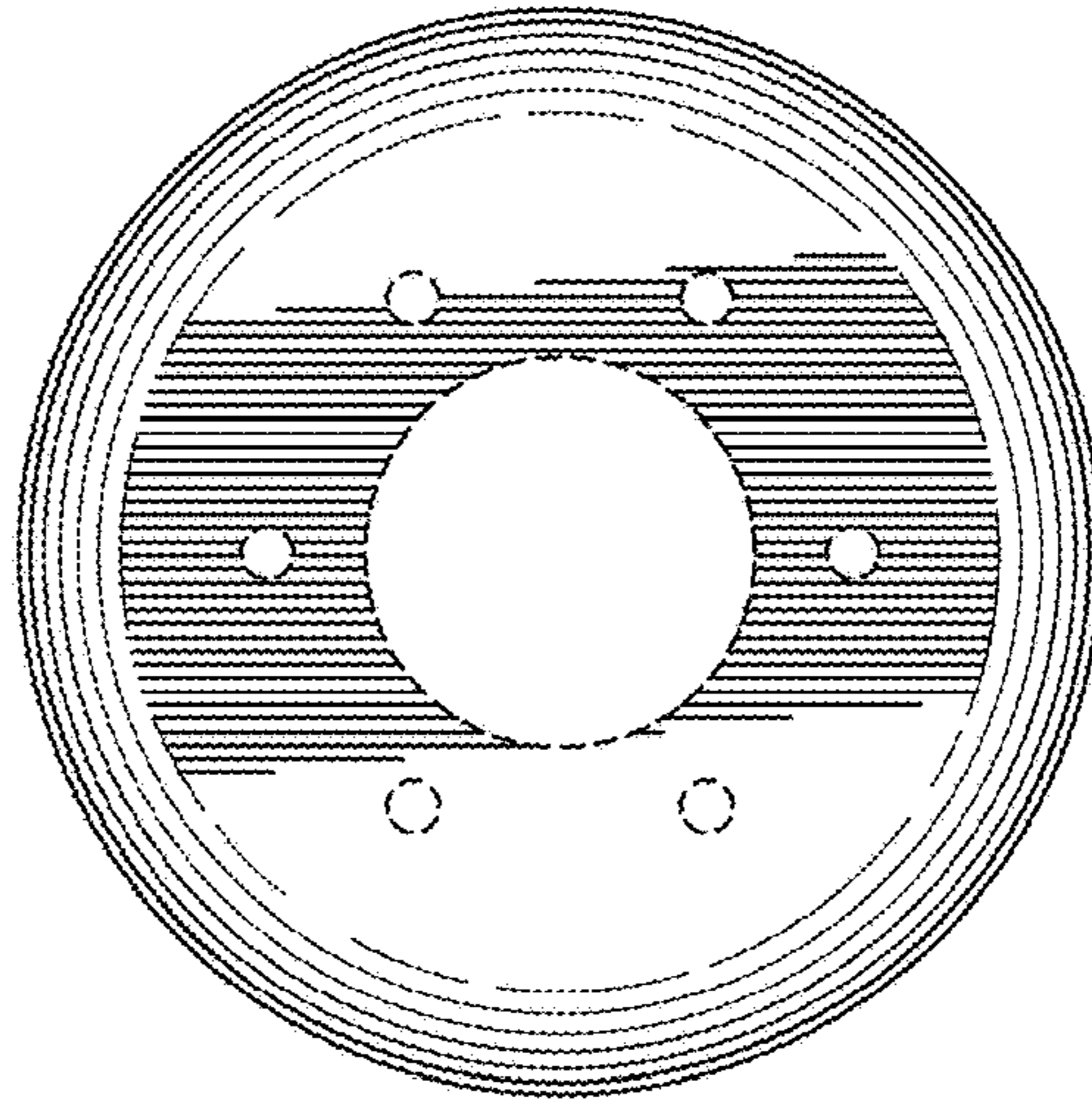


FIG. 5

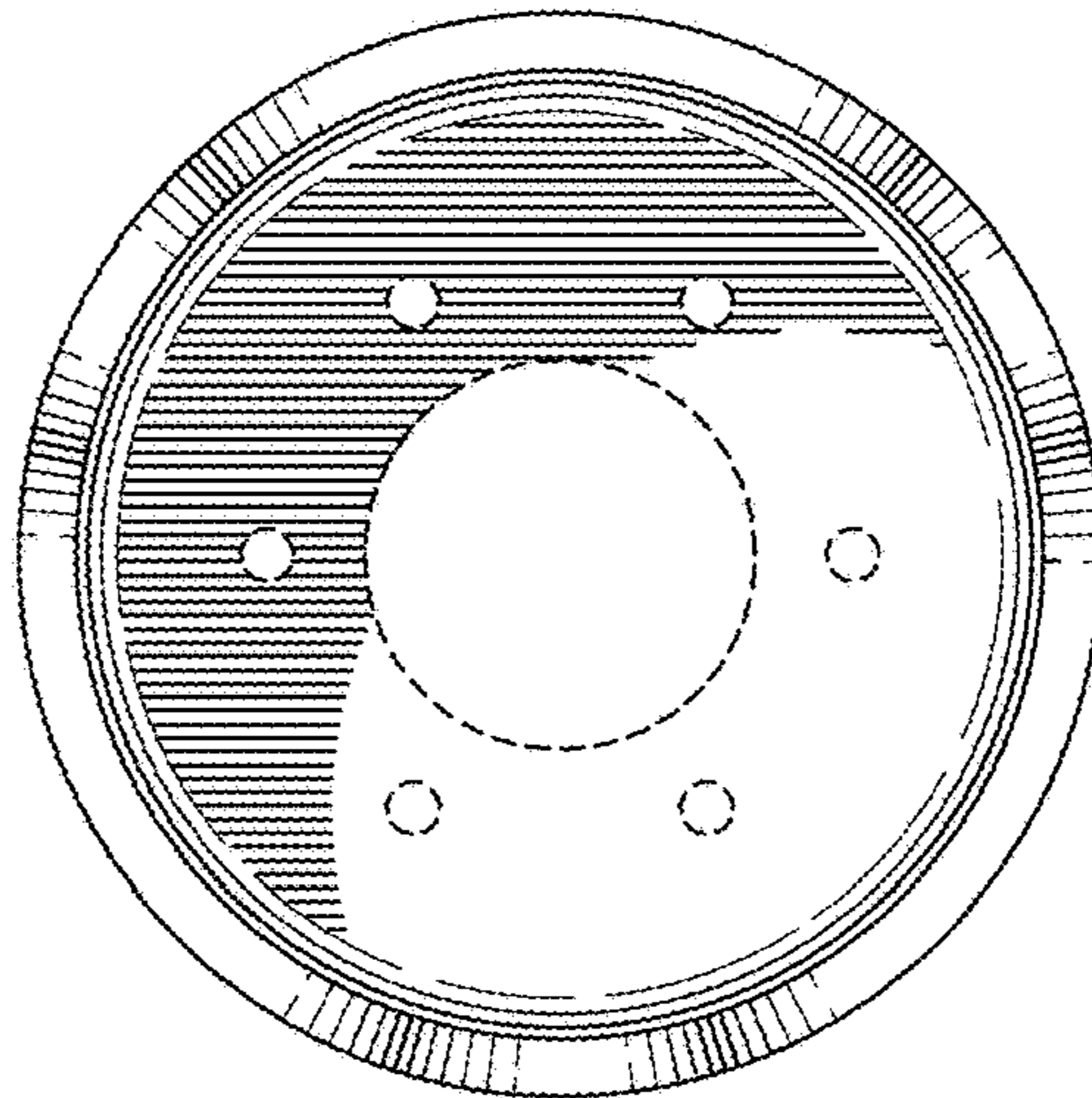


FIG. 6