



US00D863364S

(12) **United States Design Patent**
Sasaki

(10) **Patent No.:** **US D863,364 S**

(45) **Date of Patent:** **** Oct. 15, 2019**

(54) **WHEEL FOR VEHICLES, IN PARTICULAR A
WHEEL FOR RIDING MOWERS**

(71) Applicant: **Kubota Corporation**, Osaka, Osaka
(JP)

(72) Inventor: **Wataru Sasaki**, Sakai (JP)

(73) Assignee: **Kubota Corporation**, Osaka (JP)

(**) Term: **15 Years**

(21) Appl. No.: **29/655,182**

(22) Filed: **Jun. 29, 2018**

(51) **LOC (12) Cl.** **15-03**

(52) **U.S. Cl.**
USPC **D15/17; D12/204**

(58) **Field of Classification Search**
USPC D15/10-31; D12/204, 207, 208-212, 400
CPC B60B 7/04; B60B 7/01; B60B 7/06; B60B
7/00; B60B 7/02; B60B 3/02; B60B 3/04;
B60B 3/06; B60B 3/10; B60B 1/00;
B60B 1/08; B60B 1/10; B60B 1/12
See application file for complete search history.

(56) **References Cited**

U.S. PATENT DOCUMENTS

D770,352 S * 11/2016 Sze D12/209
D773,974 S * 12/2016 DeGeorge D12/208

D774,440 S * 12/2016 Johnson D12/211
D795,776 S * 8/2017 Taylor D12/211
D800,045 S * 10/2017 Taylor D12/211
2007/0029118 A1 * 2/2007 Acharya B60K 7/0015
180/53.4
2009/0033054 A1 * 2/2009 Foster A01D 34/64
280/124.1

* cited by examiner

Primary Examiner — Mark A Goodwin

(74) *Attorney, Agent, or Firm* — Masuvalley & Partners

(57) **CLAIM**

The ornamental design for a wheel for vehicles, in particular a wheel for riding mowers, as shown and described.

DESCRIPTION

The file of this patent contains at least one drawing/photograph executed in color. Copies of this patent with color drawing(s)/photograph(s) will be provided by the Office upon request and payment of the necessary fee.

FIG. 1 is a front elevation view of a wheel for vehicles, in particular a wheel for riding mowers;
FIG. 2 is a back elevation view thereof;
FIG. 3 is a top plan view thereof;
FIG. 4 is a bottom plan view thereof;
FIG. 5 is a right side elevation view thereof;
FIG. 6 is a left side elevation view thereof; and,
FIG. 7 is a perspective view thereof.

1 Claim, 7 Drawing Sheets
(7 of 7 Drawing Sheet(s) Filed in Color)

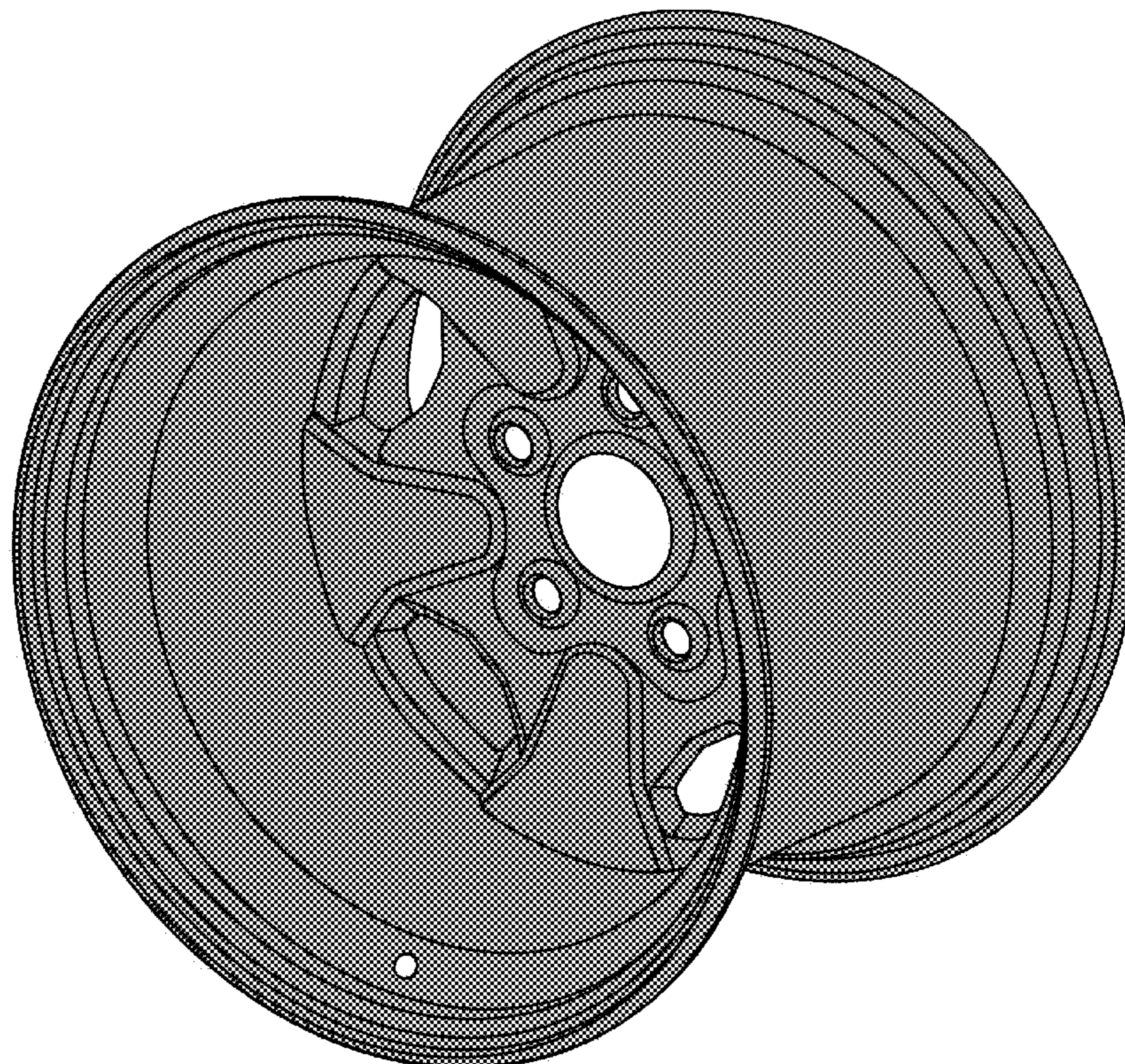


FIG. 1

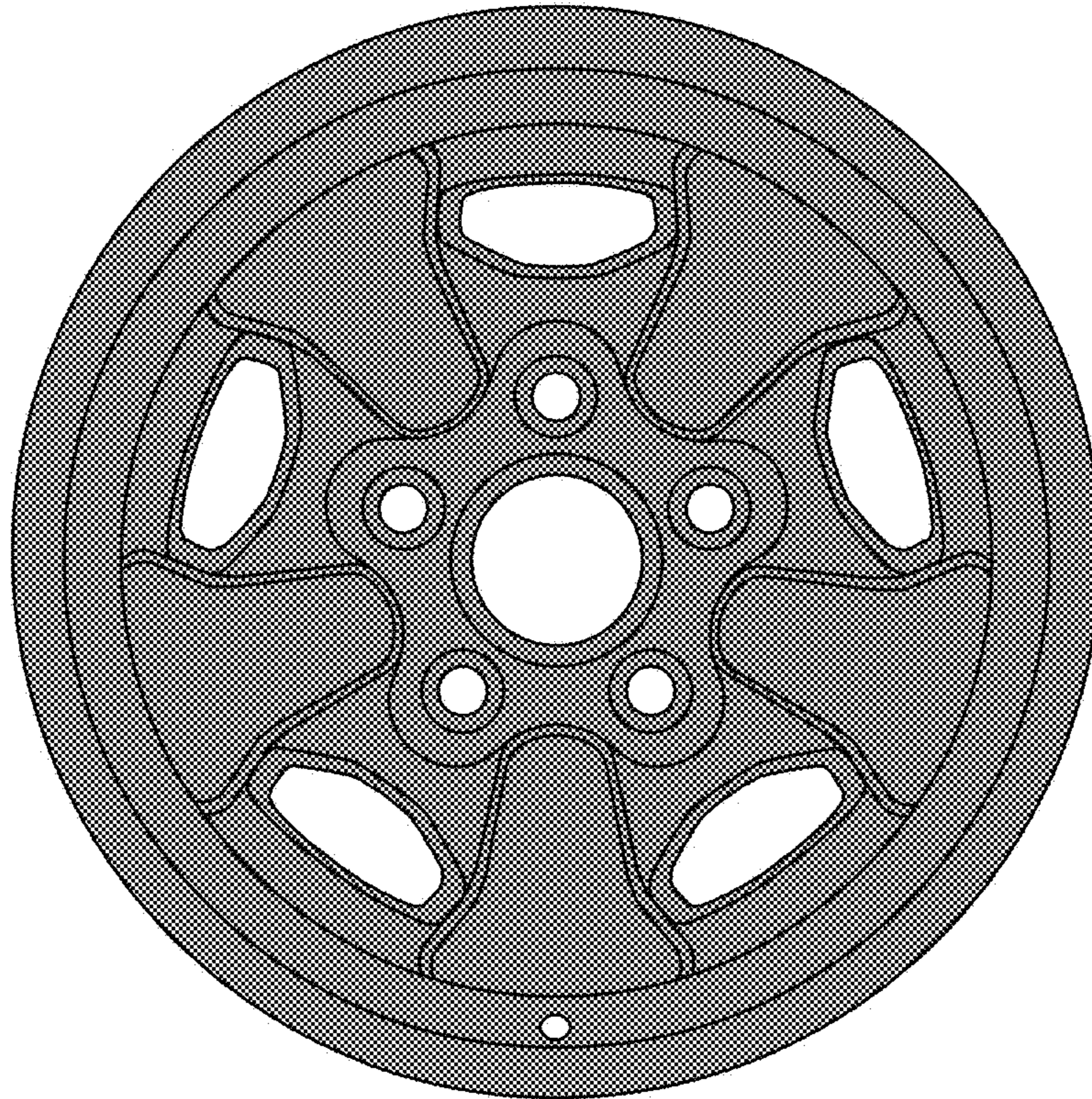


FIG. 2

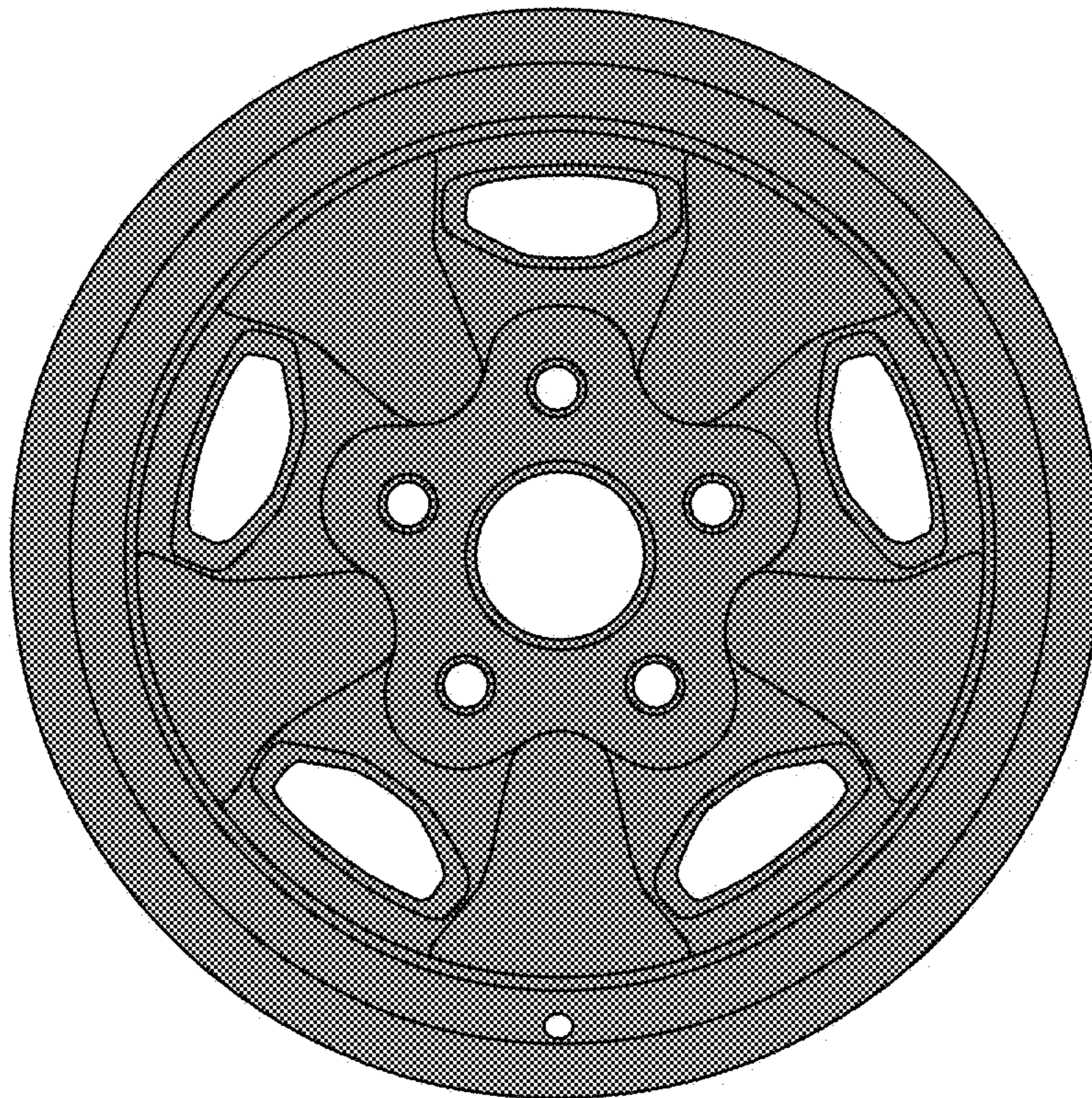


FIG. 3

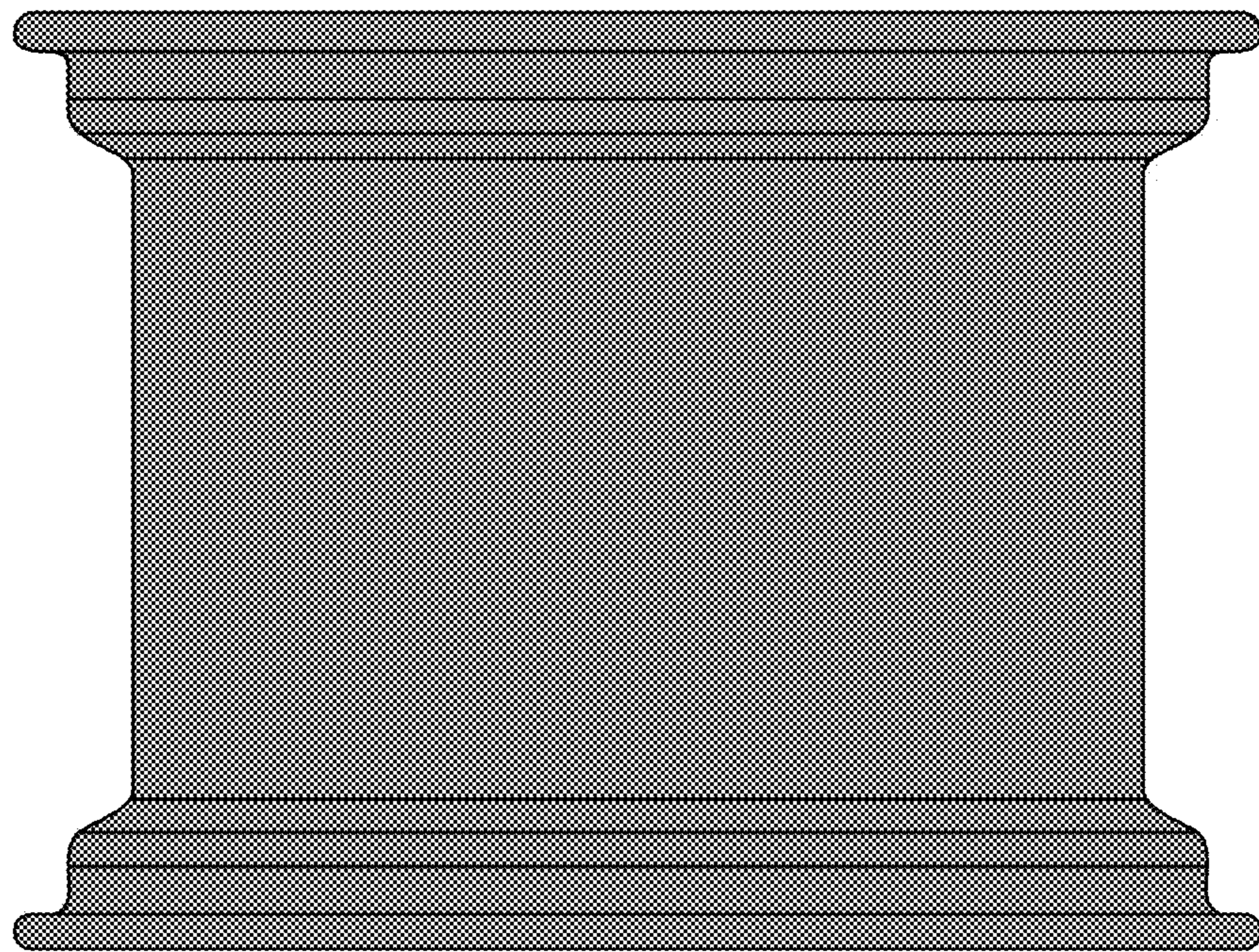


FIG. 4

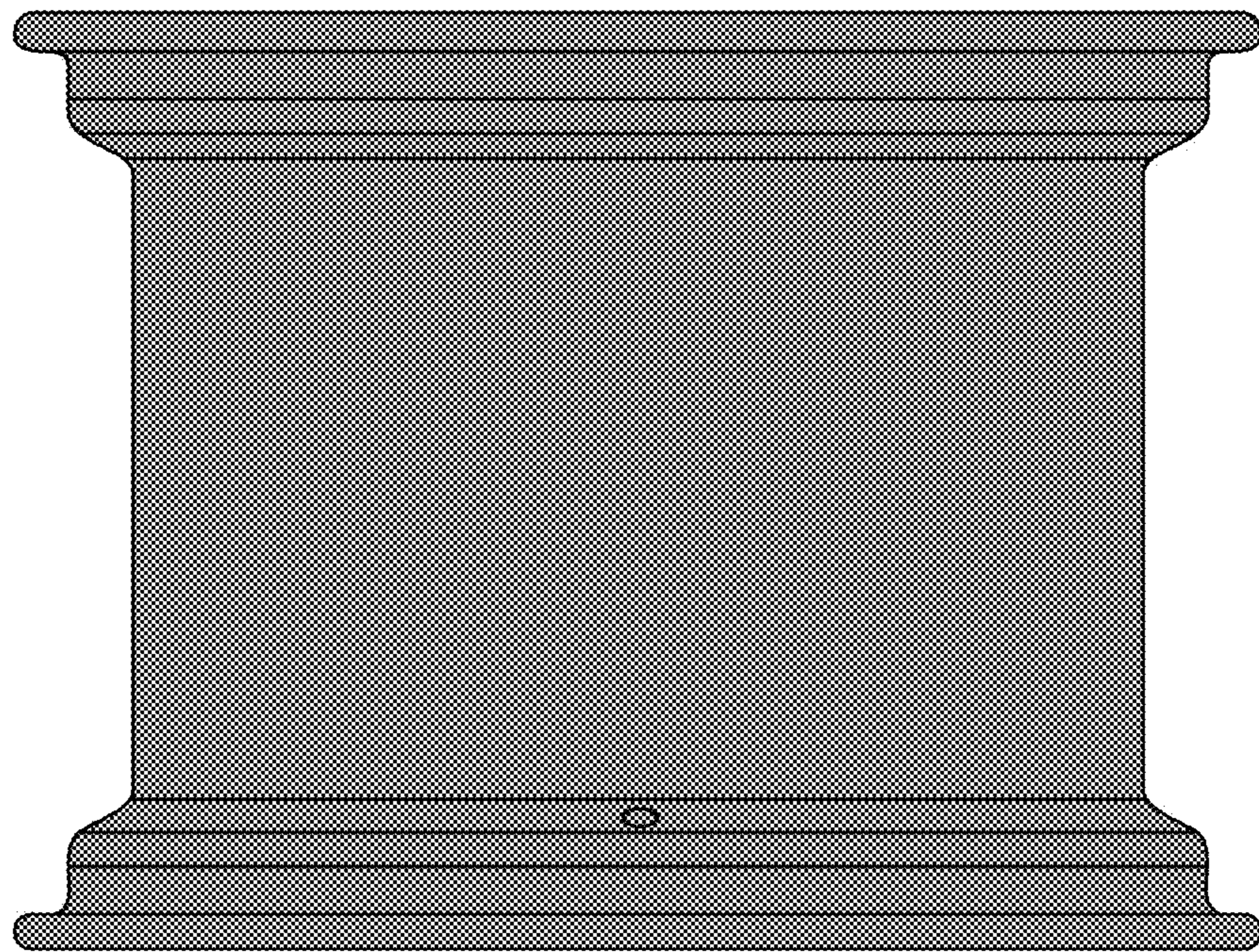


FIG. 5

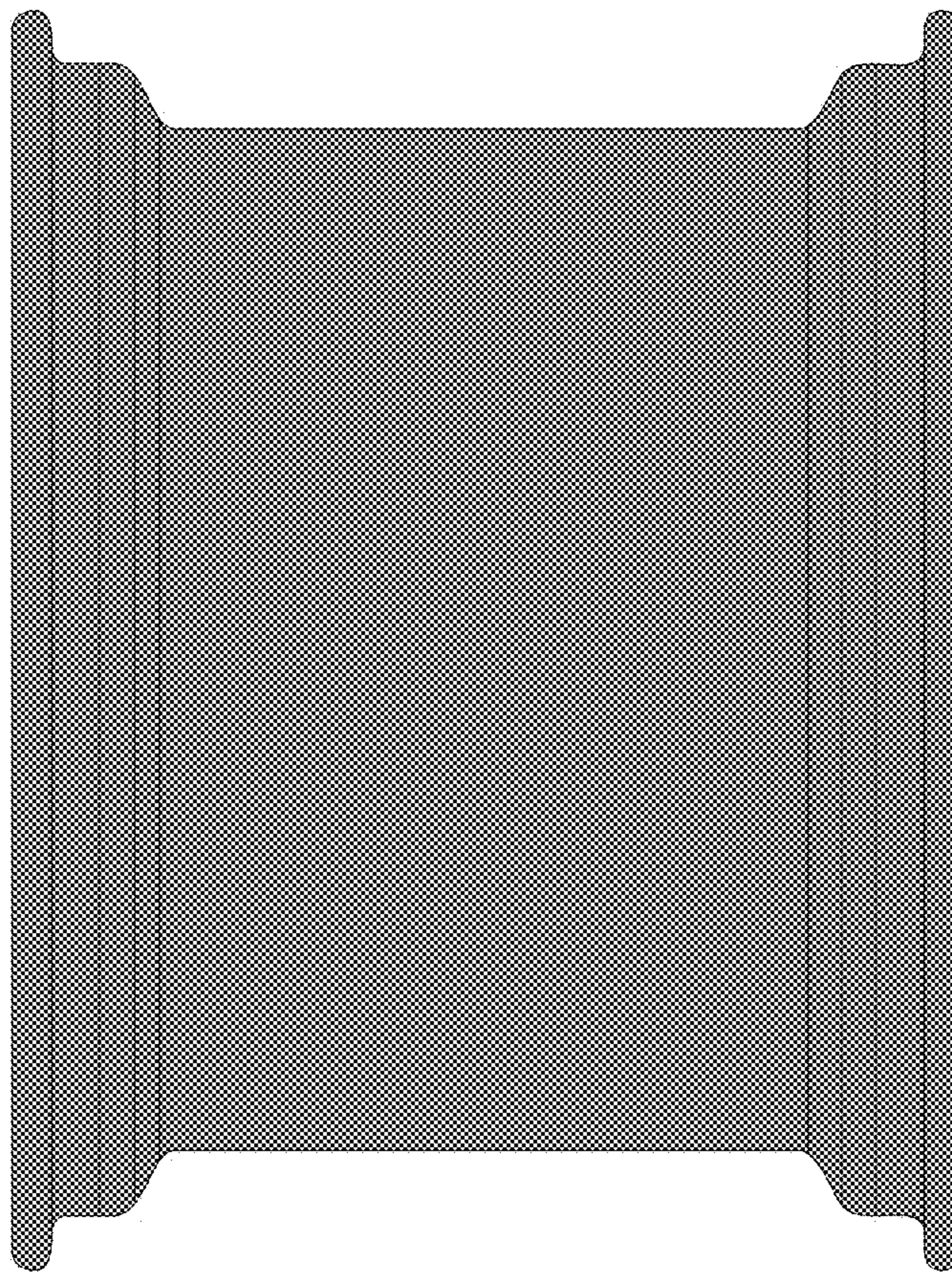


FIG. 6

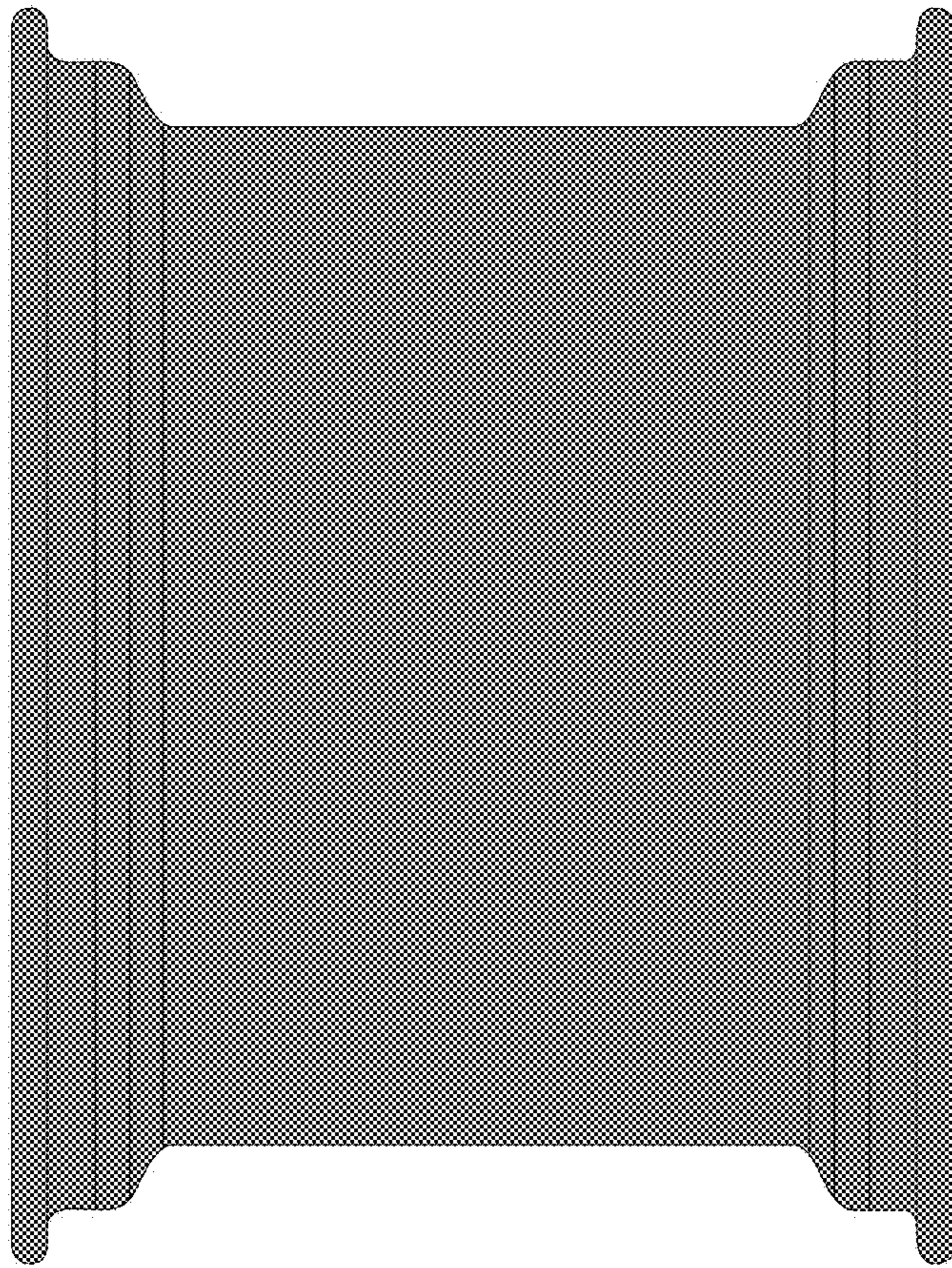


FIG. 7

