



US00D863362S

(12) **United States Design Patent** (10) **Patent No.:** **US D863,362 S**
Shurdim (45) **Date of Patent:** **** Oct. 15, 2019**

(54) **INTAKE MANIFOLD**

(71) Applicant: **Oliver Matt Shurdim**, Anaheim, CA (US)

(72) Inventor: **Oliver Matt Shurdim**, Anaheim, CA (US)

(**) Term: **15 Years**

(21) Appl. No.: **29/640,201**

(22) Filed: **Mar. 12, 2018**

Related U.S. Application Data

(63) Continuation-in-part of application No. 15/688,798, filed on Aug. 28, 2017, now Pat. No. 10,161,364, which is a continuation-in-part of application No. 15/382,512, filed on Dec. 16, 2016, now abandoned, application No. 29/640,201, which is a continuation-in-part of application No. 29/585,343, filed on Nov. 22, 2016, now Pat. No. Des. 839,311.

(51) **LOC (12) Cl.** **15-01**

(52) **U.S. Cl.**
USPC **D15/5**

(58) **Field of Classification Search**

USPC D15/1-5
CPC F02M 35/10091; F02M 35/10222; F02M 35/10295; F02M 35/10321; F02M 35/10262; F02M 35/104; F02M 35/10354; F02M 35/116; F02M 35/10052; F02M 35/10078; F02M 35/10144; F02M 35/10347; F02M 26/32; F02M 26/41; F02M 26/53; F02C 7/04; F04D 29/4213; F04D 29/441; F04D 29/541; F04D 29/667; F02B 75/22

See application file for complete search history.

(56) **References Cited**

U.S. PATENT DOCUMENTS

D444,479 S * 7/2001 Pace D15/5
6,513,507 B2 * 2/2003 Balekai F02B 75/22
123/568.12

D541,302 S * 4/2007 Martin, III D15/5
2002/0023630 A1 * 2/2002 Balekai F02B 75/22
123/568.12
2007/0186546 A1 * 8/2007 Midgley F01N 3/2853
60/302

(Continued)

Primary Examiner — T Chase Nelson

Assistant Examiner — Ania Aman

(74) *Attorney, Agent, or Firm* — Cionca IP Law P.C.;
Marin Cionca

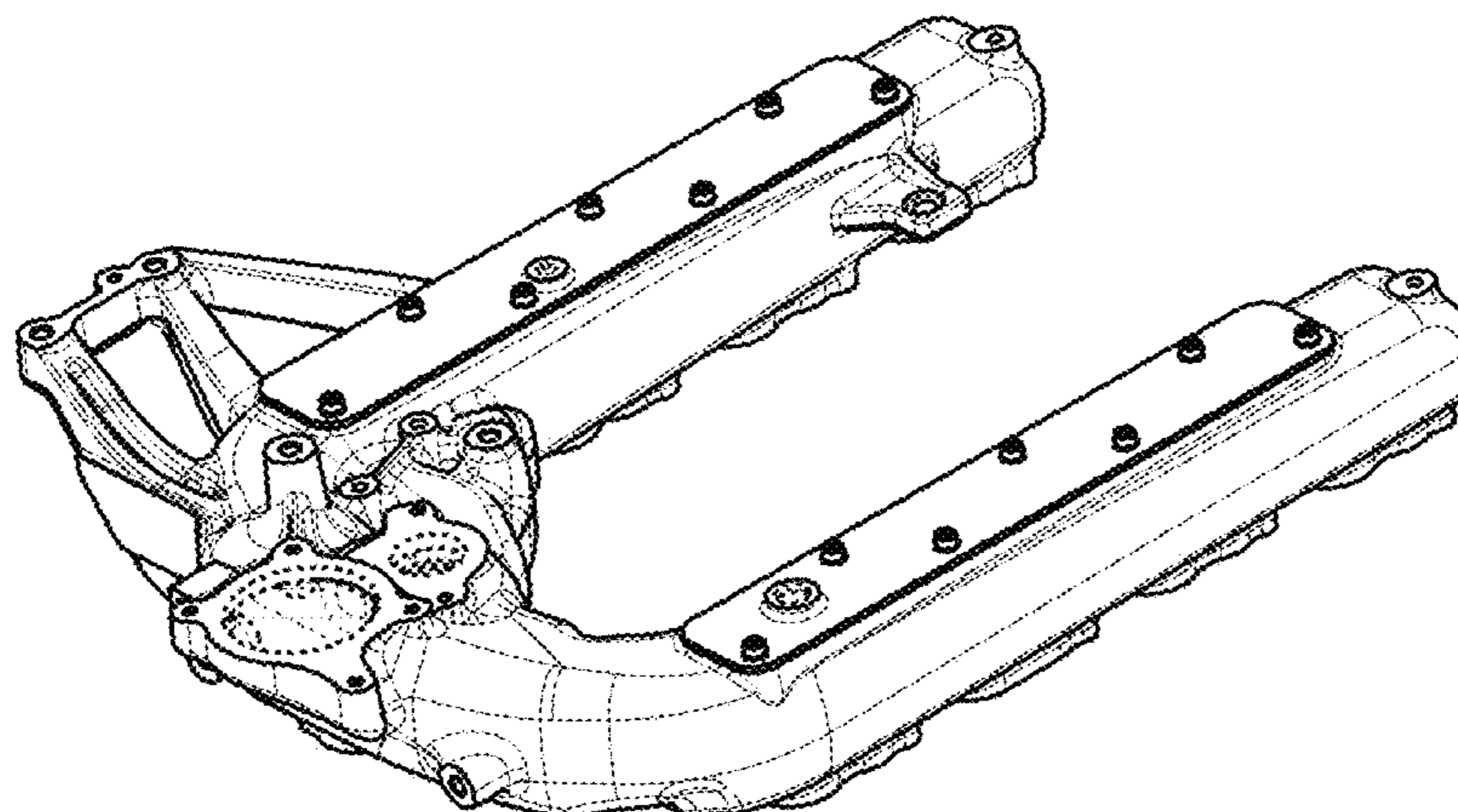
(57) **CLAIM**

The ornamental design for an intake manifold, as shown and described.

DESCRIPTION

FIG. 1 is a top plan view of an intake manifold showing the new design;
FIG. 2 is bottom plan view of thereof;
FIG. 3 is a front elevation view thereof;
FIG. 4 is an exploded front elevation view thereof;
FIG. 5 is a rear elevation view thereof;
FIG. 6 is an exploded rear elevation view thereof;
FIG. 7 is a top left perspective view thereof;
FIG. 8 is an exploded top left perspective view thereof;
FIG. 9 is a left side elevation view thereof;
FIG. 10 is an exploded left side elevation view thereof;
FIG. 11 is a top right perspective view thereof;
FIG. 12 is an exploded top right perspective view thereof;
FIG. 13 is a bottom right perspective view thereof;
FIG. 14 is an exploded bottom right perspective view thereof;
FIG. 15 is a bottom left perspective view thereof; and,
FIG. 16 is an exploded bottom left perspective view thereof.
The broken lines depict subject matter that forms no part of the claimed design.

1 Claim, 10 Drawing Sheets



(56)

References Cited

U.S. PATENT DOCUMENTS

2017/0096975 A1* 4/2017 Shurdim F02M 35/104

* cited by examiner

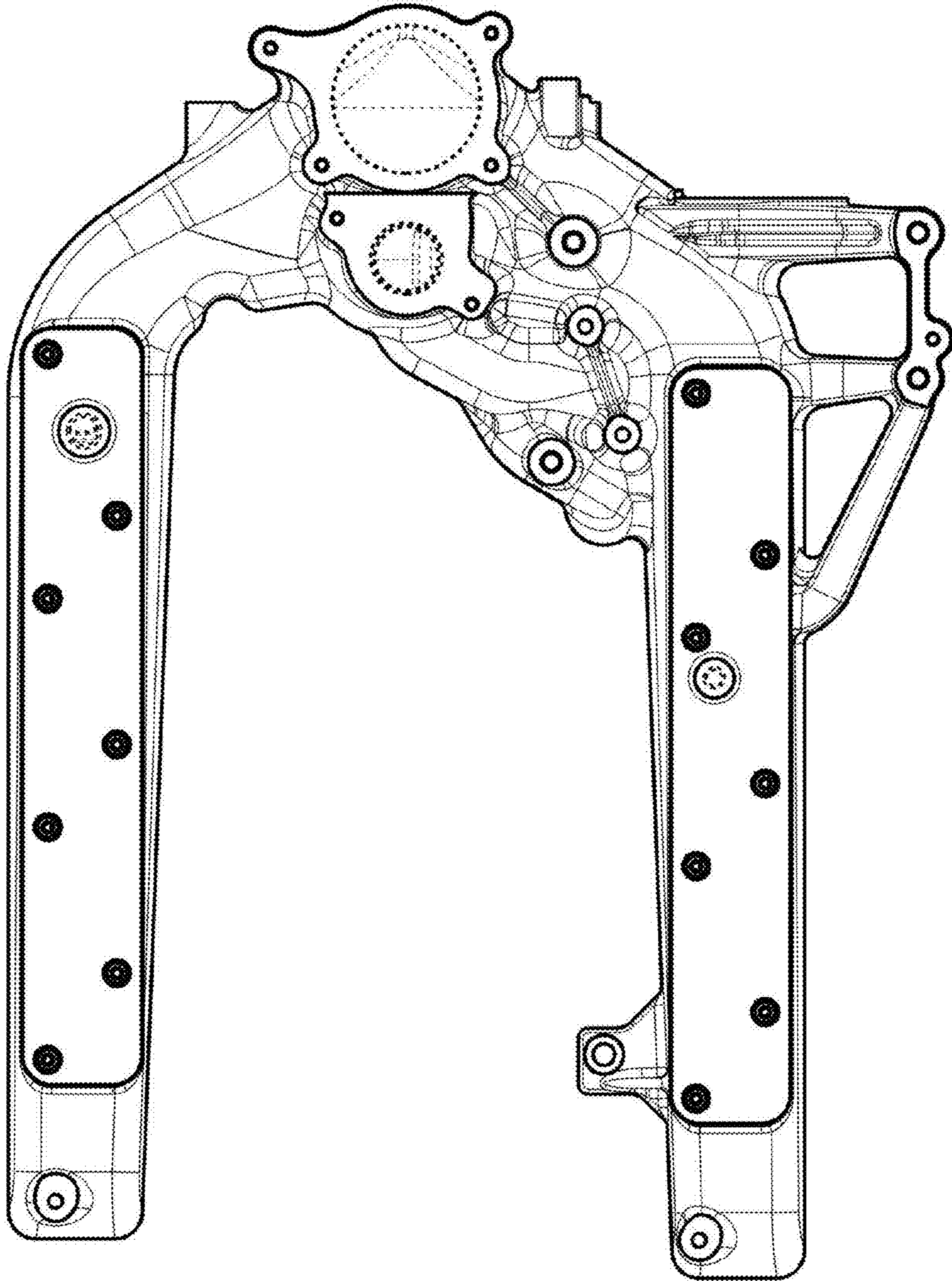


FIG. 1

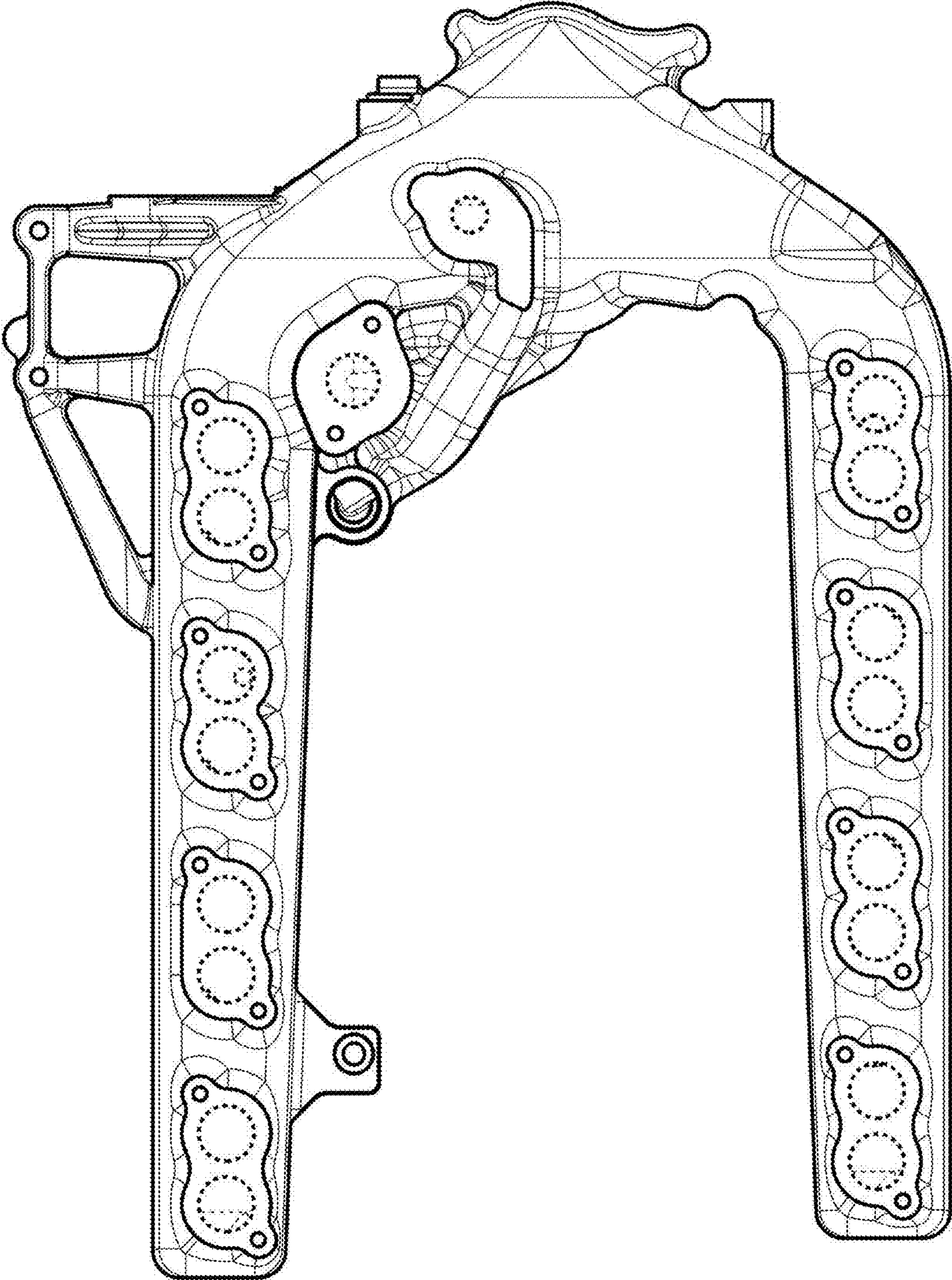


FIG. 2

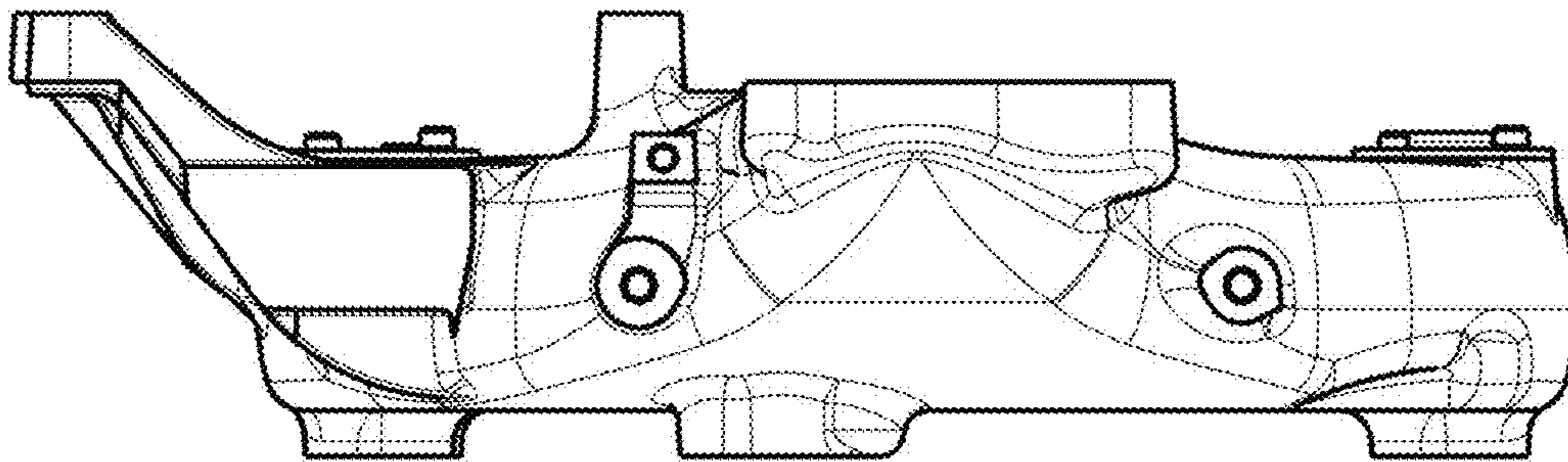


FIG. 3

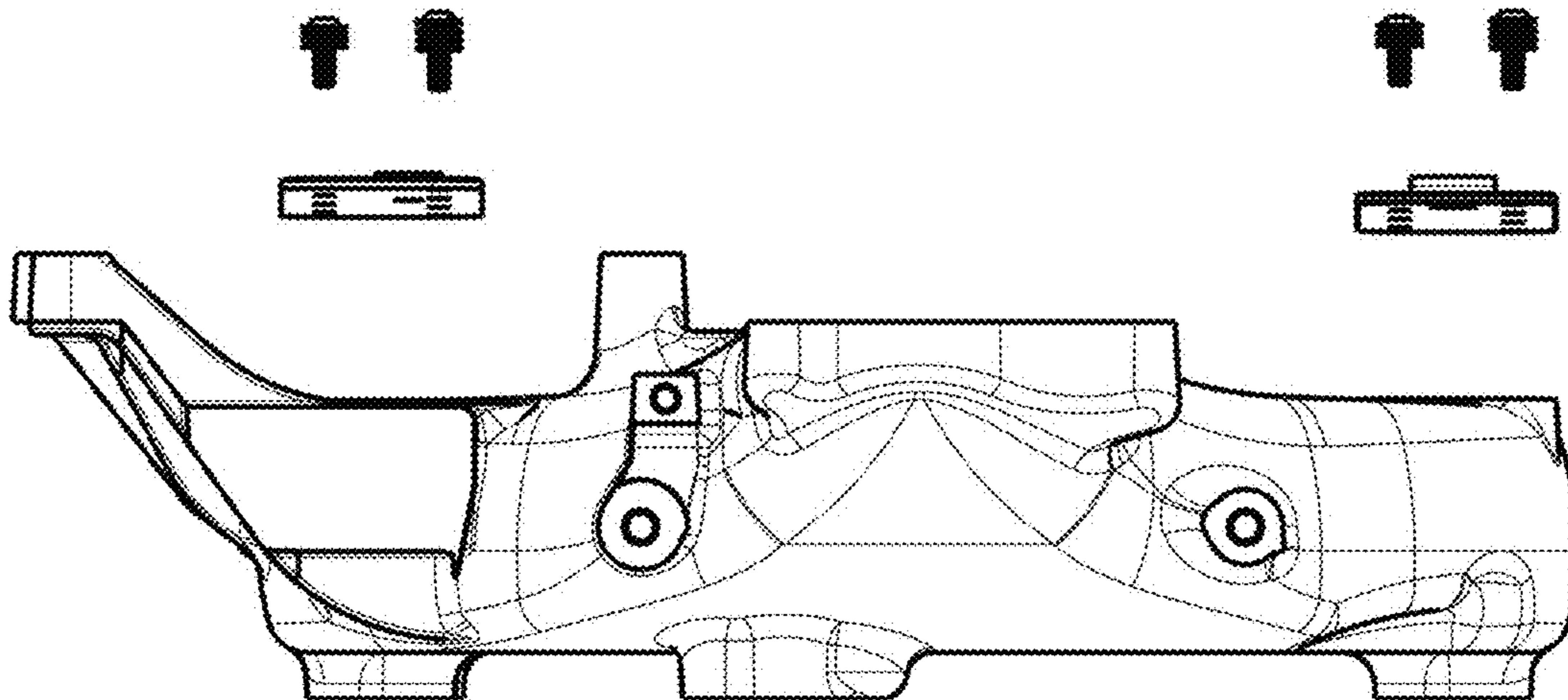


FIG. 4

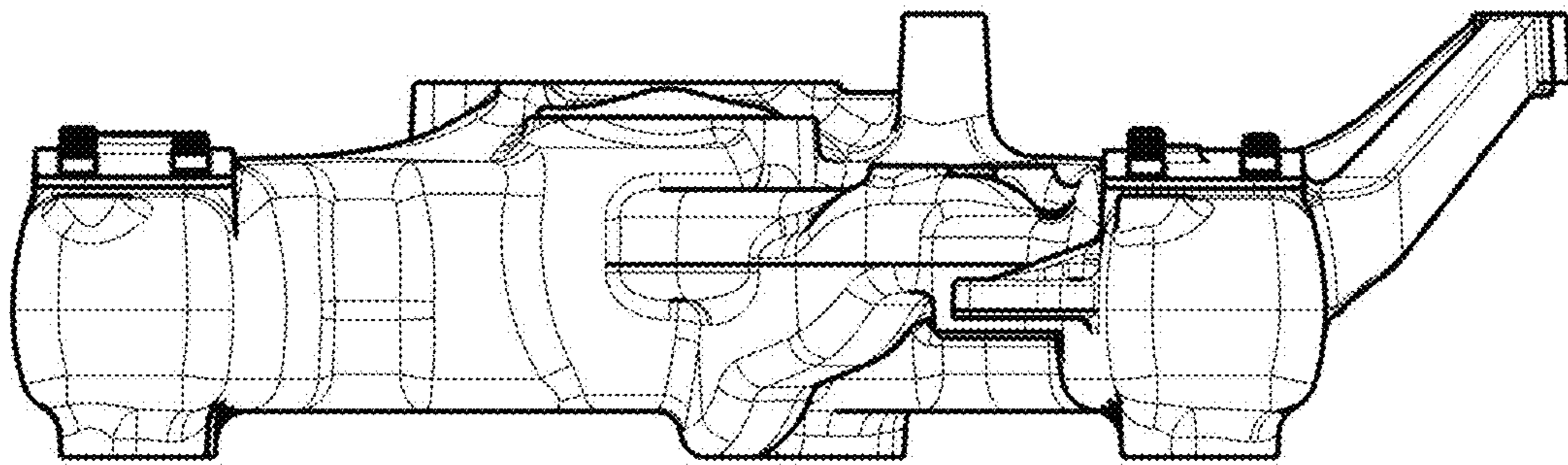


FIG. 5

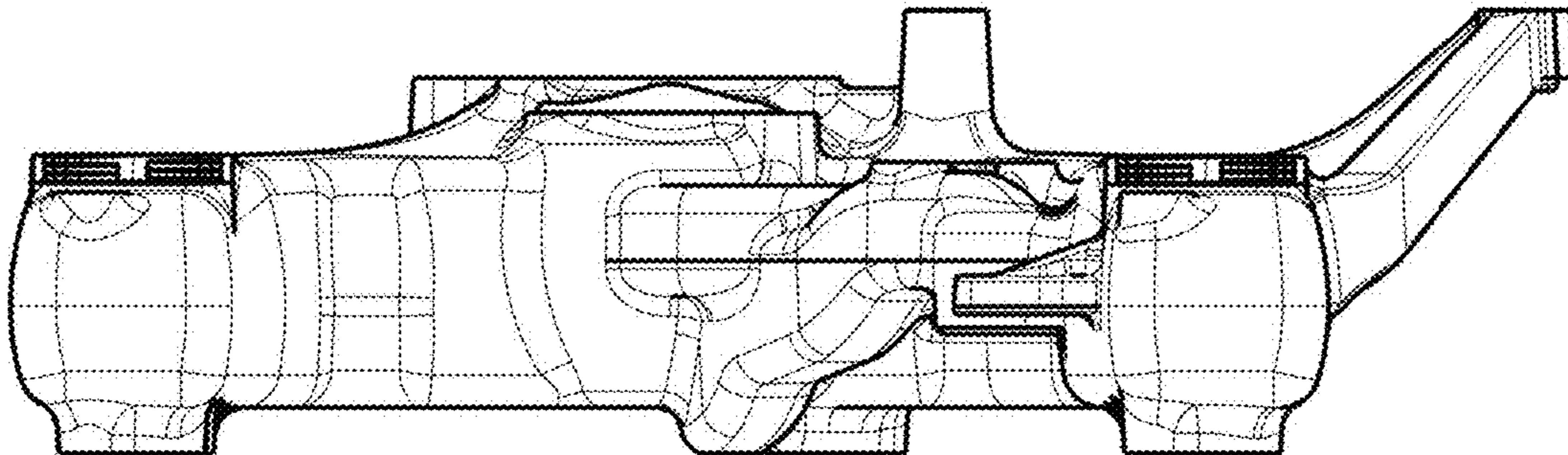
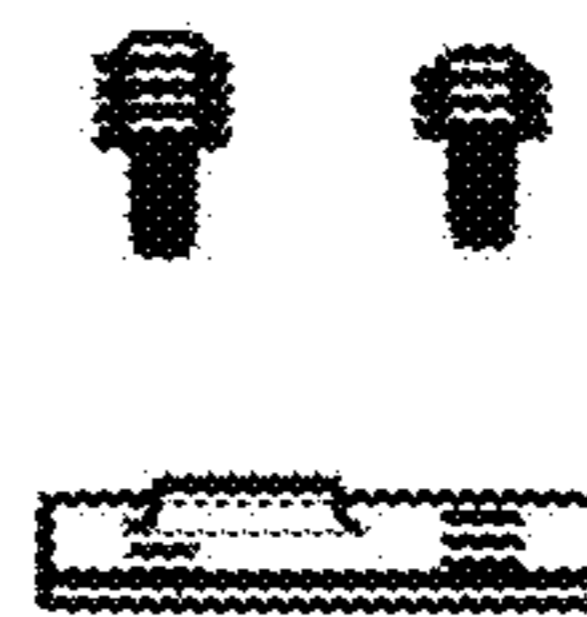
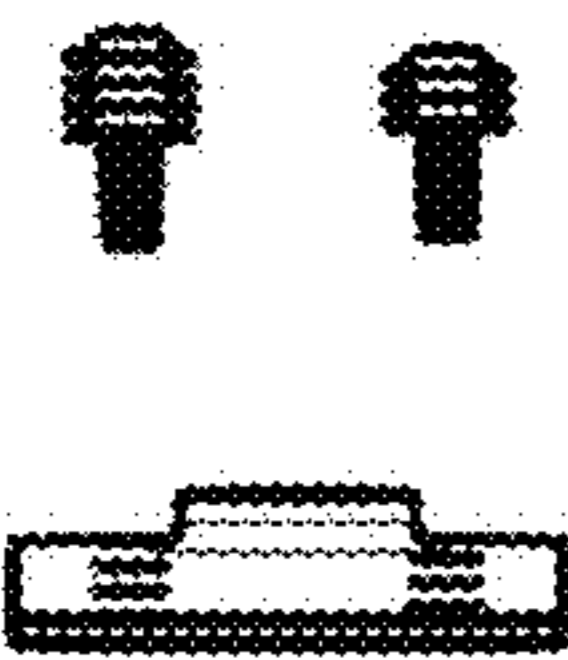


FIG. 6

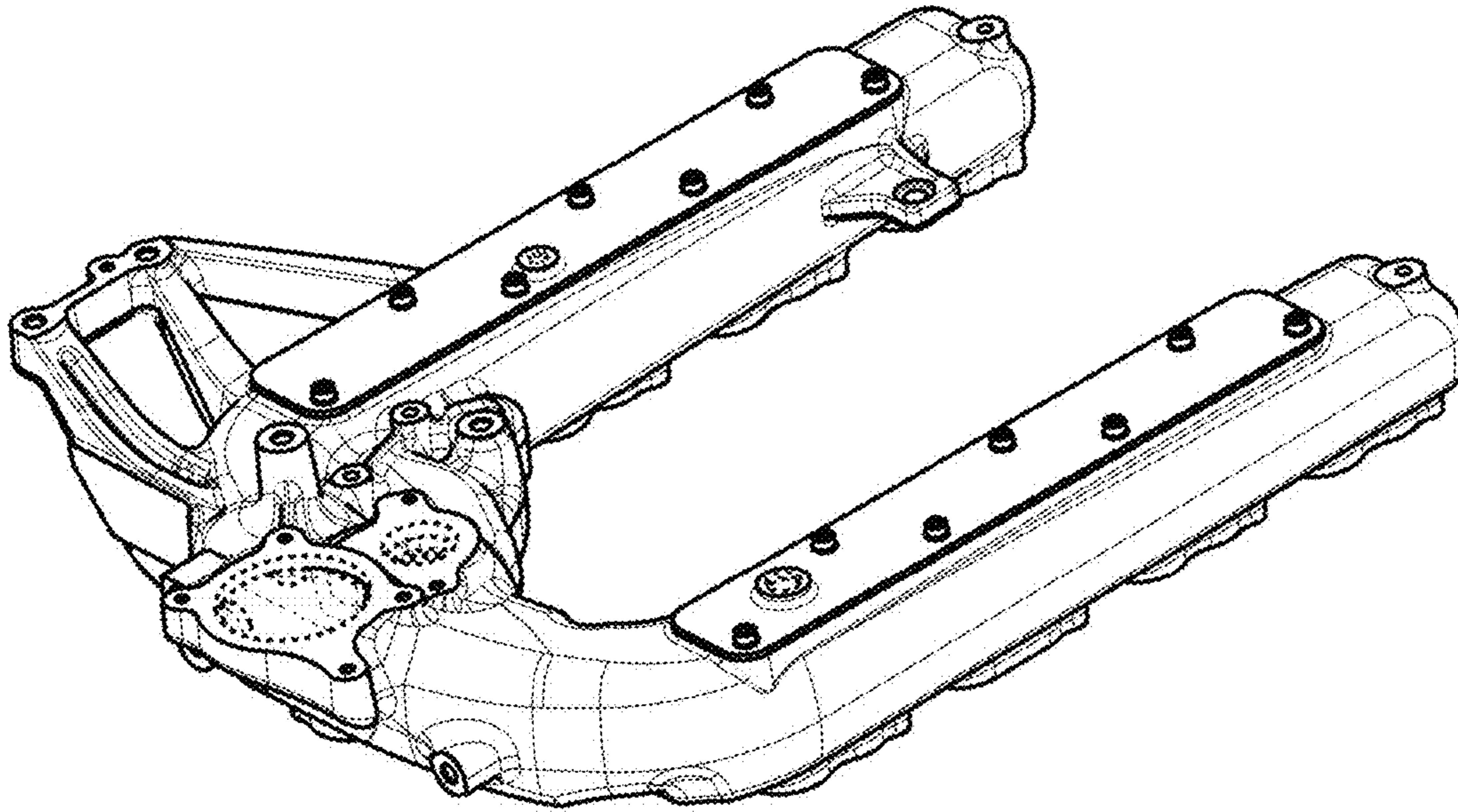


FIG. 7

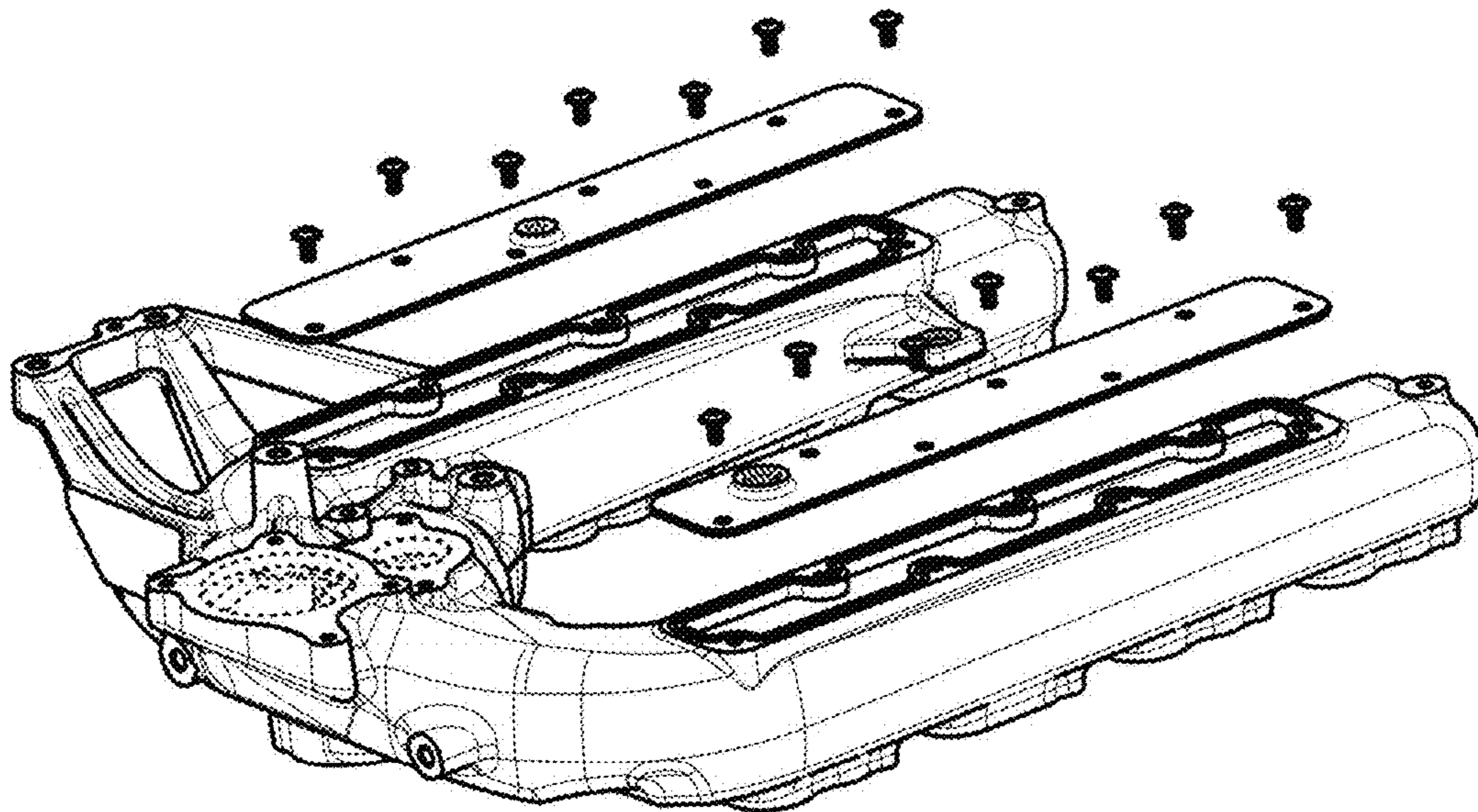


FIG. 8

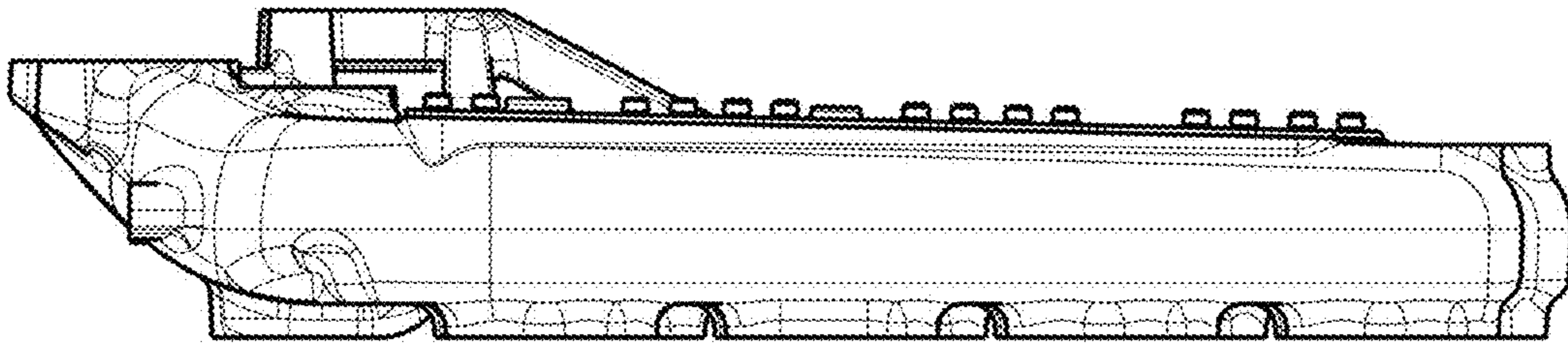


FIG. 9

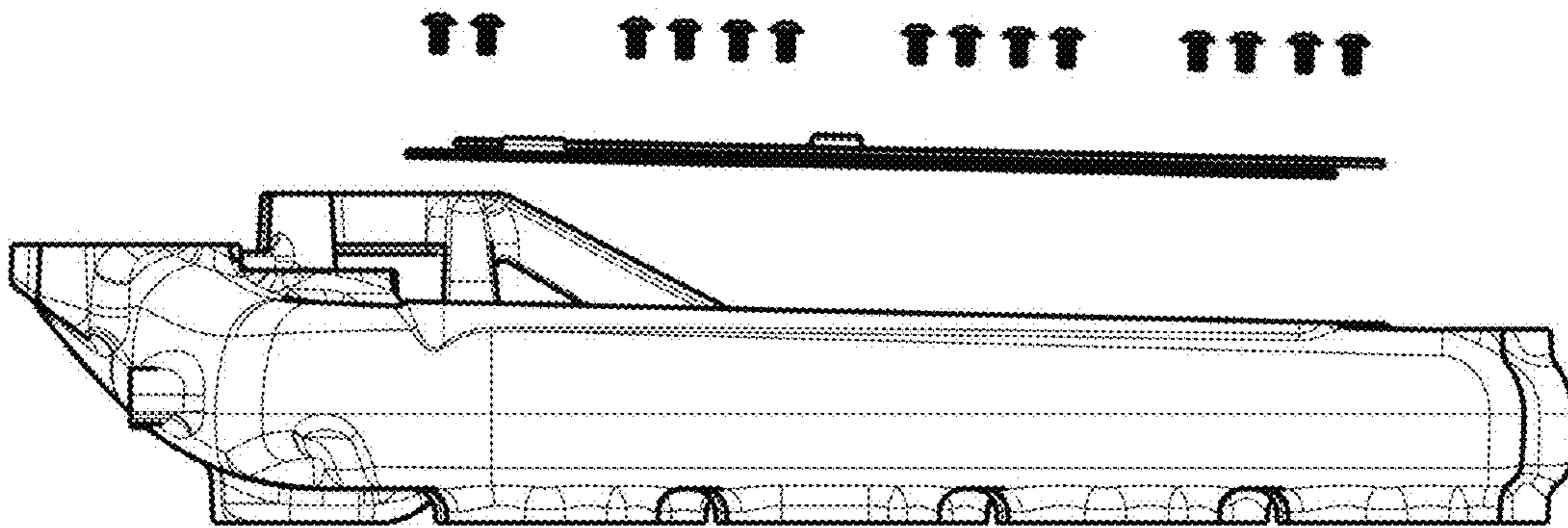


FIG. 10

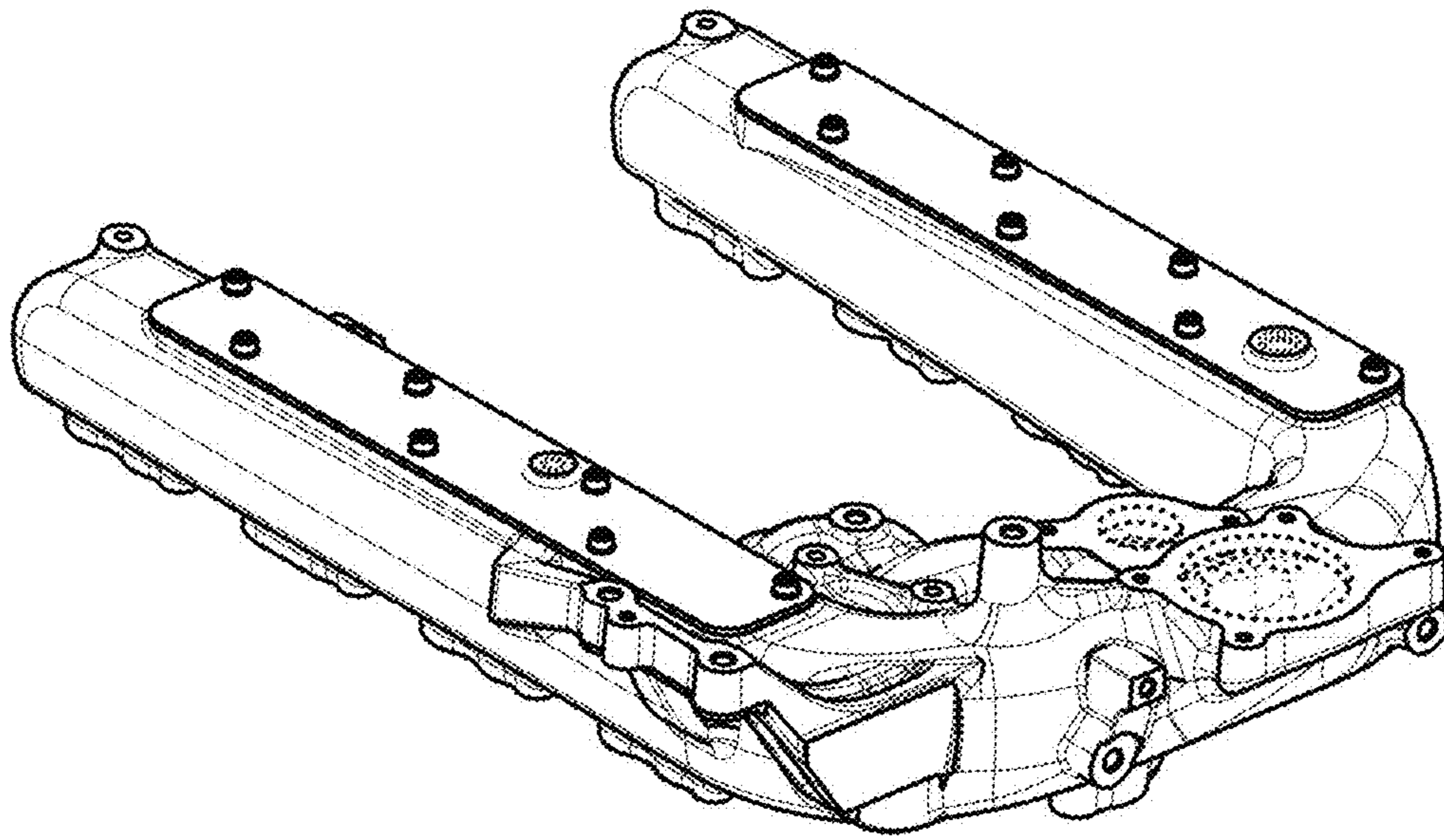


FIG. 11

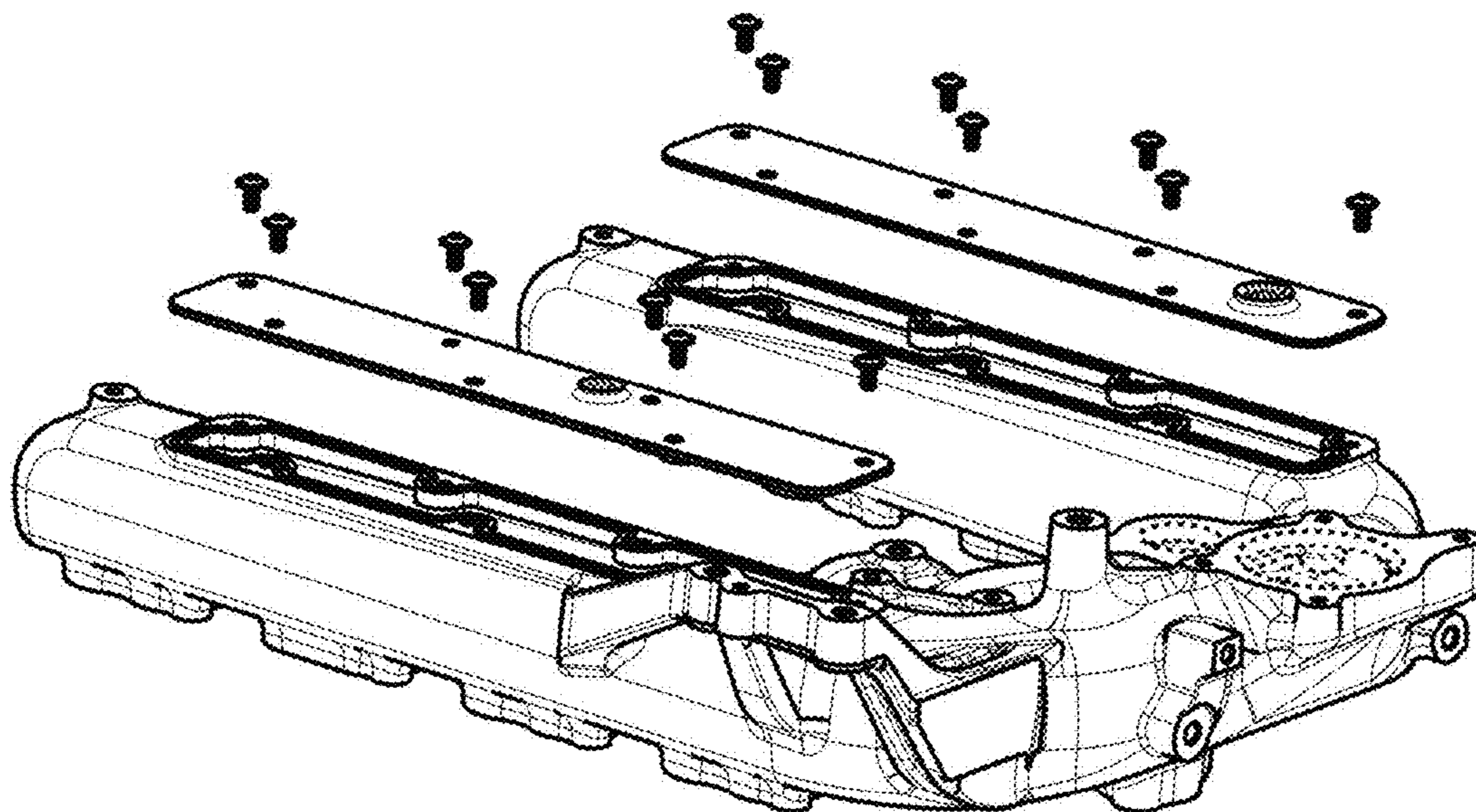


FIG. 12

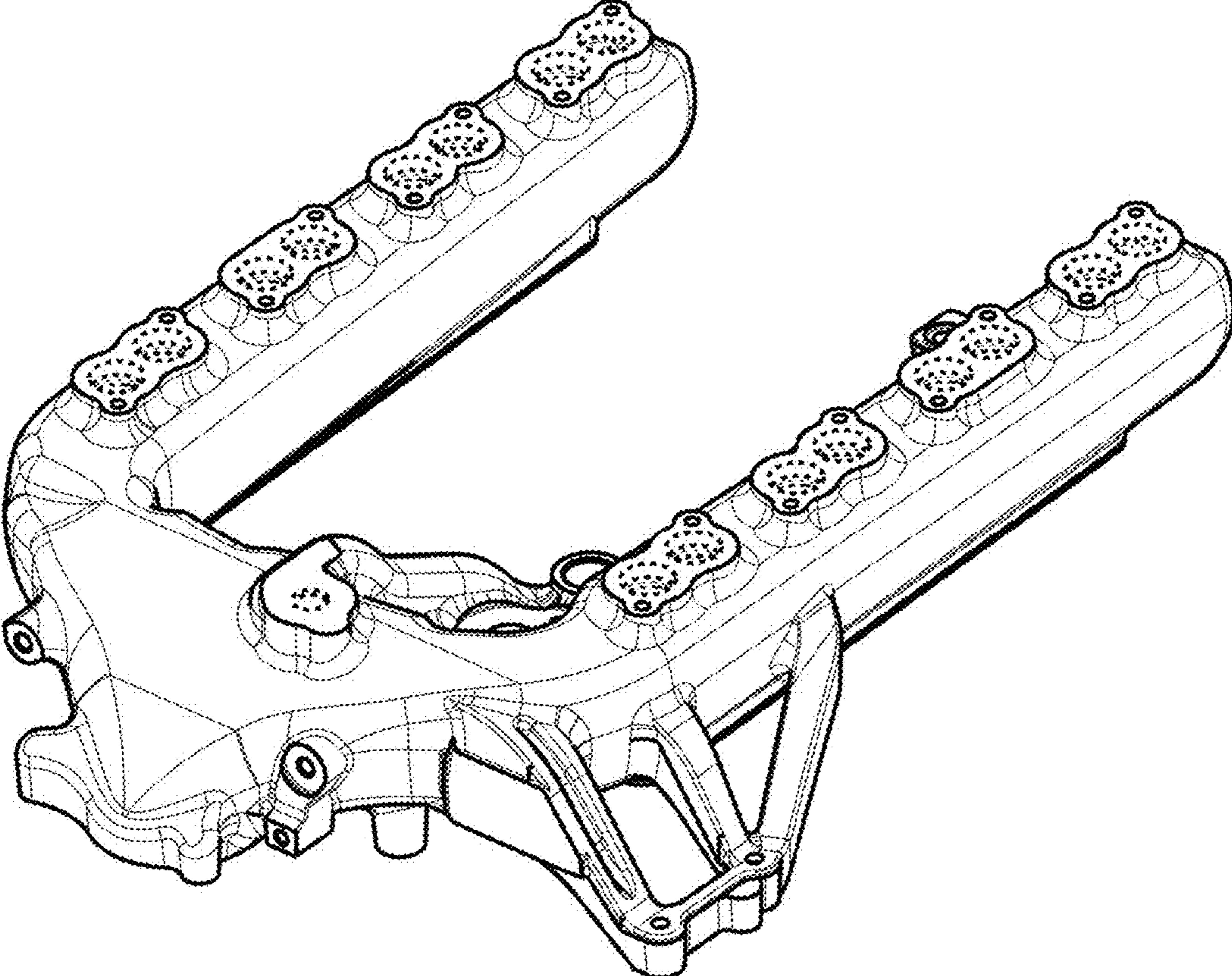


FIG. 13

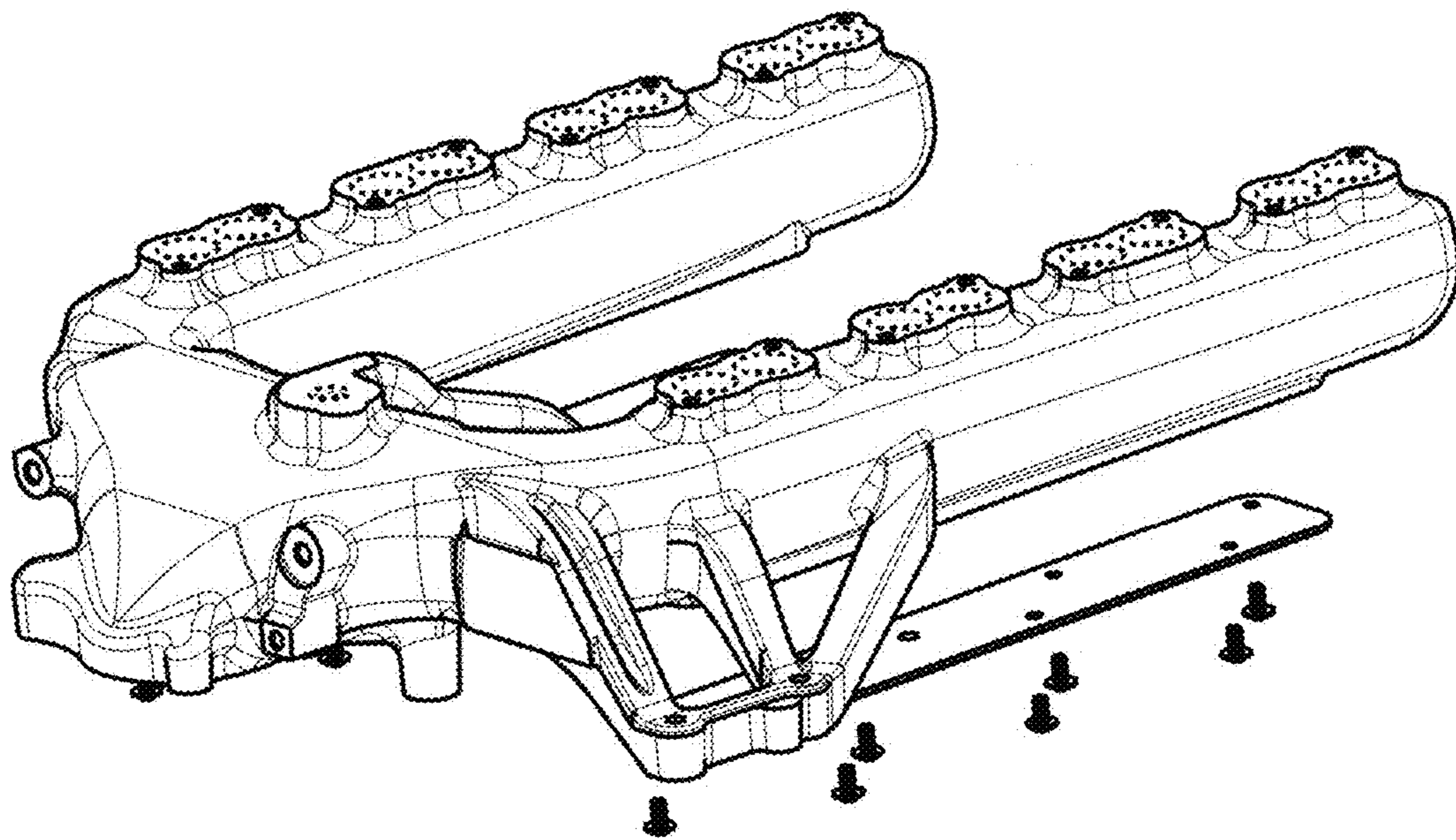


FIG. 14

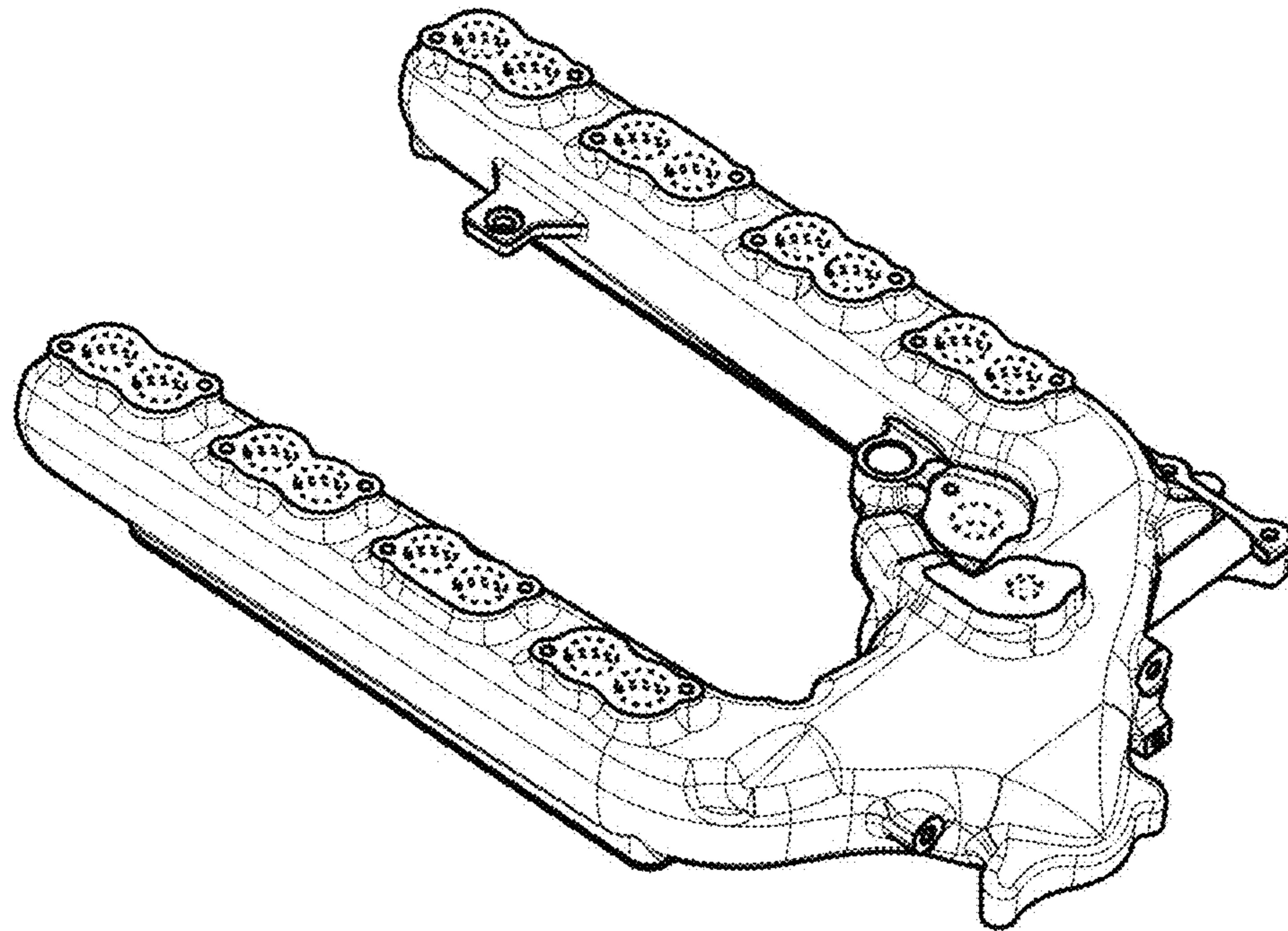


FIG. 15

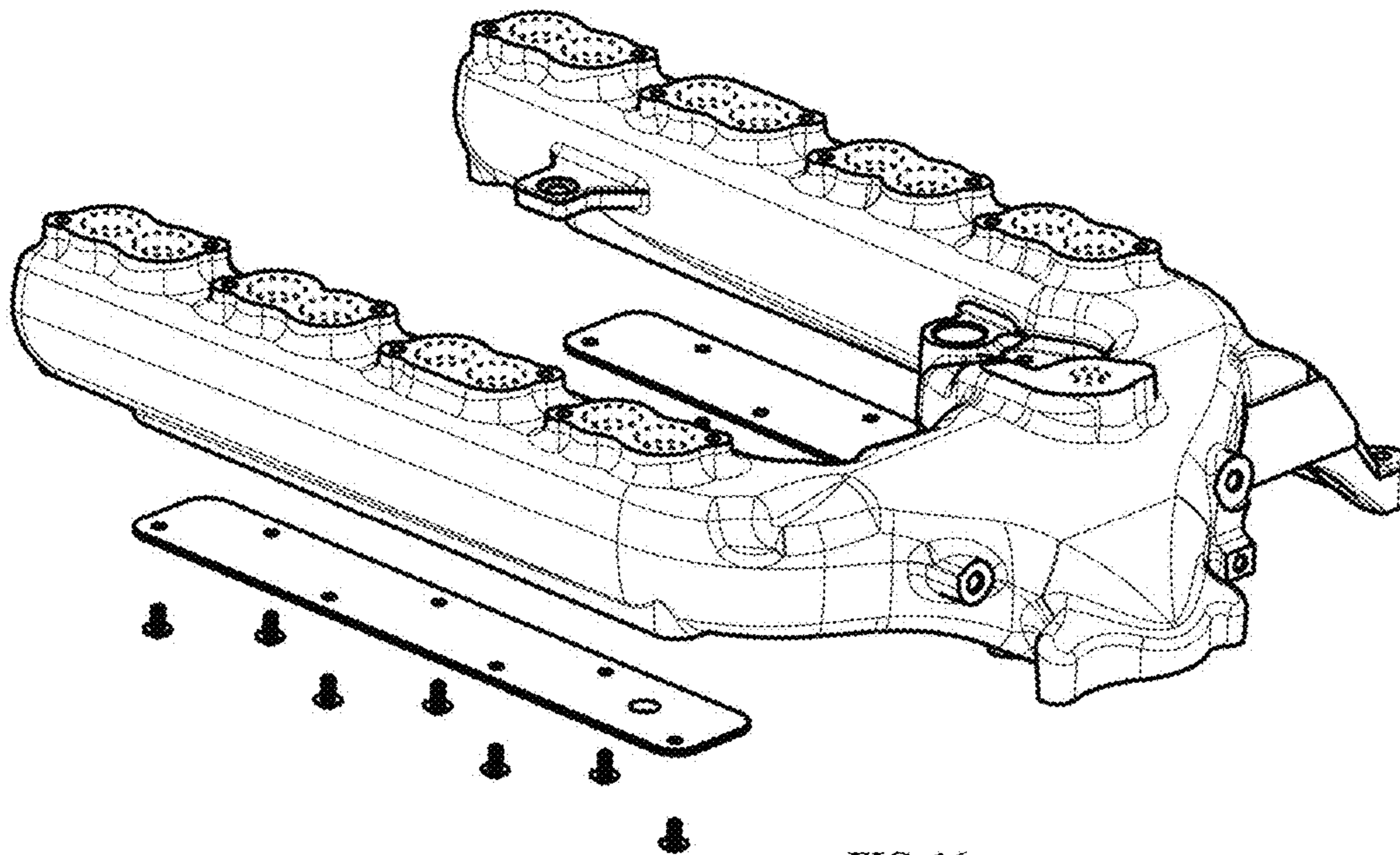


FIG. 16