



US00D863361S

(12) **United States Design Patent**  
**VerSchave**

(10) **Patent No.:** **US D863,361 S**

(45) **Date of Patent:** **\*\* Oct. 15, 2019**

(54) **ENGINE TOP COVER**

2018/0056890 A1\* 3/2018 Nola ..... B60R 13/0838  
2018/0291804 A1\* 10/2018 Nola ..... B60R 13/0838

(71) Applicant: **Allen VerSchave**, Oceanside, CA (US)

\* cited by examiner

(72) Inventor: **Allen VerSchave**, Oceanside, CA (US)

*Primary Examiner* — T Chase Nelson

*Assistant Examiner* — Ania Aman

(73) Assignee: **AVS Fabrication, Inc.**, Oceanside, CA (US)

(74) *Attorney, Agent, or Firm* — Trevor Coddington; San Diego IP Law Group LLP

(\*\*) Term: **15 Years**

(57) **CLAIM**

(21) Appl. No.: **29/622,503**

I claim the ornamental design for an engine top cover, as shown and described.

(22) Filed: **Oct. 17, 2017**

**DESCRIPTION**

(51) **LOC (12) Cl.** ..... **15-01**

(52) **U.S. Cl.**

USPC ..... **D15/5**

(58) **Field of Classification Search**

USPC ..... D15/1-6

CPC ... F01M 5/00; F16M 1/026; F02P 3/02; F02B 37/013; F02F 2007/0075

See application file for complete search history.

FIG. 1 is a perspective view of the engine top cover showing my new design;

FIG. 2 is a right view of the engine top cover as shown in FIG. 1;

FIG. 3 is a left view of the engine top cover as shown in FIG. 1;

FIG. 4 is a top view of the engine top cover as shown in FIG. 1;

FIG. 5 is a bottom view of the engine top cover as shown in FIG. 1;

FIG. 6 is a front side view of the engine top cover as shown in FIG. 1; and,

FIG. 7 is a back side view of the engine top cover as shown in FIG. 1.

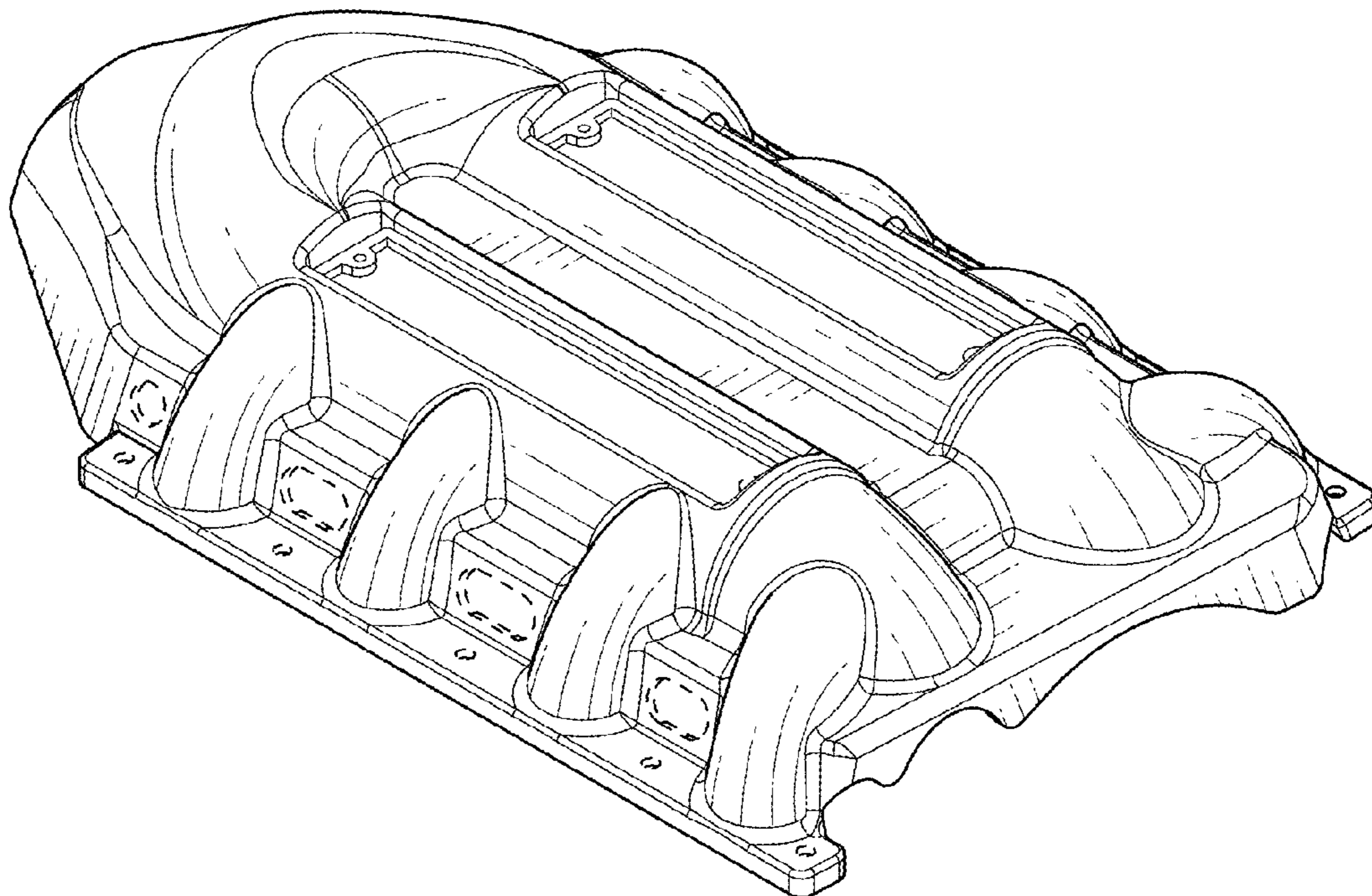
The dashed lines in the figures depict openings in the engine top cover which form no part of the inventive design.

(56) **References Cited**

**U.S. PATENT DOCUMENTS**

D465,498 S *	11/2002	Geffert	.....	D15/1
D556,213 S *	11/2007	Sugimoto	.....	D15/5
D556,779 S *	12/2007	Sugimoto	.....	D15/5
D647,109 S *	10/2011	Mizutani	.....	D15/5
D656,517 S *	3/2012	Gelardi	.....	D15/5
D656,961 S *	4/2012	Gelardi	.....	D15/5
2017/0152818 A1 *	6/2017	Newman	.....	F02M 35/104

**1 Claim, 3 Drawing Sheets**



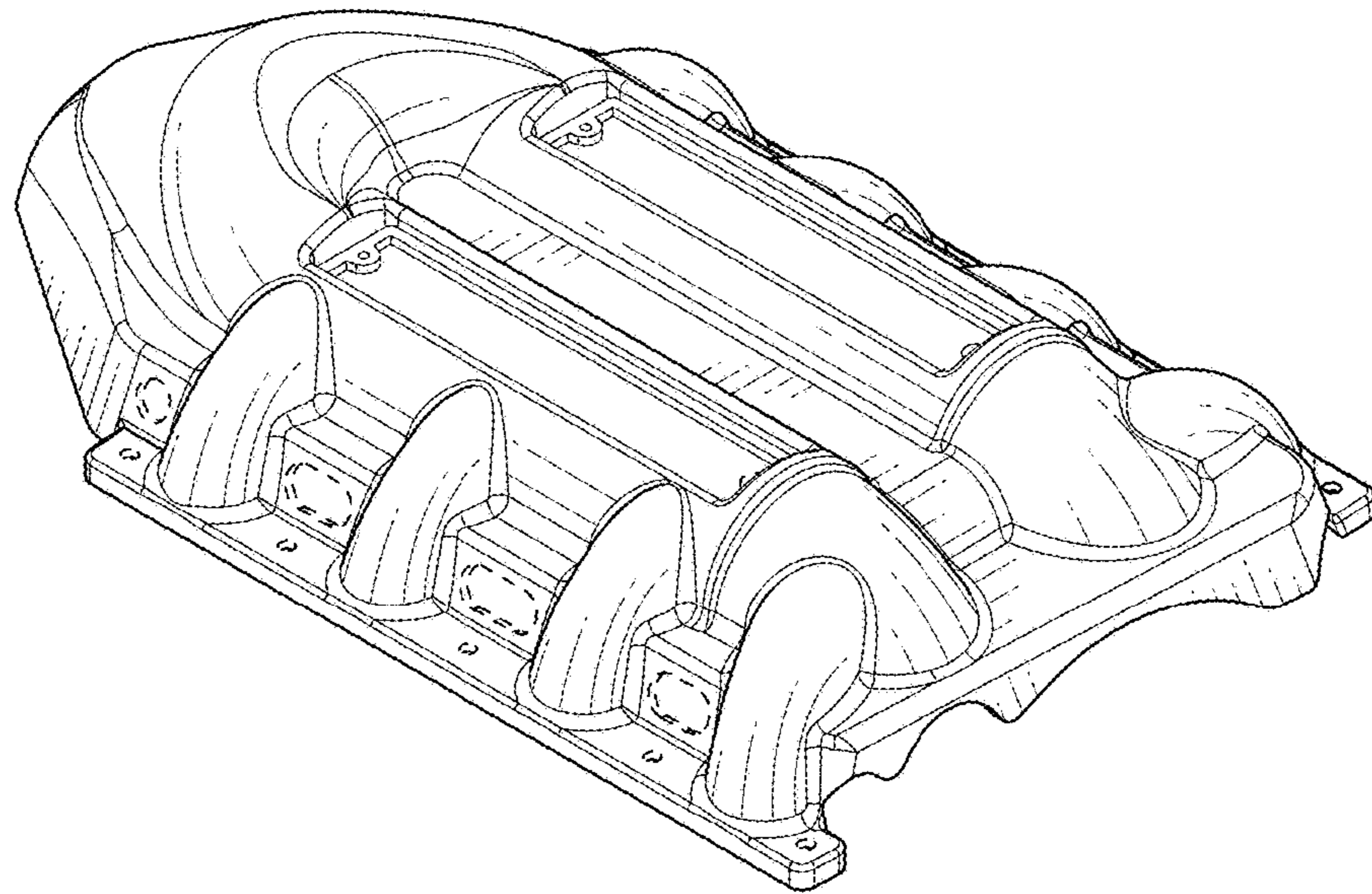


FIG. 1

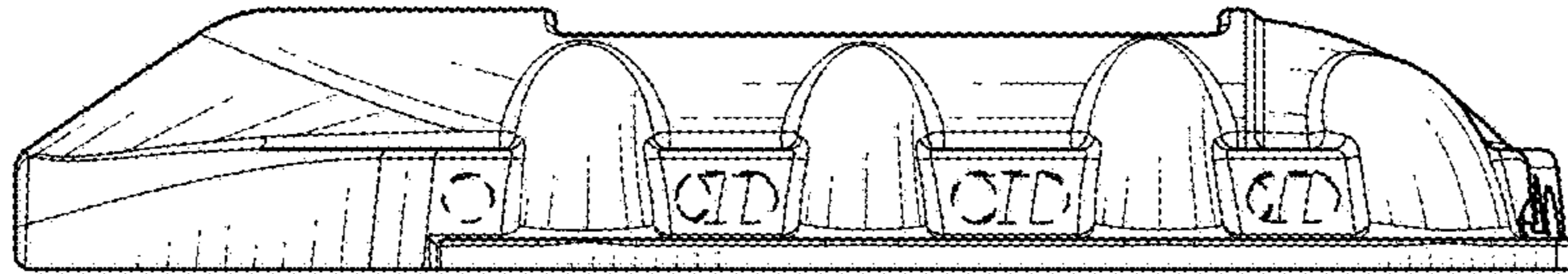


FIG. 2

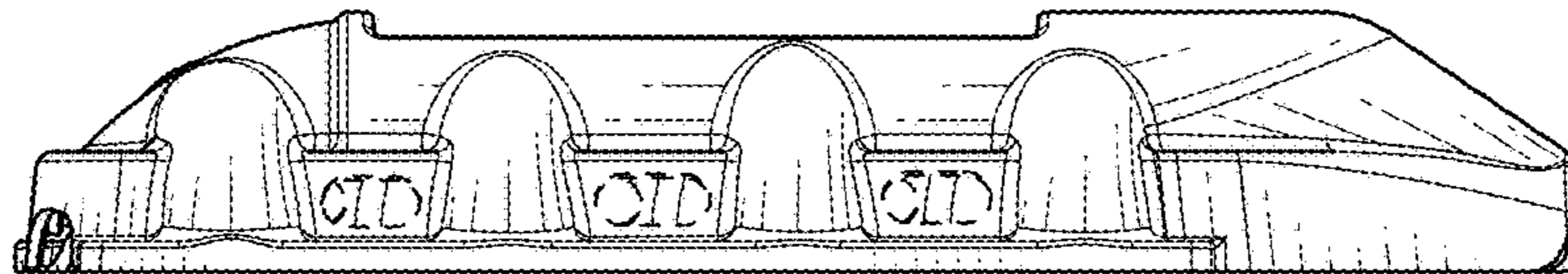


FIG. 3

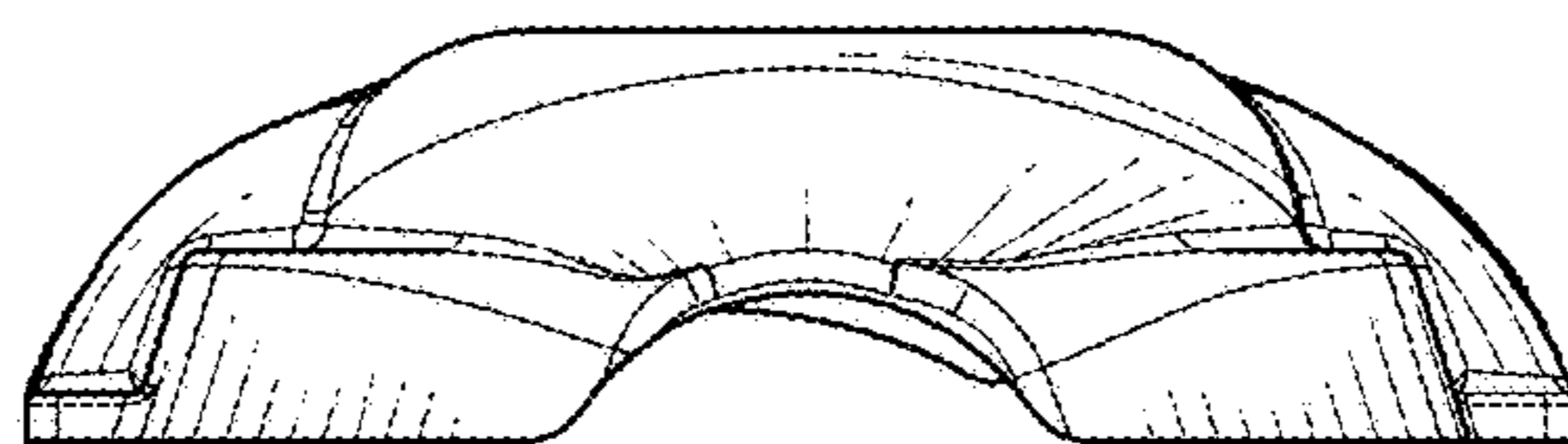


FIG. 4

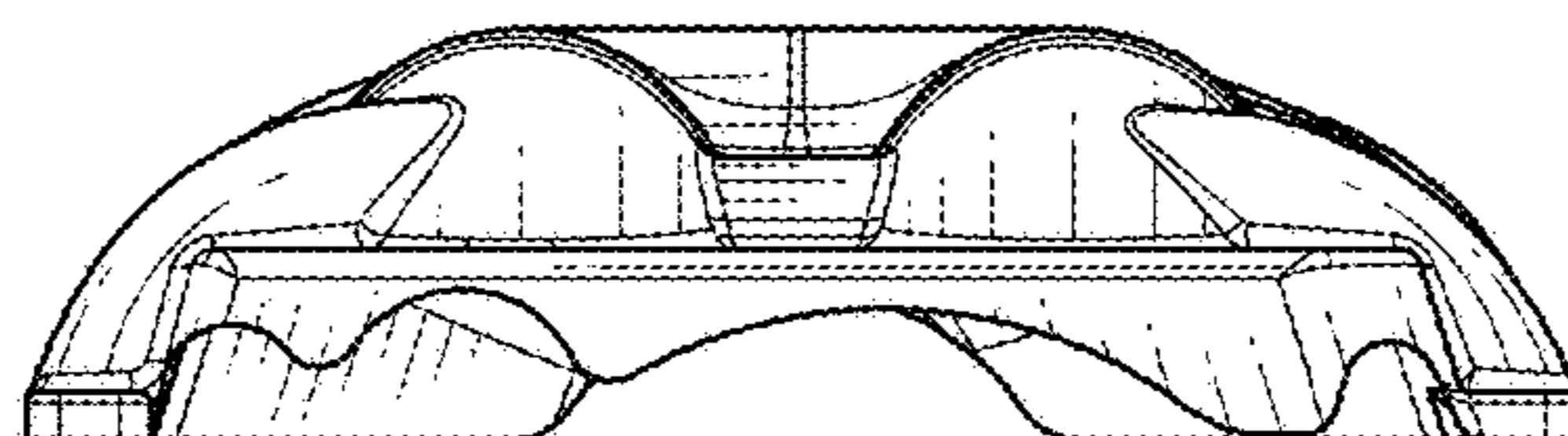


FIG. 5

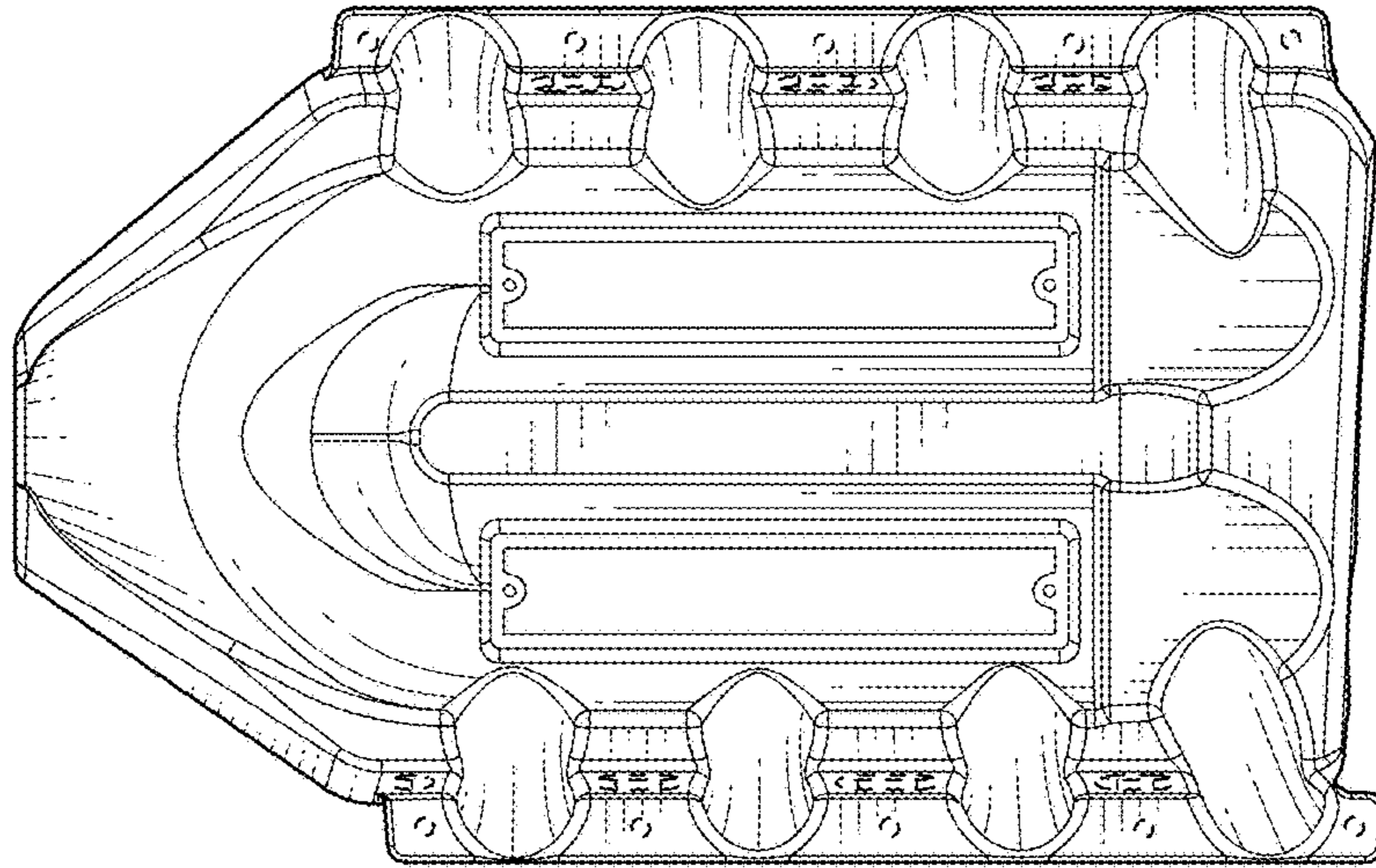


FIG. 6

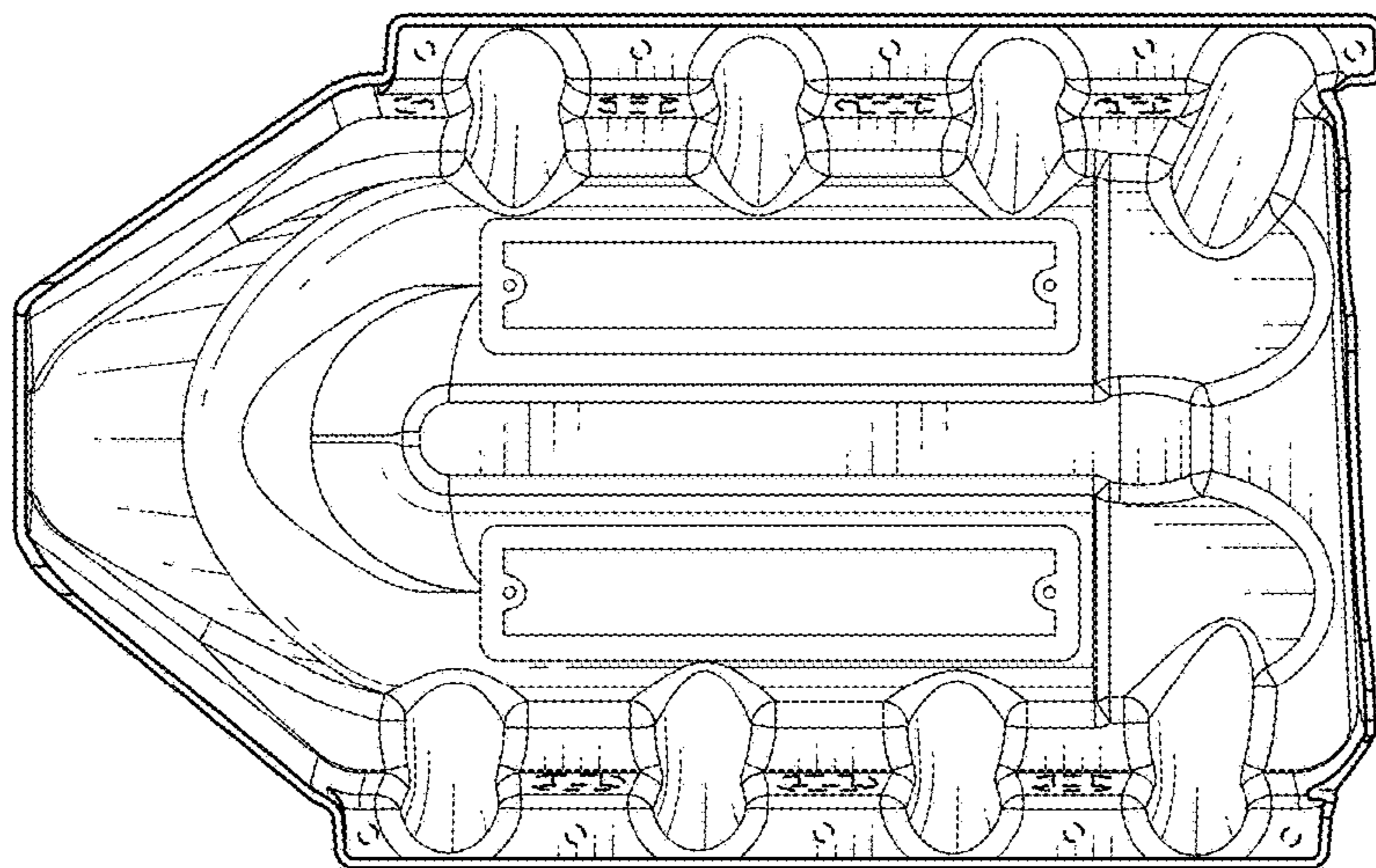


FIG. 7