



US00D863360S

(12) **United States Design Patent** (10) **Patent No.:** **US D863,360 S**  
**Ihns et al.** (45) **Date of Patent:** **\*\* Oct. 15, 2019**

(54) **ENGINE OIL LINE ADAPTER BLOCK**  
(71) Applicants: **Richard Michael Ihns**, Orlando, FL (US); **Jarott Edward Nelson**, Orlando, FL (US)  
(72) Inventors: **Richard Michael Ihns**, Orlando, FL (US); **Jarott Edward Nelson**, Orlando, FL (US)

(73) Assignee: **IMPROVED RACING PRODUCTS, LLC**, Orlando, FL (US)

(\*\*) Term: **15 Years**

(21) Appl. No.: **29/571,982**

(22) Filed: **Jul. 22, 2016**

(51) **LOC (12) Cl.** ..... **15-01**

(52) **U.S. Cl.**  
USPC ..... **D15/5**

(58) **Field of Classification Search**  
USPC ..... D15/5; D12/114  
CPC .. F28F 7/02; F01M 11/03; F01M 5/00; F01M 5/002; F01M 2005/004; F01M 2011/0483  
See application file for complete search history.

(56) **References Cited**

**U.S. PATENT DOCUMENTS**

|           |      |         |            |       |                          |
|-----------|------|---------|------------|-------|--------------------------|
| 5,746,170 | A *  | 5/1998  | Moriya     | ..... | F01M 5/005<br>123/196 AB |
| 8,181,745 | B1 * | 5/2012  | Stanfield  | ..... | B62K 11/04<br>184/1.5    |
| 8,807,111 | B2 * | 8/2014  | Hughes     | ..... | F02M 39/00<br>123/196 A  |
| 9,587,532 | B1 * | 3/2017  | Au         | ..... | F01M 11/03               |
| D798,773  | S *  | 10/2017 | Fitzgerald | ..... | D12/114                  |

|              |      |        |            |       |                          |
|--------------|------|--------|------------|-------|--------------------------|
| 2006/0118279 | A1 * | 6/2006 | Stafford   | ..... | F28D 1/024<br>165/104.33 |
| 2011/0005741 | A1 * | 1/2011 | Sheppard   | ..... | F01M 5/007<br>165/297    |
| 2014/0158238 | A1 * | 6/2014 | Van Fossan | ..... | F01M 5/00<br>137/599.11  |
| 2017/0268394 | A1 * | 9/2017 | Au         | ..... | F01M 11/03               |
| 2018/0087419 | A1 * | 3/2018 | Poster     | ..... | F01M 11/10               |
| 2018/0163586 | A1 * | 6/2018 | Schmidgall | ..... | F01M 5/002               |

\* cited by examiner

*Primary Examiner* — T Chase Nelson  
*Assistant Examiner* — Ania Aman

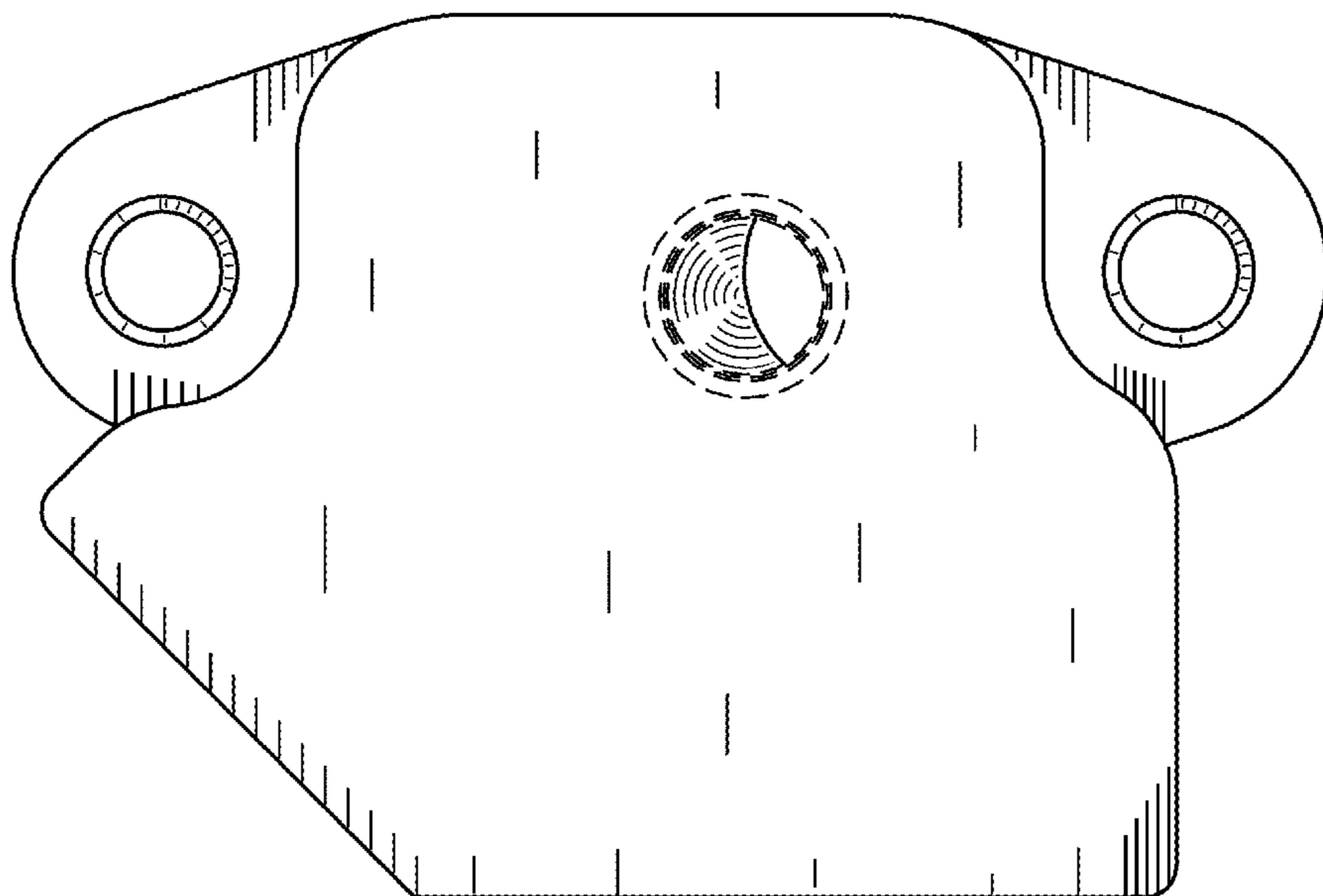
(57) **CLAIM**

The ornamental design for an engine oil line adapter block, as shown and described.

**DESCRIPTION**

FIG. 1 is a front view of an engine oil line adapter block showing the claimed design.  
FIG. 2 is a rear view of the engine oil line adapter block of FIG. 1.  
FIG. 3 is a left side view of the engine oil line adapter block of FIG. 1.  
FIG. 4 is a right side view of the engine oil line adapter block of FIG. 1.  
FIG. 5 is a top view of the engine oil line adapter block of FIG. 1.  
FIG. 6 is a bottom view of the engine oil line adapter block of FIG. 1; and,  
FIG. 7 is a top perspective view of the engine oil line adapter block of FIG. 1.  
The broken lines shown in the views depict environmental subject matter only and form no part of the claimed design.

**1 Claim, 7 Drawing Sheets**



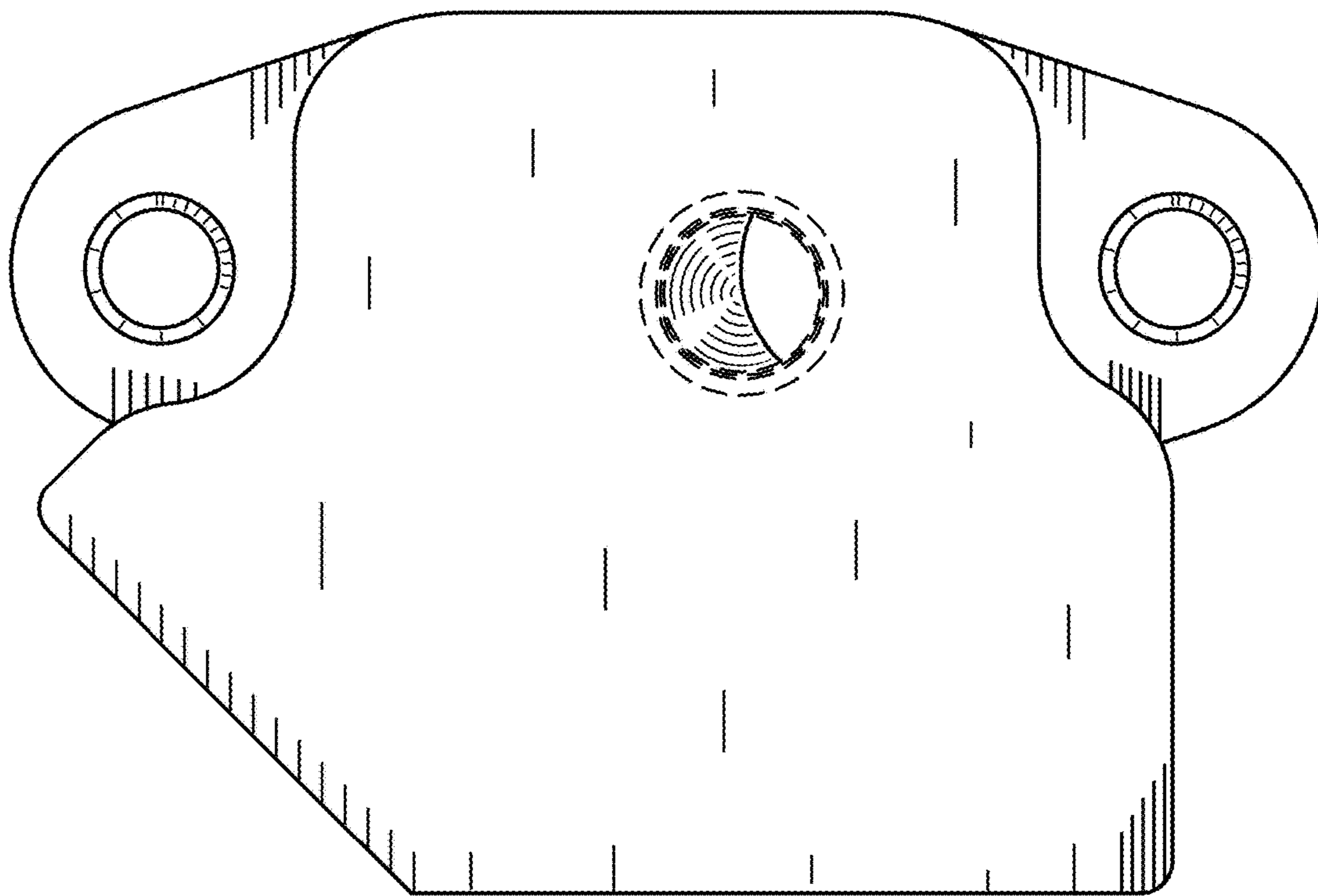


FIG. 1

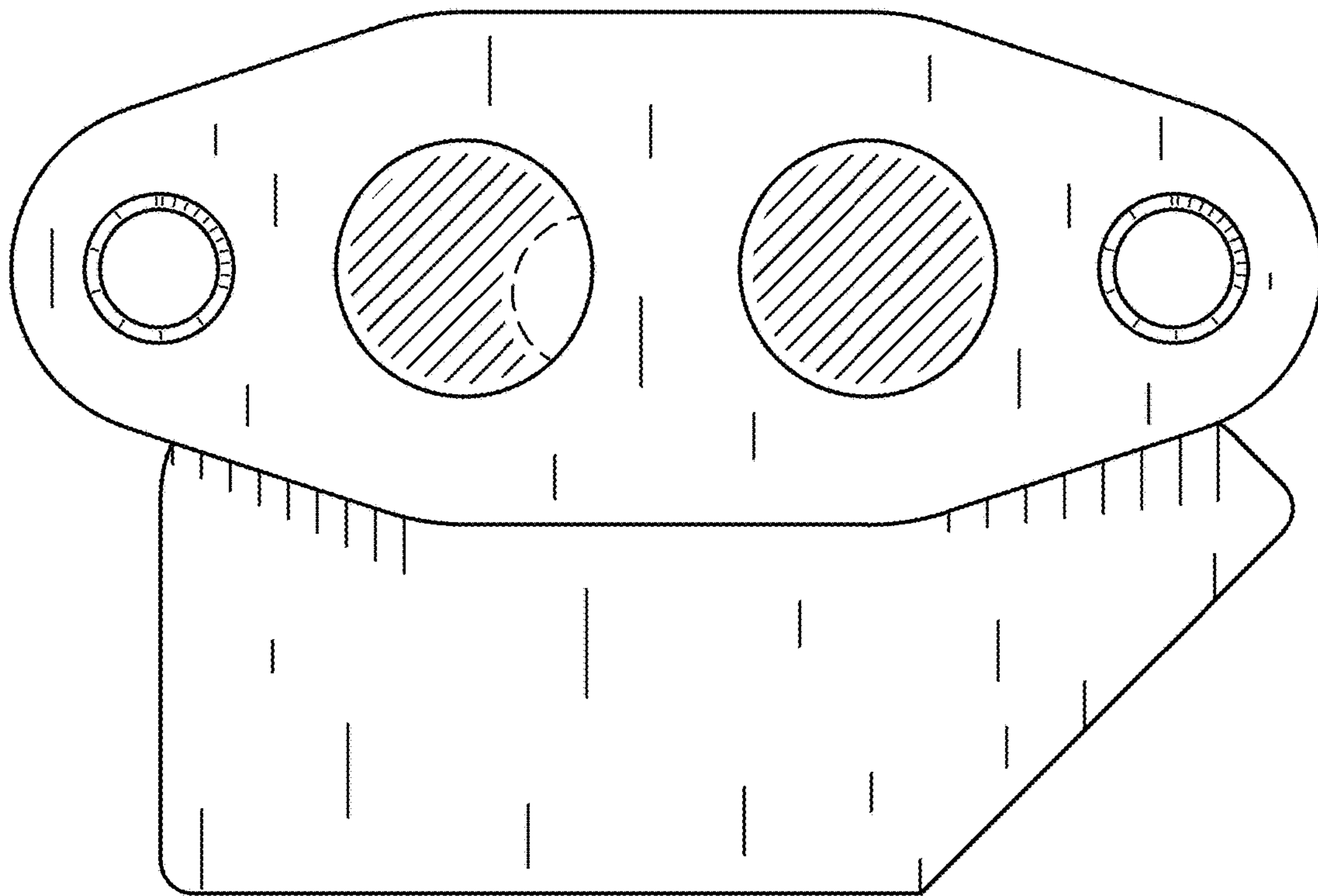
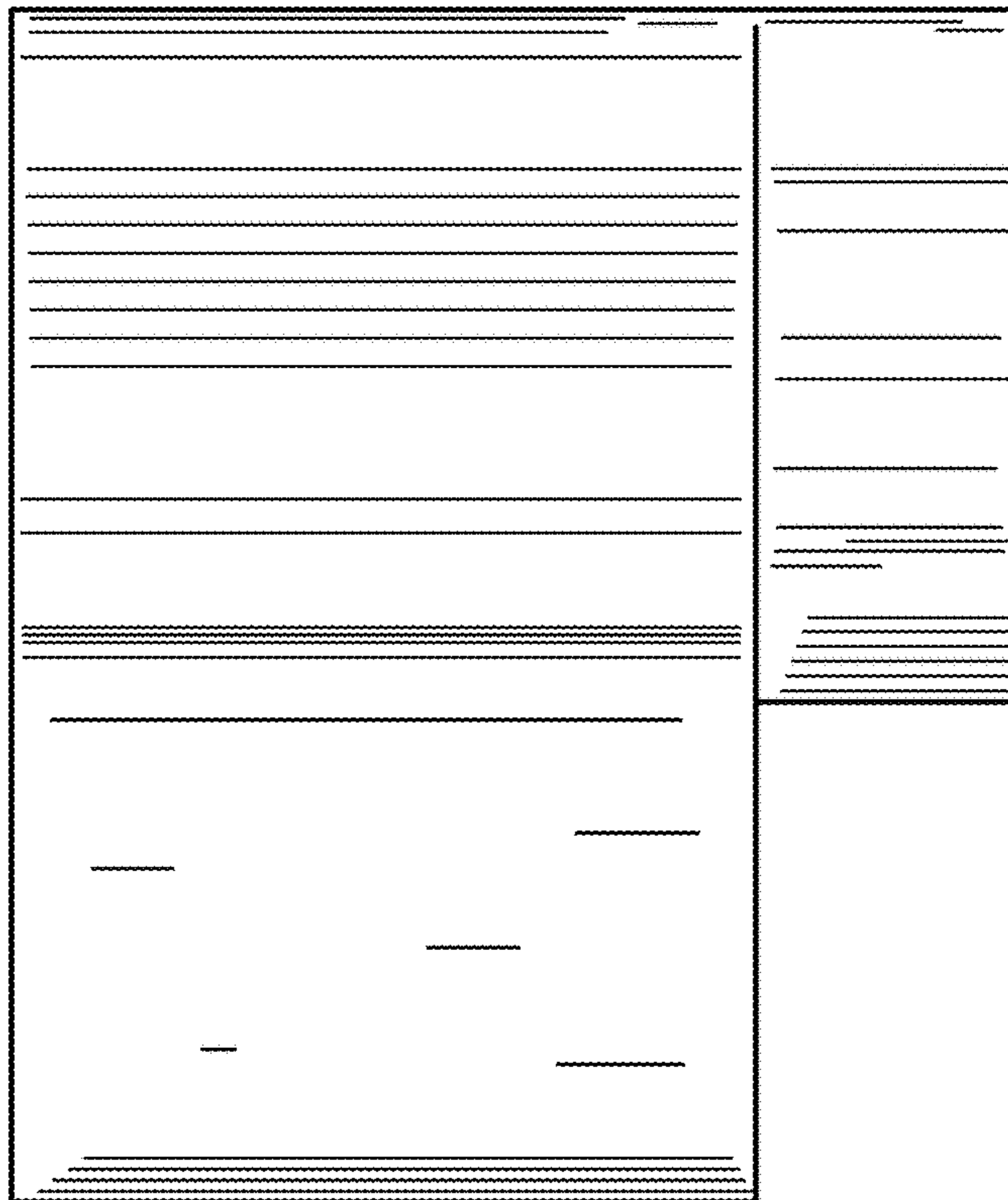
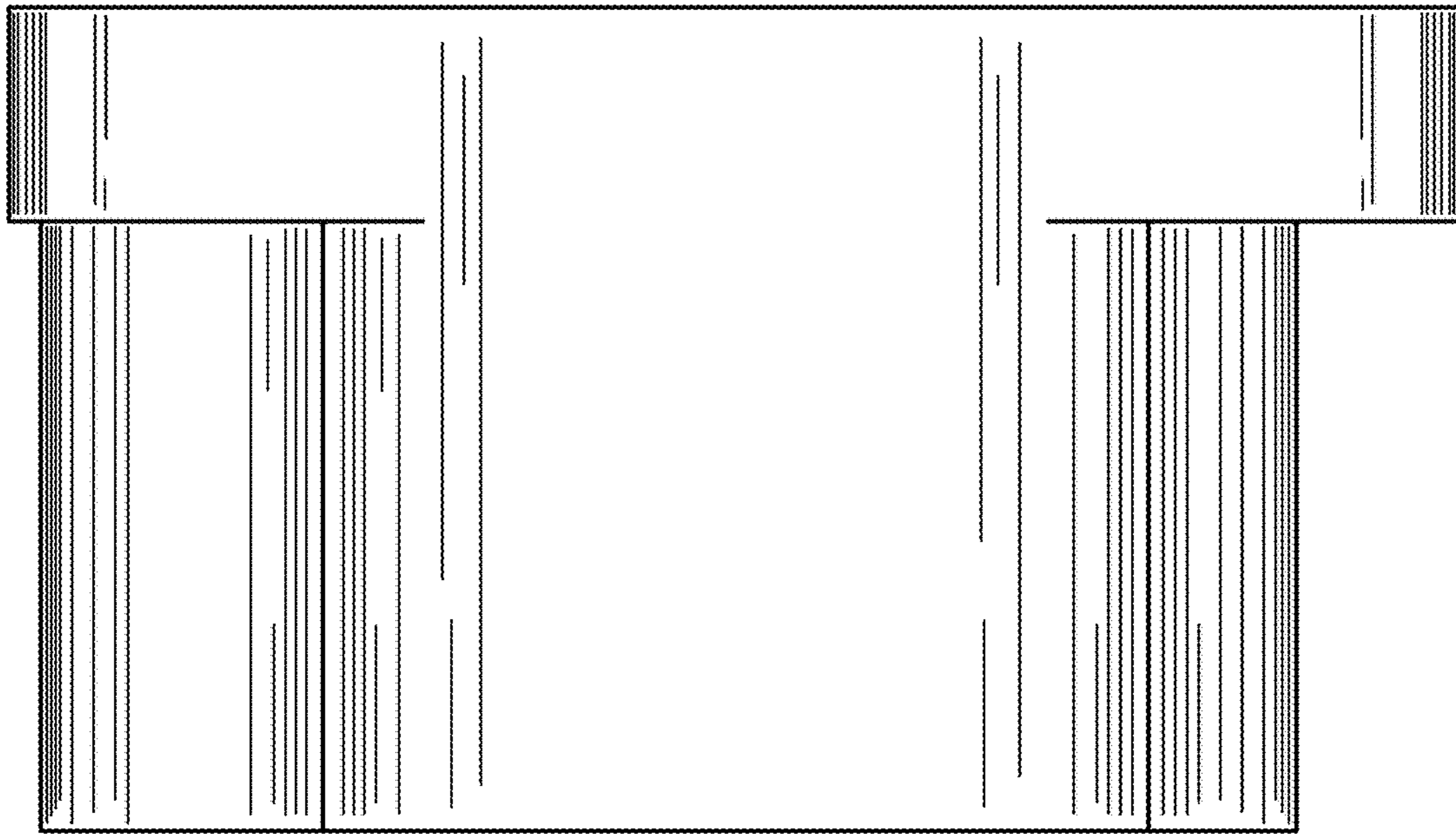


FIG. 2





*FIG. 4*



*FIG. 5*

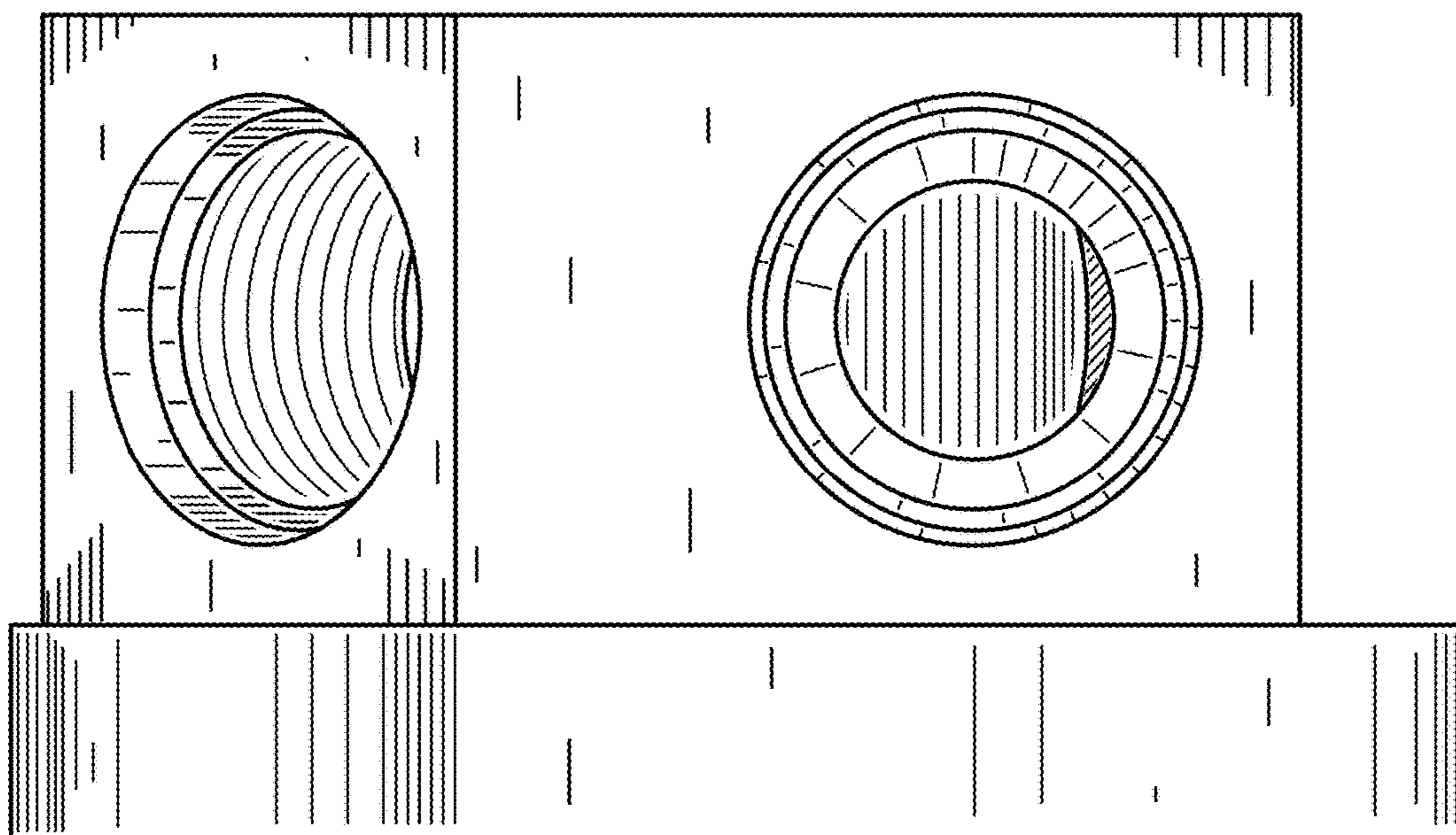


FIG. 6

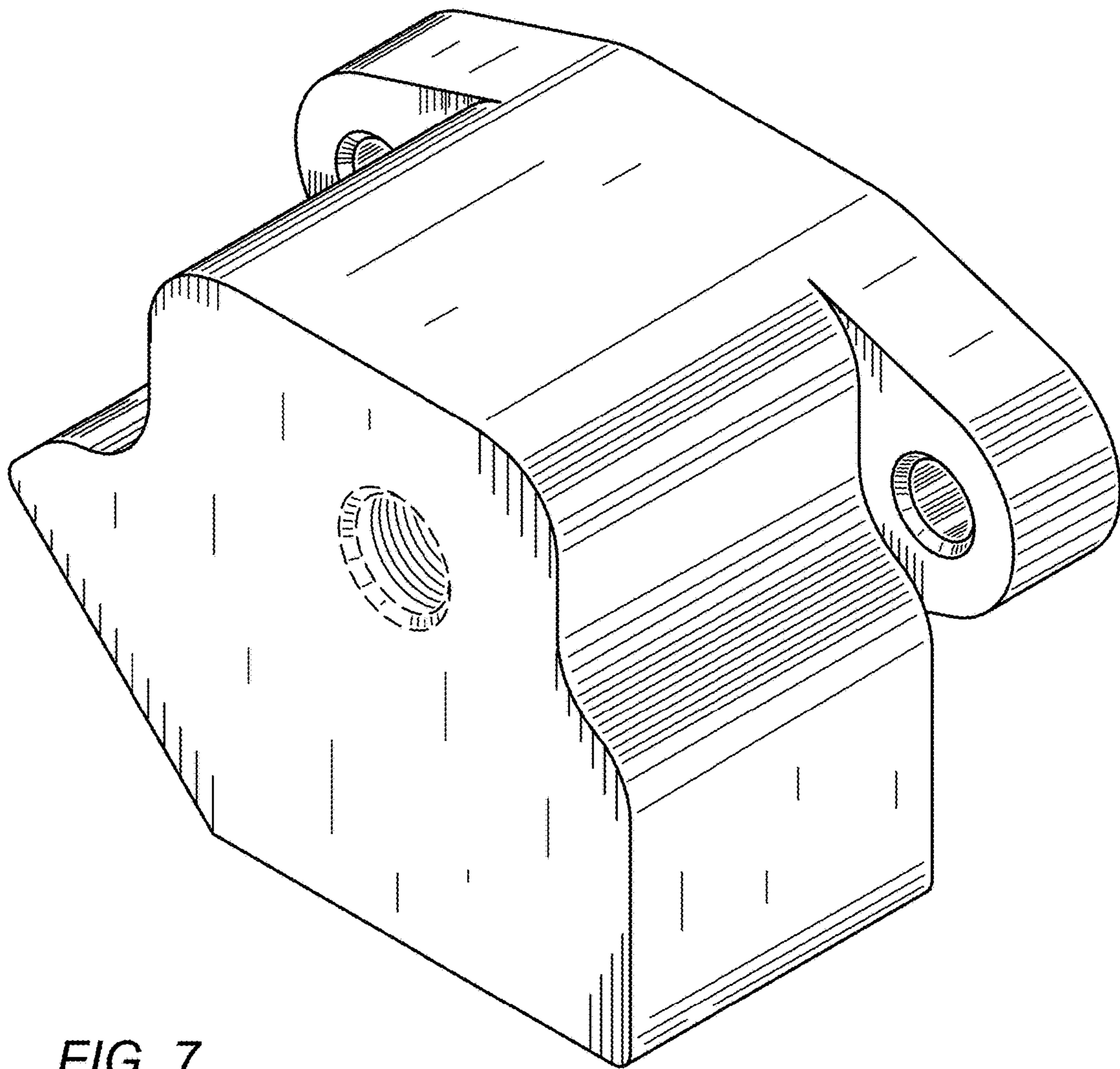


FIG. 7