



US00D863358S

(12) **United States Design Patent** (10) **Patent No.:** **US D863,358 S**
Park et al. (45) **Date of Patent:** **** Oct. 15, 2019**

(54) **AUDIO PLAYING SYSTEM**

(71) Applicant: **LG ELECTRONICS INC.**, Seoul (KR)

(72) Inventors: **Sungyong Park**, Seoul (KR); **JunKi Kim**, Seoul (KR); **Sooyoung Park**, Seoul (KR); **Yuonui Chong**, Seoul (KR)

(73) Assignee: **LG ELECTRONICS INC.**, Seoul (KR)

(**) Term: **15 Years**

(21) Appl. No.: **35/505,415**

(22) Filed: **Feb. 6, 2018**

(80) **Hague Agreement Data**

Int. Filing Date: **Feb. 6, 2018**
Int. Reg. No.: **DM/100382**
Int. Reg. Date: **Feb. 6, 2018**
Int. Reg. Pub. Date: **Aug. 10, 2018**

(30) **Foreign Application Priority Data**

Aug. 7, 2017 (KR) 30-2017-0036464

(51) **LOC (12) Cl.** **14-03**

(52) **U.S. Cl.**
USPC **D14/500**

(58) **Field of Classification Search**
USPC D14/163, 168, 171, 172, 188, 194, 204, D14/209.1, 215, 500
CPC H04W 88/00; H04W 88/04; H04B 1/38; G10H 1/361; H04R 5/00; H04R 1/02; H04R 1/04; H04R 1/08; H04R 9/06
See application file for complete search history.

(56) **References Cited**

U.S. PATENT DOCUMENTS

D228,523 S *	10/1973	Wilkes	D14/172
D245,038 S *	7/1977	Ebata	D14/163
D253,590 S *	12/1979	Klucznik	D14/163
D269,177 S *	5/1983	Iijima	D14/163
D277,751 S *	2/1985	Ohno	D14/163
D277,752 S *	2/1985	Nakamura	D14/214
D283,613 S *	4/1986	Nakamura	D14/163
D410,649 S *	6/1999	Kobayashi	D14/163
D500,021 S *	12/2004	Hu	D14/168
D504,412 S *	4/2005	Obata	D14/168
D542,263 S *	5/2007	Caspi	D12/501
D571,347 S *	6/2008	Masul	D14/168
D628,553 S *	12/2010	Cho	D14/168
D633,077 S *	2/2011	Miller	D14/168
D678,240 S *	3/2013	Park	D14/172

* cited by examiner

Primary Examiner — Robert M. Spear
(74) *Attorney, Agent, or Firm* — Birch, Stewart, Kolasch & Birch, LLP

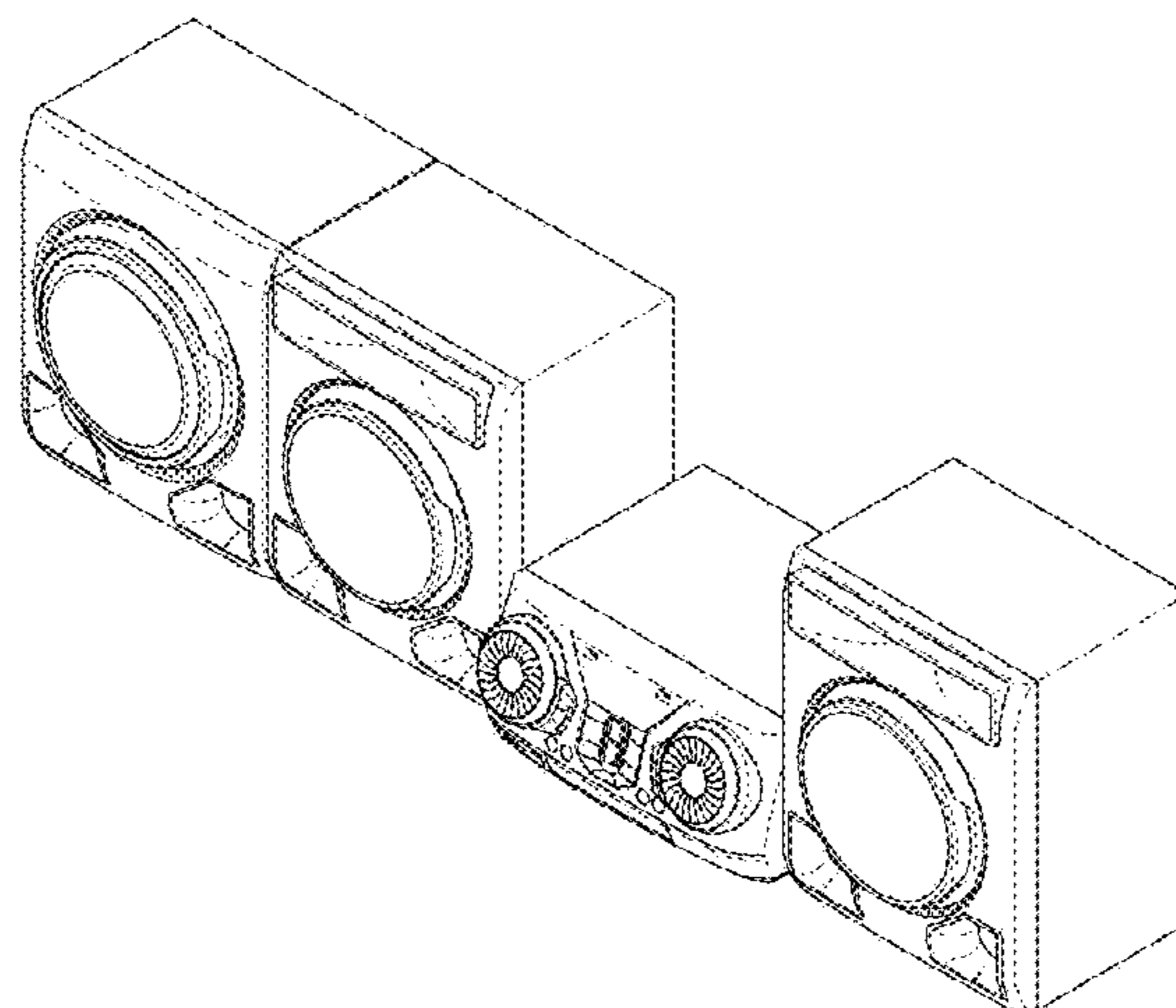
(57) **CLAIM**

The ornamental design for an audio playing system, as shown and described.

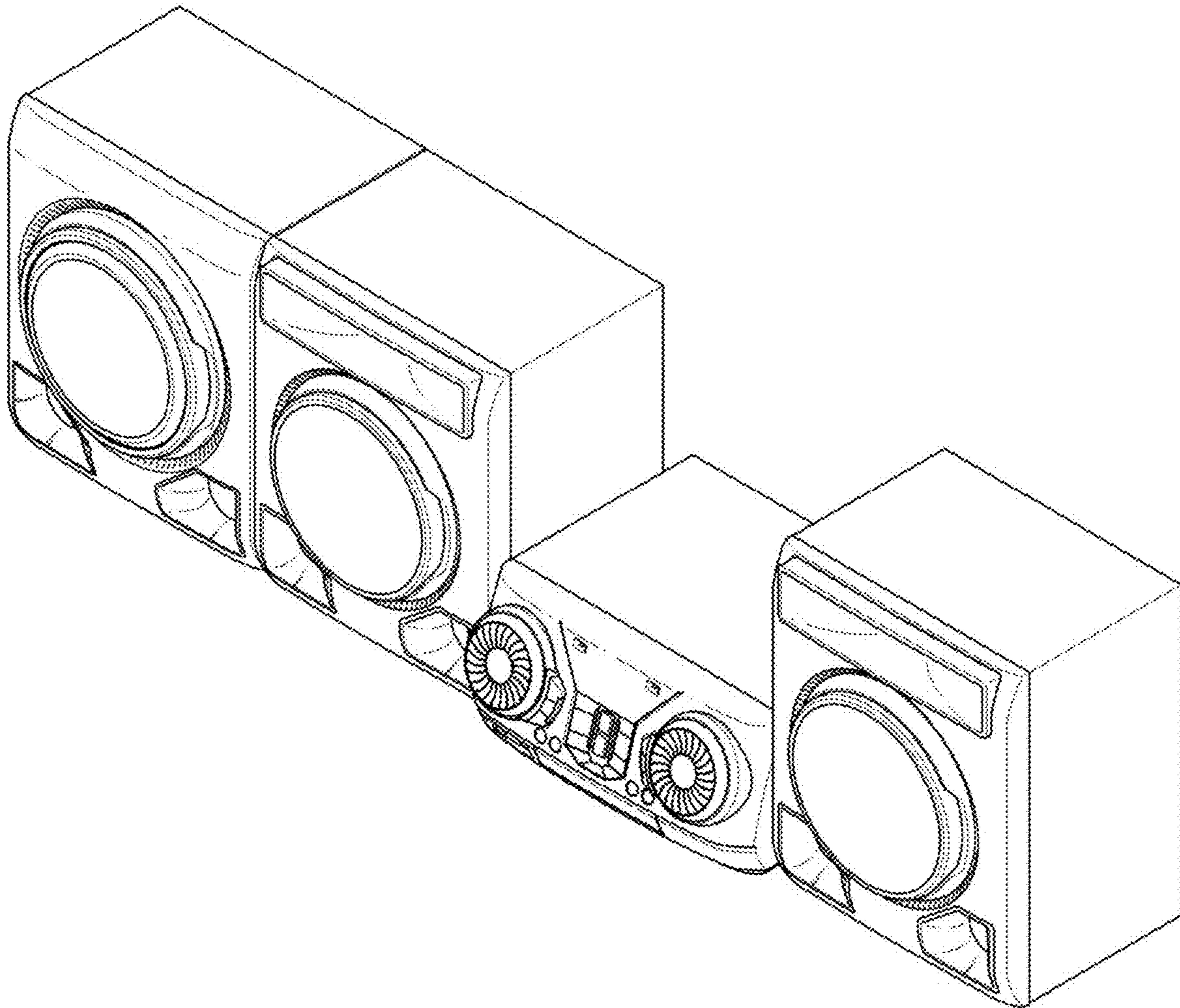
DESCRIPTION

- 1. Audio playing system
- 1.1 : Perspective
- 1.2 : Front
- 1.3 : Back
- 1.4 : Left
- 1.5 : Right
- 1.6 : Top
- 1.7 : Bottom

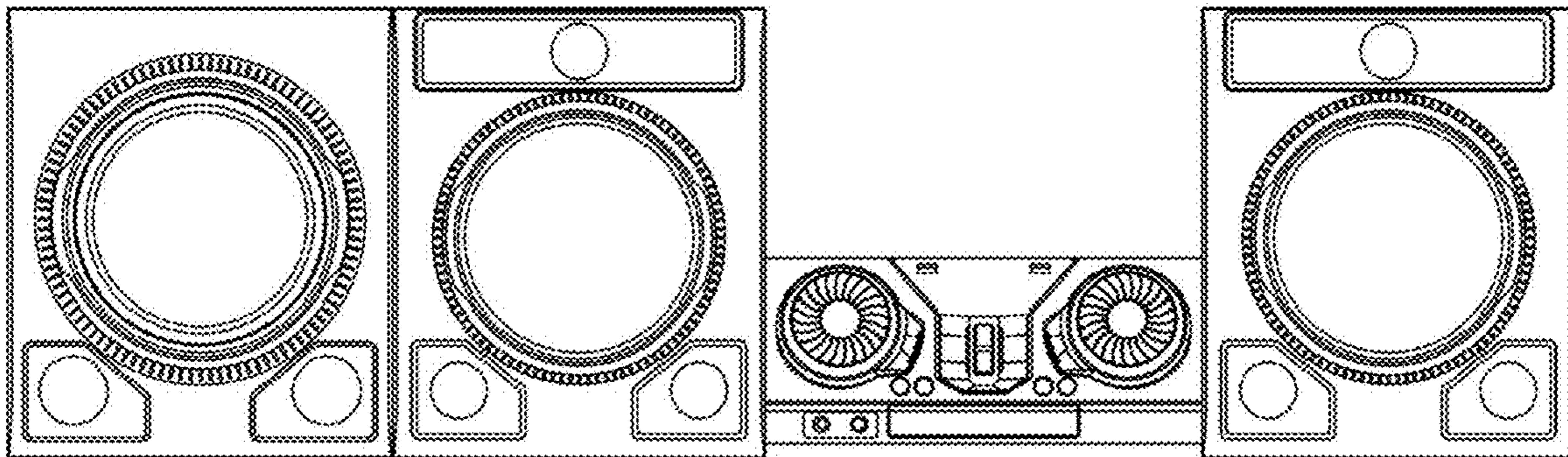
1 Claim, 7 Drawing Sheets



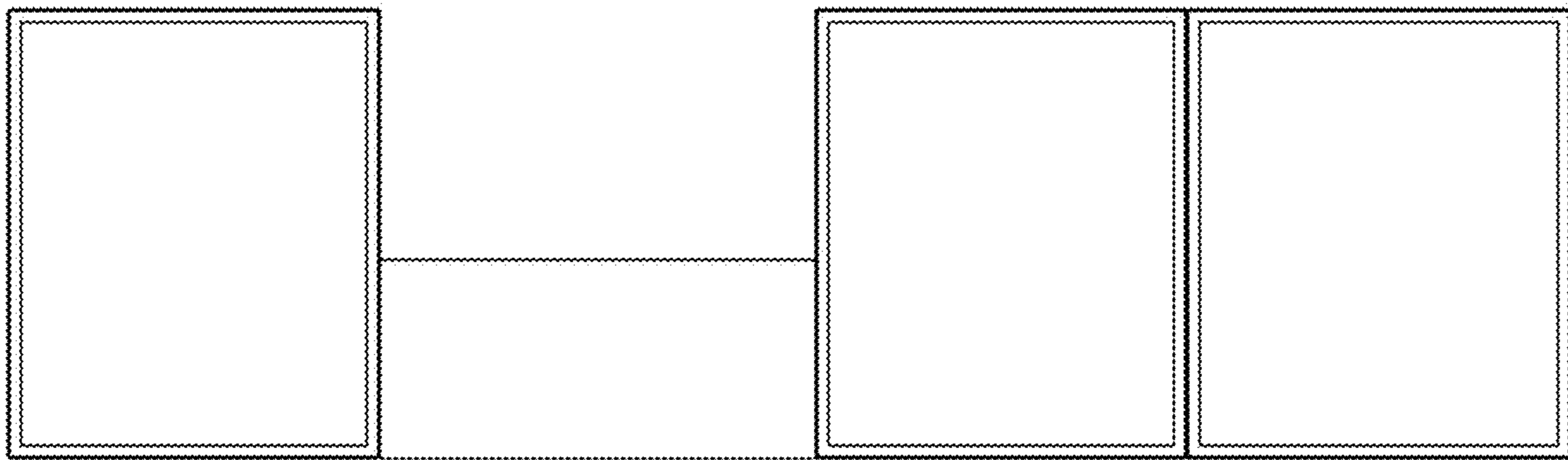
1.1

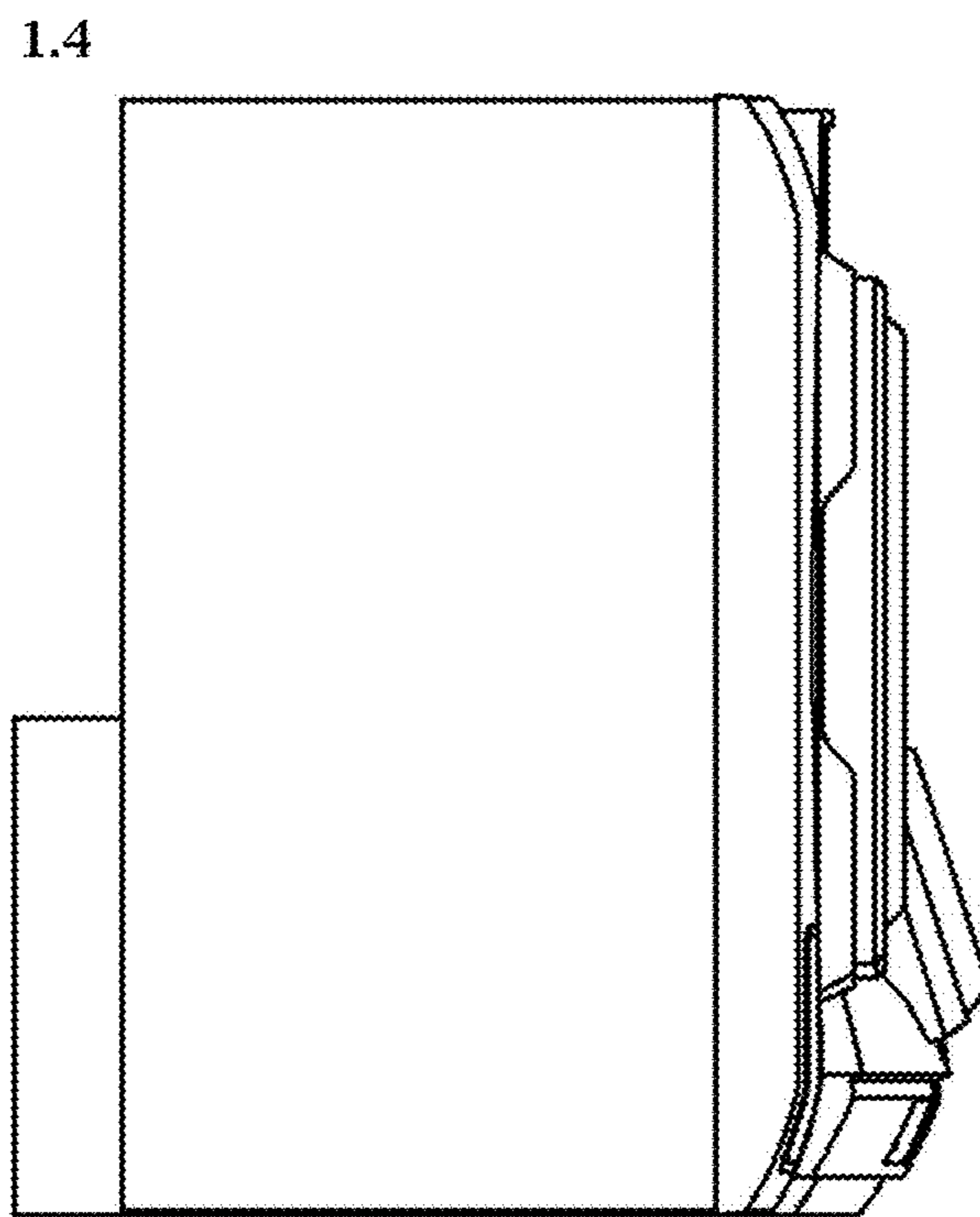


1.2

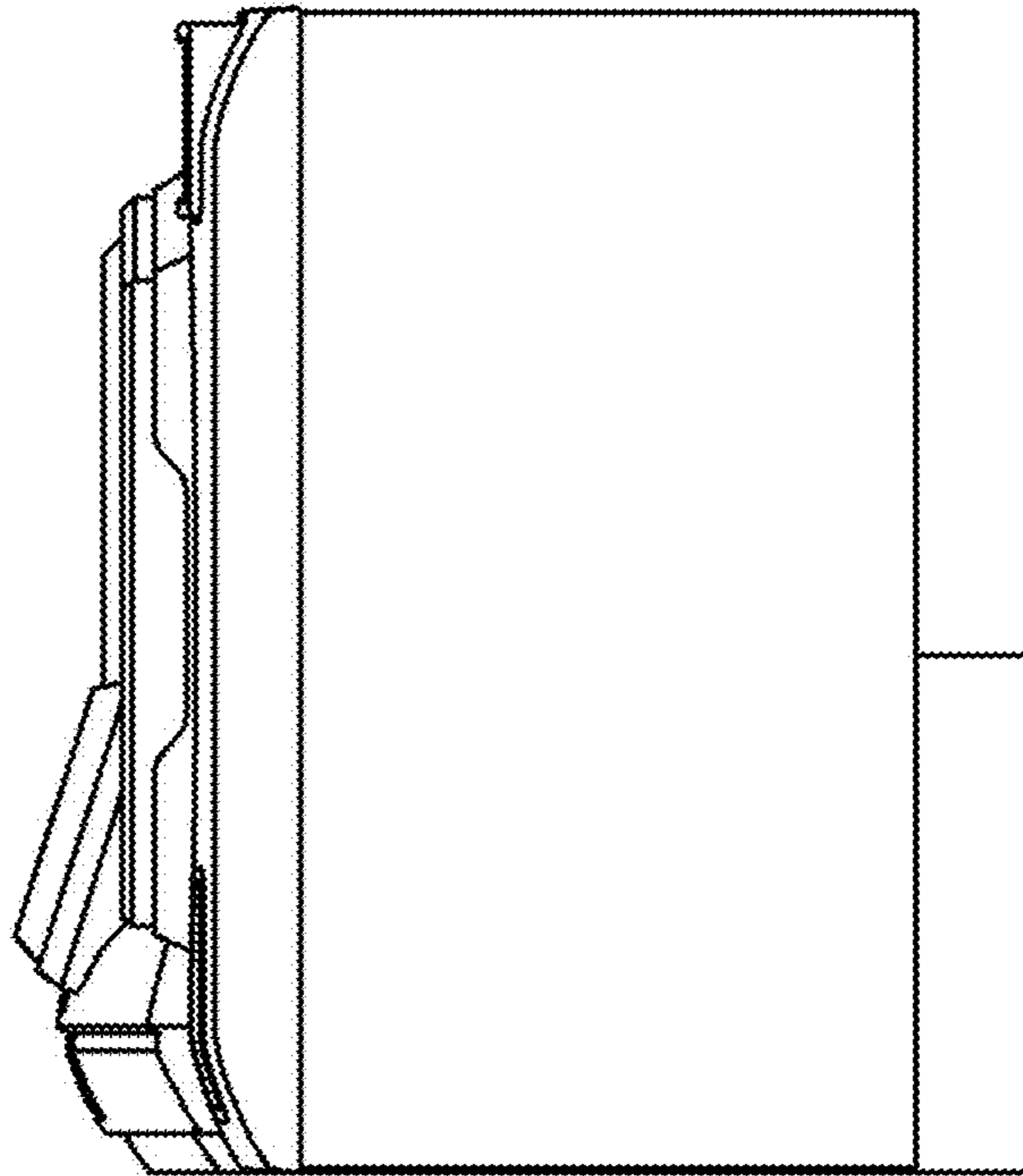


1.3

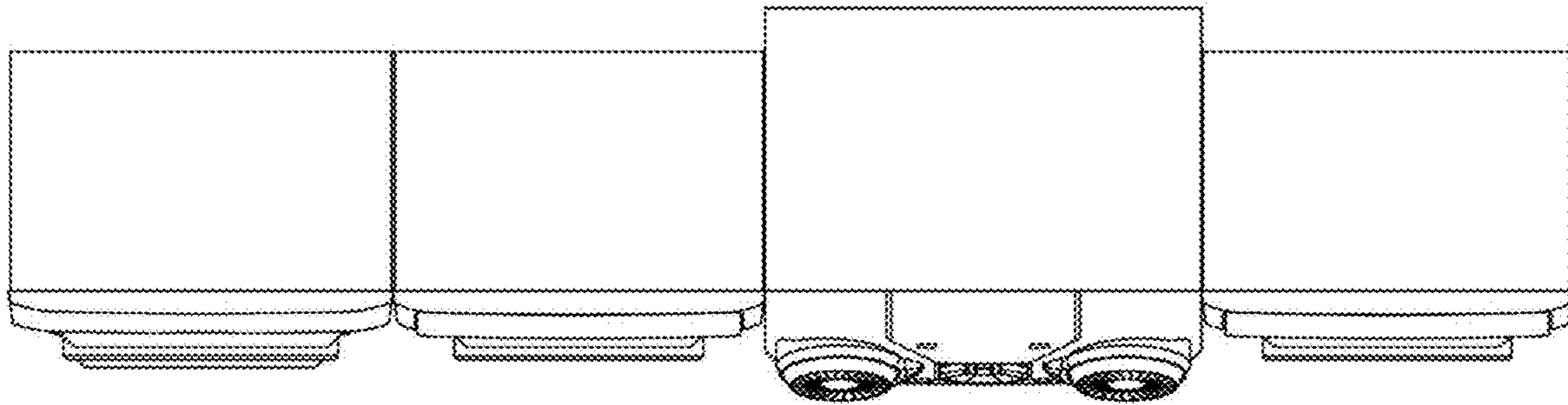




1.5



1.6



1.7

