



US00D863357S

(12) **United States Design Patent**
Epain

(10) **Patent No.:** **US D863,357 S**

(45) **Date of Patent:** **** Oct. 15, 2019**

(54) **COMMUNICATION DEVICE**

(71) Applicant: **OVERKIZ**, Metz-Tessy (FR)

(72) Inventor: **Didier Epain**, Poisy (FR)

(73) Assignee: **OVERKIZ**, Epagny Metz-Tessy (FR)

(**) Term: **15 Years**

(21) Appl. No.: **35/504,364**

(22) Filed: **Dec. 29, 2017**

(80) **Hague Agreement Data**

Int. Filing Date: **Dec. 29, 2017**

Int. Reg. No.: **DM/099384**

Int. Reg. Date: **Dec. 29, 2017**

Int. Reg. Pub. Date: **Feb. 2, 2018**

(30) **Foreign Application Priority Data**

Nov. 3, 2017 (EM) 004493336-0001

(51) **LOC (12) Cl.** **14-03**

(52) **U.S. Cl.**
USPC **D14/496**

(58) **Field of Classification Search**

USPC D14/216, 240, 242, 358, 496, 509, 511

CPC H04W 88/00; H04W 88/04; H04L 12/00;
H03K 17/00; H04B 1/38

See application file for complete search history.

(56) **References Cited**

U.S. PATENT DOCUMENTS

D329,234 S * 9/1992 Winkelbauer D14/204

D534,898 S * 1/2007 Rashid D14/216

D686,186 S *	7/2013	Kaneko	D14/168
D696,646 S *	12/2013	Deguchi	D14/216
D698,753 S *	2/2014	Yiu	D14/216
D723,514 S *	3/2015	Lukic	D14/213
D752,023 S *	3/2016	Lee	D14/216
D766,213 S *	9/2016	Hinokio	D14/216
D770,534 S *	11/2016	Thissen	D14/496
D807,820 S *	1/2018	Nazar	D13/108
D813,210 S *	3/2018	Benedetti	D14/230
D815,076 S *	4/2018	Shin	D14/242

* cited by examiner

Primary Examiner — Michael A. Pratt

(74) *Attorney, Agent, or Firm* — Stephen J. Wayer, Esq.;
Stites & Harbison, PLLC.

(57) **CLAIM**

The ornamental design for a communication device, as shown and described.

DESCRIPTION

1. Communication device

1.1 : Perspective

1.2 : Front

1.3 : Back

1.4 : Right

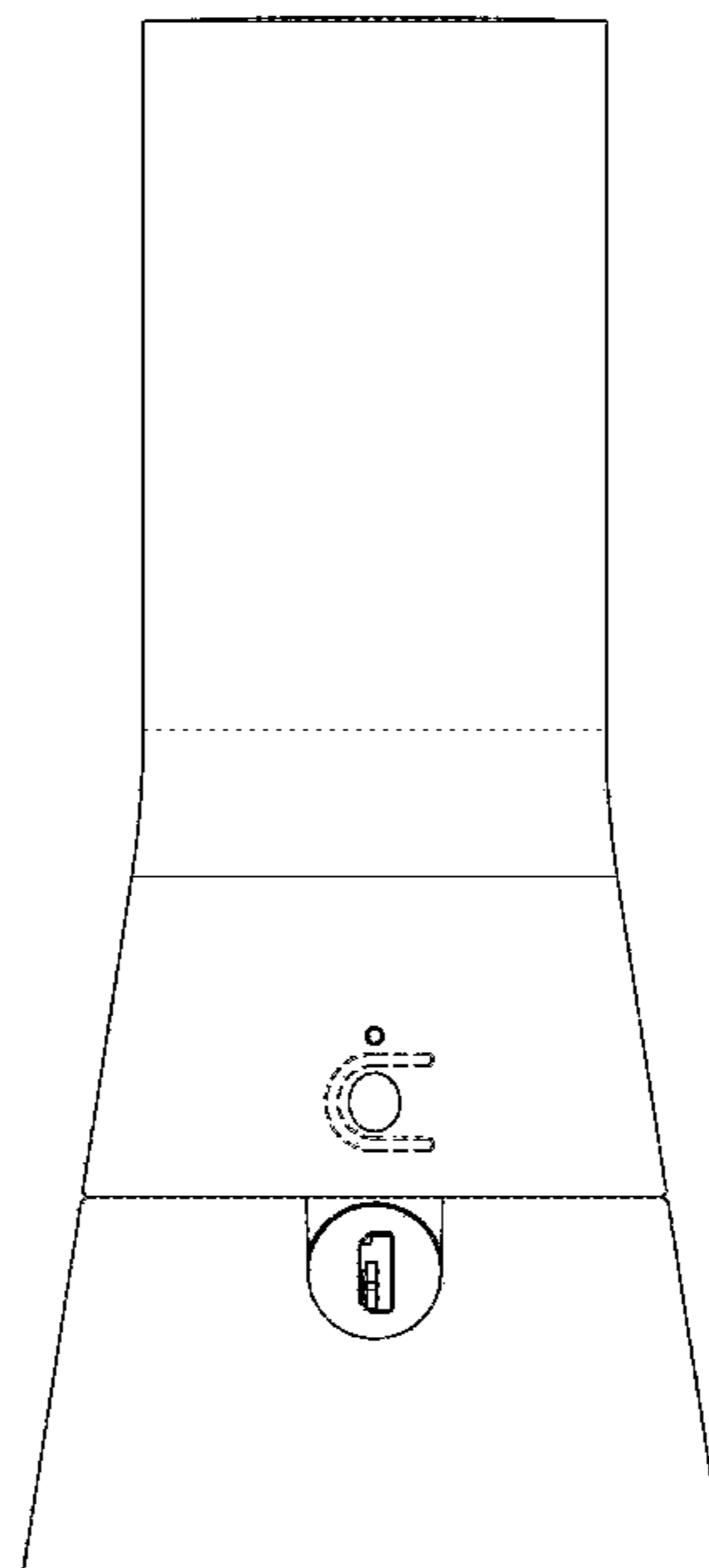
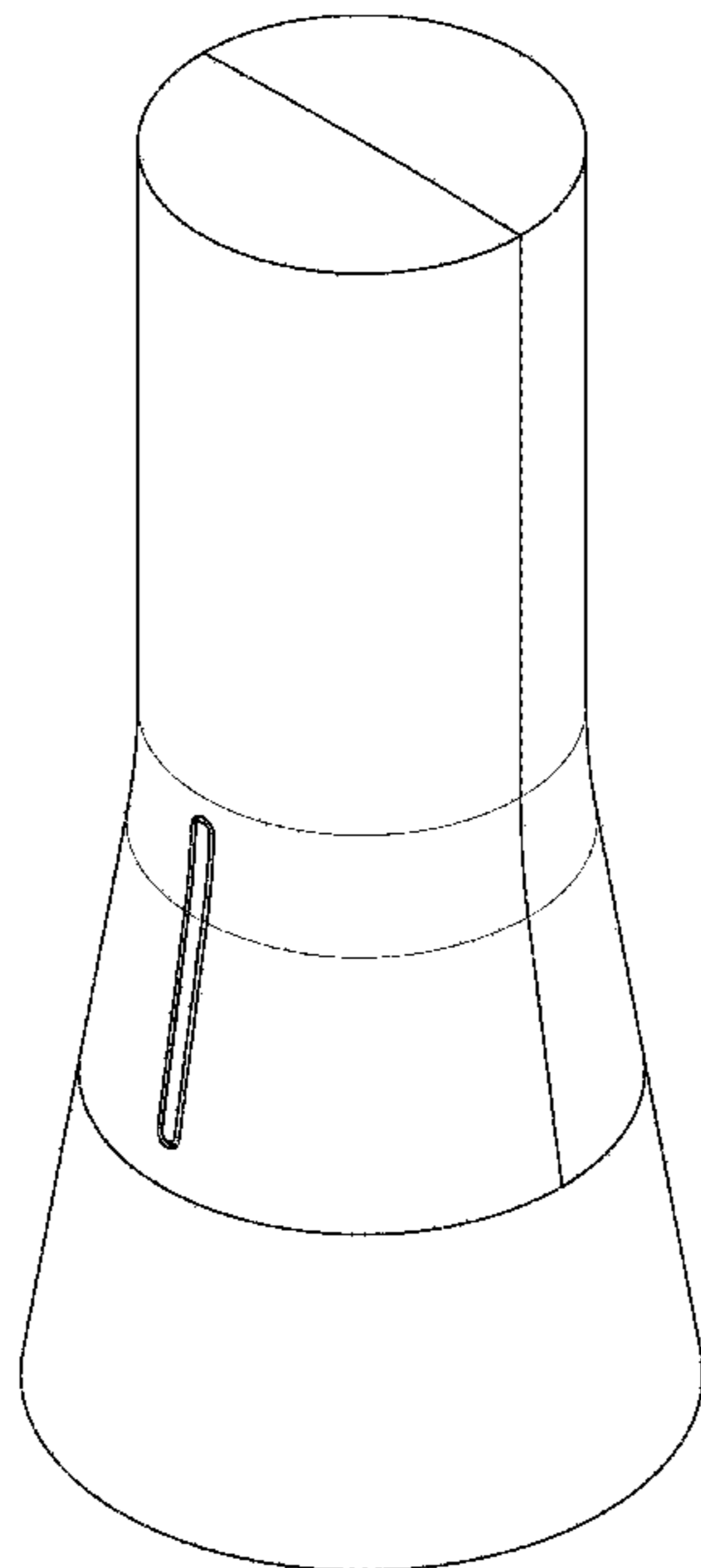
1.5 : Left

1.6 : Top

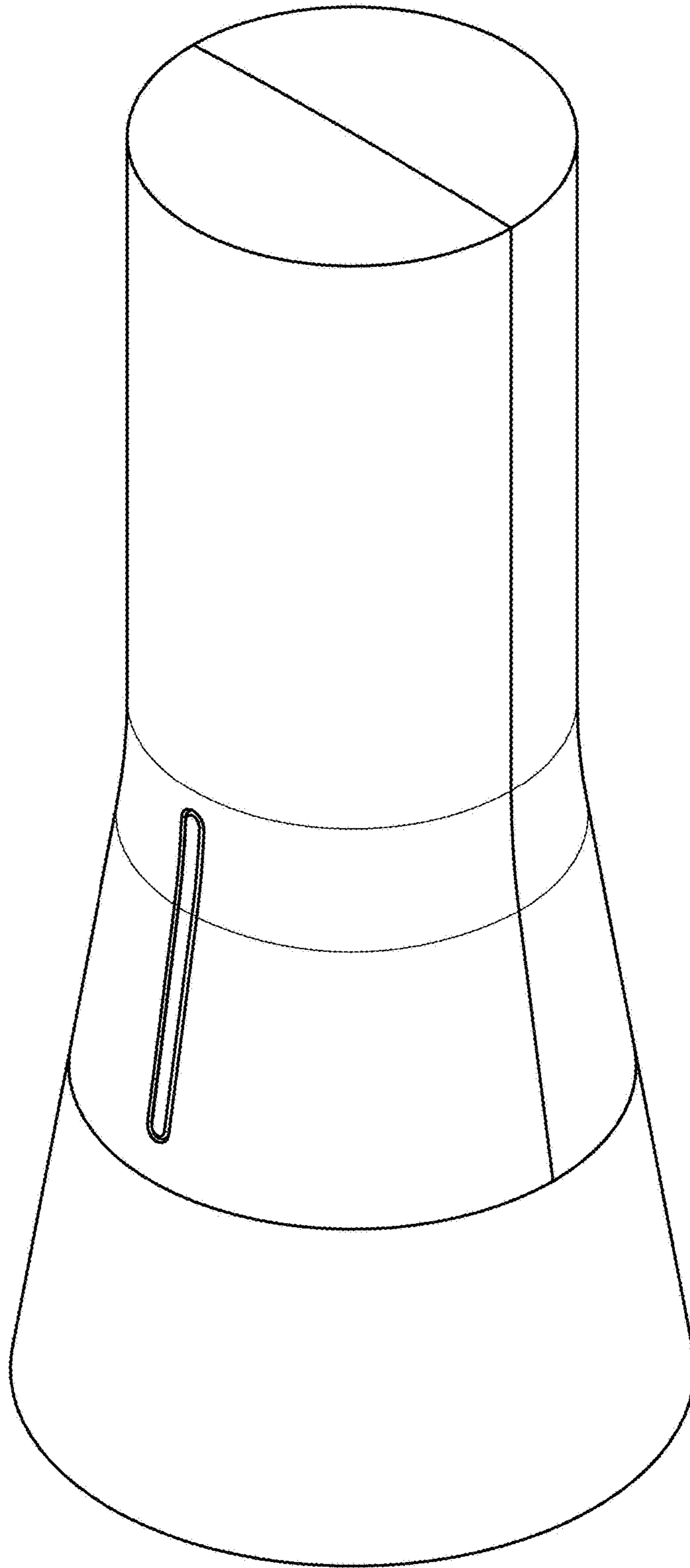
1.7 : Bottom

Elements drawn in broken lines represent environmental aspects which form no part of the claimed design.

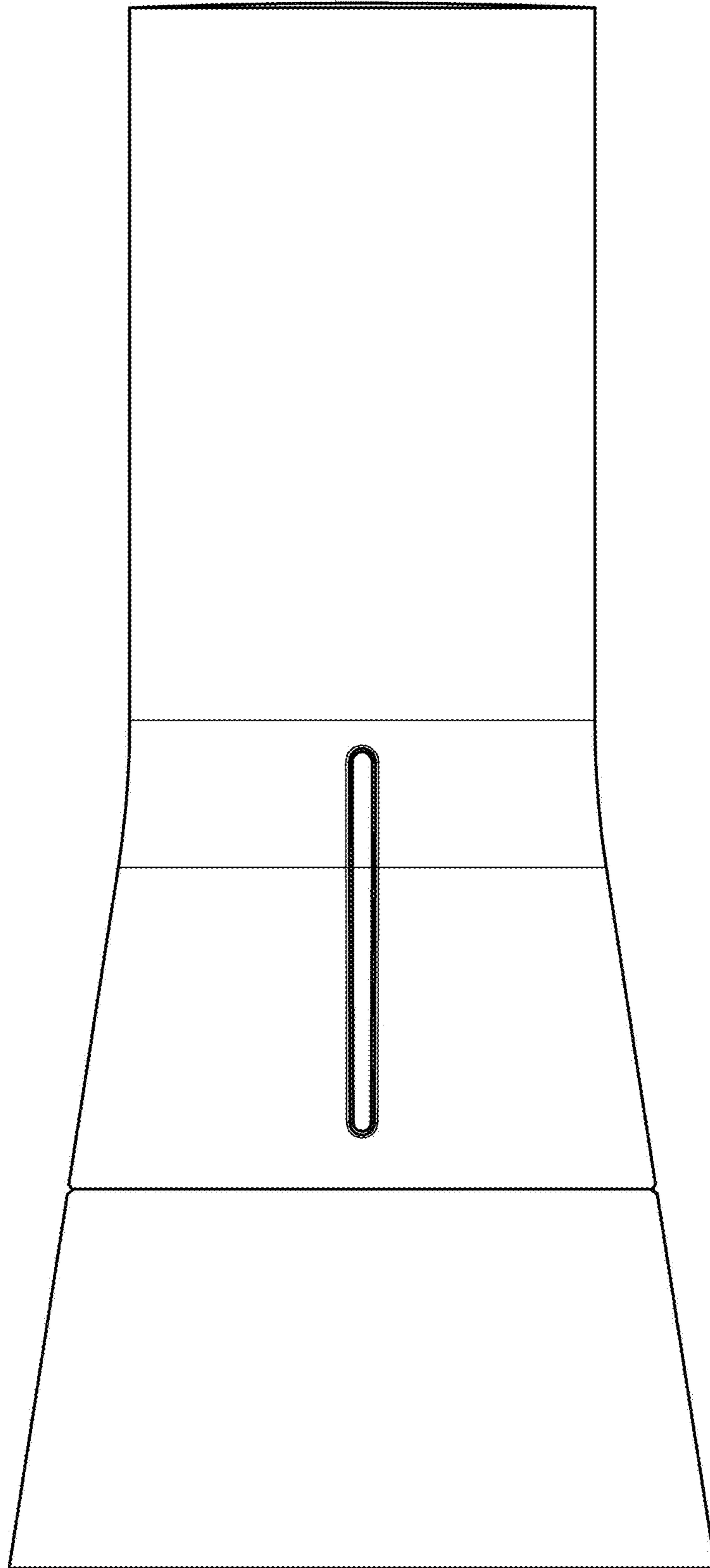
1 Claim, 7 Drawing Sheets



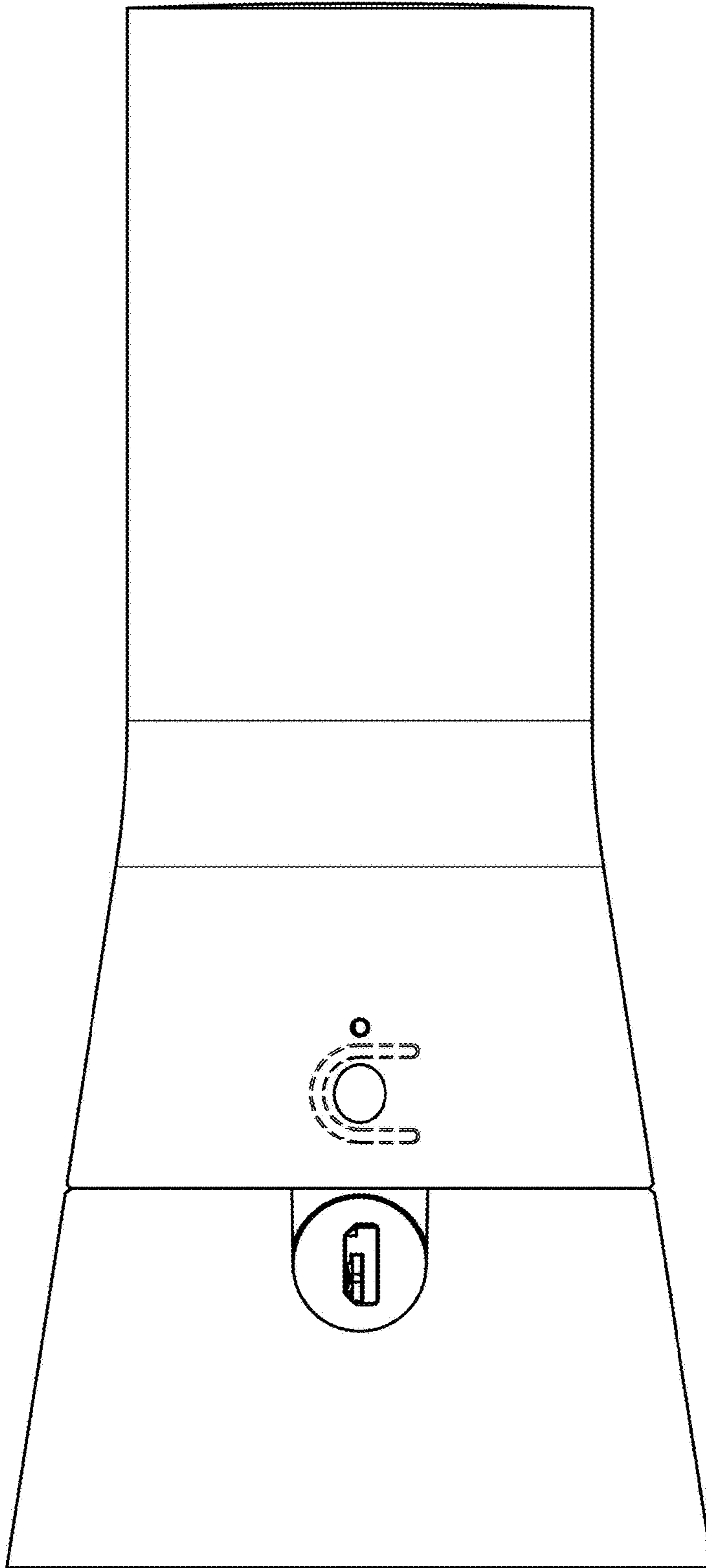
1.1



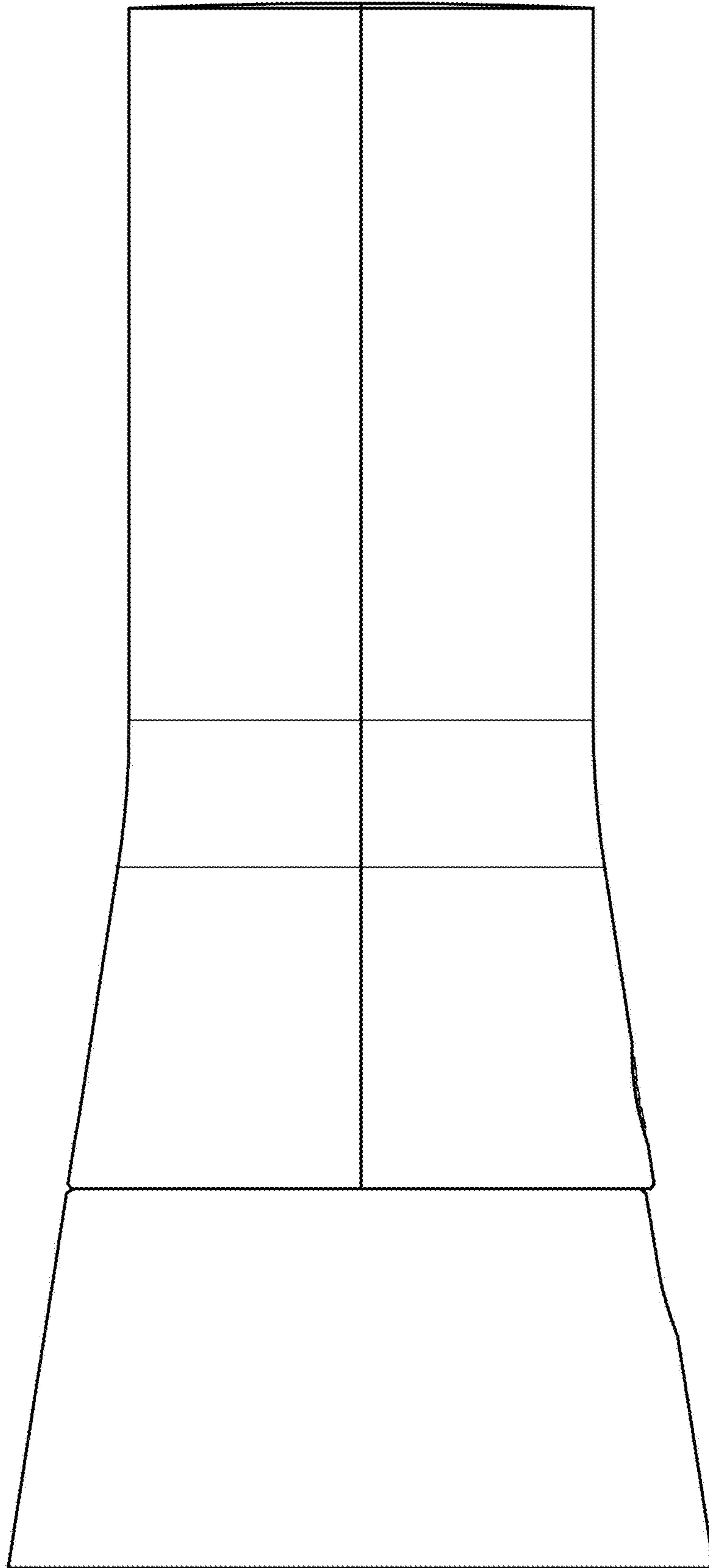
1.2



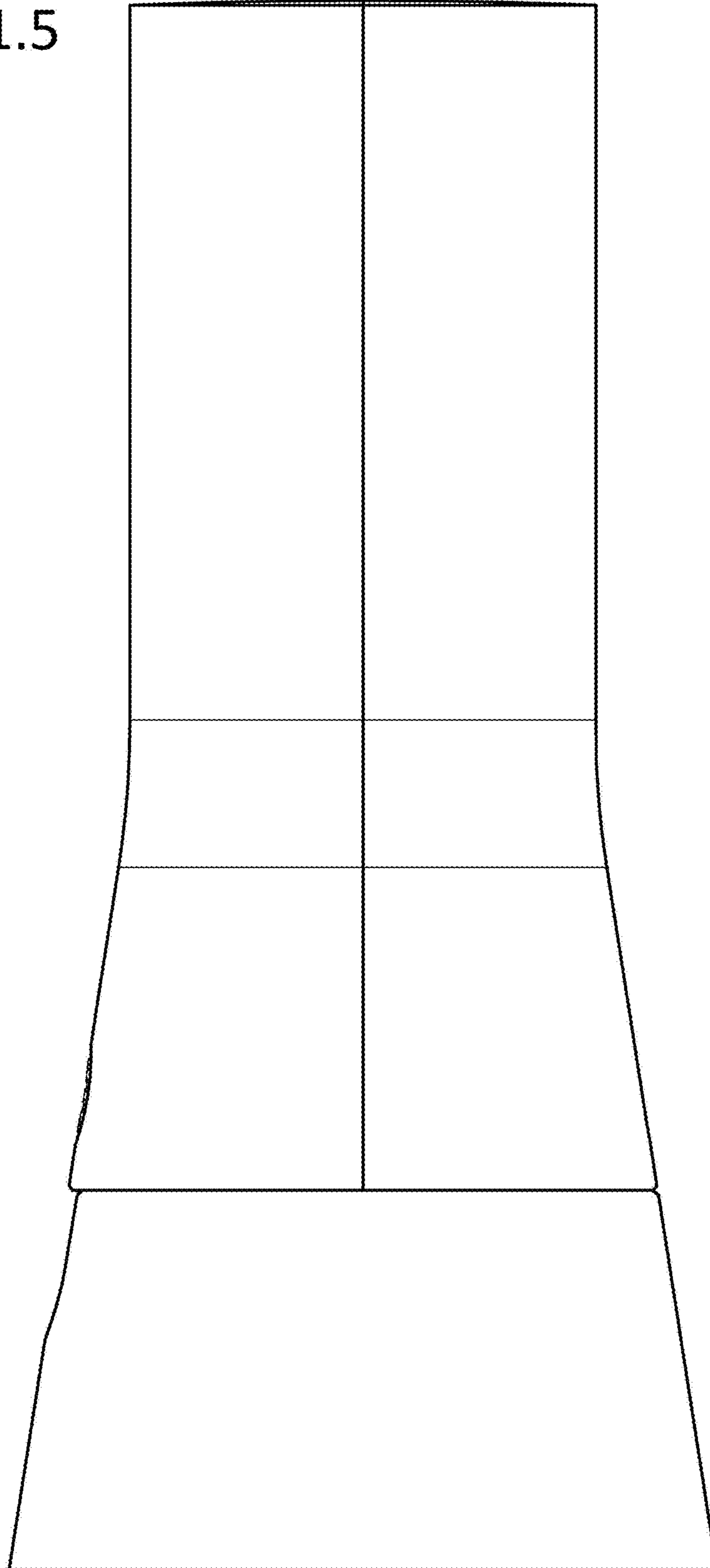
1.3



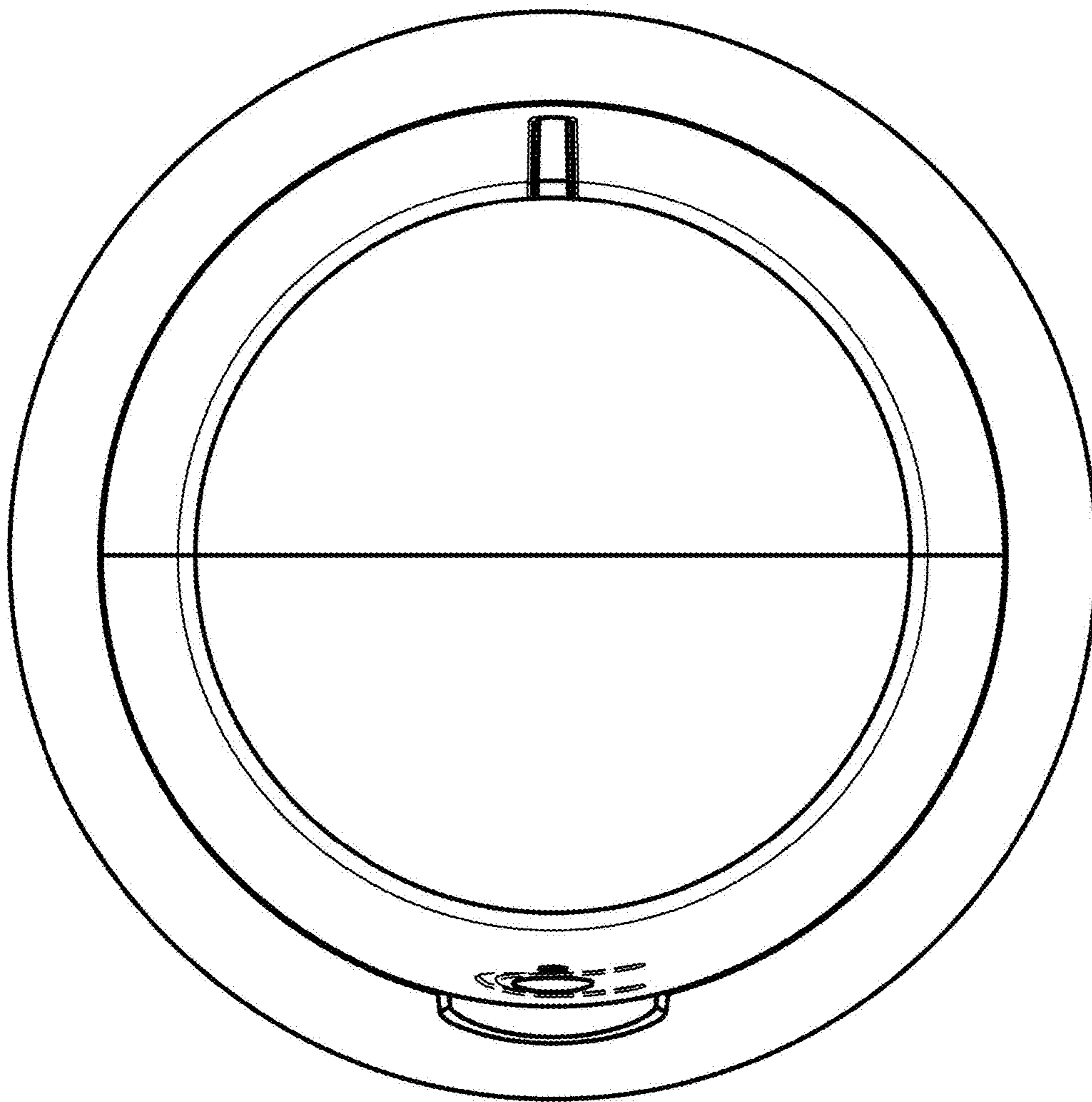
1.4



1.5



1.6



1.7

