



US00D863320S

(12) **United States Design Patent**
Roberts

(10) **Patent No.:** **US D863,320 S**

(45) **Date of Patent:** **** Oct. 15, 2019**

- (54) **USB MEMORY DEVICE**
- (71) Applicant: **James Roberts**, St Martin (JE)
- (72) Inventor: **James Roberts**, St Martin (JE)
- (73) Assignee: **Flashbay Electronics Hong Kong Limited**, Hong Kong (HK)
- (**) Term: **15 Years**
- (21) Appl. No.: **29/665,124**
- (22) Filed: **Oct. 1, 2018**
- (51) **LOC (12) Cl.** **14-03**
- (52) **U.S. Cl.**
USPC **D14/480.6**
- (58) **Field of Classification Search**
USPC D14/480.1–480.7, 435.1, 411, 433, 436,
D14/484.1, 137, 155, 203.1–203.8, 240,
D14/242; D13/133, 154
CPC H05K 5/0278; G06K 19/07732
See application file for complete search history.

- D705,235 S * 5/2014 Slemp D14/480.6
- D711,390 S * 8/2014 Sun D14/480.6
- D711,391 S * 8/2014 Lee D14/480.7
- D712,414 S * 9/2014 Tsai D14/480.6
- D721,714 S * 1/2015 Enayati D14/480.6
- D749,600 S * 2/2016 Emami D14/480.6
- D754,141 S * 4/2016 Billington D14/480.6
- D806,715 S * 1/2018 Chen D14/480.6
- D825,579 S * 8/2018 Chiu D14/480.6

* cited by examiner

Primary Examiner — Angela J Lee

(57) **CLAIM**

The ornamental design for a USB memory device, as shown and described.

DESCRIPTION

FIG. 1 is a top view of the USB memory device, the bottom being a mirror image thereof.
 FIG. 2 is a front view of the USB memory device.
 FIG. 3 is a left side view of the USB memory device, the right side being a mirror image thereof.
 FIG. 4 is a rear view of the USB memory device.
 FIG. 5 is a top, rear, right perspective of the USB memory device.
 FIG. 6 is a top, front, left perspective of the USB memory device.
 FIG. 7 is a top, front, left perspective of the USB memory device in an open position; and,
 FIG. 8 is a bottom, front, right perspective of the USB memory device in an open position.

1 Claim, 2 Drawing Sheets

(56) **References Cited**

U.S. PATENT DOCUMENTS

- D602,026 S * 10/2009 Lo D14/480.7
- D622,278 S * 8/2010 Ma D14/480.6
- D623,192 S * 9/2010 Peng D14/480.6
- D685,807 S * 7/2013 Billington D14/480.5

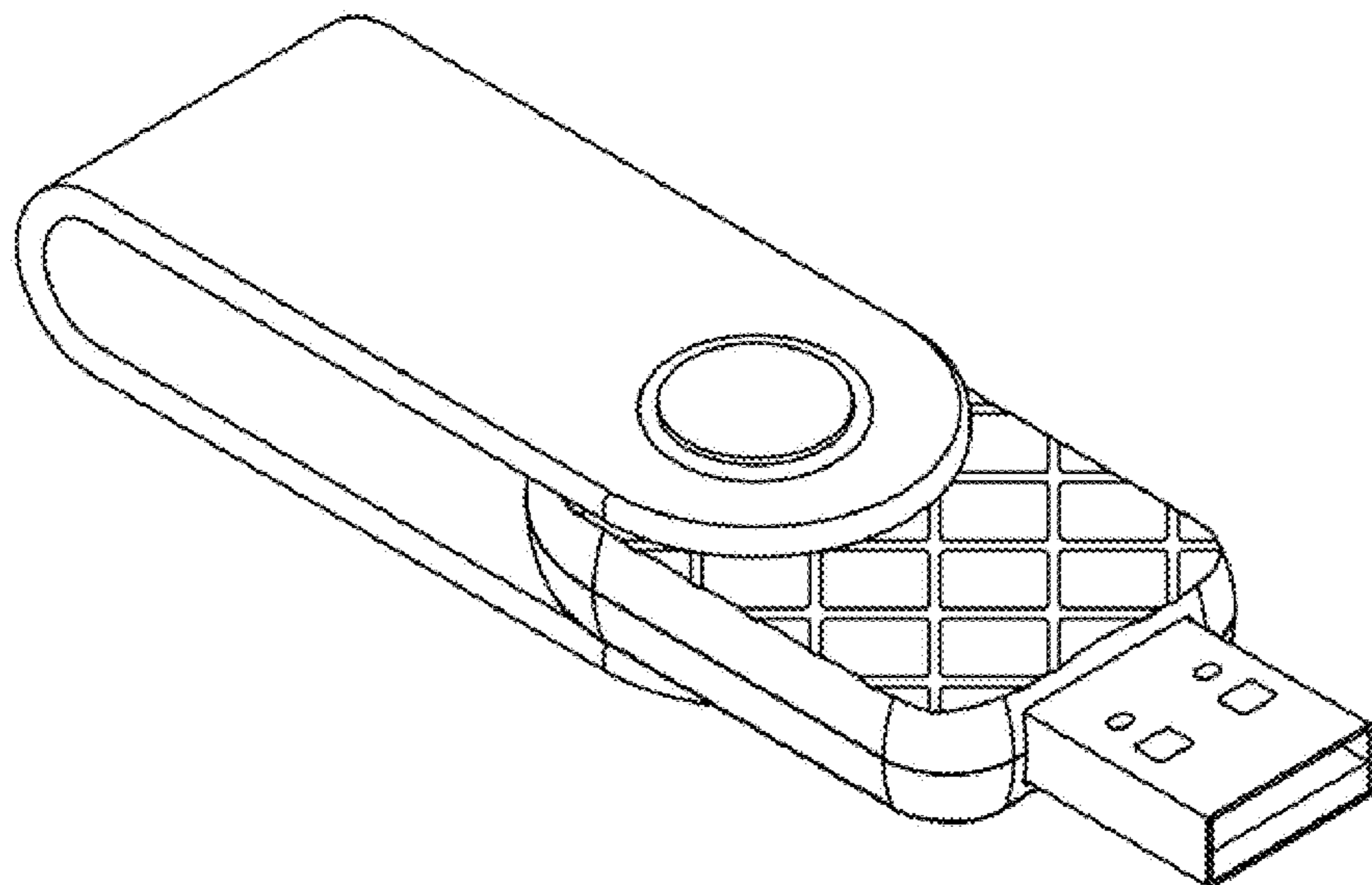


FIG.1

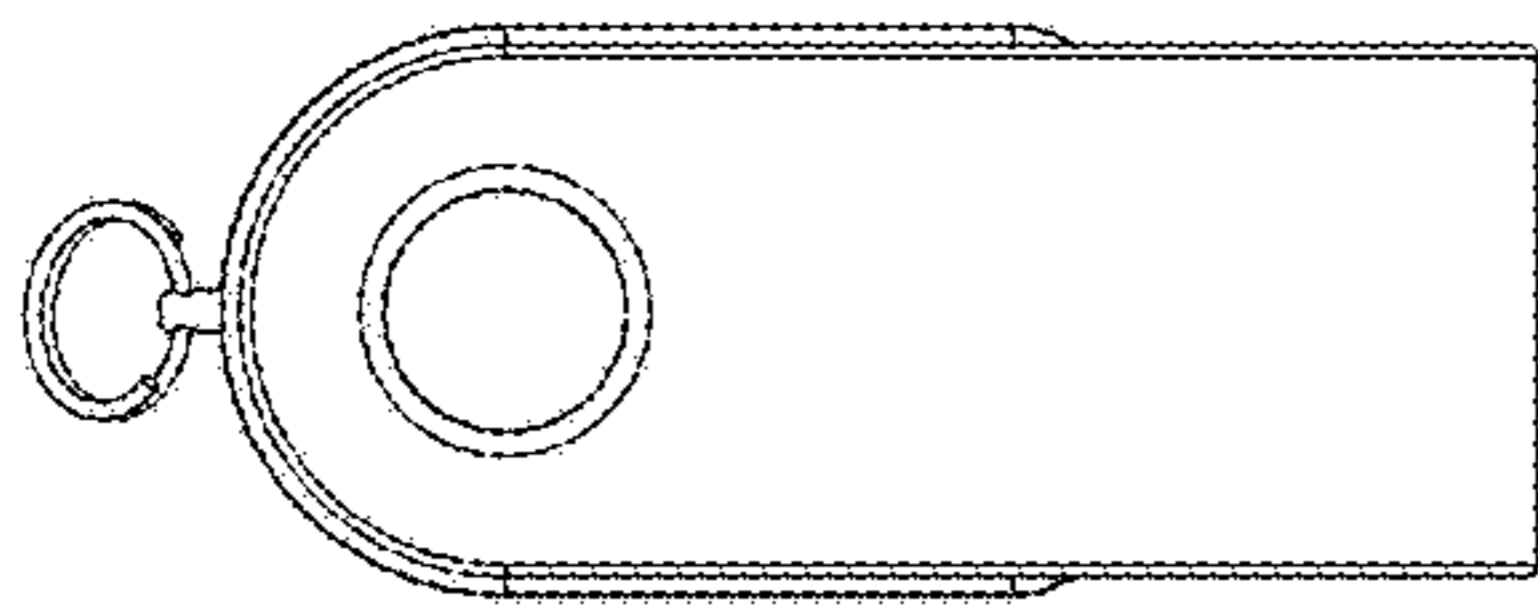


FIG.2

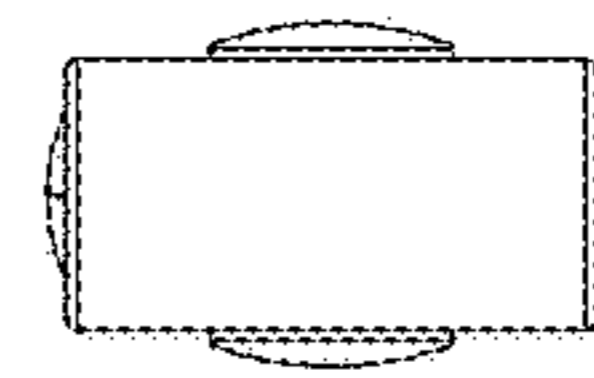


FIG.3

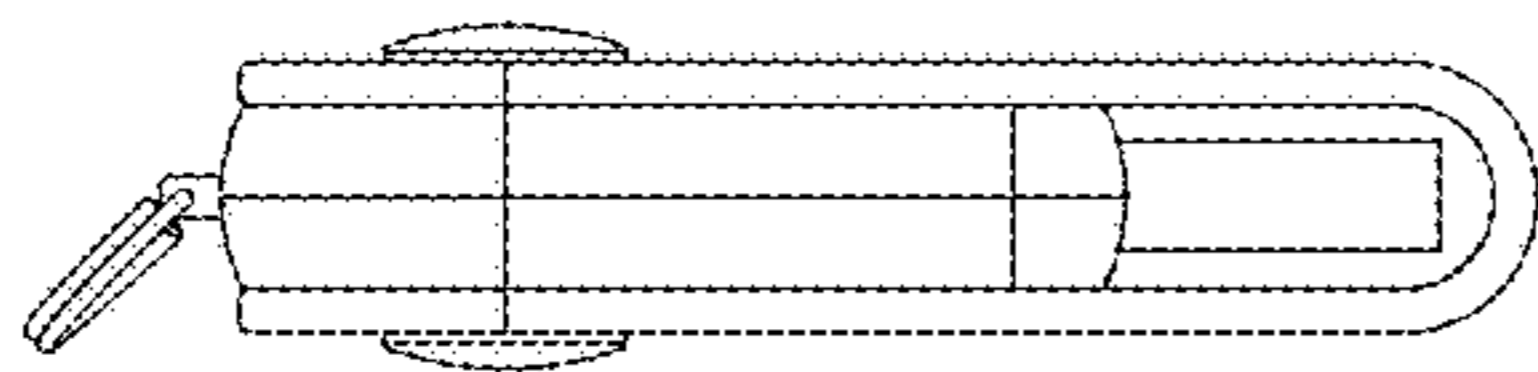


FIG.4

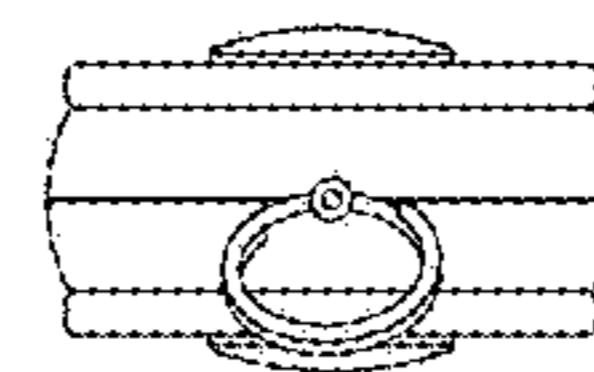


FIG.5

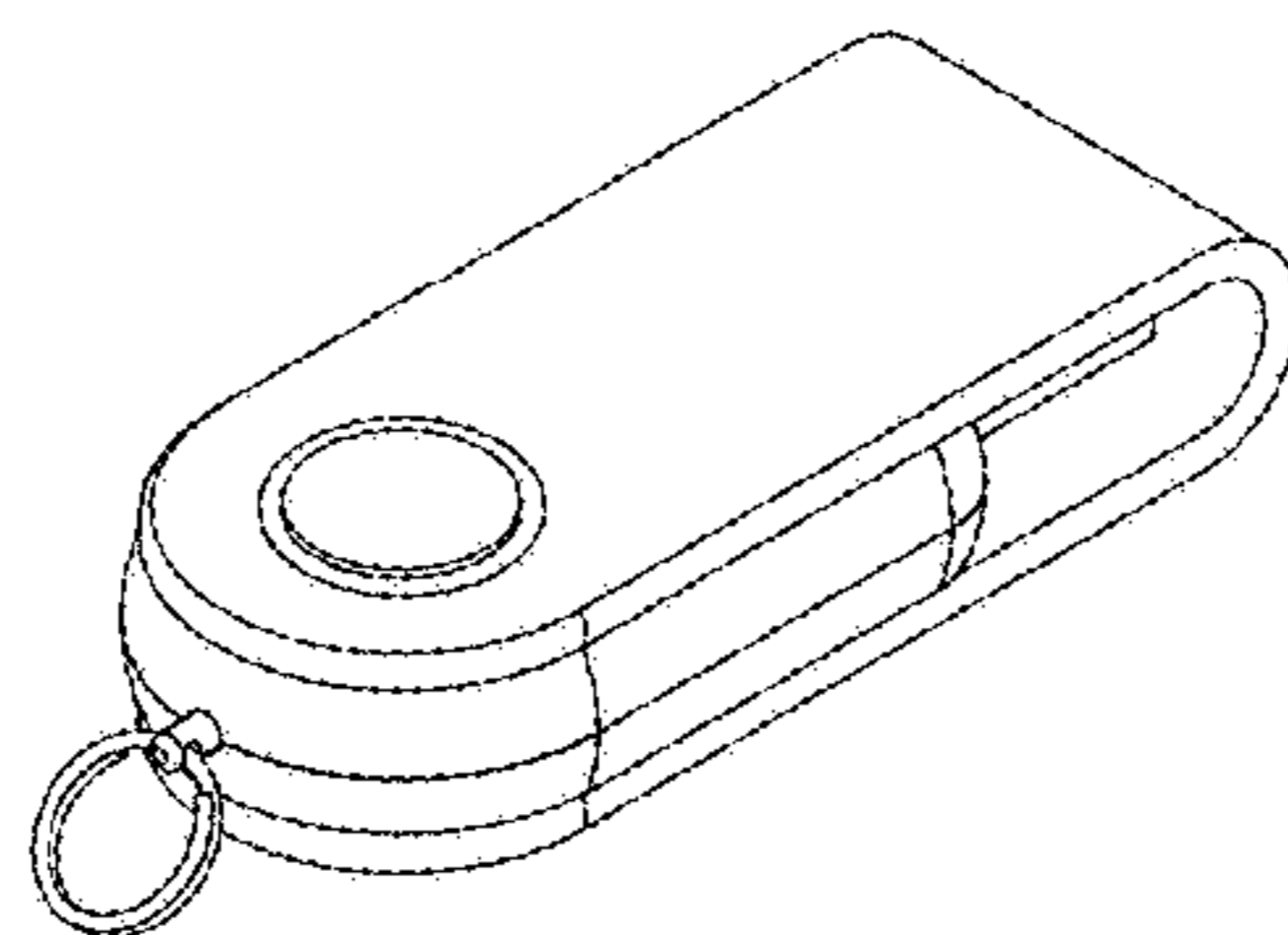


FIG.6

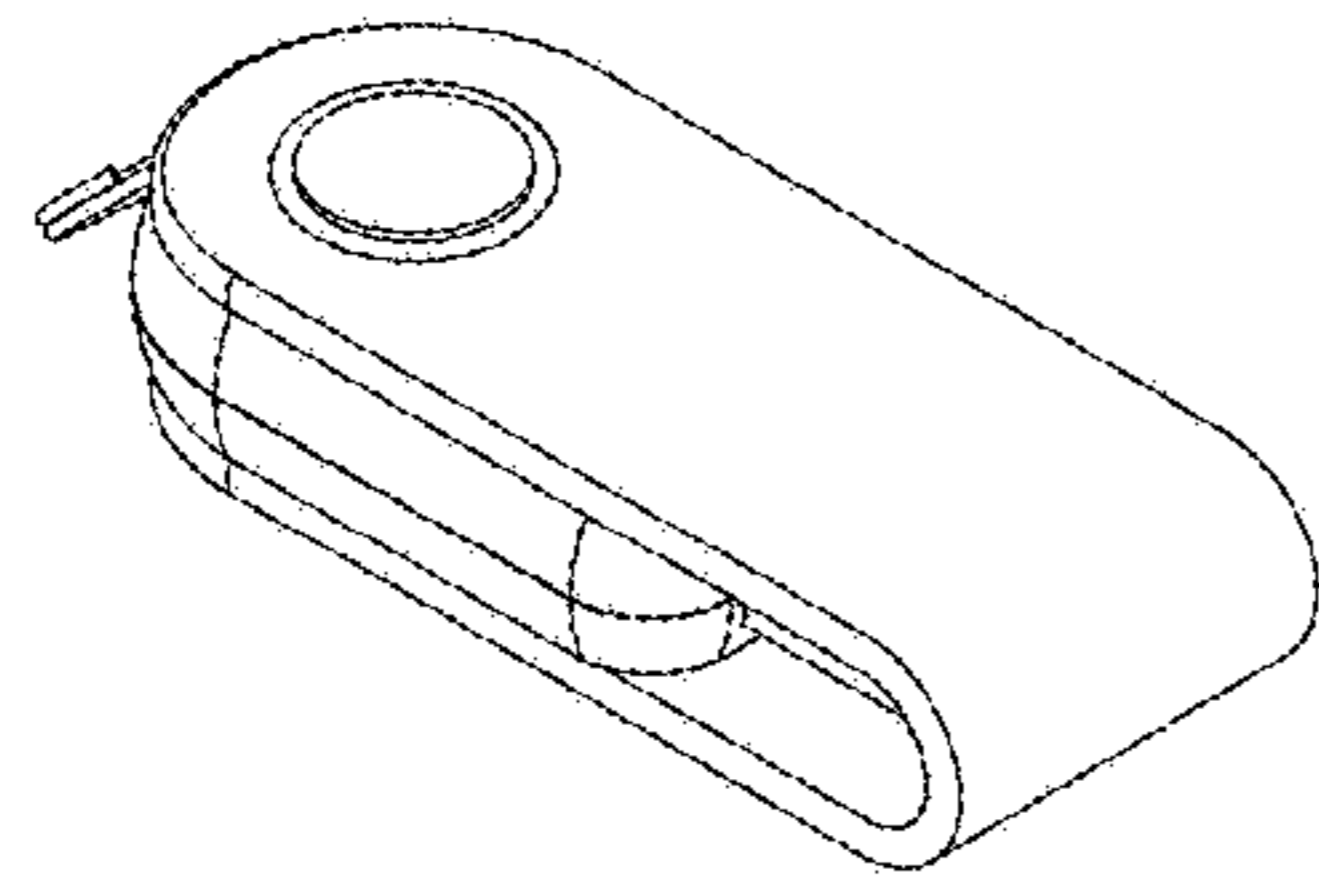


FIG.7

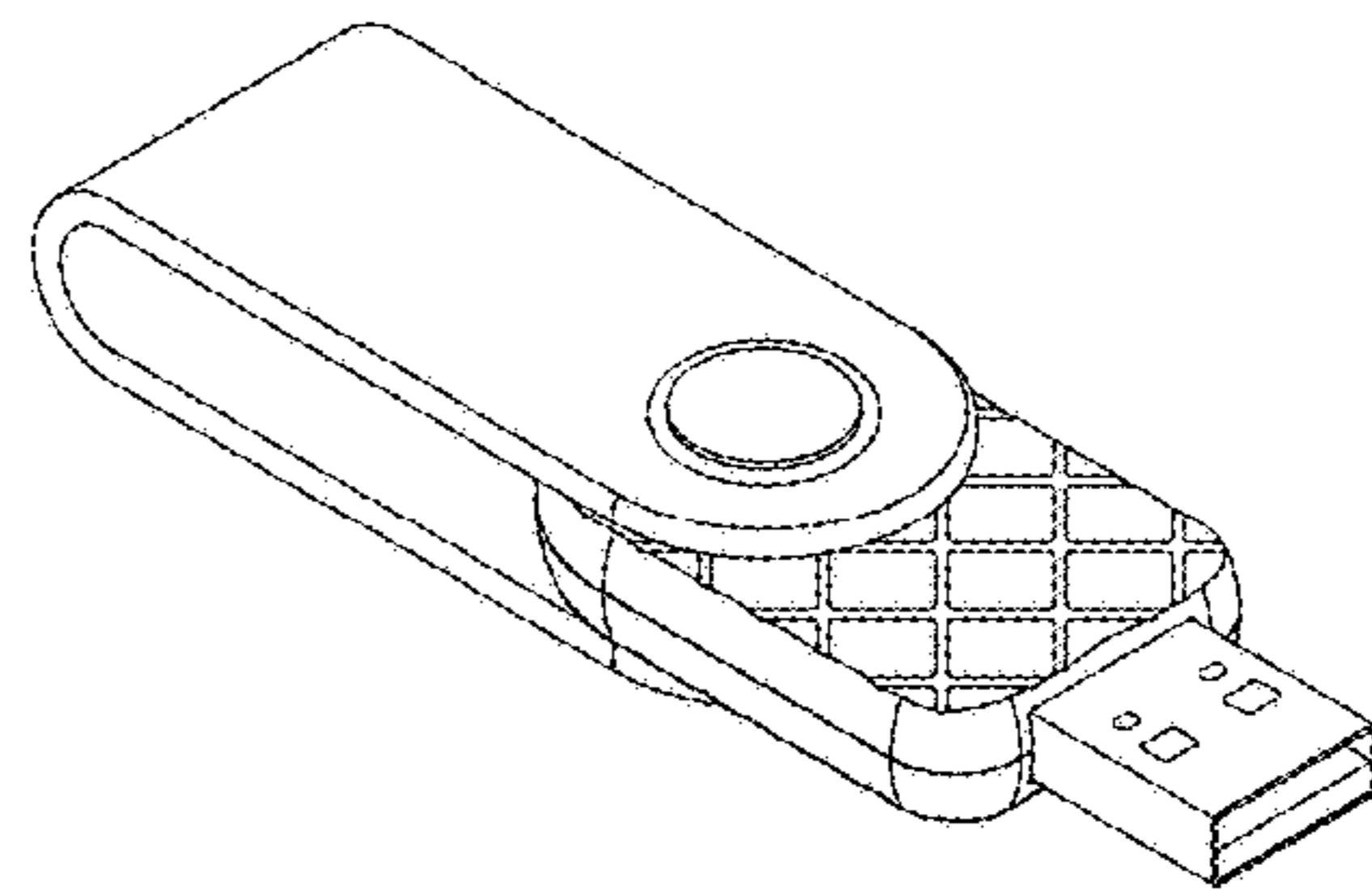


FIG.8

