



US00D863319S

(12) **United States Design Patent**  
**Roberts**

(10) **Patent No.:** **US D863,319 S**

(45) **Date of Patent:** **\*\* Oct. 15, 2019**

(54) **USB MEMORY DEVICE**

(71) Applicant: **James Roberts**, St Martin (JE)

(72) Inventor: **James Roberts**, St Martin (JE)

(73) Assignee: **Flashbay Electronics Hong Kong Limited**, Hong Kong (HK)

(\*\*) Term: **15 Years**

(21) Appl. No.: **29/643,523**

(22) Filed: **Apr. 10, 2018**

(51) **LOC (12) Cl.** ..... **14-03**

(52) **U.S. Cl.**  
USPC ..... **D14/480.6**

(58) **Field of Classification Search**  
USPC ..... D14/480.1–480.7, 435.1, 411, 433, 436,  
D14/484.1, 137, 155, 203.1–203.8, 240,  
D14/242; D13/133, 154  
CPC ..... H05K 5/0278; G06K 19/07732  
See application file for complete search history.

(56) **References Cited**

**U.S. PATENT DOCUMENTS**

D581,926 S *	12/2008	Kim	.....	D14/480.6
D623,192 S *	9/2010	Peng	.....	D14/480.6
D630,640 S *	1/2011	Kuo	.....	D14/480.5
D654,923 S *	2/2012	Pan	.....	D14/480.6
D675,632 S *	2/2013	Bedol	.....	D14/480.2
8,514,560 B2 *	8/2013	Wu	.....	H05K 5/0278 361/679.31
D705,235 S *	5/2014	Slemp	.....	D14/480.6
D749,600 S *	2/2016	Emami	.....	D14/480.6

D754,141 S *	4/2016	Billington	.....	D14/480.6
D806,715 S *	1/2018	Chen	.....	D14/480.6
2008/0278902 A1 *	11/2008	Nguyen	.....	G06K 19/07732 361/679.43
2011/0312197 A1 *	12/2011	Li	.....	H05K 5/0278 439/142

\* cited by examiner

*Primary Examiner* — Angela J Lee

(57) **CLAIM**

The ornamental design for a USB memory device, as shown and described.

**DESCRIPTION**

FIG. 1 is a right side view of the USB memory device. FIG. 2 is a rear view of the USB memory device. FIG. 3 is a left side view of the USB memory device. FIG. 4 is a front view of the USB memory device. FIG. 5 is a top view of the USB memory device, the bottom being the same. FIG. 6 is a front left top perspective view of the USB memory device. FIG. 7 is a front left top perspective view of the USB memory device with the cap in the open position exposing the secondary USB connector; and, FIG. 8 is a front left top perspective view of the USB memory device with the housing in a rotated position exposing the primary USB connector.

**1 Claim, 2 Drawing Sheets**

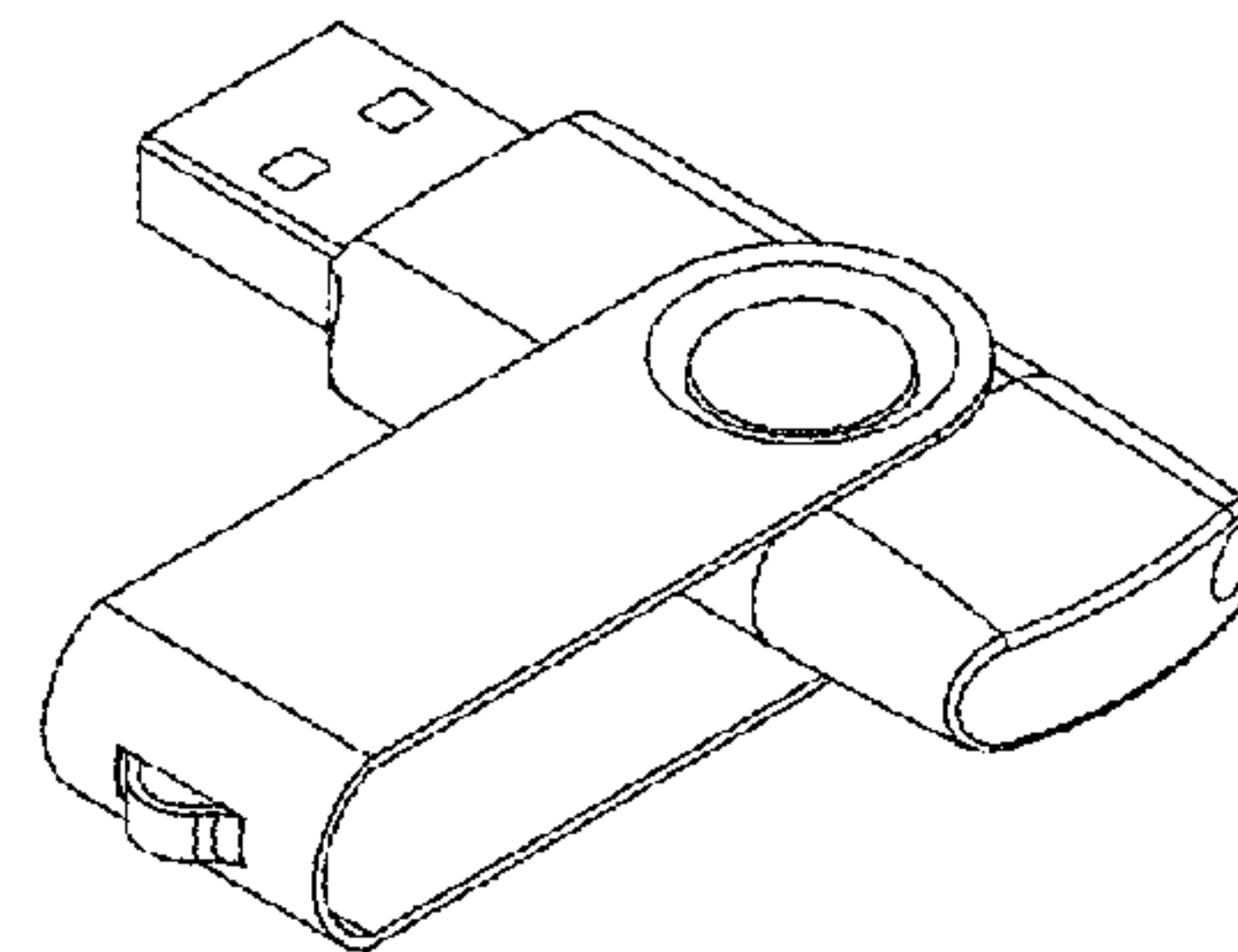
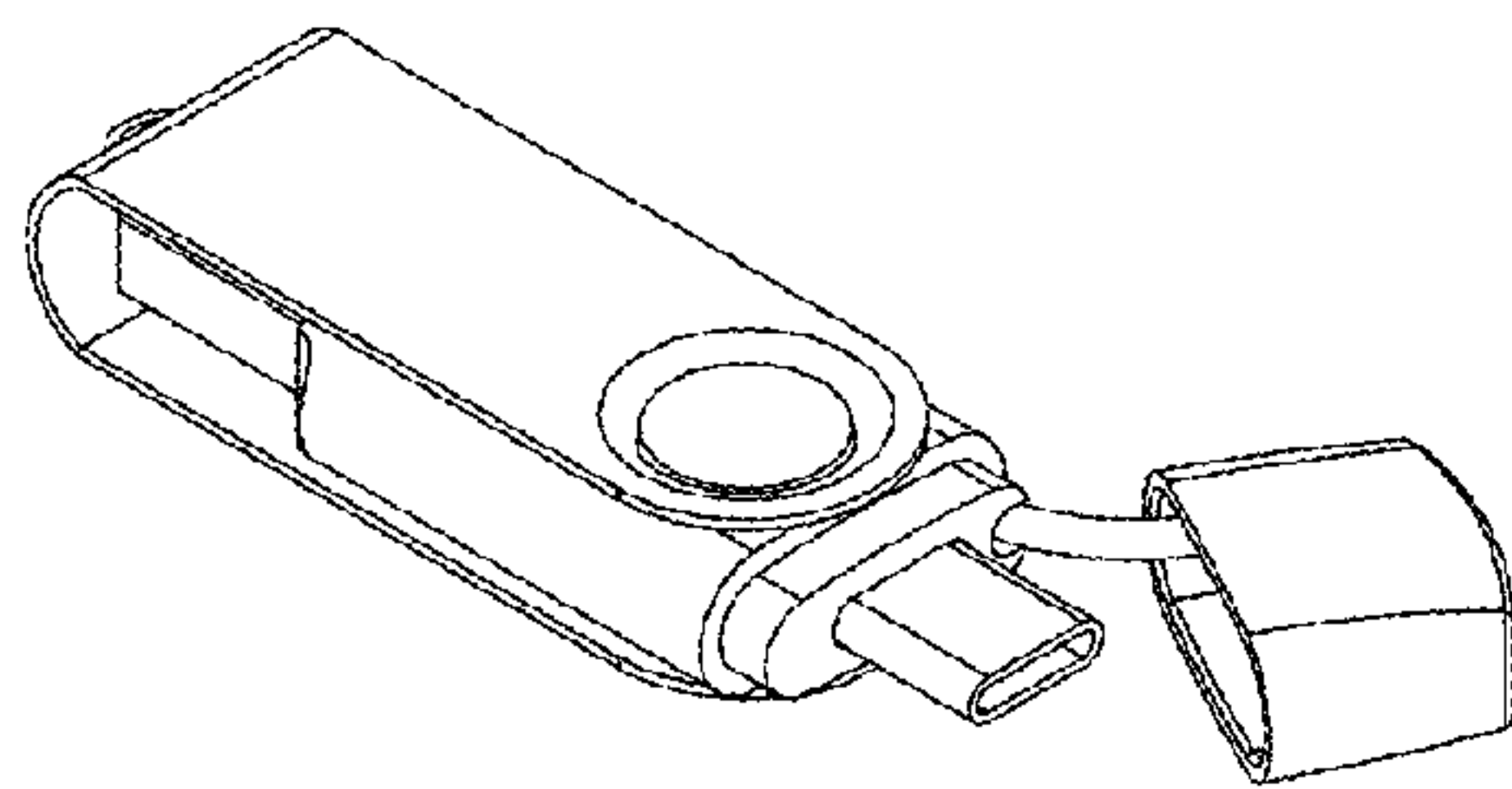


FIG.1



FIG.2

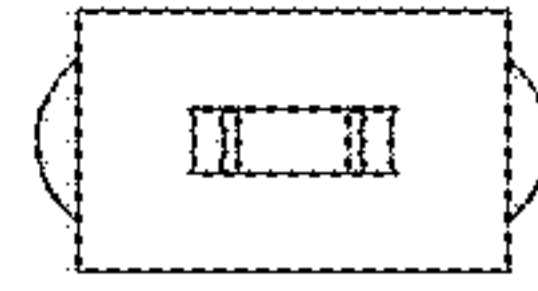


FIG.3



FIG.4

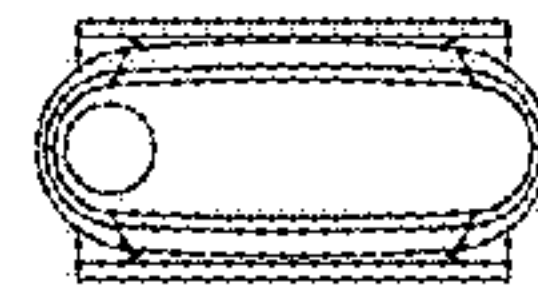


FIG.5

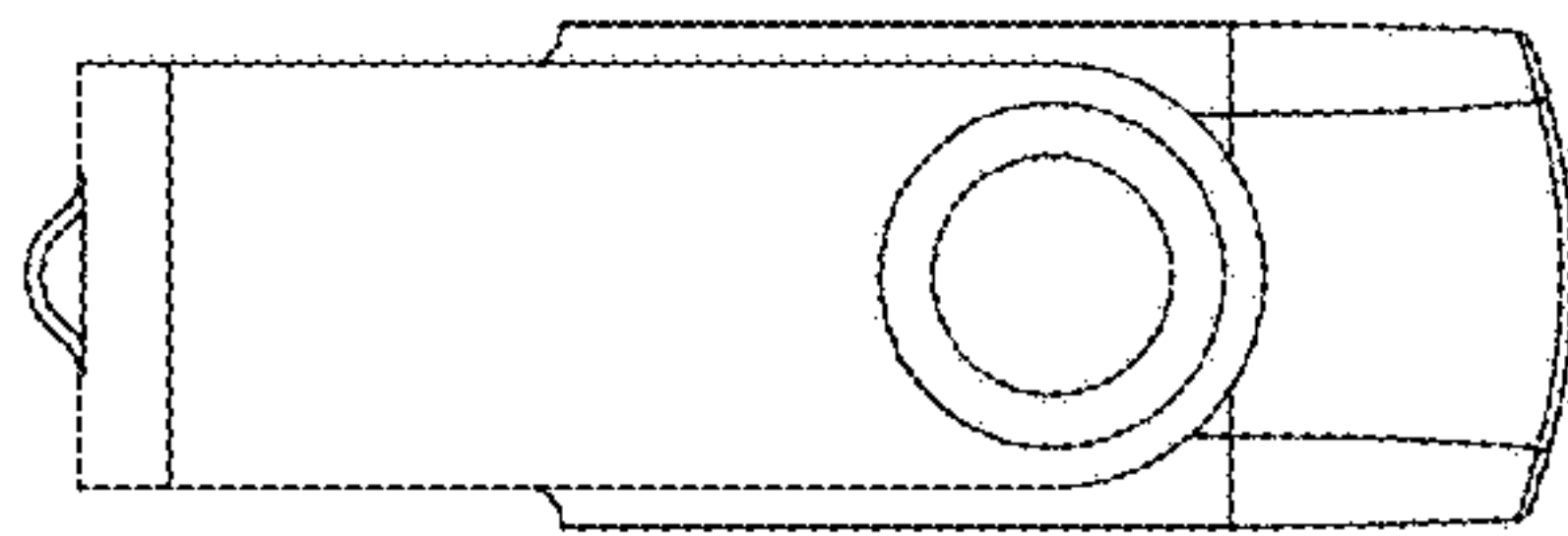


FIG.6

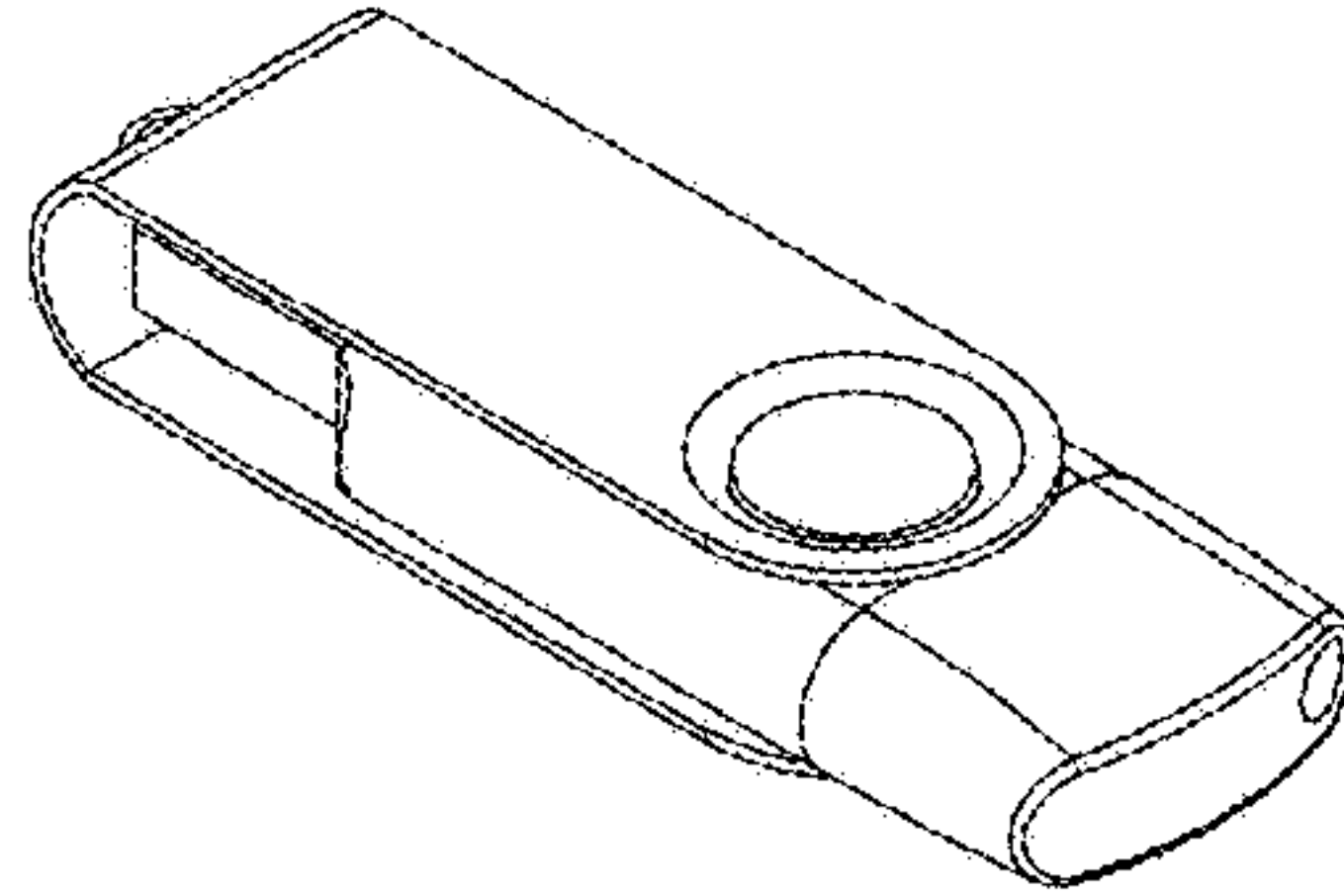


FIG.7

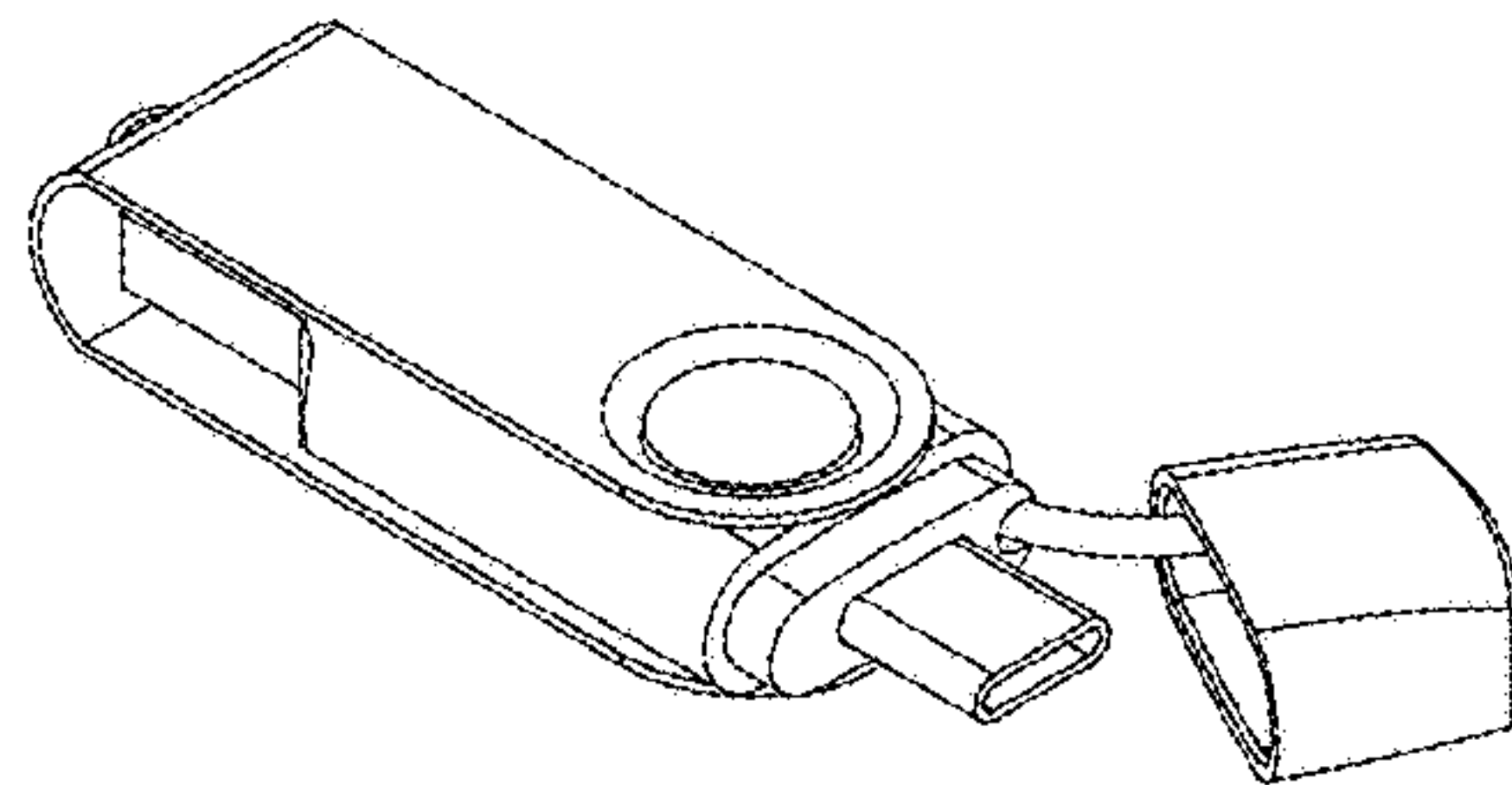


FIG.8

