



US00D863318S

(12) **United States Design Patent**  
**Zhang**

(10) **Patent No.:** **US D863,318 S**

(45) **Date of Patent:** **\*\* Oct. 15, 2019**

(54) **TABLET COMPUTER HOLDER AND CASE**

(71) Applicant: **Zhiguang Zhang**, Guangzhou (CN)

(72) Inventor: **Zhiguang Zhang**, Guangzhou (CN)

(\*\*) Term: **15 Years**

(21) Appl. No.: **29/615,563**

(22) Filed: **Aug. 30, 2017**

(51) **LOC (12) Cl.** ..... **08-07**

(52) **U.S. Cl.**  
USPC ..... **D14/447**

(58) **Field of Classification Search**  
USPC ..... D14/447, 432, 434, 439, 440, 451, 452,  
D14/457, 239; D8/363, 373, 380;  
D6/406.3, 406.4, 406.5, 406.6; D12/415;  
D21/330, 331  
CPC ..... A47B 21/04; A47B 2097/006; A47B  
2097/005; A47B 2023/049; A45C  
2011/002; A45C 2011/003; F16M  
2200/00; F16M 13/00  
See application file for complete search history.

(56) **References Cited**

**U.S. PATENT DOCUMENTS**

- D658,187 S \* 4/2012 Diebel ..... G06F 1/1679  
D14/440
- D667,831 S \* 9/2012 Stravitz ..... D14/447
- D694,523 S \* 12/2013 Chiang ..... D3/303
- D697,069 S \* 1/2014 Tak ..... D14/447
- D716,817 S \* 11/2014 Yang ..... D14/447
- D729,256 S \* 5/2015 Feng ..... D14/447
- 9,578,941 B2 \* 2/2017 MacLachlan ..... F16M 11/38
- D805,080 S \* 12/2017 Lakraa ..... D14/440
- D807,891 S \* 1/2018 Yeo ..... D14/440

- D820,839 S \* 6/2018 Akana ..... D14/345
- D823,854 S \* 7/2018 Enqvist ..... D14/345
- 2013/0140203 A1 \* 6/2013 Chiang ..... G06F 1/1628  
206/320
- 2014/0253024 A1 \* 9/2014 Rautiainen ..... H02J 7/025  
320/108

\* cited by examiner

*Primary Examiner* — Angela J Lee

(74) *Attorney, Agent, or Firm* — Maier & Maier, PLLC

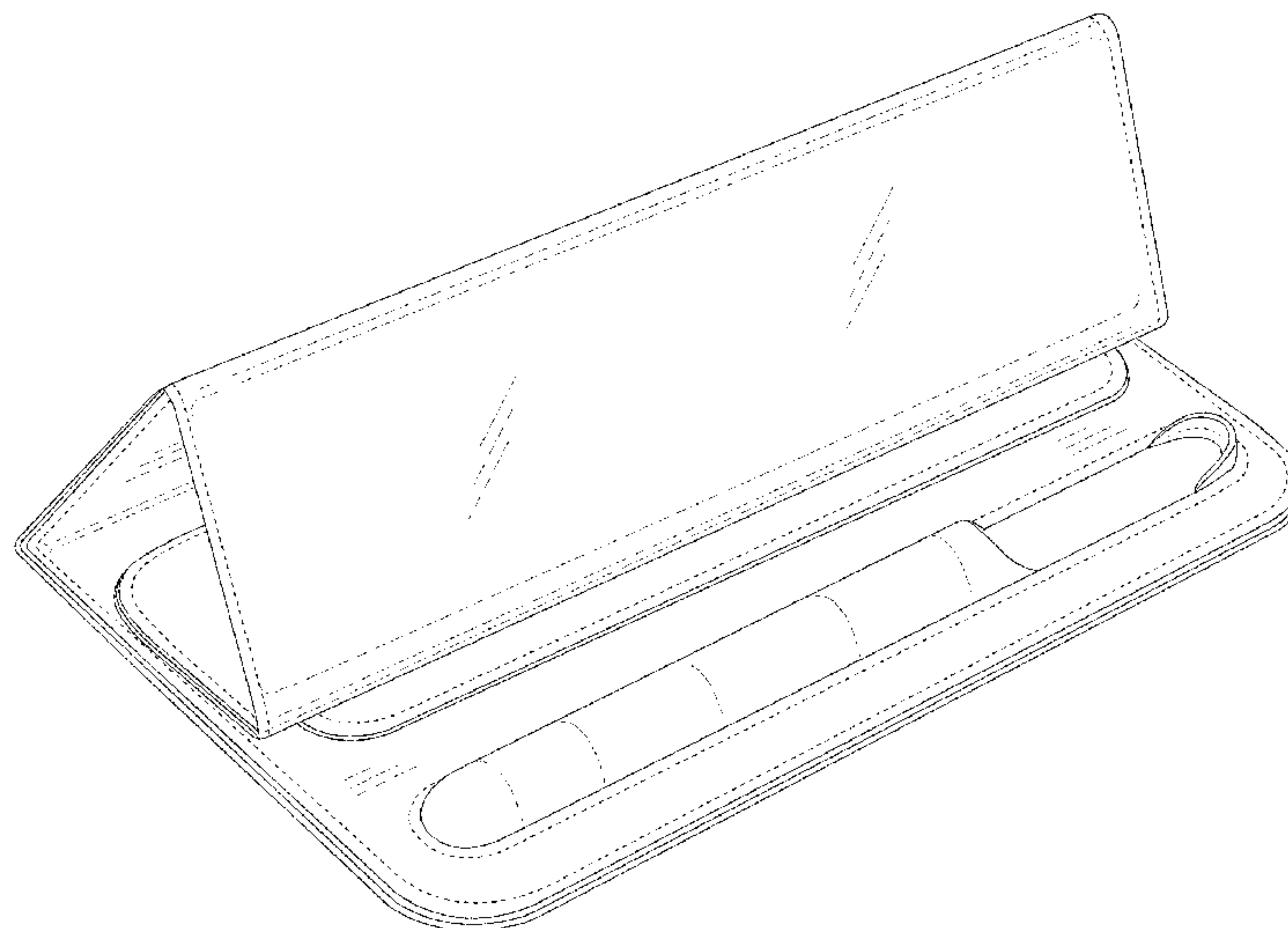
(57) **CLAIM**

The ornamental design for a tablet computer holder and case, as shown and described.

**DESCRIPTION**

FIG. 1 is a perspective view of a tablet computer holder and case showing my new design;  
 FIG. 2 is a front view of thereof;  
 FIG. 3 is a rear view thereof;  
 FIG. 4 is a top view thereof;  
 FIG. 5 is a bottom view thereof;  
 FIG. 6 is a right side view thereof;  
 FIG. 7 is a left side view thereof;  
 FIG. 8 is a top right perspective view of the tablet computer holder and case shown in an alternate state;  
 FIG. 9 is a top left perspective view of the tablet computer holder and case shown in an alternate state; and,  
 FIG. 10 is a front right perspective view of the tablet computer holder and case shown with environment.  
 The broken lines represented by even dashed lines shown on the tablet computer holder and case represent thread stitching.  
 The broken lines showing a tablet computer and other environment in FIGS. 8-10 form no part of the claimed design.

**1 Claim, 10 Drawing Sheets**



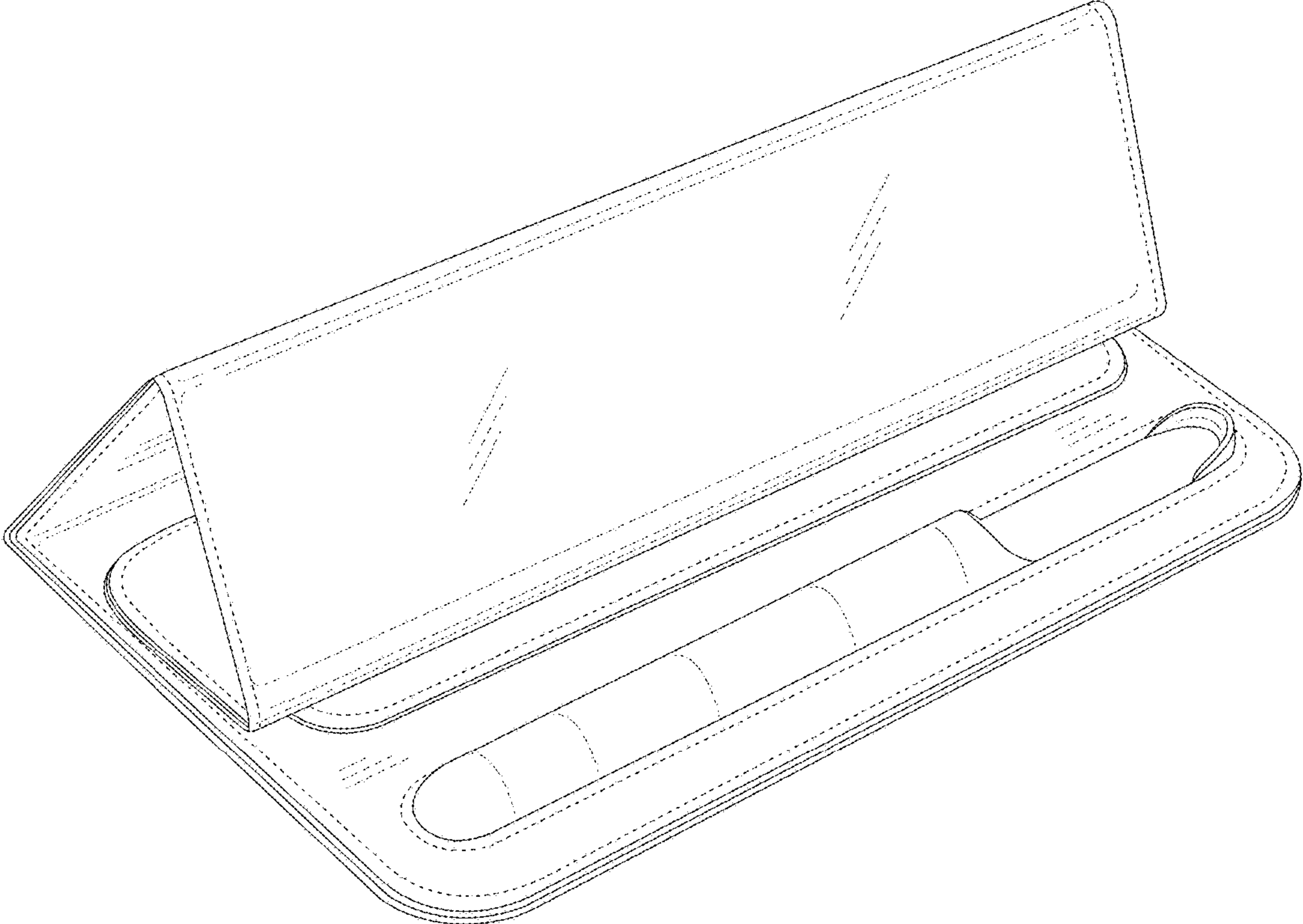


FIG.1

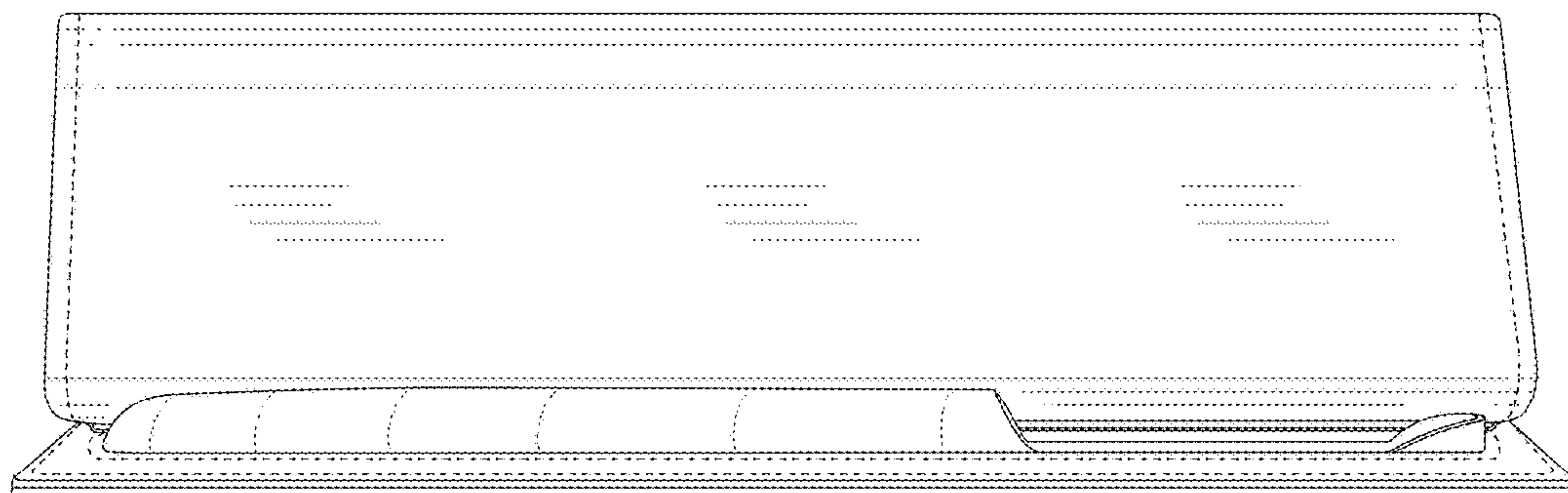


FIG.2



FIG.3

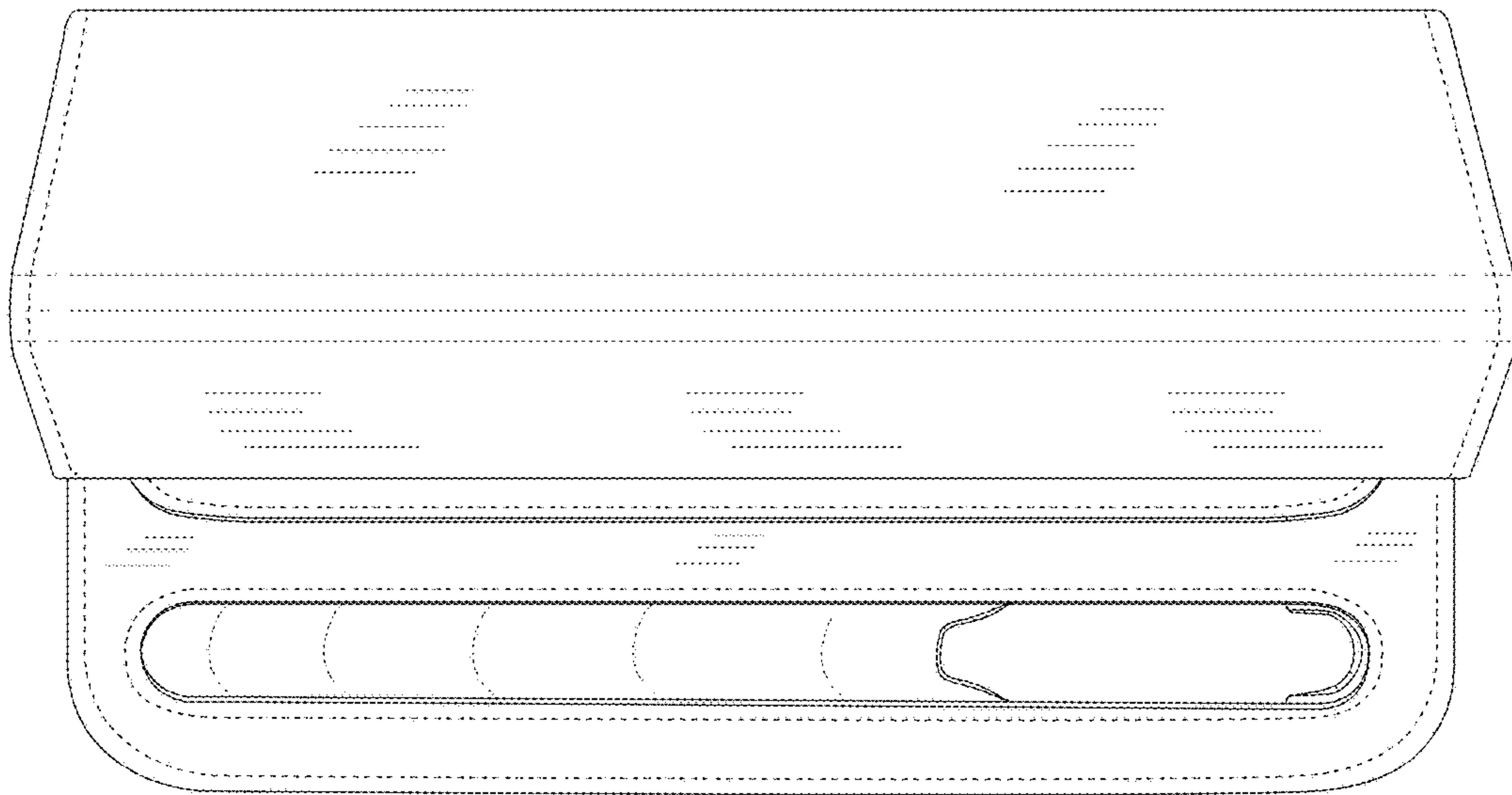


FIG.4



FIG.5

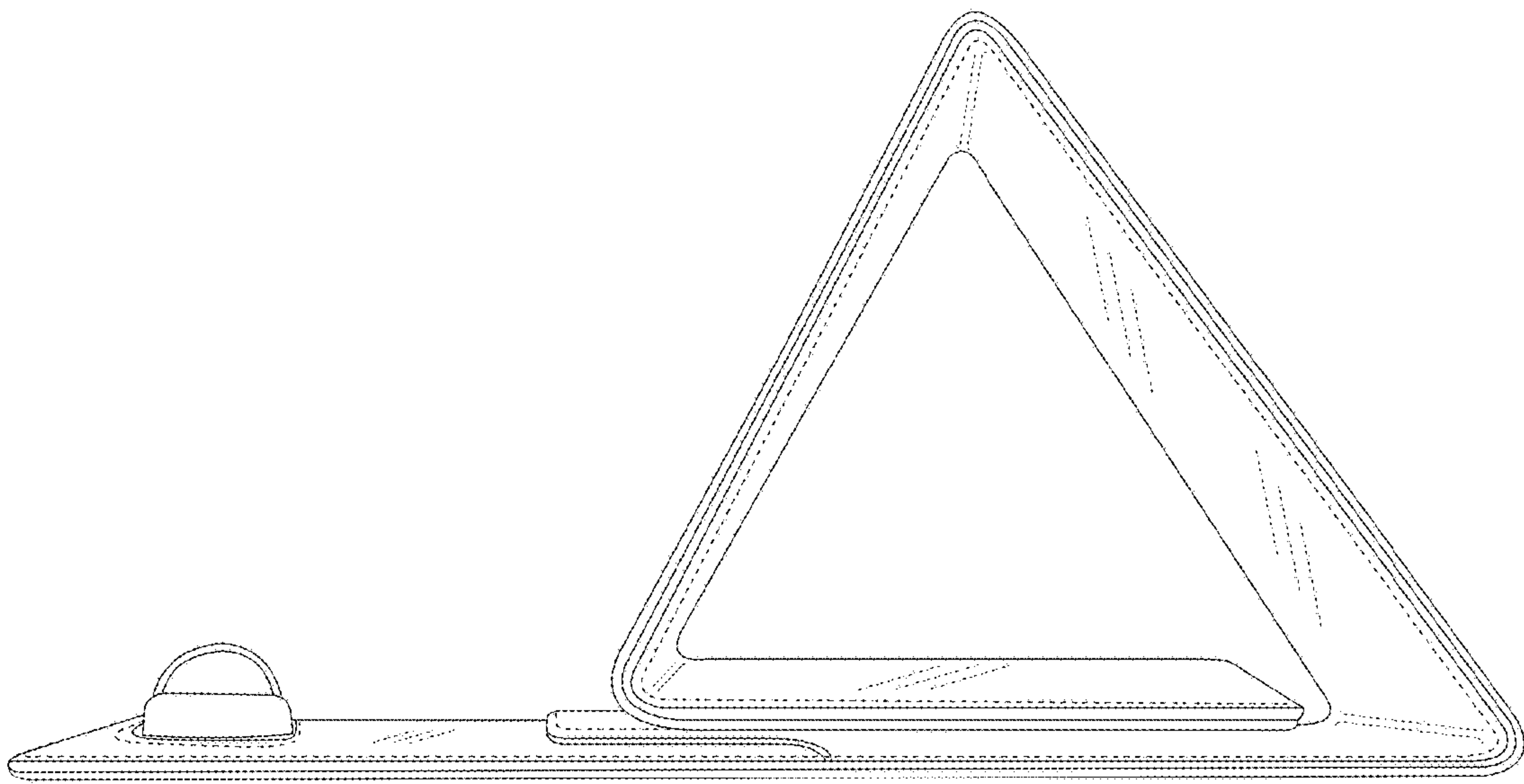


FIG.6



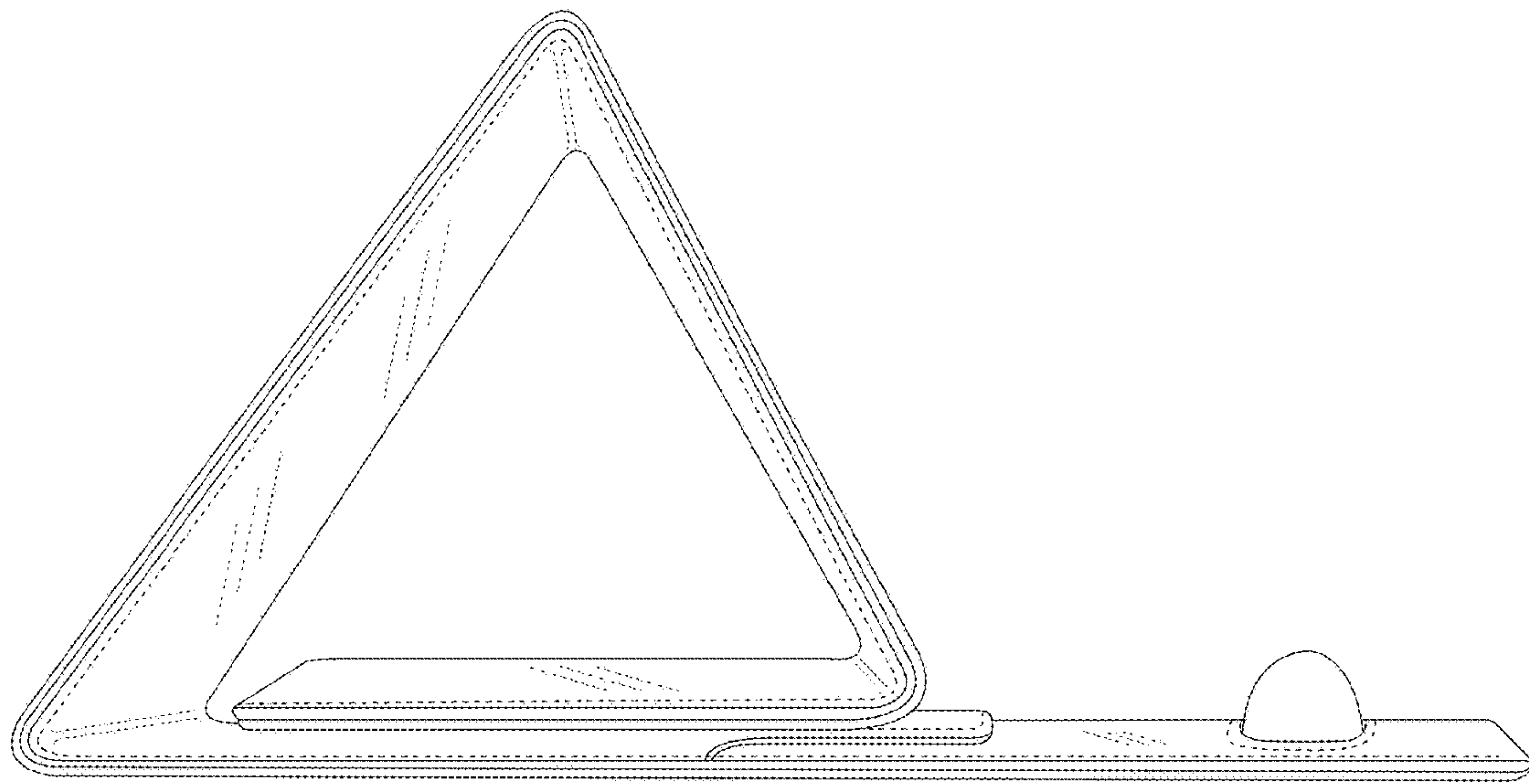


FIG.7



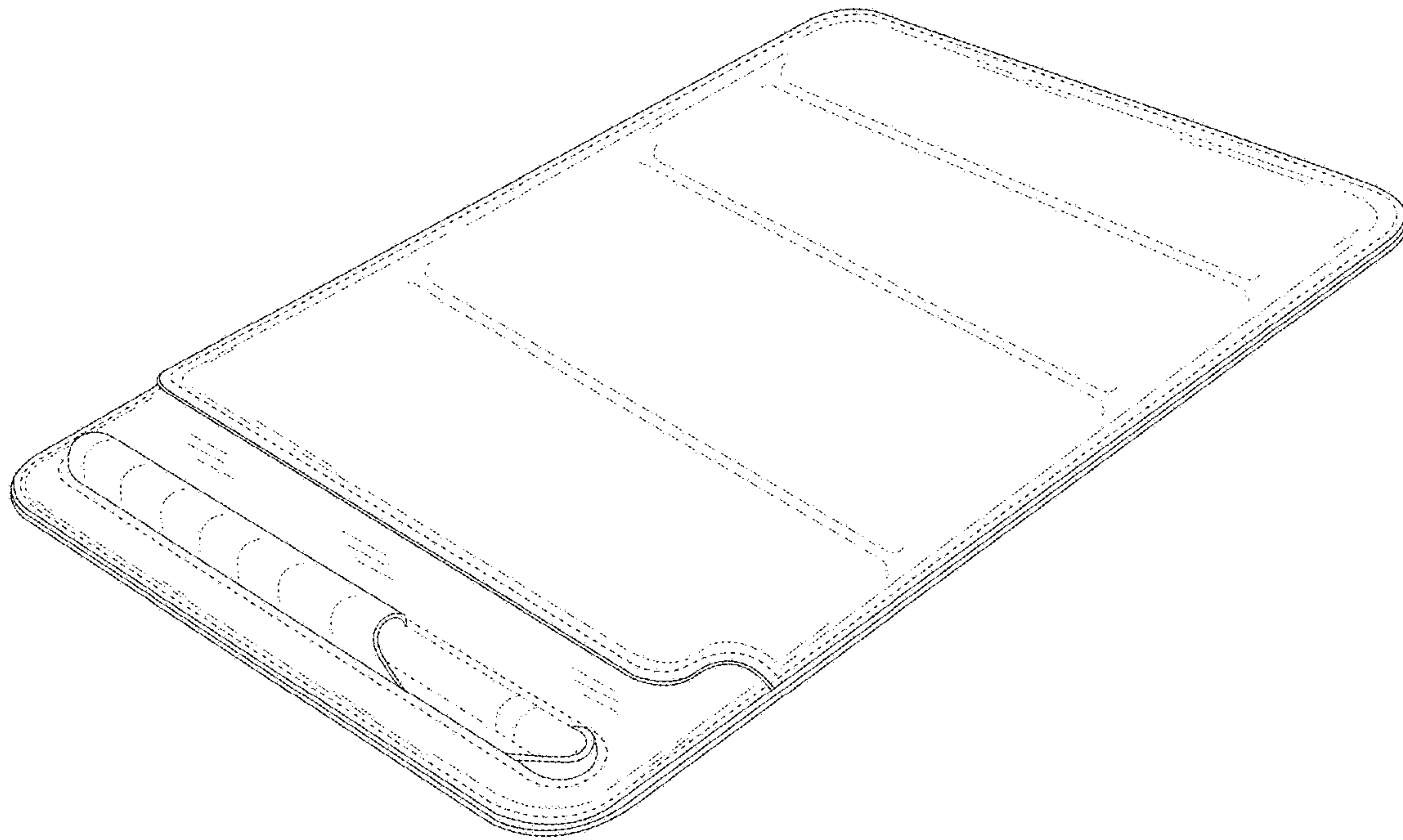


FIG.8

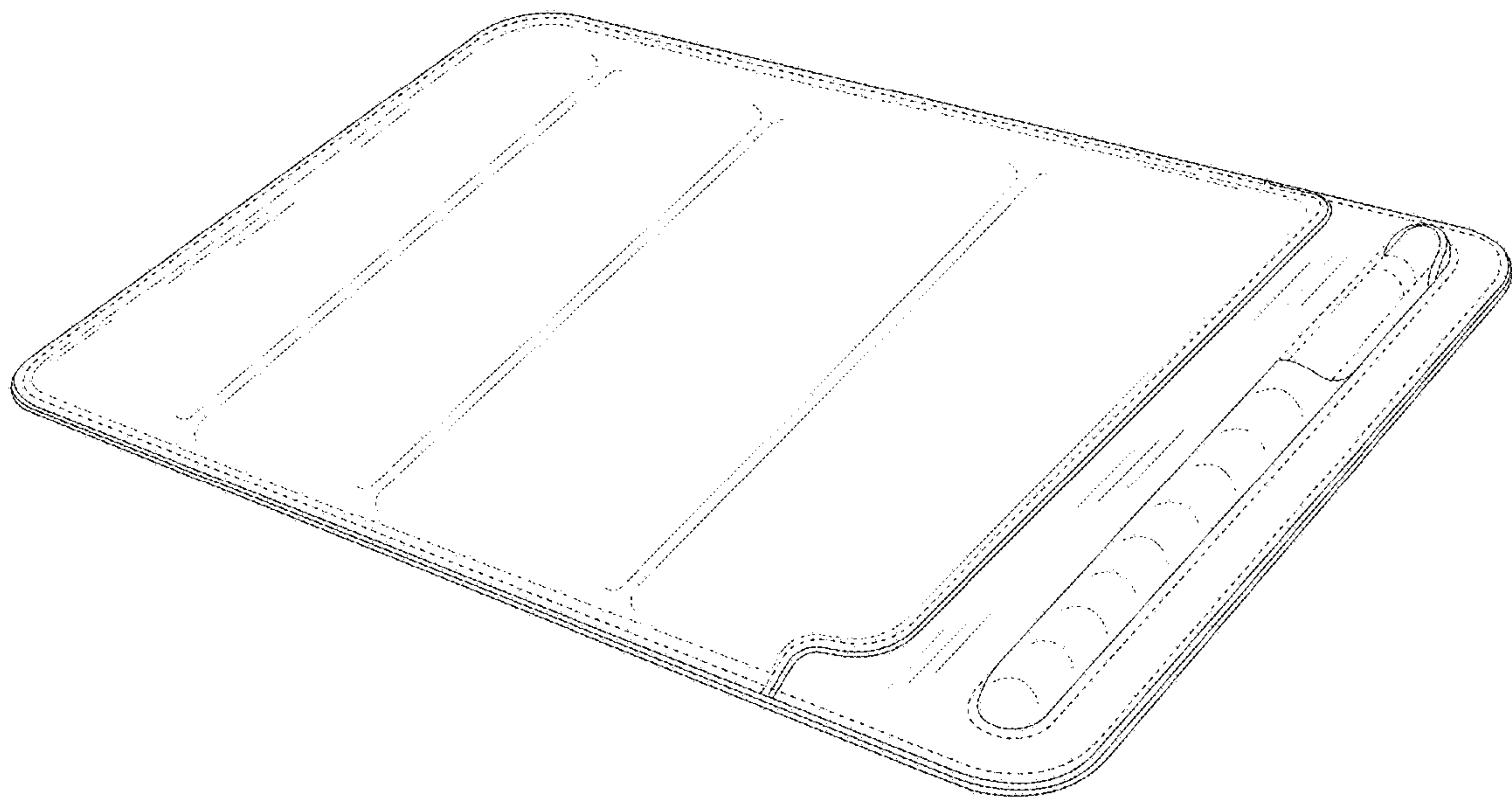


FIG.9

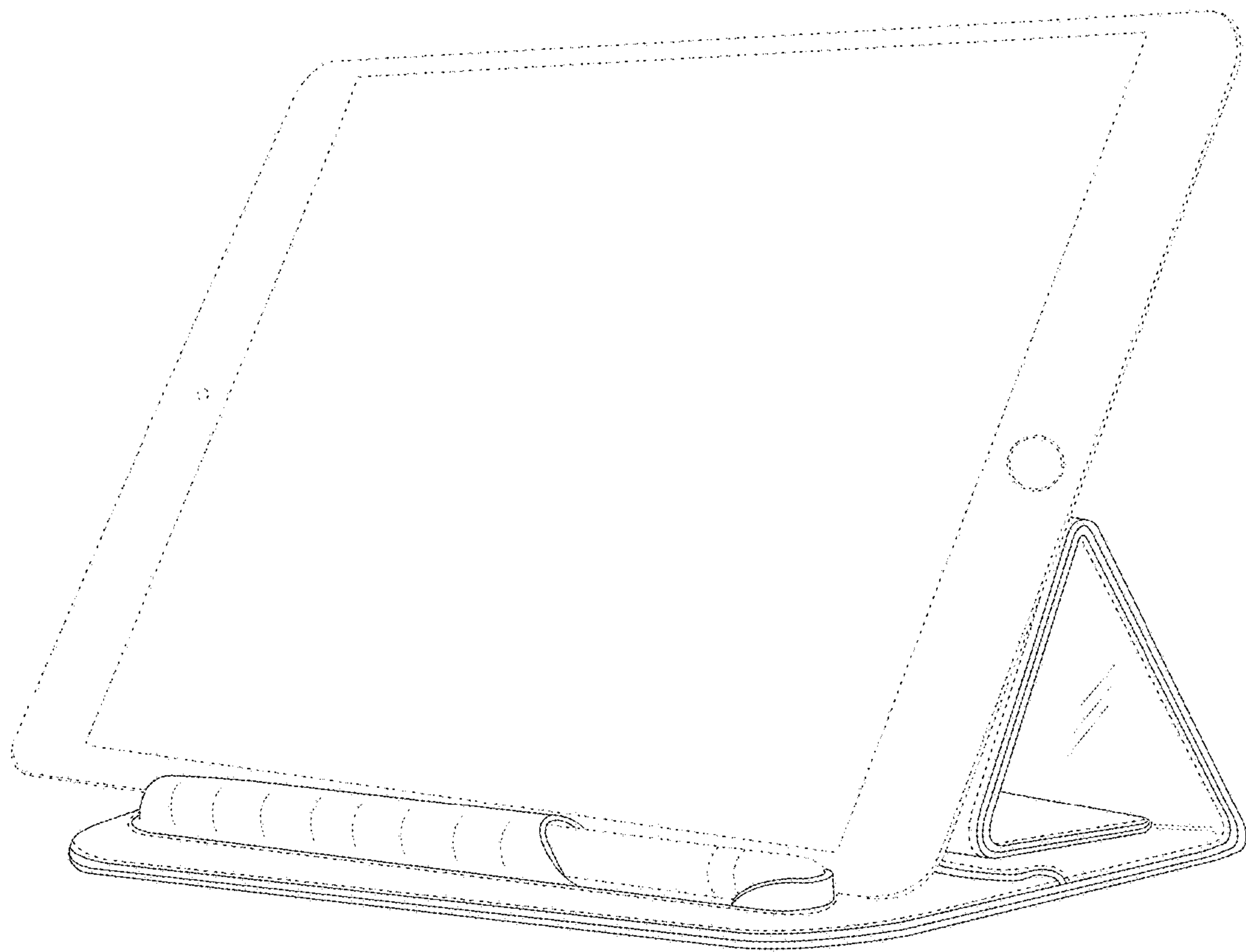


FIG.10