



US00D863317S

(12) **United States Design Patent** (10) **Patent No.:** **US D863,317 S**  
**Piper et al.** (45) **Date of Patent:** **\*\* Oct. 15, 2019**

(54) **CASE FOR TABLET-SHAPED PORTABLE ELECTRONIC DEVICE**  
(71) Applicant: **Pioneer Square Brands, Inc.**, Seattle, WA (US)  
(72) Inventors: **Brian Lewis Piper**, Seattle, WA (US); **Michael Cooper Ferren**, Camus, WA (US); **Jaimie Emerald Chan**, Renton, WA (US)  
(73) Assignee: **PIONEER SQUARE BRANDS, INC.**, McLean, VA (US)  
(\*\*) Term: **15 Years**  
(21) Appl. No.: **29/700,261**  
(22) Filed: **Jul. 31, 2019**  
(51) **LOC (12) Cl.** ..... **14-02**  
(52) **U.S. Cl.**  
USPC ..... **D14/440**  
(58) **Field of Classification Search**  
USPC ..... D14/440, 447, 250; 206/45.23, 320, 206/45.2; 361/679.55; 294/25; 224/218  
CPC .... G06F 1/1628; G06F 1/1626; A47B 23/044  
See application file for complete search history.

D643,843 S 8/2011 Hsieh et al.  
8,016,107 B2 \* 9/2011 Emsky ..... A45C 11/00 206/320  
D646,266 S \* 10/2011 Kim ..... D14/250  
D665,168 S 8/2012 Dawson  
D665,809 S \* 8/2012 Wang ..... D14/248  
D668,660 S \* 10/2012 Norfolk ..... D14/440  
D670,702 S \* 11/2012 Zhang ..... D14/440  
D673,159 S 12/2012 McCarthy et al.  
D674,801 S 1/2013 Wharram  
D675,210 S \* 1/2013 Kim ..... D14/439  
D676,854 S \* 2/2013 Hsu ..... D14/447  
D677,249 S \* 3/2013 Li ..... D14/250  
D678,293 S \* 3/2013 Meehan ..... D14/440  
D687,427 S \* 8/2013 Peterson ..... D14/250  
D688,249 S 8/2013 Wharram  
D690,703 S \* 10/2013 Welch ..... D14/440  
D691,122 S 10/2013 Bau  
D694,759 S 12/2013 Chang et al.  
D695,298 S 12/2013 Han et al.

(Continued)

*Primary Examiner* — Cynthia R Underwood  
(74) *Attorney, Agent, or Firm* — Grandview Law

(57) **CLAIM**

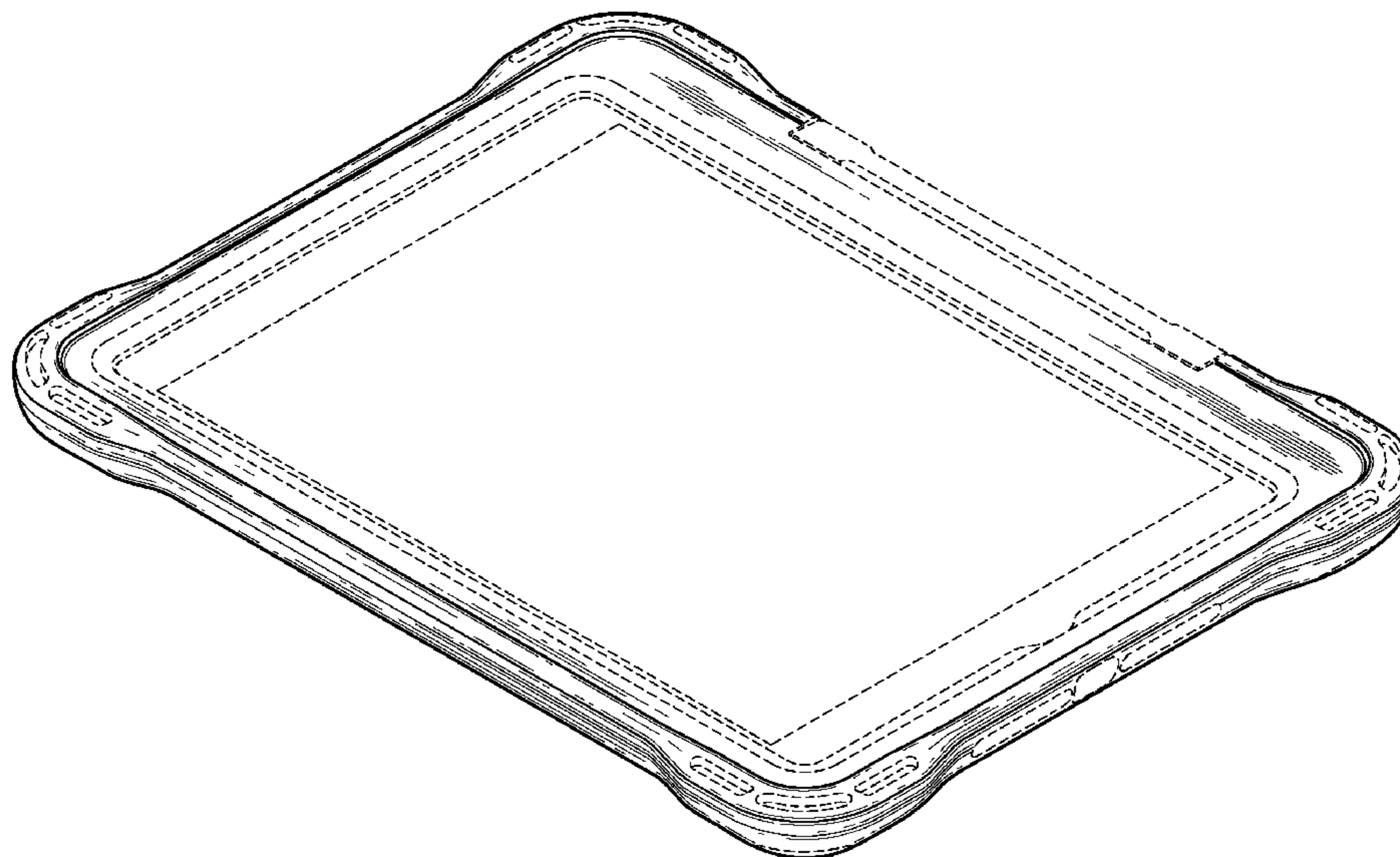
The ornamental design for a case for tablet-shaped portable electronic device, as shown and described.

**DESCRIPTION**

FIG. 1 is a front perspective view of a case for tablet-shaped portable electronic device showing our new design; FIG. 2 is a front elevational view thereof; FIG. 3 is a rear elevational view thereof; FIG. 4 is a top plan view thereof; FIG. 5 is a bottom plan view thereof; FIG. 6 is a left elevational view thereof; and, FIG. 7 is a right elevational view thereof. The features shown in broken lines in the drawing figures depict features that form no part of the claimed design.

**1 Claim, 3 Drawing Sheets**

(56) **References Cited**  
U.S. PATENT DOCUMENTS  
D397,246 S \* 8/1998 Hoofnagle ..... D3/201  
D448,761 S \* 10/2001 Powell ..... D14/250  
D448,762 S \* 10/2001 Powell ..... D14/250  
D451,094 S \* 11/2001 Powell ..... D14/250  
D574,385 S 8/2008 Koh et al.  
D574,836 S 8/2008 Koh et al.  
D605,645 S \* 12/2009 Kettula ..... D14/253  
D636,396 S 4/2011 Li  
D641,756 S \* 7/2011 Hsieh ..... D14/440  
D643,029 S \* 8/2011 Feng ..... D14/250



(56)

References Cited

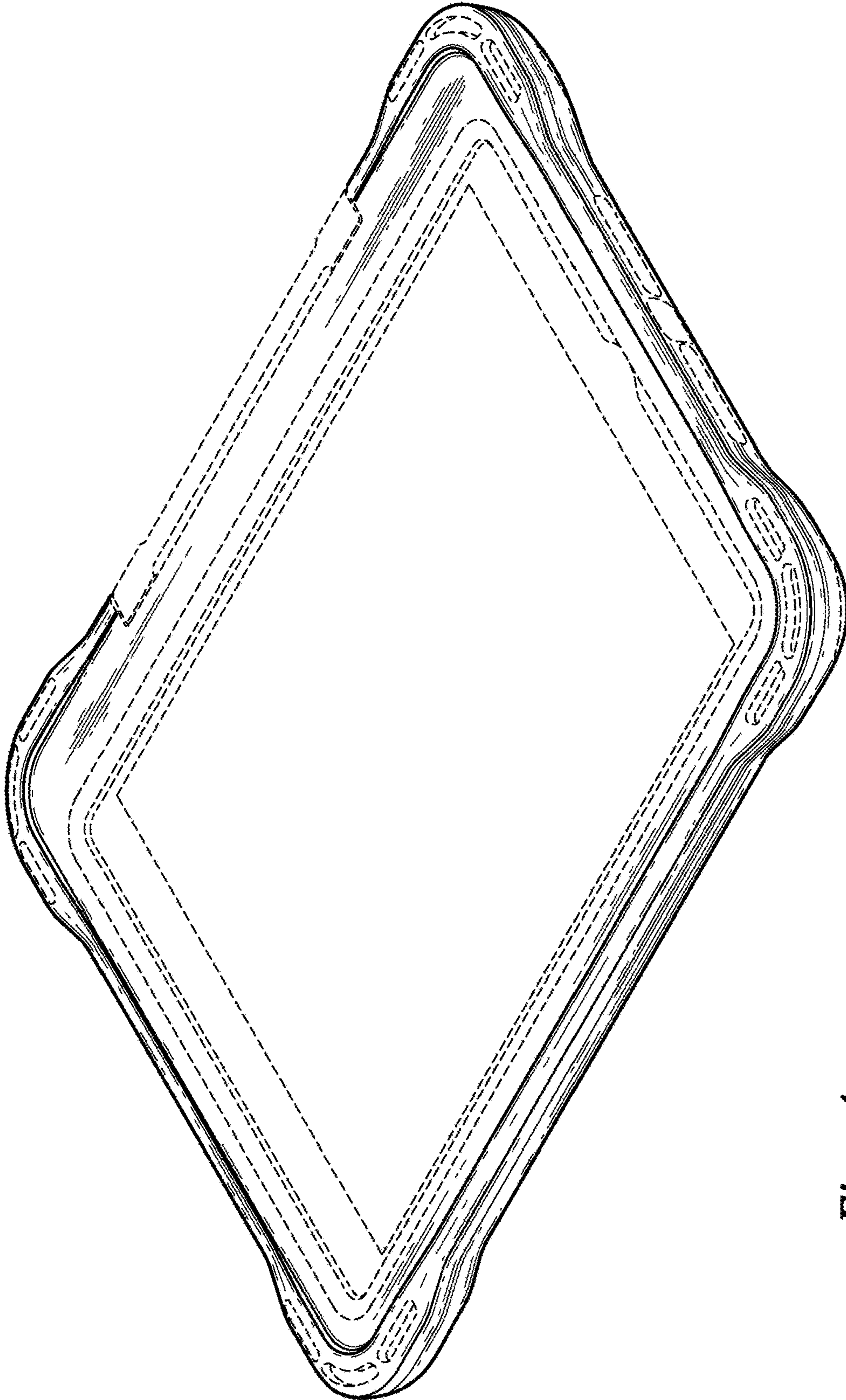
U.S. PATENT DOCUMENTS

D696,257 S 12/2013 Ward et al.  
 D698,772 S \* 2/2014 Merenda ..... D14/250  
 D708,621 S \* 7/2014 Gifford ..... D14/447  
 D709,510 S 7/2014 Soare  
 D713,846 S \* 9/2014 Chen ..... D14/440  
 D716,282 S 10/2014 Melanson et al.  
 D718,316 S \* 11/2014 Veltz ..... D14/440  
 D727,918 S \* 4/2015 Soare ..... D14/440  
 D729,252 S 5/2015 Smith et al.  
 D729,811 S 5/2015 Alis  
 D734,761 S 7/2015 Ballou et al.  
 D749,592 S \* 2/2016 Huang ..... D14/440  
 D750,619 S \* 3/2016 Amit ..... D14/341  
 D757,731 S \* 5/2016 Nguyen ..... D14/440  
 D763,854 S 8/2016 Donke et al.  
 D763,856 S 8/2016 Moore  
 D766,247 S \* 9/2016 Burmester ..... D14/440  
 D770,458 S 11/2016 Corcoran et al.  
 D775,132 S 12/2016 Smith et al.  
 D776,122 S \* 1/2017 Akana ..... D14/440  
 D776,123 S \* 1/2017 Akana ..... D14/440  
 D777,167 S \* 1/2017 Wengreen ..... D14/447  
 D777,727 S 1/2017 Maicon et al.  
 D786,879 S \* 5/2017 Kim ..... D14/440  
 D789,937 S 6/2017 Zhang  
 D791,773 S 7/2017 Moore et al.  
 D794,625 S 8/2017 Armstrong et al.  
 D795,878 S 8/2017 English et al.  
 D795,880 S \* 8/2017 Akana ..... D14/440  
 D804,486 S \* 12/2017 Nyholm ..... D14/440  
 D806,082 S 12/2017 Armstrong et al.  
 D807,892 S \* 1/2018 Wang ..... D14/440  
 D811,410 S 2/2018 Bumester

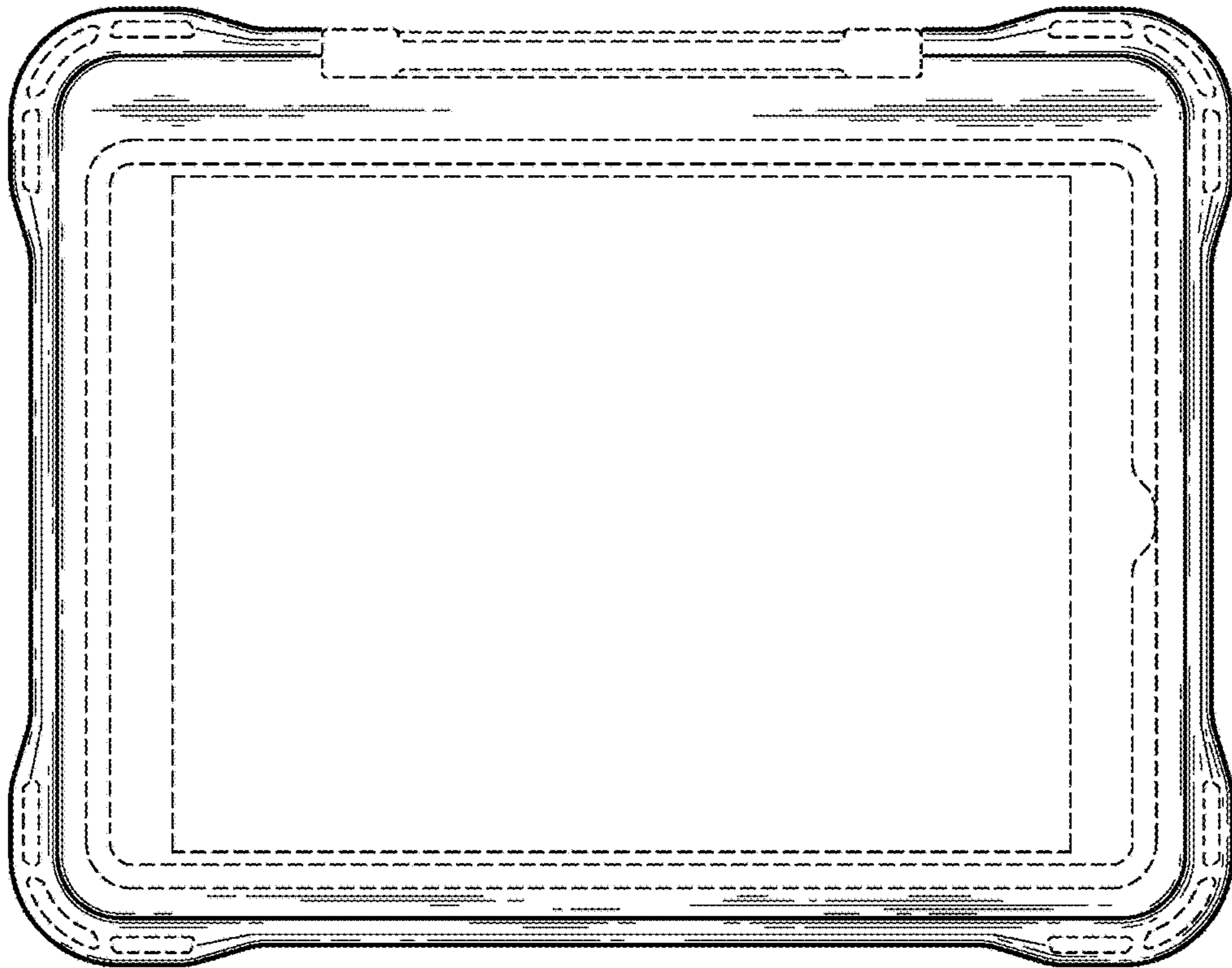
D812,065 S 3/2018 Shim  
 D812,618 S 3/2018 Altaras  
 D812,619 S 3/2018 Altaras  
 D816,651 S 5/2018 Chiang et al.  
 D817,944 S 5/2018 Akana et al.  
 D821,380 S 6/2018 Cramer et al.  
 D821,382 S 6/2018 Livingston  
 D822,014 S 7/2018 Han  
 D823,297 S 7/2018 Kim et al.  
 D827,630 S 9/2018 Ahn  
 D828,842 S 9/2018 Mecchella et al.  
 D829,721 S \* 10/2018 Zhang ..... D14/440  
 D831,631 S 10/2018 Li  
 D832,019 S 10/2018 Kim  
 D832,269 S 10/2018 Cheng  
 D832,836 S \* 11/2018 Akana ..... D14/345  
 D833,425 S 11/2018 Ahn  
 D834,026 S 11/2018 Moore et al.  
 D834,581 S 11/2018 Li  
 D837,779 S 1/2019 Kim  
 D837,796 S 1/2019 Kim et al.  
 D841,012 S 2/2019 Kim et al.  
 D841,013 S 2/2019 Ferren et al.  
 D848,441 S 5/2019 Ferren et al.  
 D850,454 S 6/2019 Kim et al.  
 D852,199 S 6/2019 Kim et al.  
 D852,200 S 6/2019 Chan et al.  
 D852,201 S 6/2019 Chan et al.  
 D852,802 S 7/2019 Gao  
 D854,546 S \* 7/2019 Mecchella ..... D14/440  
 D855,058 S 7/2019 Cebe  
 2012/0170212 A1 \* 7/2012 Gallouzi ..... F16M 11/041  
 361/679.56  
 2013/0222139 A1 \* 8/2013 Gouge ..... A61B 5/01  
 340/573.1

\* cited by examiner

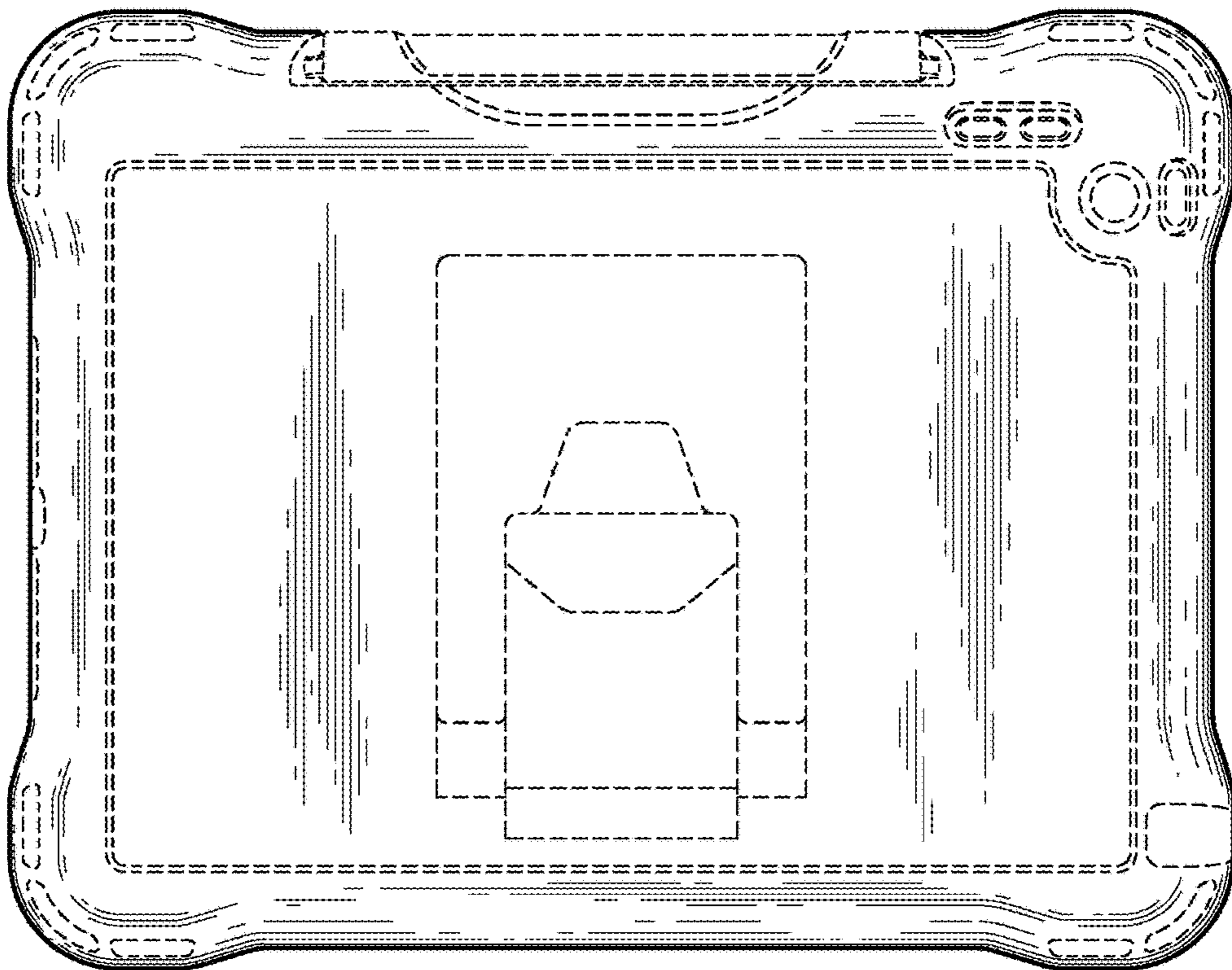




*Fig. 1*



*Fig. 2*



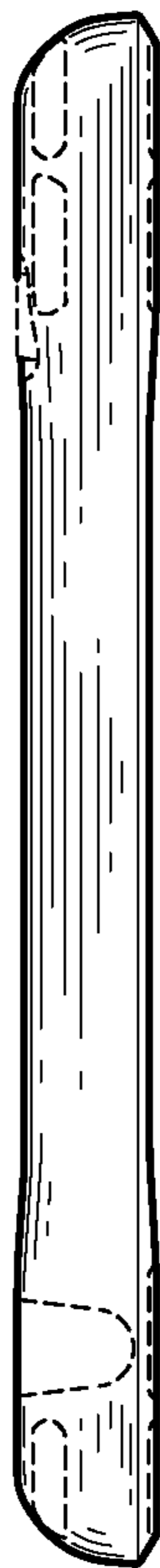
*Fig. 3*



*Fig. 4*



*Fig. 5*



*Fig. 6*



*Fig. 7*