



US00D863316S

(12) **United States Design Patent**
Chan et al.

(10) **Patent No.:** **US D863,316 S**

(45) **Date of Patent:** **** Oct. 15, 2019**

(54) **CASE FOR ELECTRONIC TABLET DEVICE**

(71) Applicant: **Pioneer Square Brands, Inc.**, Seattle, WA (US)

(72) Inventors: **Jaimie Emerald Chan**, Renton, WA (US); **Michael Cooper Ferren**, Camus, WA (US); **Brian Lewis Piper**, Seattle, WA (US)

(73) Assignee: **PIONEER SQUARE BRANDS, INC.**, McLean, VA (US)

(**) Term: **15 Years**

(21) Appl. No.: **29/697,429**

(22) Filed: **Jul. 9, 2019**

(51) **LOC (12) Cl.** **14-02**

(52) **U.S. Cl.**
USPC **D14/440**

(58) **Field of Classification Search**
USPC D14/440, 447, 250; 206/45.23, 320, 206/45.2; 361/679.55; 294/25; 224/218
CPC G06F 1/1628; G06F 1/1626; A47B 23/044
See application file for complete search history.

(56) **References Cited**

U.S. PATENT DOCUMENTS

D574,385 S	8/2008	Koh et al.	
D574,836 S	8/2008	Koh et al.	
D636,396 S	4/2011	Li	
D641,756 S	7/2011	Hsieh et al.	
D643,843 S	8/2011	Hsieh et al.	
D665,168 S	8/2012	Dawson	
D668,660 S	10/2012	Norfolk	
D673,159 S	12/2012	McCarthy et al.	
D674,801 S	1/2013	Wharram	
D685,357 S *	7/2013	Rekuc	D14/250
D688,249 S	8/2013	Wharram	
D689,851 S *	9/2013	Chang	D14/250

D691,122 S	10/2013	Bau	
D694,759 S	12/2013	Chang et al.	
D695,298 S	12/2013	Han et al.	
D696,257 S	12/2013	Ward et al.	
D709,510 S	7/2014	Soare	
D716,280 S *	10/2014	Macrina	D14/250
D716,282 S	10/2014	Melanson et al.	
D718,316 S	11/2014	Veltz et al.	
D719,145 S *	12/2014	Barfoot	D14/250
D721,370 S *	1/2015	Barfoot	D14/400
D729,252 S	5/2015	Smith et al.	
D729,811 S	5/2015	Alis	
D731,494 S *	6/2015	Barfoot	D14/440
D733,154 S *	6/2015	Armstrong	D14/440
D734,761 S	7/2015	Ballou et al.	
D745,505 S *	12/2015	Barfoot	D14/250
D745,525 S *	12/2015	Bates	D14/440
D763,854 S	8/2016	Donke et al.	
D763,856 S	8/2016	Moore	
D766,249 S *	9/2016	Veltz	D14/440
D770,458 S	11/2016	Corcoran et al.	

(Continued)

Primary Examiner — Cynthia R Underwood

(74) *Attorney, Agent, or Firm* — Grandview Law

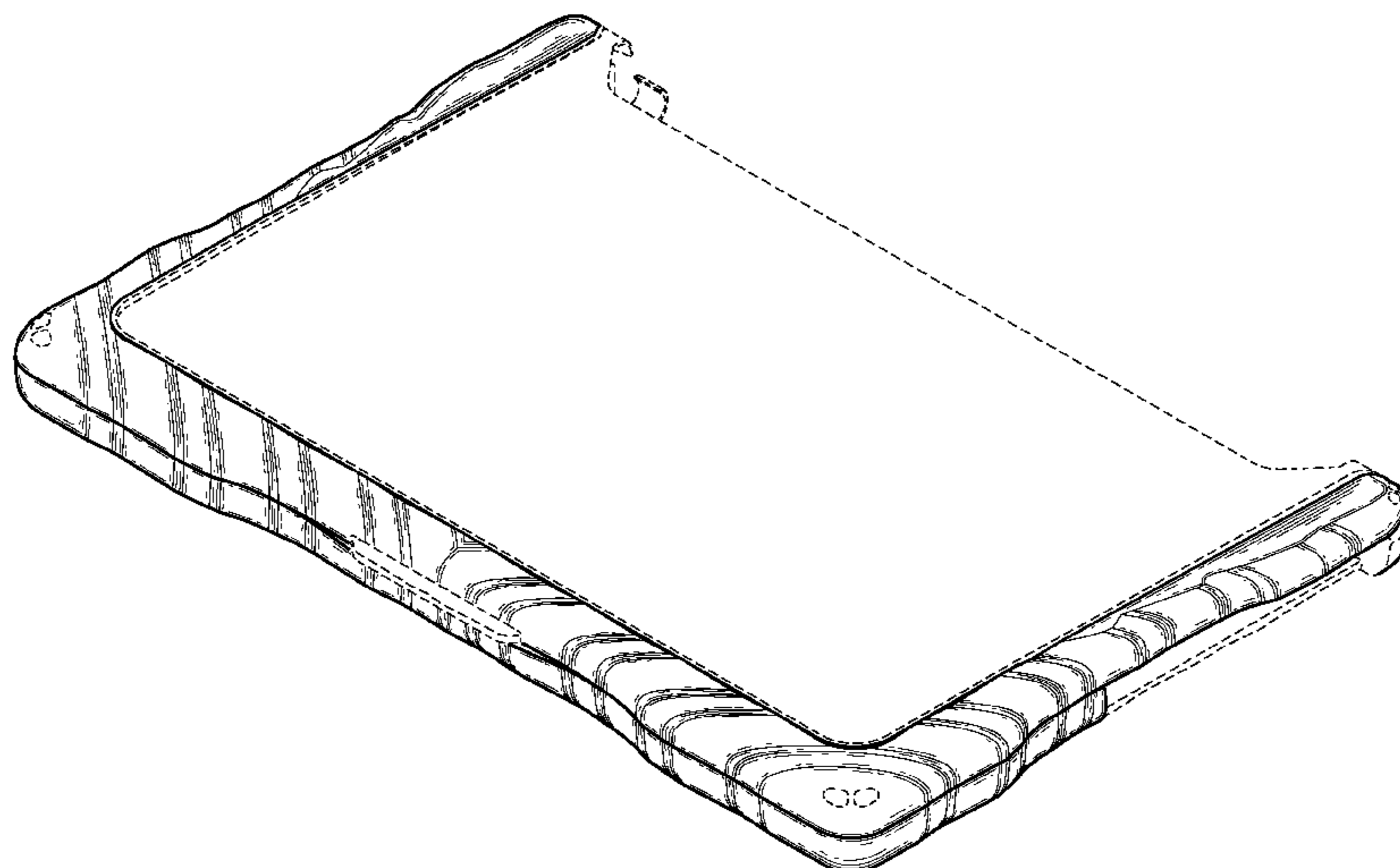
(57) **CLAIM**

The ornamental design for a case for electronic tablet device, as shown and described.

DESCRIPTION

FIG. 1 is a front perspective view of a case for electronic tablet device showing our new design; FIG. 2 is a front elevational view thereof; FIG. 3 is a rear elevational view thereof; FIG. 4 is a top plan view thereof; FIG. 5 is a bottom plan view thereof; FIG. 6 is a left elevational view thereof; and, FIG. 7 is a right elevational view thereof. The features shown in broken lines in the drawing figures depict features that form no part of the claimed design.

1 Claim, 3 Drawing Sheets



(56)

References Cited

U.S. PATENT DOCUMENTS

D775,132 S	12/2016	Smith et al.	
D777,727 S	1/2017	Maicon et al.	
D782,460 S *	3/2017	Bertrand	D14/250
D789,937 S	6/2017	Zhang	
D791,773 S	7/2017	Moore et al.	
D794,625 S	8/2017	Armstrong et al.	
D795,878 S	8/2017	English et al.	
D795,880 S *	8/2017	Akana	D14/440
D795,881 S *	8/2017	Akana	D14/440
D800,105 S *	10/2017	Roberts	D14/250
D806,082 S	12/2017	Armstrong et al.	
D808,395 S *	1/2018	Fenton	D14/440
D811,410 S	2/2018	Bumester	
D812,065 S	3/2018	Shim	
D812,618 S	3/2018	Altaras	
D812,619 S	3/2018	Altaras	
D816,651 S	5/2018	Chiang et al.	
D817,334 S *	5/2018	Fenton	D14/440
D817,944 S	5/2018	Akana et al.	
D821,380 S	6/2018	Cramer et al.	
D821,382 S	6/2018	Livingston	
D822,014 S	7/2018	Han	
D823,297 S	7/2018	Kim et al.	
D825,571 S *	8/2018	Shannon, III	D14/440
D827,630 S	9/2018	Ahn	
D828,842 S	9/2018	Mecchella et al.	
D829,721 S *	10/2018	Zhang	D14/440
D831,631 S	10/2018	Li	
D832,019 S	10/2018	Kim	
D832,269 S	10/2018	Cheng	
D833,425 S	11/2018	Ahn	
D834,026 S	11/2018	Moore et al.	
D834,581 S	11/2018	Li	
D837,779 S	1/2019	Kim	
D837,796 S	1/2019	Kim et al.	
D841,012 S	2/2019	Kim et al.	
D841,013 S *	2/2019	Ferren	D14/440
D844,621 S *	4/2019	Chen	D14/440
D848,441 S	5/2019	Ferren et al.	
D850,454 S	6/2019	Kim et al.	
D852,201 S	6/2019	Chan et al.	
D856,340 S *	8/2019	Tur	D14/440
D856,341 S *	8/2019	Tur	D14/440
D857,022 S *	8/2019	Tur	D14/440
2015/0068934 A1 *	3/2015	Armstrong	A45C 11/00 206/320
2015/0270734 A1 *	9/2015	Davison	H02J 7/0054 320/103
2017/0045920 A1 *	2/2017	Armstrong	G06F 1/1669

* cited by examiner

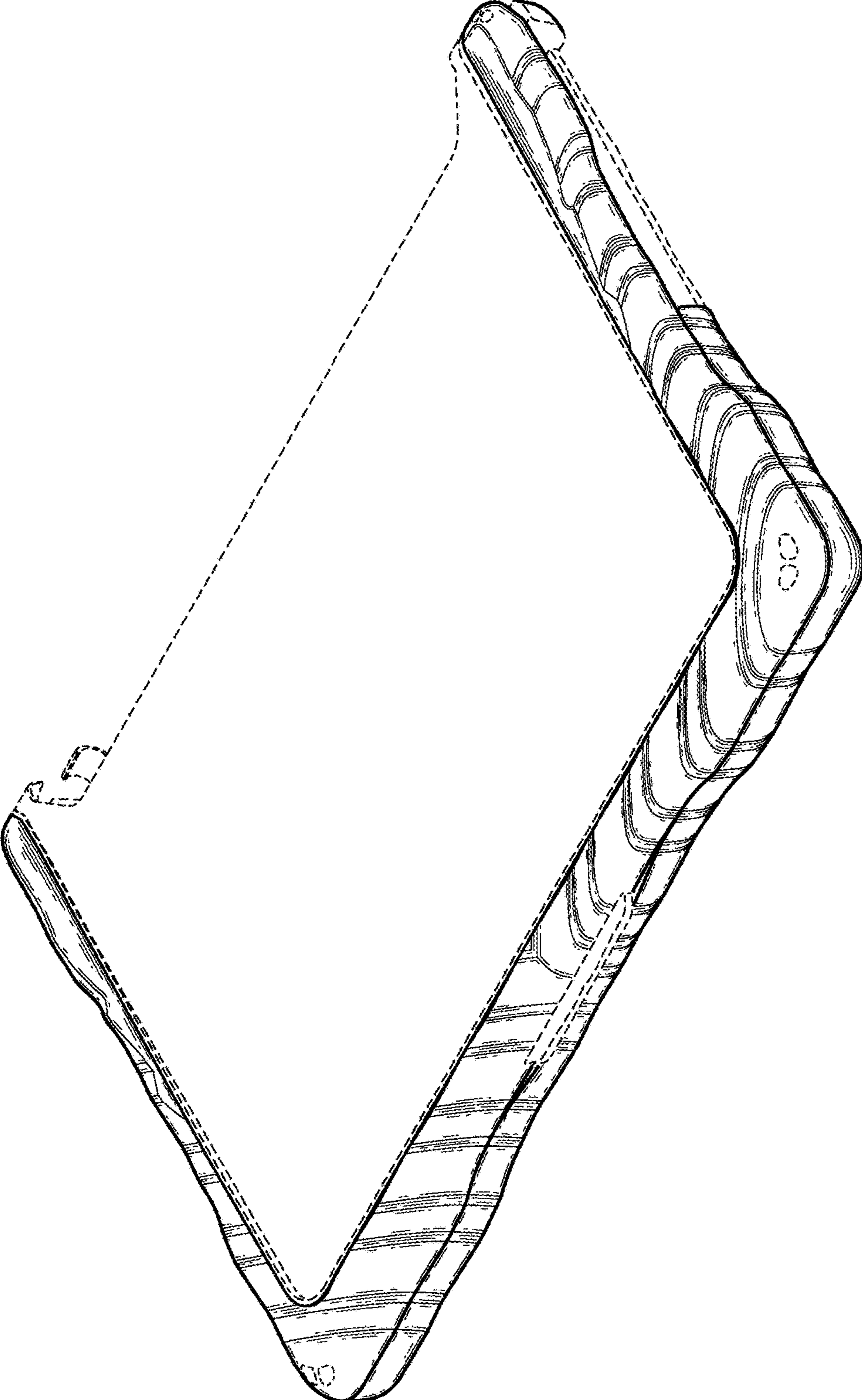


Fig. 1

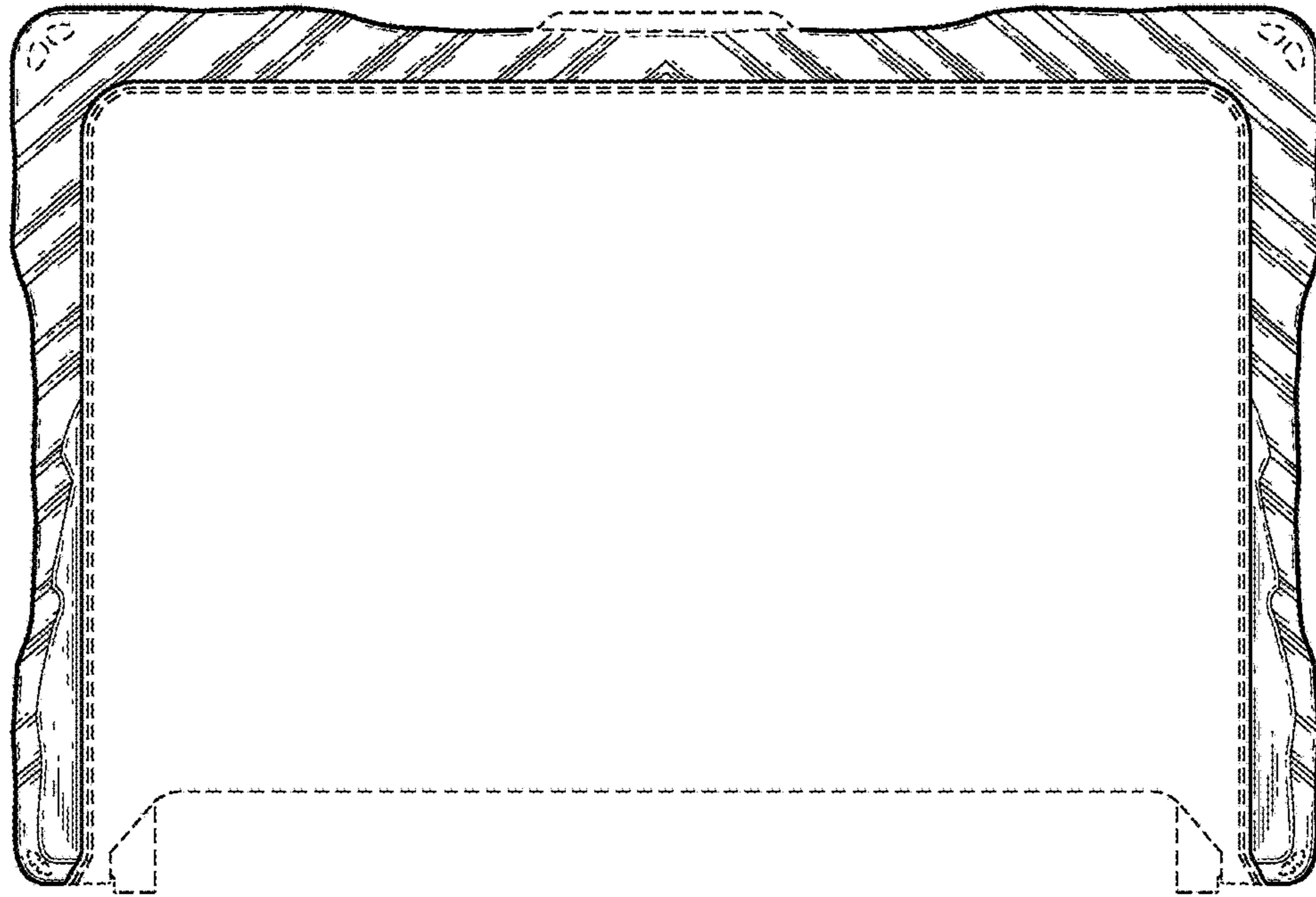


Fig. 2

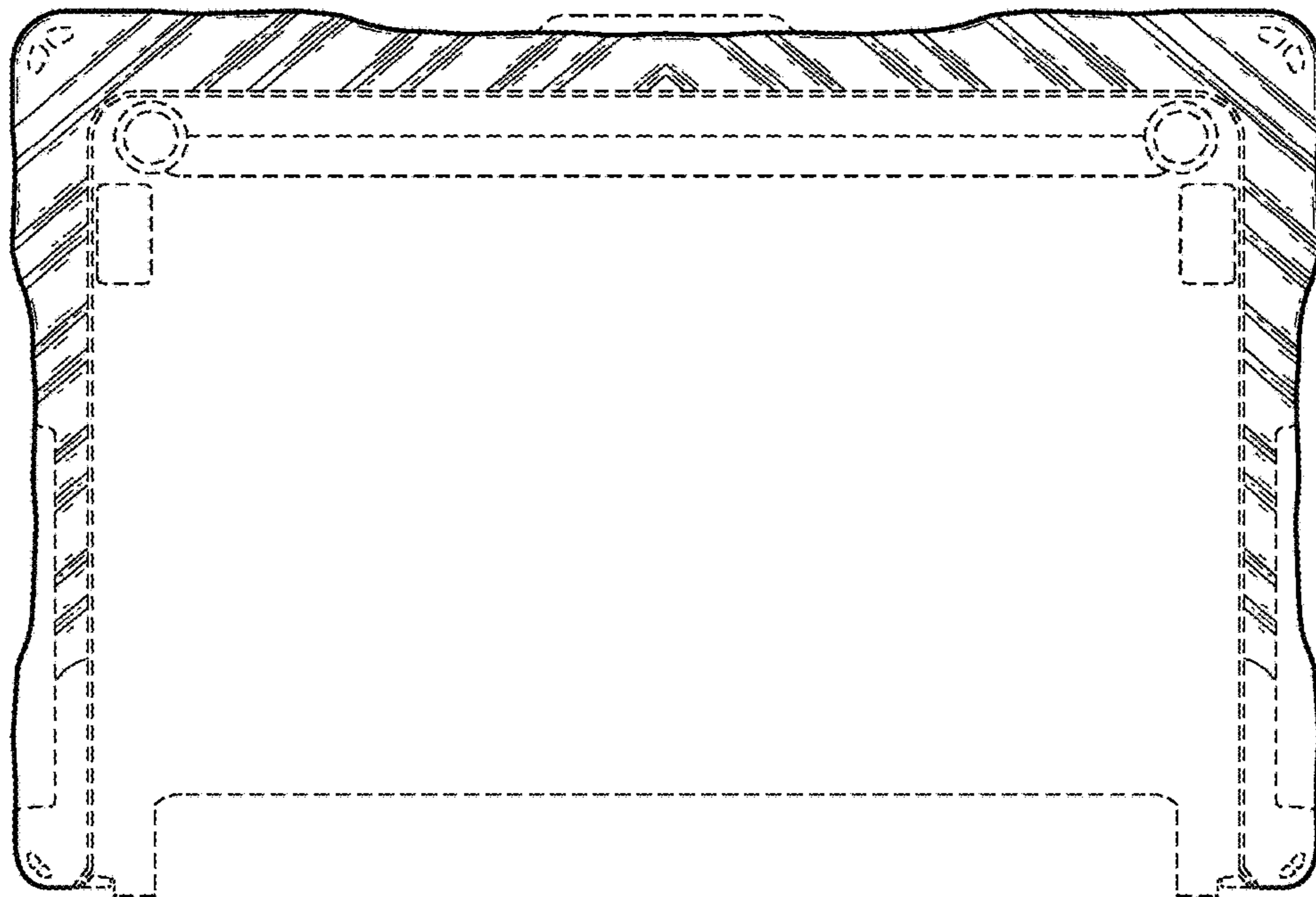


Fig. 3

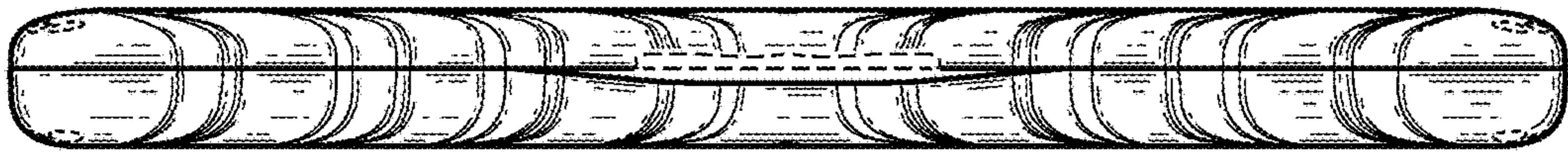


Fig. 4

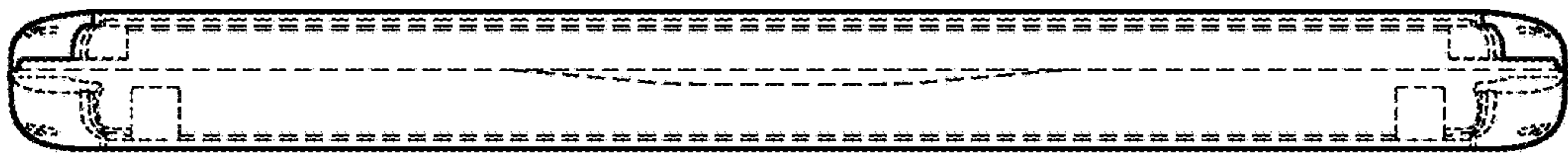


Fig. 5

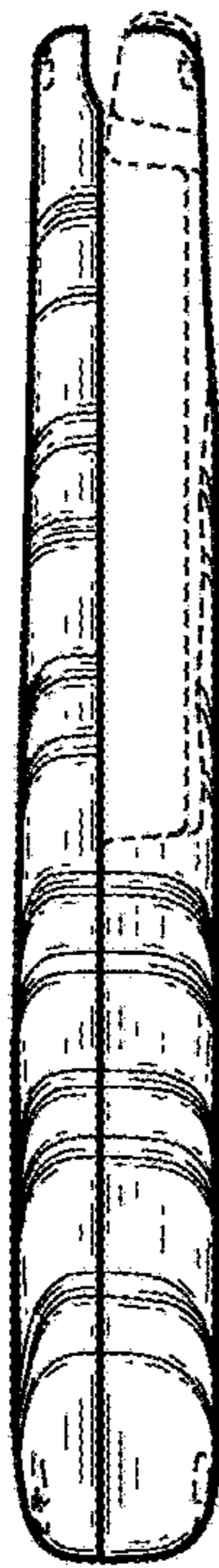


Fig. 6

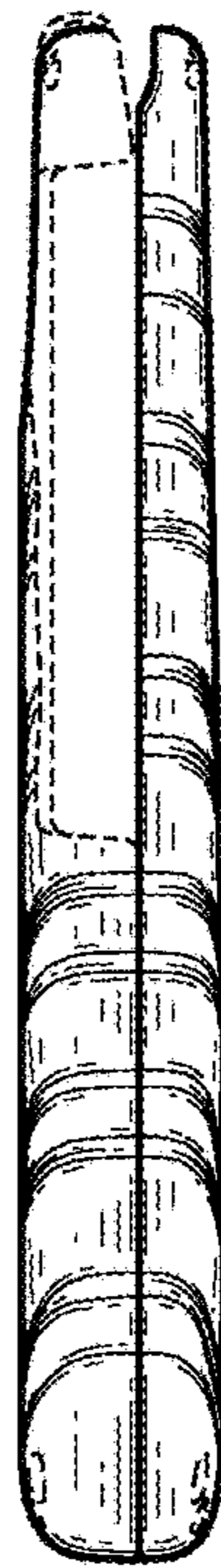


Fig. 7