



US00D863315S

(12) **United States Design Patent** (10) **Patent No.:** **US D863,315 S**
Chan et al. (45) **Date of Patent:** **** Oct. 15, 2019**

(54) **CASE FOR ELECTRONIC TABLET DEVICE**

(71) Applicant: **Pioneer Square Brands, Inc.**, Seattle, WA (US)

(72) Inventors: **Jaimie Emerald Chan**, Renton, WA (US); **Michael Cooper Ferren**, Camus, WA (US); **Brian Lewis Piper**, Seattle, WA (US)

(73) Assignee: **PIONEER SQUARE BRANDS, INC.**, McLean, VA (US)

(**) Term: **15 Years**

(21) Appl. No.: **29/697,427**

(22) Filed: **Jul. 9, 2019**

(51) **LOC (12) Cl.** **14-02**

(52) **U.S. Cl.**
USPC **D14/440**

(58) **Field of Classification Search**
USPC D14/440, 447, 250; 206/45.23, 320, 206/45.2; 361/679.55; 294/25; 224/218
CPC G06F 1/1628; G06F 1/1626; A47B 23/044
See application file for complete search history.

(56) **References Cited**

U.S. PATENT DOCUMENTS

D574,385 S	8/2008	Koh et al.	
D574,836 S	8/2008	Koh et al.	
D636,396 S	4/2011	Li	
D641,756 S	7/2011	Hsieh et al.	
D643,843 S	8/2011	Hsieh et al.	
D665,168 S	8/2012	Dawson	
D668,660 S	10/2012	Norfolk	
D673,159 S	12/2012	McCarthy et al.	
D674,801 S	1/2013	Wharram	
D685,357 S *	7/2013	Rekuc	D14/250
D688,249 S	8/2013	Wharram	
D689,851 S *	9/2013	Chang	D14/250

D691,122 S	10/2013	Bau	
D694,759 S	12/2013	Chang et al.	
D695,298 S	12/2013	Han et al.	
D696,257 S	12/2013	Ward et al.	
D709,510 S	7/2014	Soare	
D716,280 S *	10/2014	Macrina	D14/250
D716,282 S	10/2014	Melanson et al.	
D718,316 S	11/2014	Veltz et al.	
D719,145 S *	12/2014	Barfoot	D14/250
D721,370 S *	1/2015	Barfoot	D14/400
D729,252 S	5/2015	Smith et al.	
D729,811 S	5/2015	Alis	
D731,494 S *	6/2015	Barfoot	D14/440
D733,154 S *	6/2015	Armstrong	D14/440
D734,761 S	7/2015	Ballou et al.	
D745,505 S *	12/2015	Barfoot	D14/250
D745,525 S *	12/2015	Bates	D14/440
D763,854 S	8/2016	Donke et al.	
D763,856 S	8/2016	Moore	
D766,249 S *	9/2016	Veltz	D14/440
D770,458 S	11/2016	Corcoran et al.	

(Continued)

Primary Examiner — Cynthia R Underwood
(74) *Attorney, Agent, or Firm* — Grandview Law

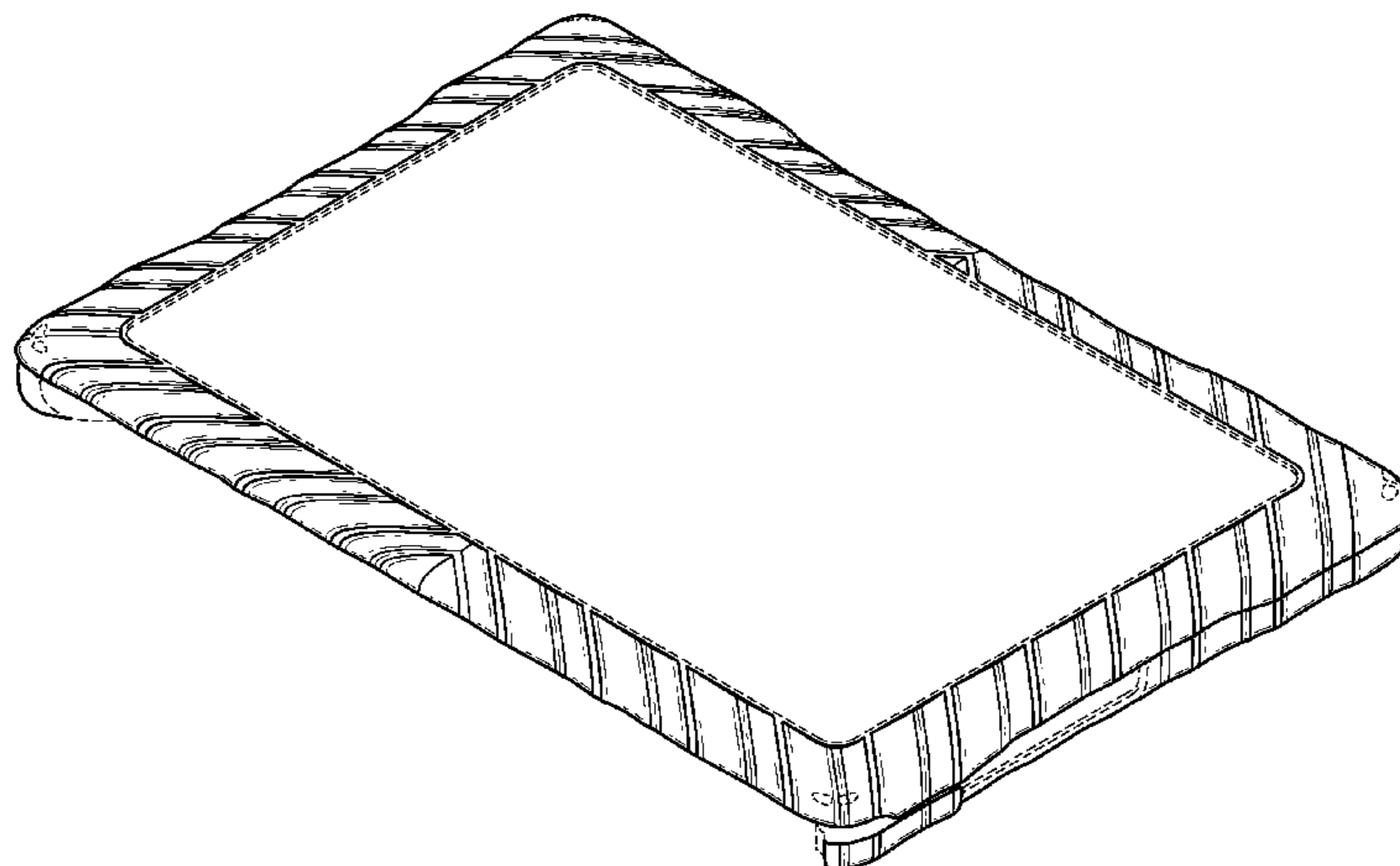
(57) **CLAIM**

The ornamental design for a case for electronic tablet device, as shown and described.

DESCRIPTION

FIG. 1 is a front perspective view of a case for electronic tablet device showing our new design; FIG. 2 is a front elevational view thereof; FIG. 3 is a rear elevational view thereof; FIG. 4 is a top plan view thereof; FIG. 5 is a bottom plan view thereof; FIG. 6 is a left elevational view thereof; and, FIG. 7 is a right elevational view thereof. The features shown in broken lines in the drawing figures depict features that form no part of the claimed design.

1 Claim, 3 Drawing Sheets



(56)

References Cited

U.S. PATENT DOCUMENTS

D775,132 S 12/2016 Smith et al.
 D777,727 S 1/2017 Maicon et al.
 D782,460 S * 3/2017 Bertrand D14/250
 D789,937 S 6/2017 Zhang
 D791,773 S 7/2017 Moore et al.
 D794,625 S 8/2017 Armstrong et al.
 D795,878 S 8/2017 English et al.
 D795,880 S * 8/2017 Akana D14/440
 D795,881 S * 8/2017 Akana D14/440
 D800,105 S * 10/2017 Roberts D14/250
 D806,082 S 12/2017 Armstrong et al.
 D808,395 S * 1/2018 Fenton D14/440
 D811,410 S 2/2018 Bumester
 D812,065 S 3/2018 Shim
 D812,618 S 3/2018 Altaras
 D812,619 S 3/2018 Altaras
 D816,651 S 5/2018 Chiang et al.
 D817,334 S * 5/2018 Fenton D14/440
 D817,944 S 5/2018 Akana et al.
 D821,380 S 6/2018 Cramer et al.
 D821,382 S 6/2018 Livingston
 D822,014 S 7/2018 Han
 D823,297 S 7/2018 Kim et al.

D825,571 S * 8/2018 Shannon, III D14/440
 D827,630 S 9/2018 Ahn
 D828,842 S 9/2018 Mecchella et al.
 D829,721 S * 10/2018 Zhang D14/440
 D831,631 S 10/2018 Li
 D832,019 S 10/2018 Kim
 D832,269 S 10/2018 Cheng
 D833,425 S 11/2018 Ahn
 D834,026 S 11/2018 Moore et al.
 D834,581 S 11/2018 Li
 D837,779 S 1/2019 Kim
 D837,796 S 1/2019 Kim et al.
 D841,012 S 2/2019 Kim et al.
 D841,013 S * 2/2019 Ferren D14/440
 D844,621 S * 4/2019 Chen D14/440
 D848,441 S 5/2019 Ferren et al.
 D850,454 S 6/2019 Kim et al.
 D852,201 S 6/2019 Chan et al.
 D856,340 S * 8/2019 Tur D14/440
 D856,341 S * 8/2019 Tur D14/440
 D857,022 S * 8/2019 Tur D14/440
 2015/0068934 A1 * 3/2015 Armstrong A45C 11/00
 206/320
 2015/0270734 A1 * 9/2015 Davison H02J 7/0054
 320/103
 2017/0045920 A1 * 2/2017 Armstrong G06F 1/1669

* cited by examiner

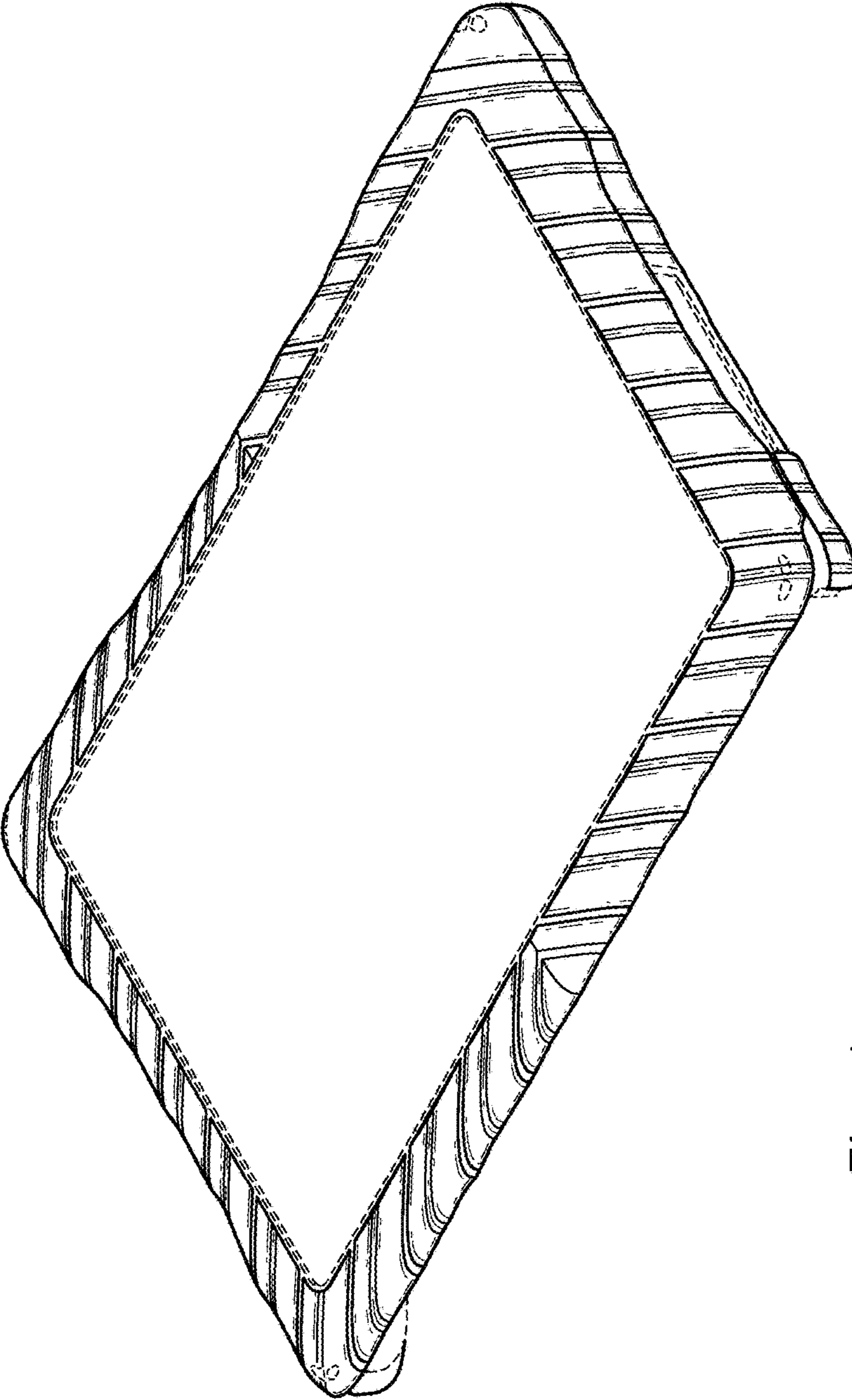


Fig. 1

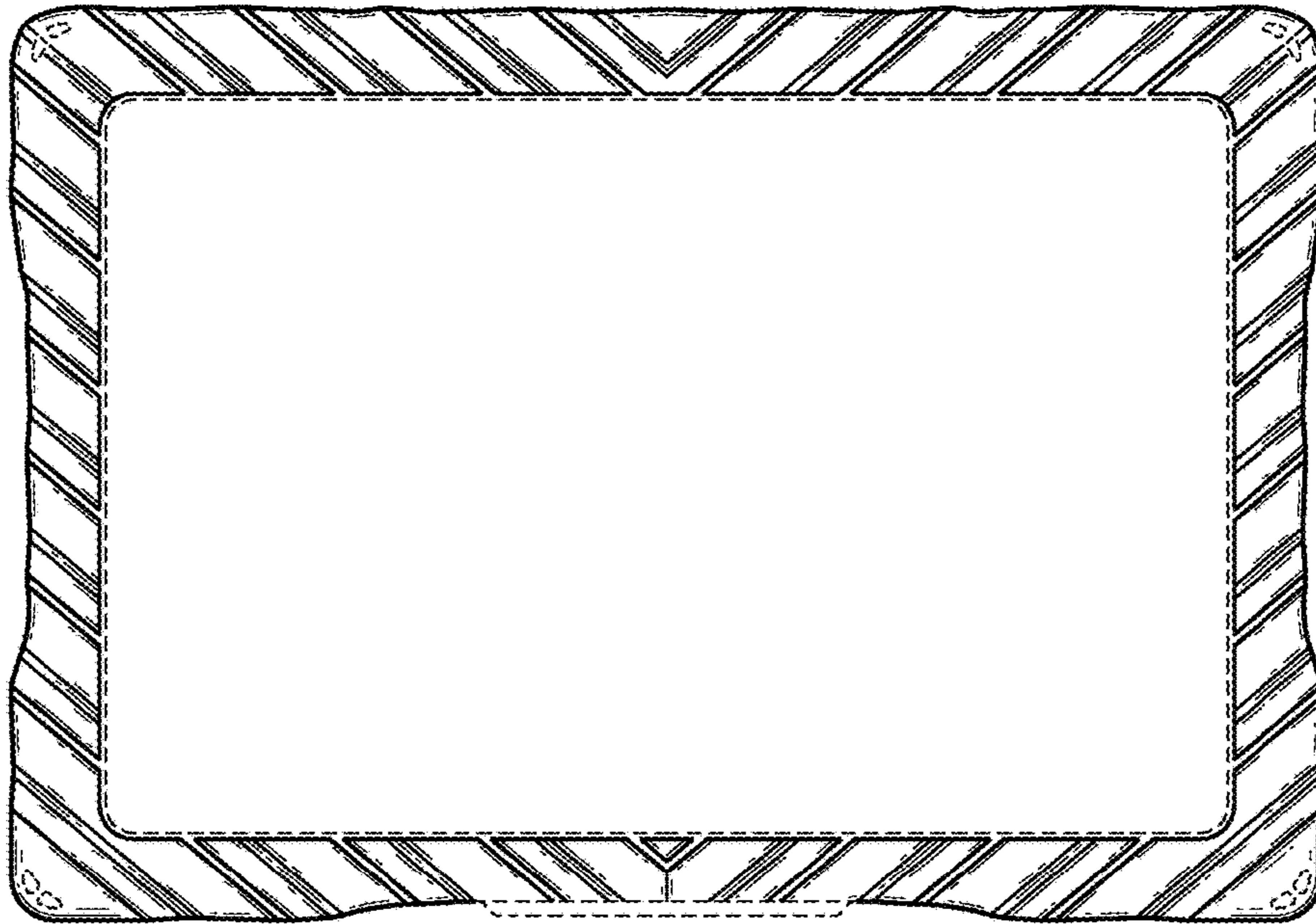


Fig. 2

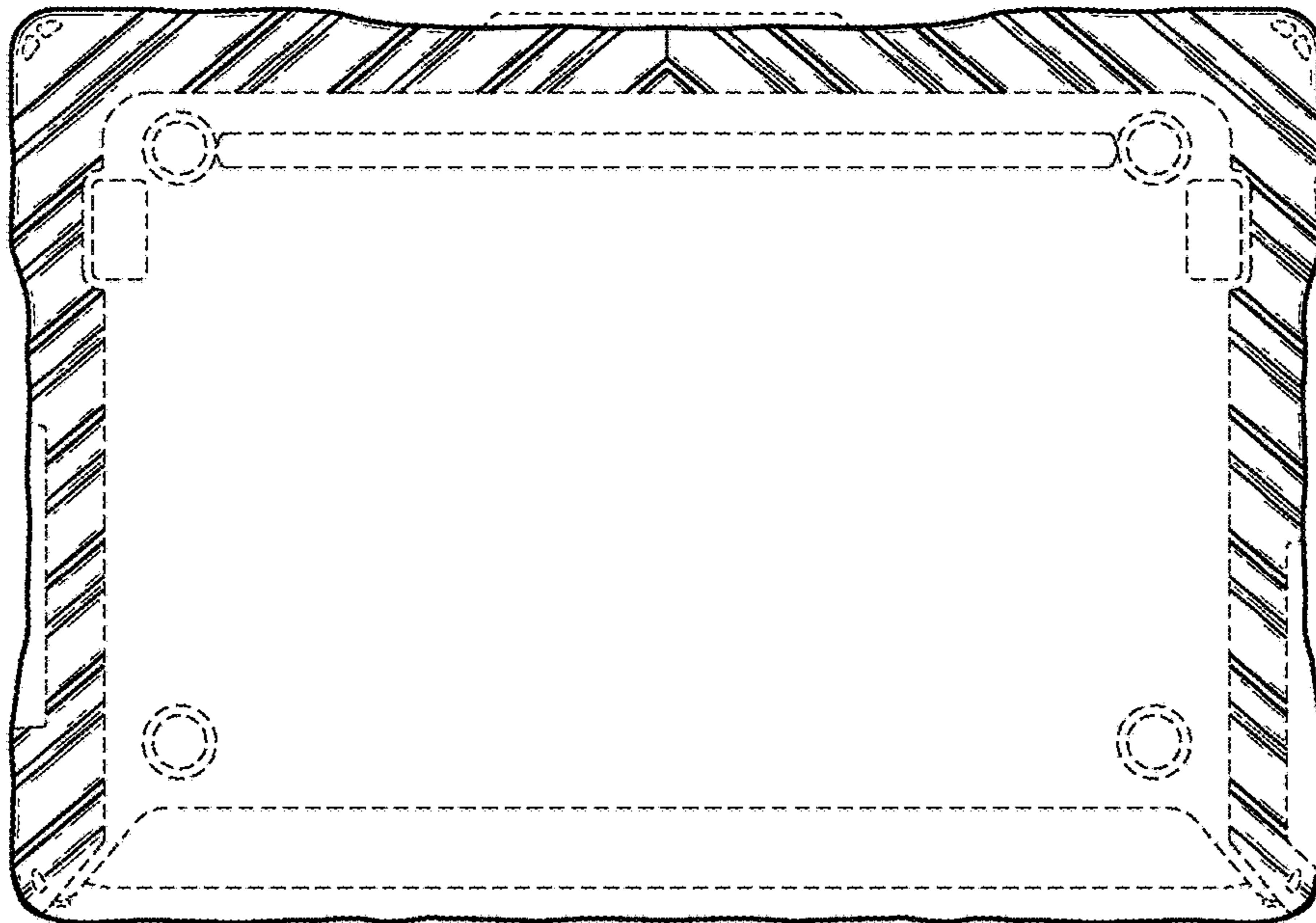


Fig. 3

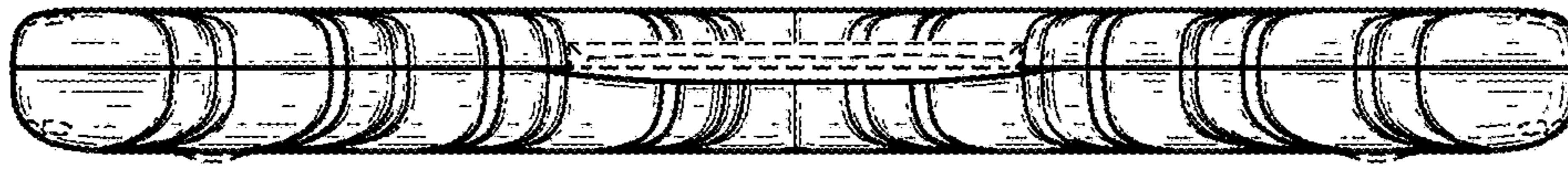


Fig. 4

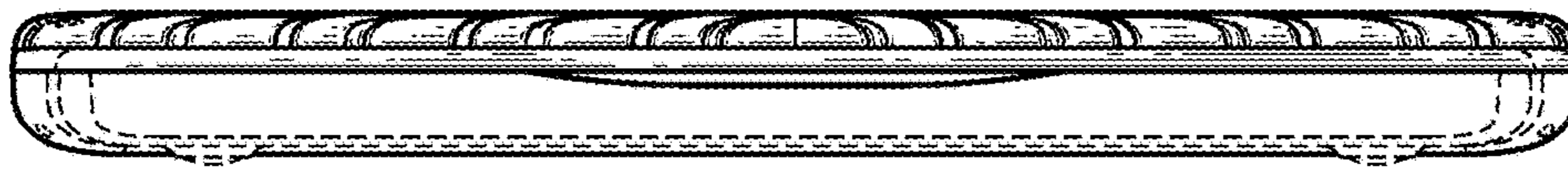


Fig. 5

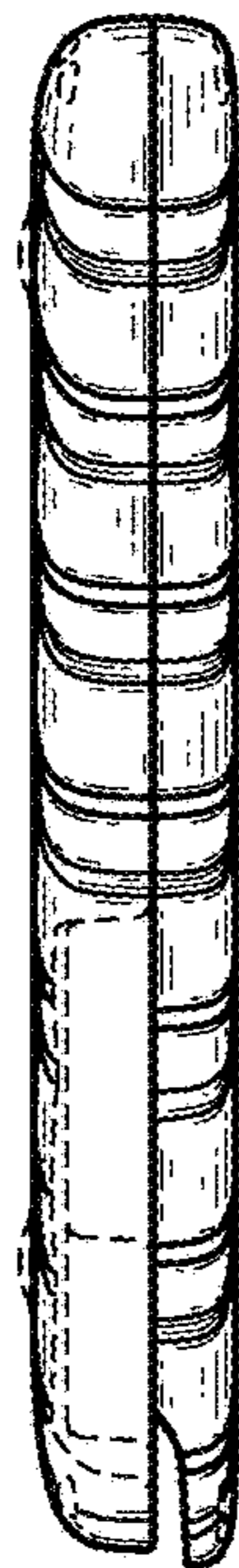


Fig. 6

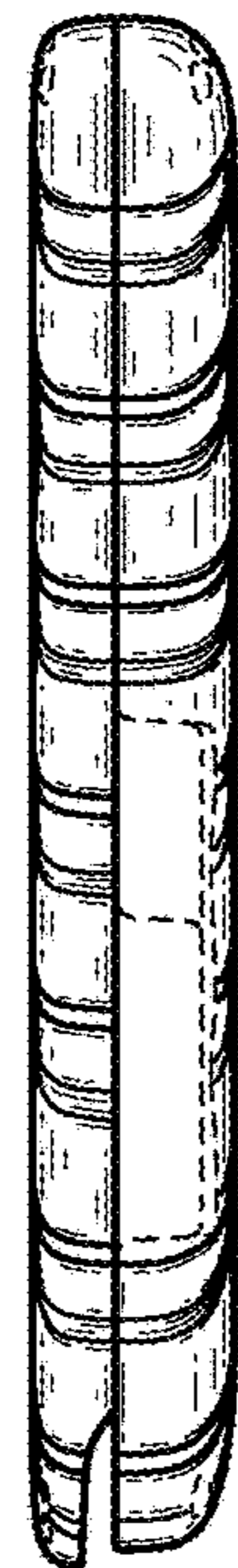


Fig. 7