



US00D863305S

(12) **United States Design Patent**
Egami

(10) **Patent No.:** **US D863,305 S**
(45) **Date of Patent:** **** Oct. 15, 2019**

(54) **SCANNER**

(71) Applicant: **BROTHER INDUSTRIES, LTD.**,
Nagoya-shi, Aichi-ken (JP)

(72) Inventor: **Keiichiro Egami**, Kuwana (JP)

(73) Assignee: **BROTHER INDUSTRIES, LTD.**,
Nagoya (JP)

(**) Term: **15 Years**

(21) Appl. No.: **29/586,173**

(22) Filed: **Dec. 1, 2016**

(30) **Foreign Application Priority Data**

Jun. 3, 2016 (JP) 2016-11907

(51) **LOC (12) Cl.** **14-02**

(52) **U.S. Cl.**
USPC **D14/422**

(58) **Field of Classification Search**

USPC D14/421-425; D18/40, 36-39, 41,
D18/44-56; 235/462, 455, 470, 462.43,
235/482, 483; 358/474, 486, 488, 496,
358/498, 452, 449, 451, 453.1, 1.13, 487,
358/489, 492, 493, 494; 318/685, 696;
355/81, 75; 399/405, 367, 379, 380;
382/217; 715/209, 222, 226, 274;
400/613, 613.1-613.4, 690.1-690.4,
400/691-694; 271/145, 264, 267, 275,
271/109

CPC H04N 1/00; H04N 1/12; H04N 1/00013;
H04N 1/00015; H04N 1/00018; H04N
1/00026; H04N 1/00557; H04N 1/00564;
H04N 1/00567; H04N 1/0057; H04N
1/00572; H04N 1/00586; H04N 1/00588;
H04N 1/00591; H04N 1/00594; H04N
1/00596; H04N 1/00604; H04N 1/00519;
H04N 1/00559; H04N 1/1013; H04N
1/10; H04N 1/00551; H04N 1/00278;
H04N 2201/0456; H04N 2201/0446;

H04N 2201/00; H04N 2201/0094; H04N
1/00525; G03G 15/0142; G03G 15/605;
G03G 15/602; B65H 5/26; B65H 5/30;
B65H 7/00; B65H 2402/515; B65H
2402/31; B65H 2511/20; B65H 2511/414;
B65H 2511/00194; B65H 2511/00198;
B65H 2511/00202; B65H 2511/00206;
B65H 2301/00; B65H 2220/04; B65H
3/5261; B65H 2513/42; G06K 15/1204

See application file for complete search history.

(56) **References Cited**

U.S. PATENT DOCUMENTS

D318,066 S * 7/1991 Moro D18/54
D401,271 S * 11/1998 Nakajima D18/55
D518,826 S * 4/2006 Chujou D14/422
D571,369 S * 6/2008 Sugitani D14/421

(Continued)

Primary Examiner — Susan Moon Lee

(74) *Attorney, Agent, or Firm* — Oliff PLC

(57) **CLAIM**

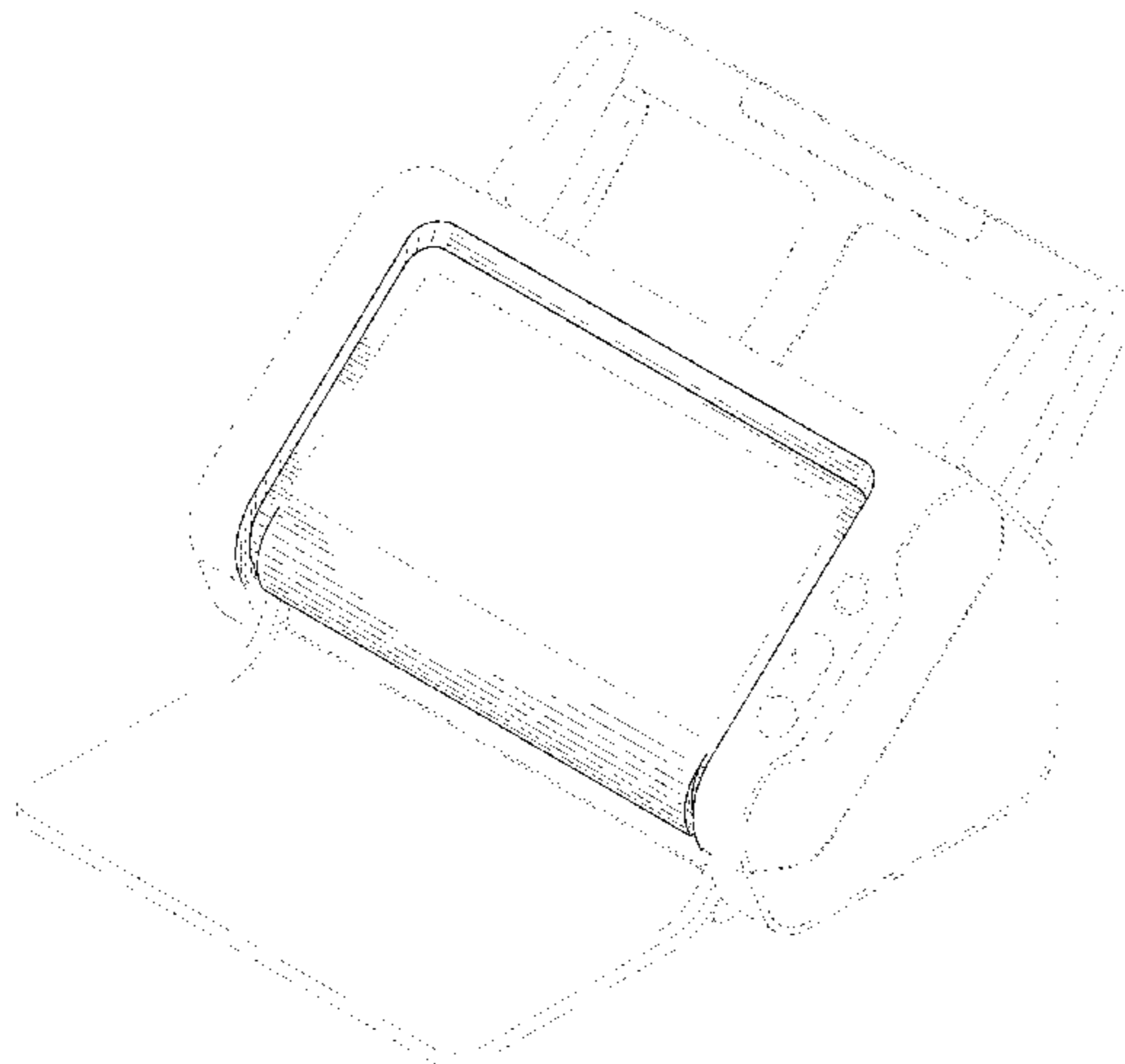
The ornamental design for a scanner, as shown and described.

DESCRIPTION

FIG. 1 is a perspective view of a scanner with the tray in a first, open position;
FIG. 2 is a front view thereof;
FIG. 3 is a top view thereof;
FIG. 4 is a right-side view thereof;
FIG. 5 is a left-side view thereof;
FIG. 6 is a rear view thereof;
FIG. 7 is a bottom view thereof; and,
FIG. 8 is a perspective view thereof with the tray in a second, closed position.

The broken lines depict unclaimed portions of the scanner and form no part of the claimed design.

1 Claim, 7 Drawing Sheets



(56)

References Cited

U.S. PATENT DOCUMENTS

D571,370 S * 6/2008 Sugitani D14/422
D610,153 S * 2/2010 Kuroda D14/422
D632,295 S * 2/2011 Kuroda D14/422
D650,387 S * 12/2011 Iwatsu D14/422
D721,372 S * 1/2015 Kuroda D14/422
D766,246 S * 9/2016 Inada D14/422
D776,118 S * 1/2017 Ishida D14/422
D783,023 S * 4/2017 Kuroda D14/422
D788,110 S * 5/2017 Kuroda D14/422
D794,640 S * 8/2017 Shigeno D14/422
D797,744 S * 9/2017 Tan D14/422
D813,871 S * 3/2018 Egami D14/422
D844,004 S * 3/2019 Ishida D14/422
D845,951 S * 4/2019 Shigeno D14/422
2003/0063337 A1 * 4/2003 Shirai H04N 1/0062
358/498
2007/0188818 A1 * 8/2007 Westcott H04N 1/00525
358/296
2009/0230611 A1 * 9/2009 Ngai H04N 1/00525
271/145
2013/0056923 A1 * 3/2013 Kuriki B65H 31/02
271/145
2013/0163056 A1 * 6/2013 Hanayama H04N 1/00013
358/474
2016/0191734 A1 * 6/2016 Yu H04N 1/00748
358/450
2017/0107072 A1 * 4/2017 Nakamura B65H 29/14
2017/0267476 A1 * 9/2017 Miyagi H04N 1/00602
2017/0279991 A1 * 9/2017 Shiota B65H 3/06
2018/0007221 A1 * 1/2018 Mokuo H04N 1/00602
2018/0179006 A1 * 6/2018 Kogi B65H 3/063

* cited by examiner

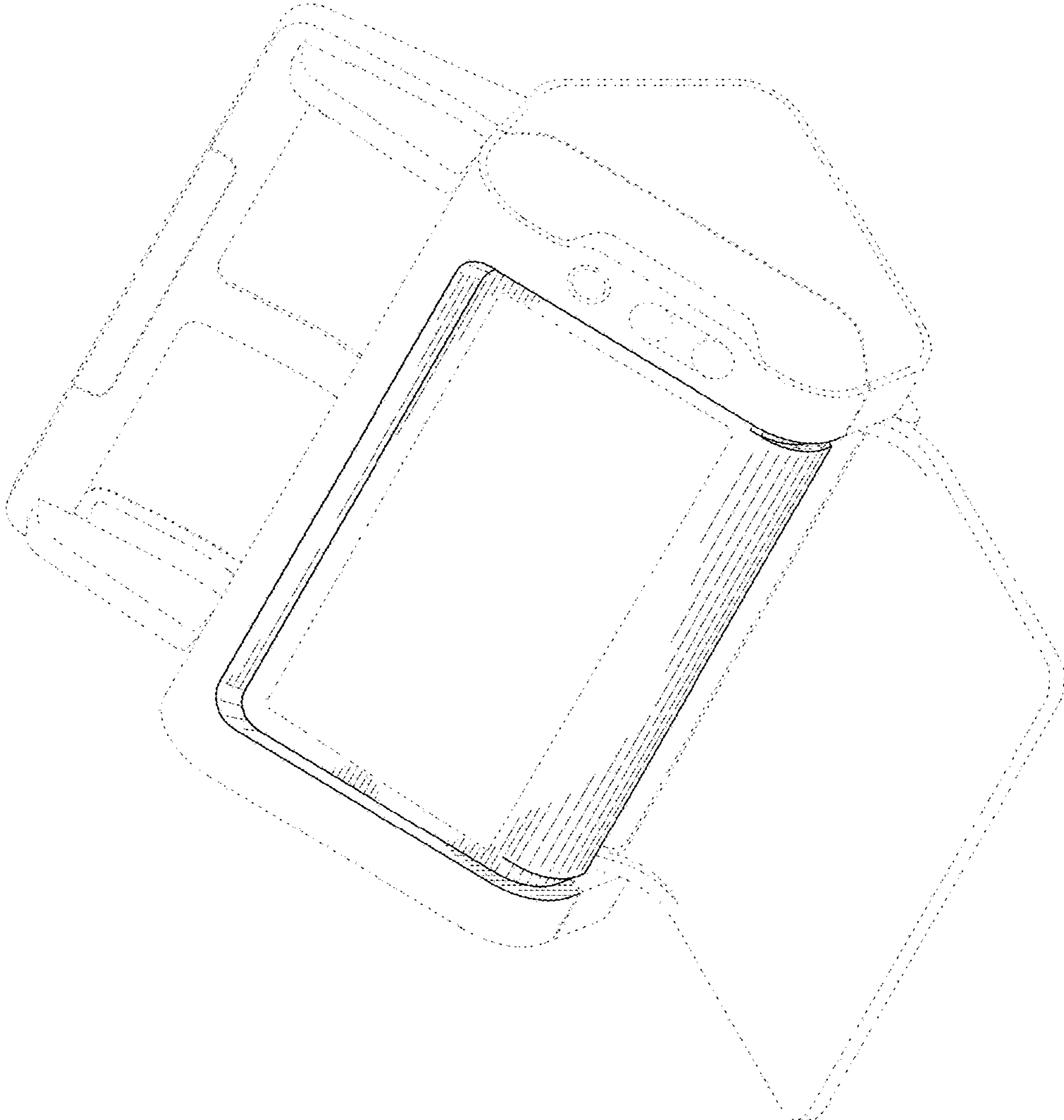


FIG. 1

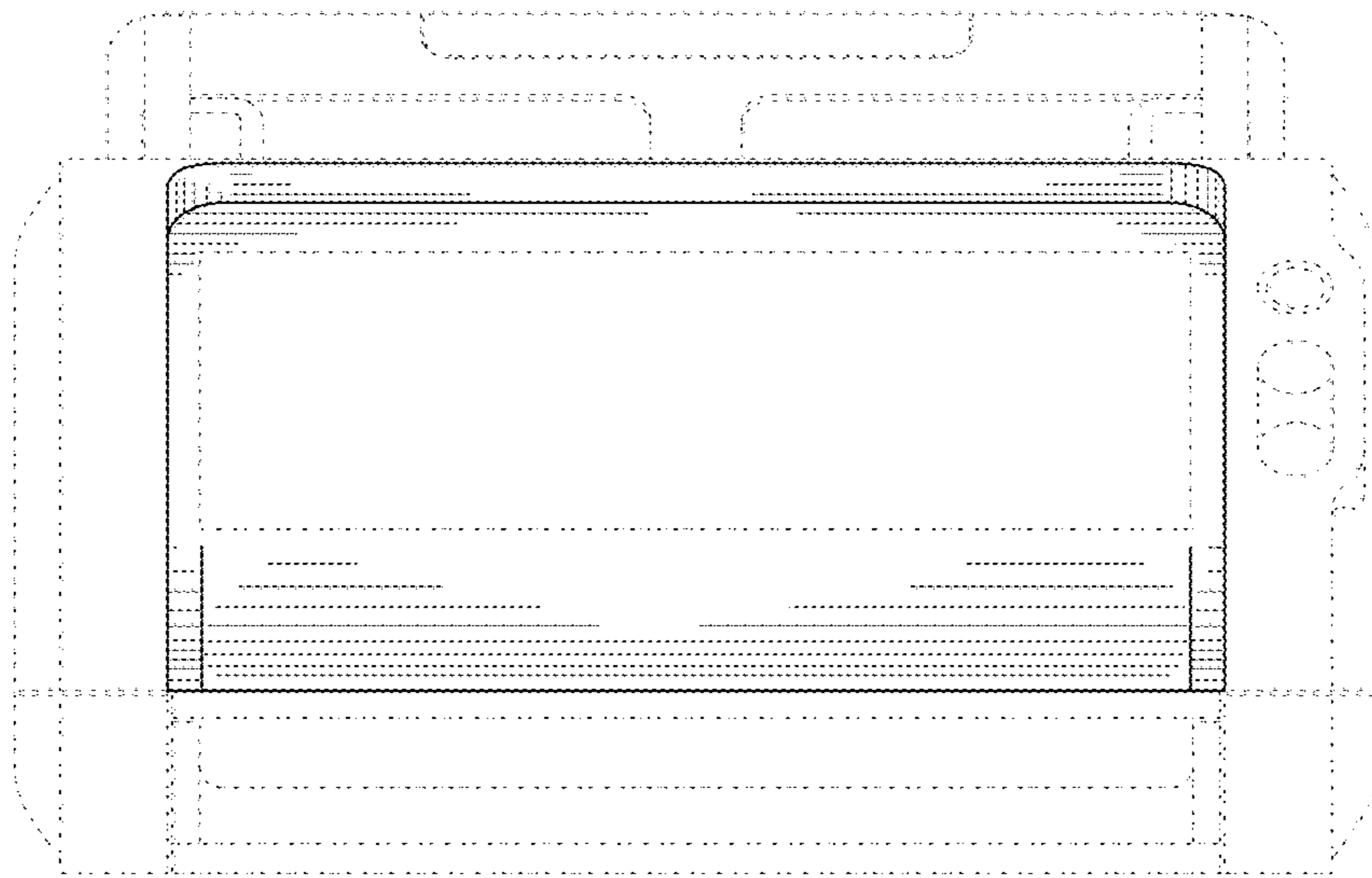


FIG. 2

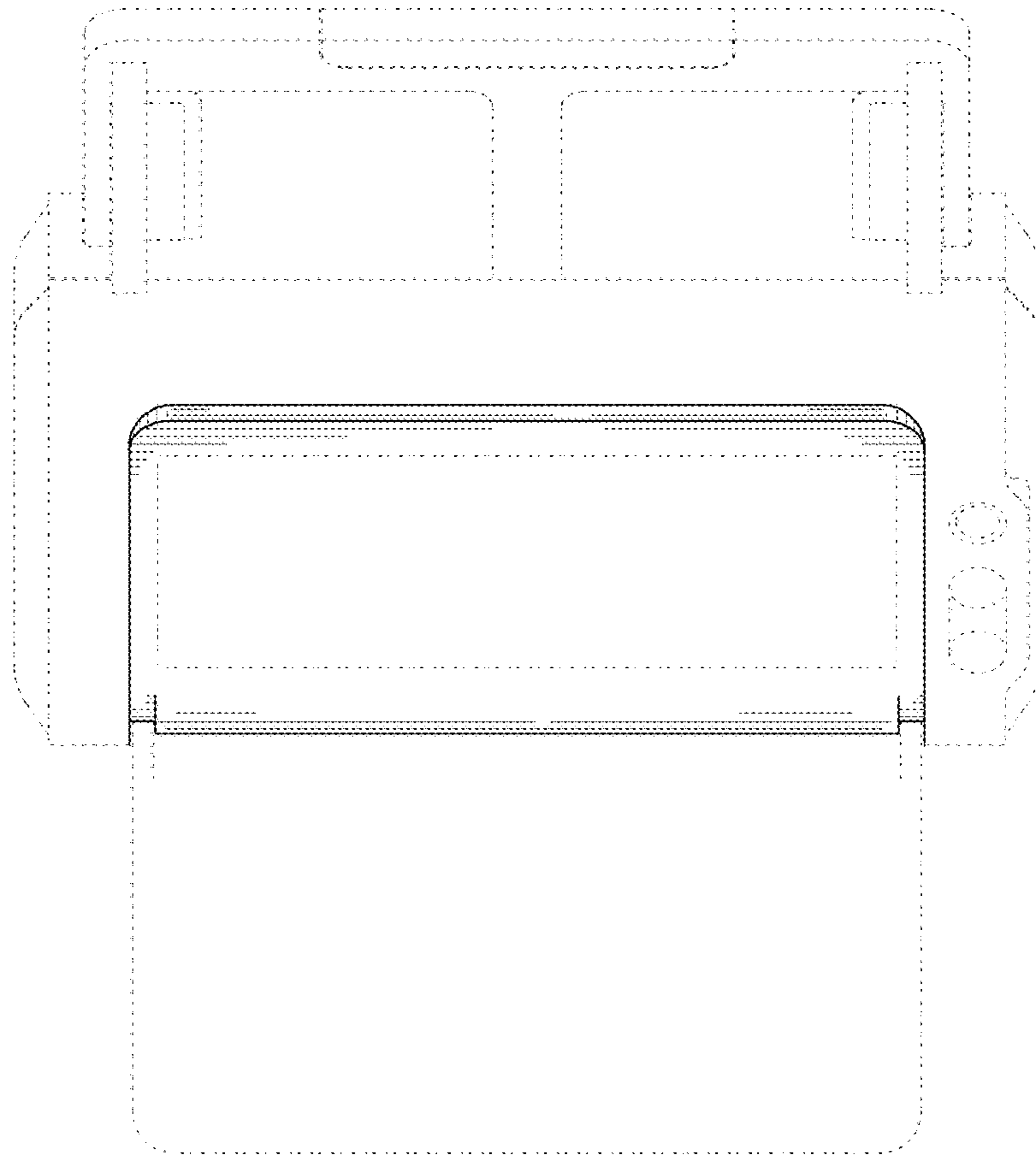


FIG. 3

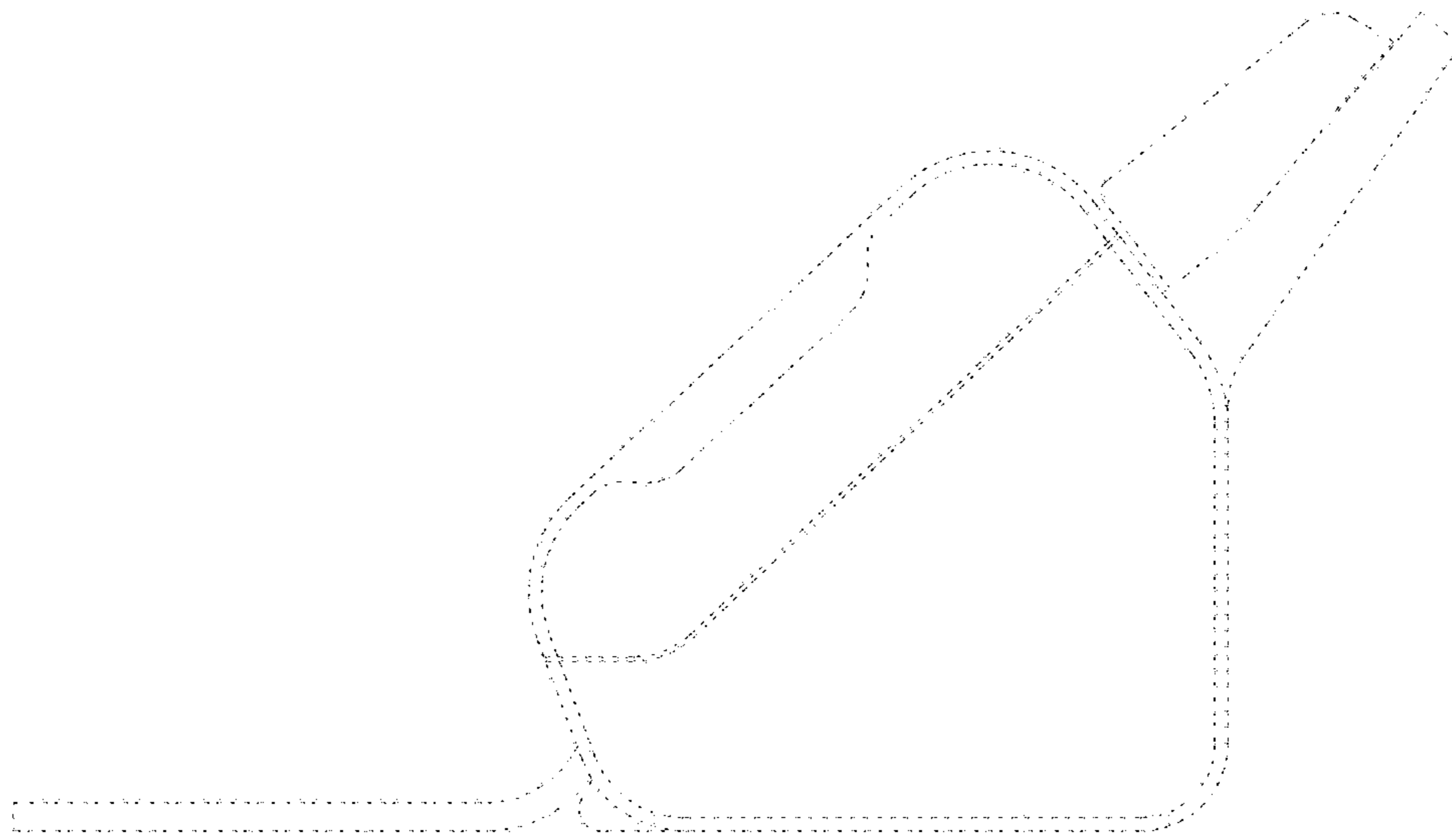


FIG. 4

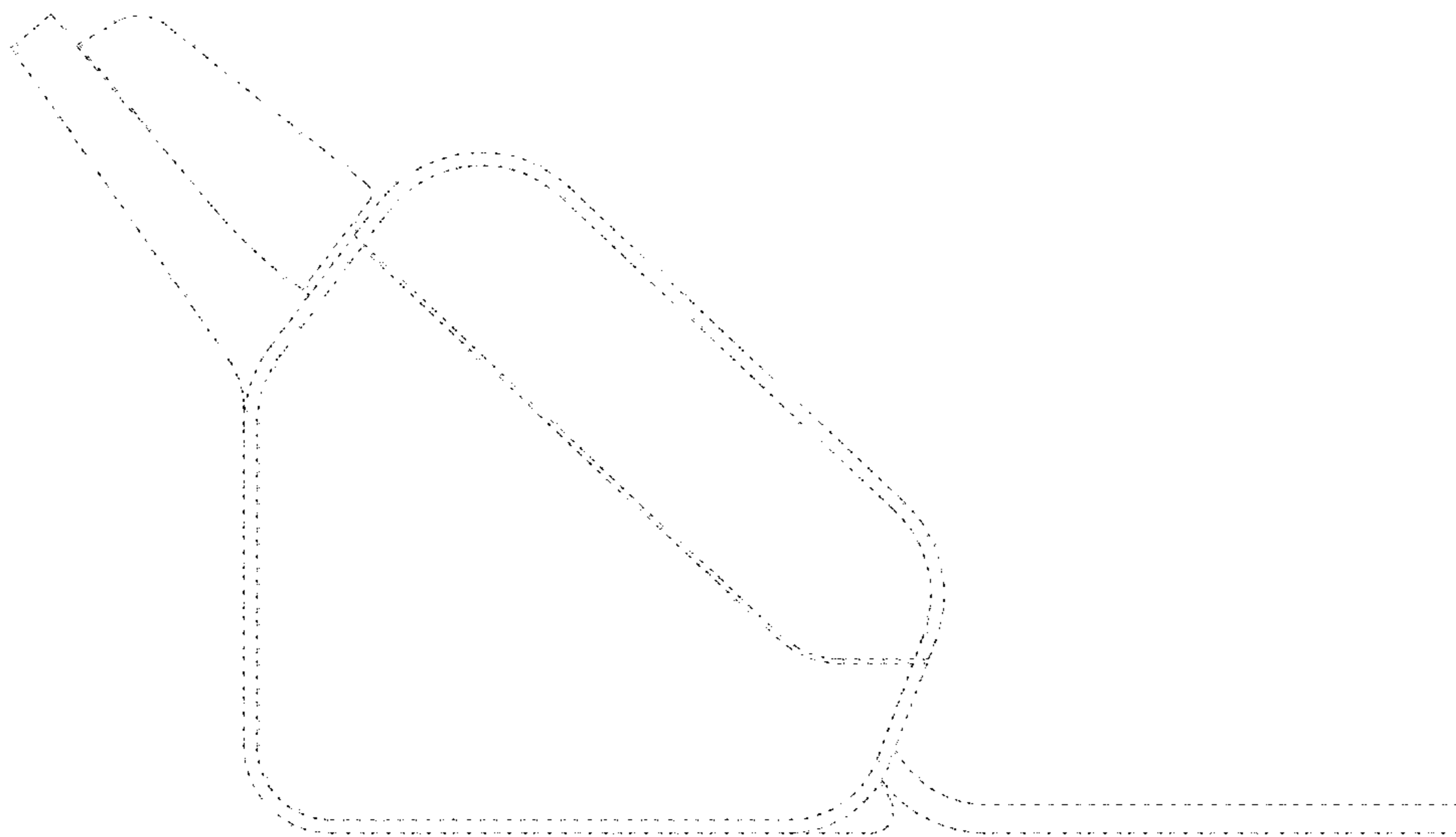


FIG. 5



FIG. 6

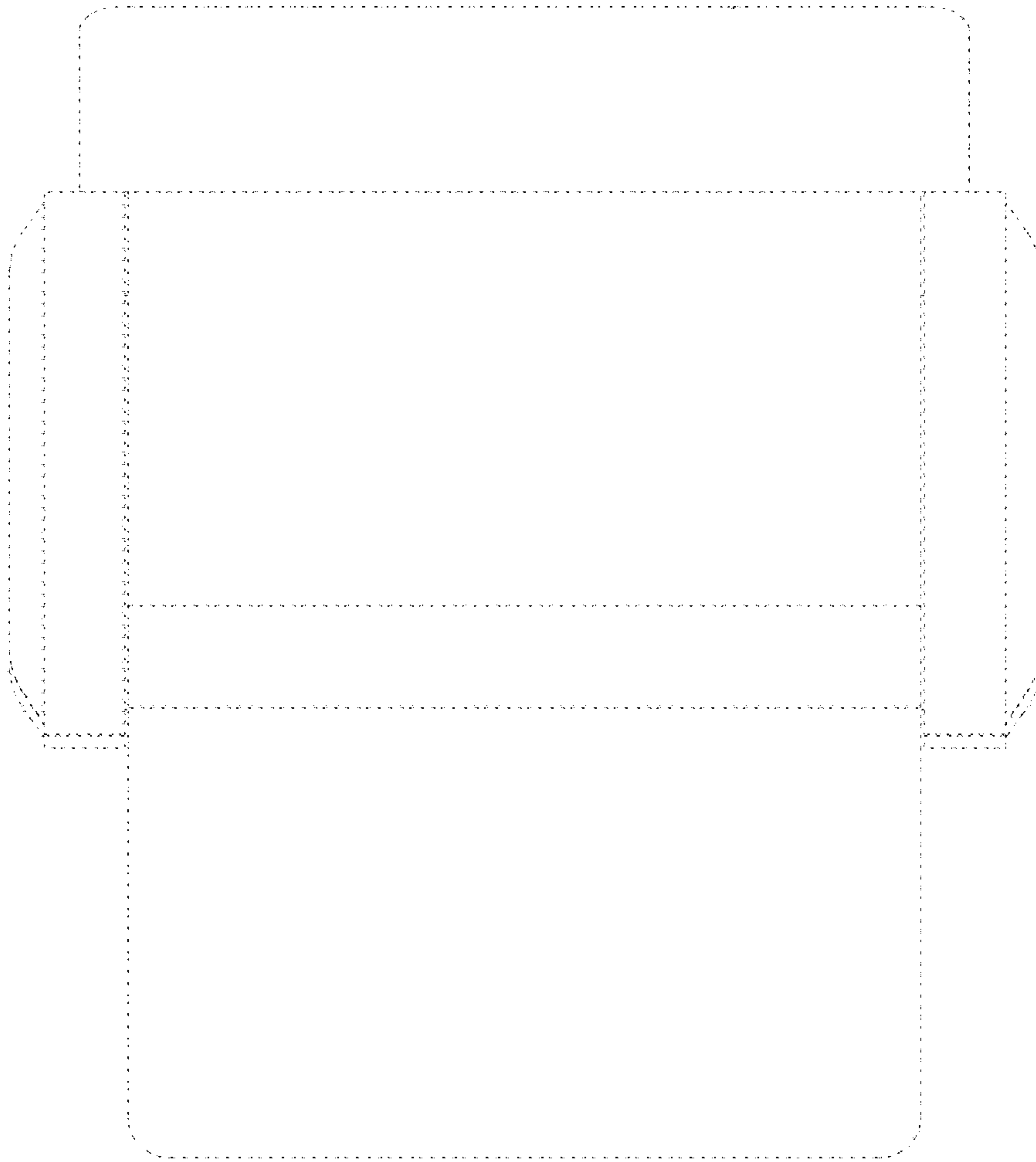


FIG. 7

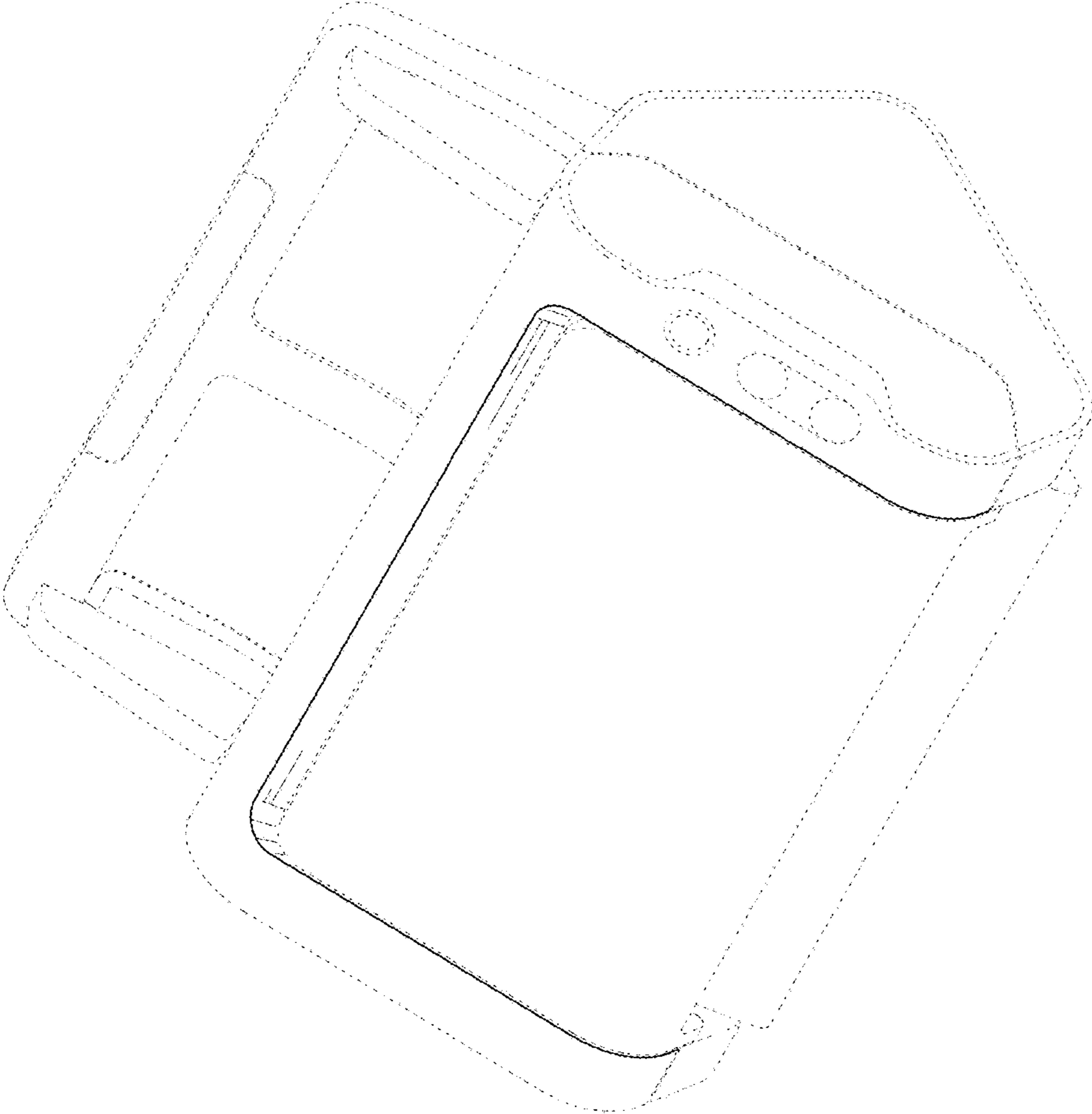


FIG. 8