



US00D863304S

(12) **United States Design Patent** (10) **Patent No.:** **US D863,304 S**
Watanabe et al. (45) **Date of Patent:** **** Oct. 15, 2019**

(54) **BARCODE READER MODULE**

(71) Applicant: **Panasonic Intellectual Property Management Co., Ltd.**, Osaka-shi, Osaka (JP)

(72) Inventors: **Seiichi Watanabe**, Tokyo (JP); **Yasuyuki Tanaka**, Kanagawa (JP)

(73) Assignee: **Panasonic Intellectual Property Management Co., Ltd.**, Osaka (JP)

(**) Term: **15 Years**

(21) Appl. No.: **29/667,905**

(22) Filed: **Oct. 25, 2018**

(30) **Foreign Application Priority Data**

Apr. 26, 2018 (JP) 2018-009253

(51) **LOC (12) Cl.** **14-02**

(52) **U.S. Cl.**
USPC **D14/420**; D14/435; D14/453

(58) **Field of Classification Search**
USPC D14/420, 426-430, 453, 341, 435-438;
235/462.01, 462.15, 462.11, 462.43,
235/462.45, 462.46, 462.47, 462.49,
235/472.01, 472.02, 472.03, 385, 454,
235/435, 439-441, 375, 444, 456, 459,
235/462.14, 462.17, 462.2, 462.21, 490,
235/494, 476, 462.22, 462.32, 462.35,
235/470, 462.44; 382/313, 321, 318;
358/473; 250/215, 216, 566;
D26/37-50, 24; 362/157, 158, 171-174,
362/183-208; 396/427; D24/158;
D10/78-80; D16/202, 203, 208;
439/639-642; 361/679.01; 340/679;
359/32, 34

CPC G06K 7/10584; G06K 7/10613; G06K
7/10821; G06K 7/109; G06K 7/10693;
G06K 7/10871; G06K 7/1096; G06K
7/10; G06K 7/10564; G06K 7/10594;
G06K 7/10603; G06K 7/10663; G06K

7/10673; G06K 7/10702; G06K 7/10792;
G06K 7/10633; G06K 7/10653; G06K
7/10881; G06K 7/10891; G06K 7/14;
G06K 7/1443; G06K 7/10801; G06K
7/10811; G06K 7/10851; G06K 7/10861;
G06K 2207/1011; G06K 2207/1012;
G06K 2207/1013; G06K 2207/1016;
G06K 2207/1017; G06K 2207/1018;
G06K 2207/10534; G06K

(Continued)

(56) **References Cited**

U.S. PATENT DOCUMENTS

D295,413 S * 4/1988 Nakamura D14/420
D312,046 S * 11/1990 Ruehlemann D10/70

(Continued)

Primary Examiner — Susan Moon Lee

(74) *Attorney, Agent, or Firm* — Brinks Gilson & Lione

(57) **CLAIM**

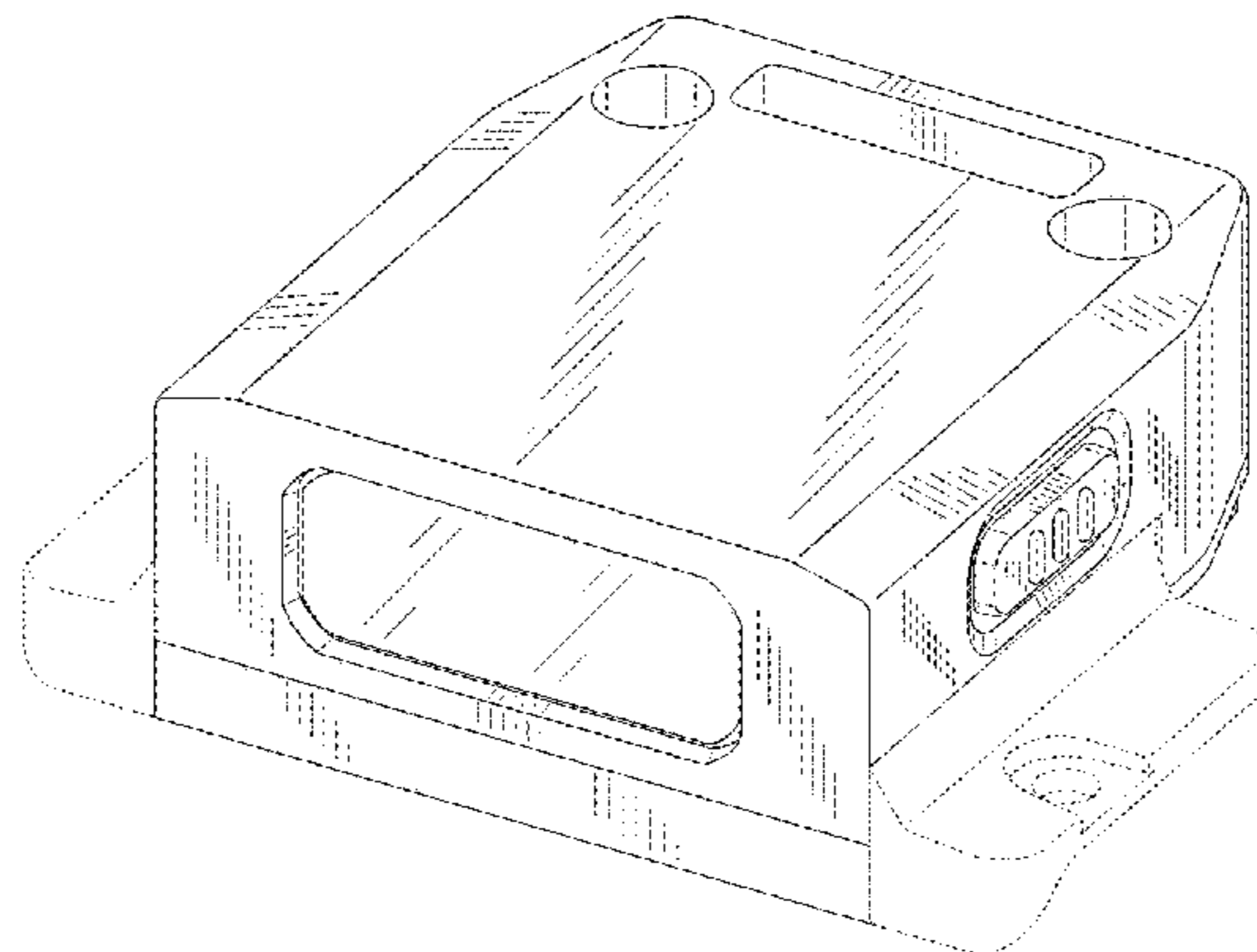
We claim the ornamental design for a barcode reader module, as shown and described.

DESCRIPTION

FIG. 1 is a front perspective view of a barcode reader module of the present invention;
FIG. 2 is a rear perspective view thereof;
FIG. 3 is a front view thereof;
FIG. 4 is a rear view thereof;
FIG. 5 is a side view thereof;
FIG. 6 is an opposite side view thereof;
FIG. 7 is a top view thereof; and,
FIG. 8 is a bottom view thereof.

The broken lines show parts of the frame unit for the barcode reader module that represent unclaimed subject matter and form no part of the claimed design. Additionally, the unevenly broken lines in the drawings define the limits of the claimed design.

1 Claim, 8 Drawing Sheets



(58) **Field of Classification Search**

CPC 7/0004; G06K 7/1495; G06K 7/00; G06K 7/0047; G06K 7/0013; G06K 7/0017; G06K 7/0021; G06K 7/04; G06K 7/1404; G06K 7/1447; G06K 7/10623; G06K 7/10683; G06K 19/06046; G06K 17/00; G06K 17/0022; G06K 17/0025; G06K 17/0029; G06K 9/22; G06K 9/24; G06K 9/228; G06K 19/00; G06K 19/005; G06K 19/041; G06K 19/07733; G06K 19/07737; G06K 19/07739; G06K 19/07741; A47F 9/046; A47F 9/047; G07G 1/0045; G04N 5/23238; G04N 5/2252; G04N 5/2251; G03B 17/02; B25H 5/00; B66F 7/28; G02B 26/10; G02B 26/106; G07F 11/002; G07F 11/02; G06Q 20/343; G06F 2203/0331; G01V 8/10; G01V 8/26; G01S 7/493; G01S 7/497; G01S 17/026; G01S 17/48; G03H 1/2205; G03H 2210/53; H04N 1/00204; H04N 1/32561; H04N 1/00206; H04N 1/00236; H04N 1/00238; H04N 1/00241; H04N 1/00246; H04N 1/00251; H04N 1/00257; H04N 2201/0063; H01Q 1/22; H01Q 1/24

See application file for complete search history.

(56) **References Cited**

U.S. PATENT DOCUMENTS

D314,187 S * 1/1991 Richards D14/381
 6,085,975 A * 7/2000 Irvine G06K 17/00
 235/383

6,195,053 B1 * 2/2001 Kodukula G06K 7/0004
 235/462.47
 6,305,607 B1 * 10/2001 Katz G06K 7/10653
 235/462.45
 D453,514 S 2/2002 Elam et al.
 D462,688 S * 9/2002 Schieffers D14/420
 D709,888 S 7/2014 Kaminsky et al.
 D710,361 S 8/2014 Park et al.
 D800,120 S * 10/2017 Ciabattoni D14/420
 D808,391 S * 1/2018 Schooneveldt D14/426
 D825,567 S * 8/2018 Behrooznia D14/420
 10,262,177 B2 * 4/2019 Nagata G06K 7/10752
 10,268,853 B2 * 4/2019 Nagata G06K 7/1408
 D852,194 S * 6/2019 Ciabattoni D14/420
 2002/0040934 A1 * 4/2002 Itou G06K 7/10683
 235/462.43
 2007/0125864 A1 * 6/2007 Hayakawa G06K 7/10623
 235/462.43
 2009/0034024 A1 * 2/2009 Kim H04N 1/02815
 358/475
 2010/0065638 A1 * 3/2010 Kim G06K 7/10346
 235/440
 2010/0133344 A1 * 6/2010 Yamanouchi G06K 7/10702
 235/462.43
 2011/0017818 A1 * 1/2011 McGill G06K 19/06046
 235/375
 2012/0061462 A1 * 3/2012 Shadwell, Jr. ... G06K 19/06046
 235/375
 2012/0176655 A1 * 7/2012 Shirakura G03H 1/2205
 359/32
 2013/0013813 A1 * 1/2013 Lee G06F 1/1632
 710/5
 2016/0034736 A1 * 2/2016 Nagata G06K 7/1404
 235/454
 2016/0253536 A1 * 9/2016 Kubo G02B 26/105
 235/462.45

* cited by examiner

FIG. 1

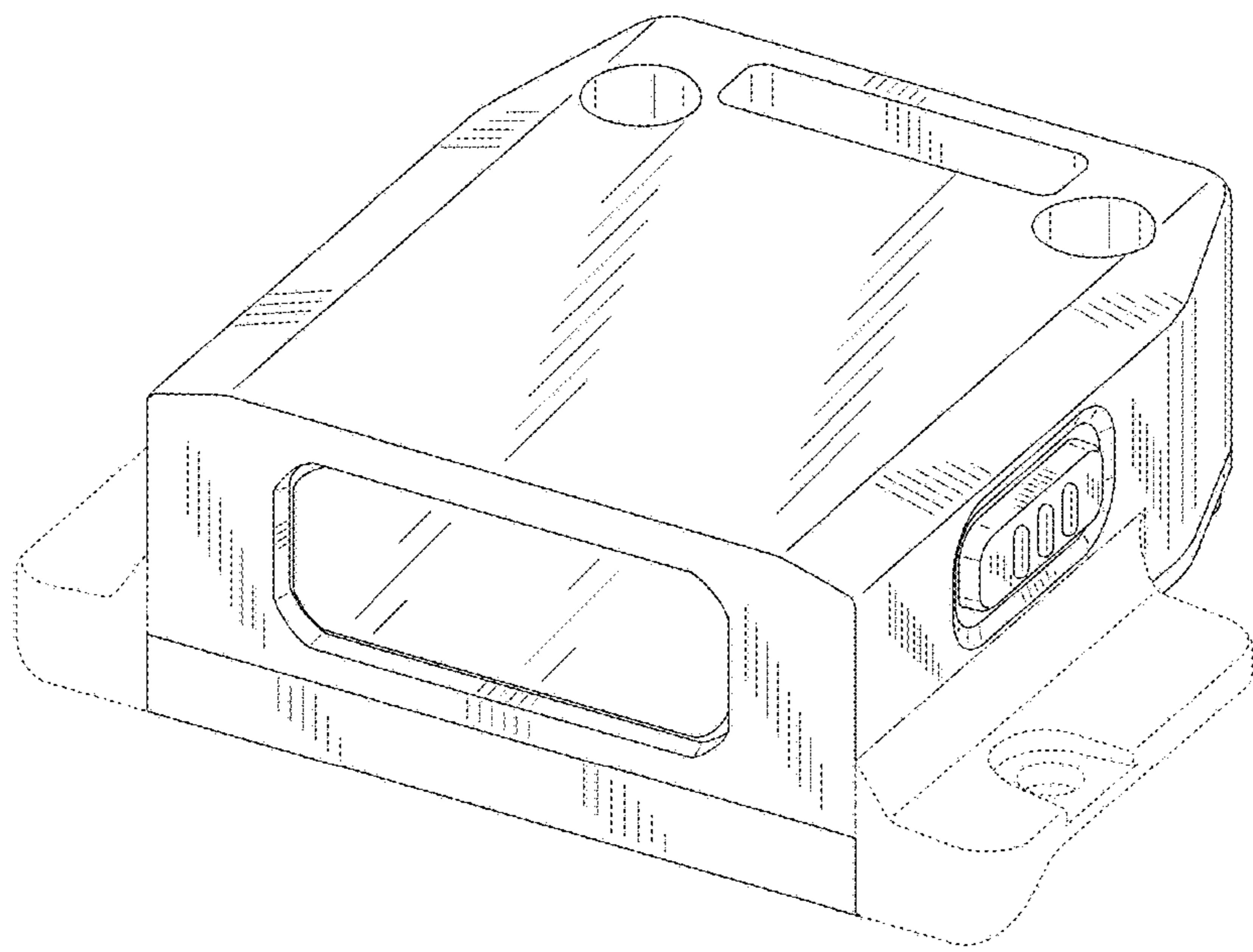


FIG. 2

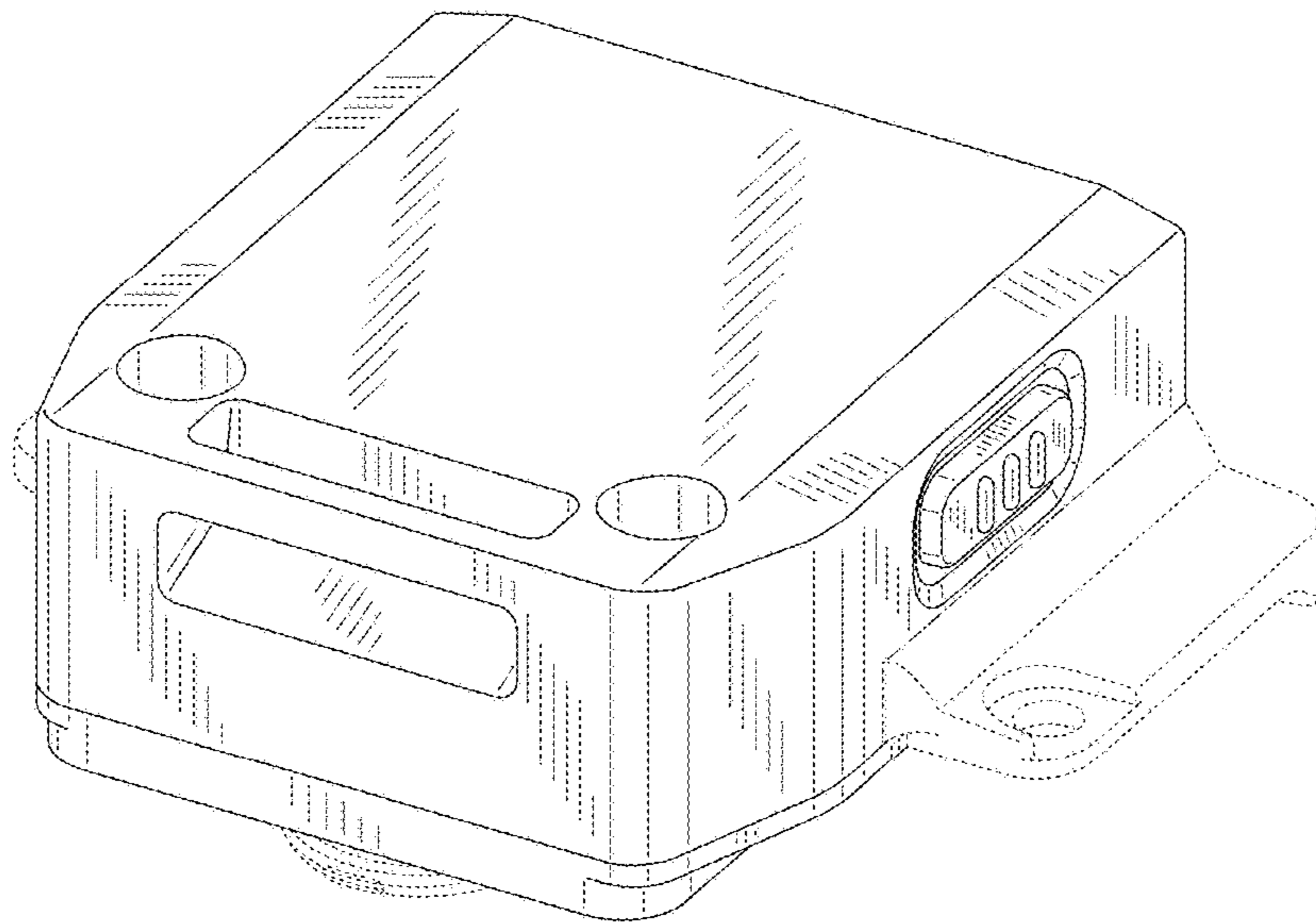


FIG. 3

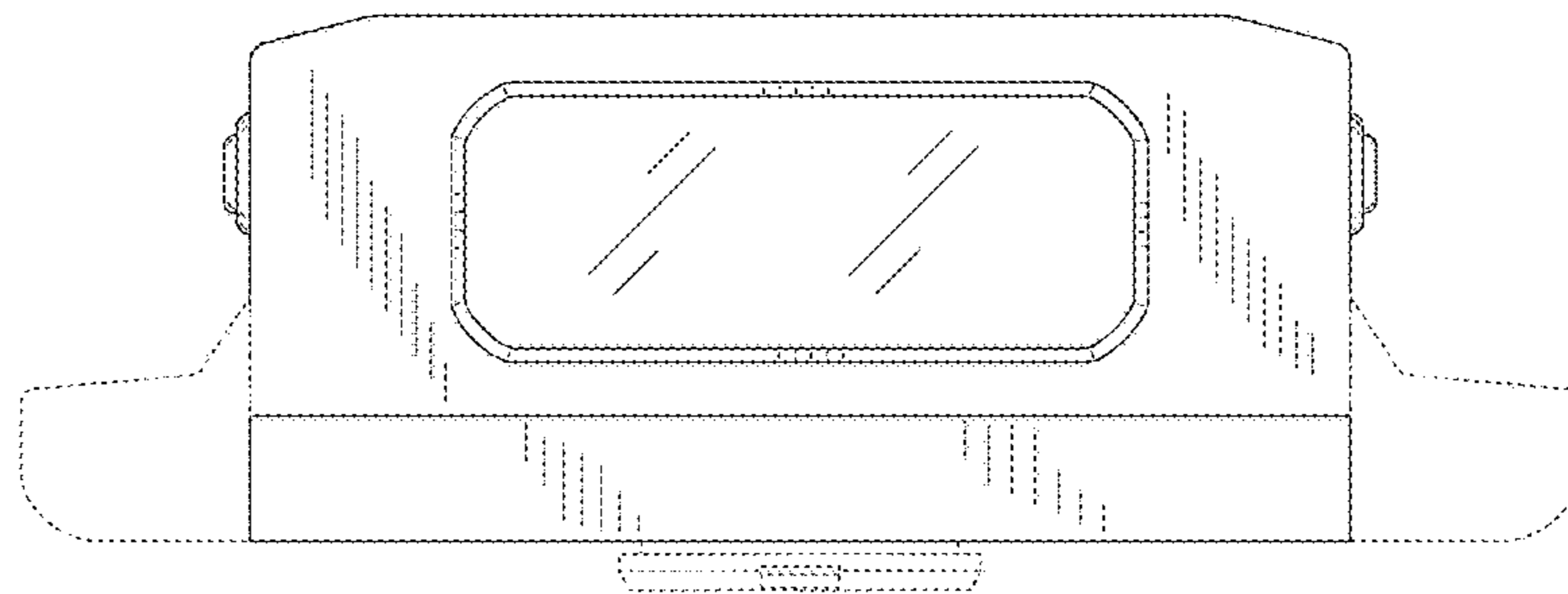


FIG. 4

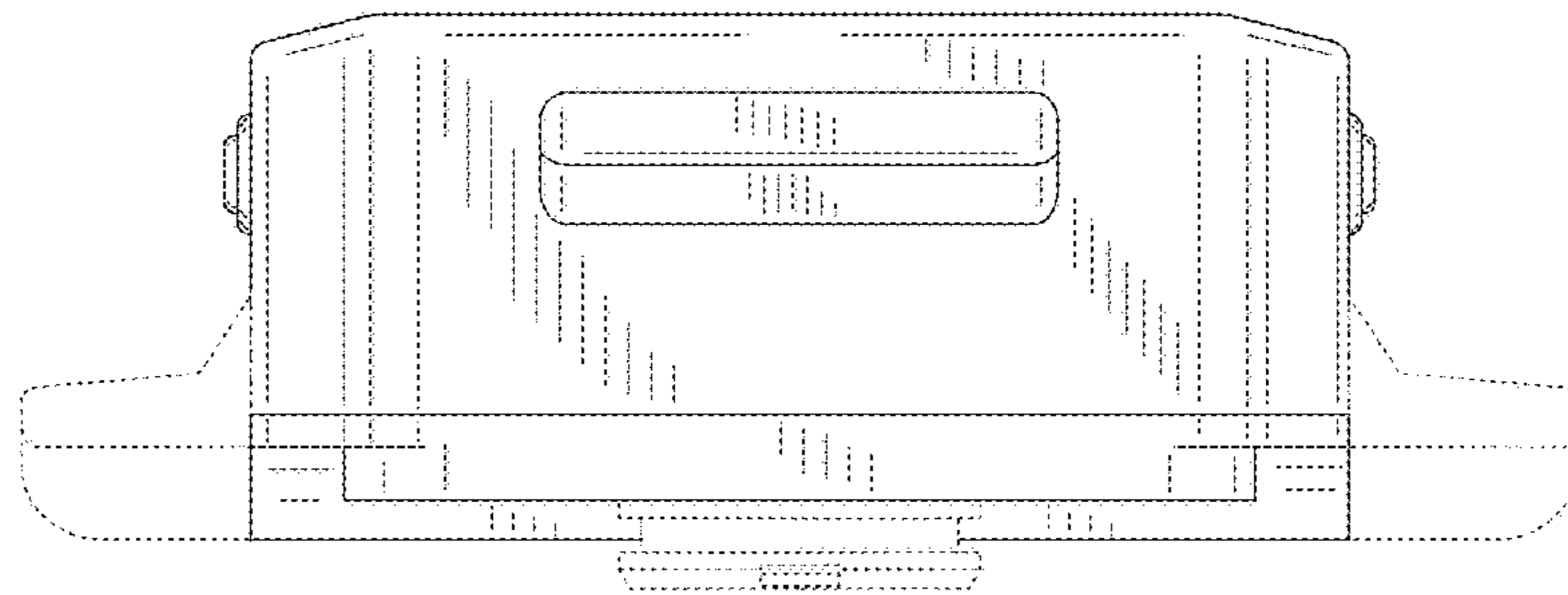


FIG. 5

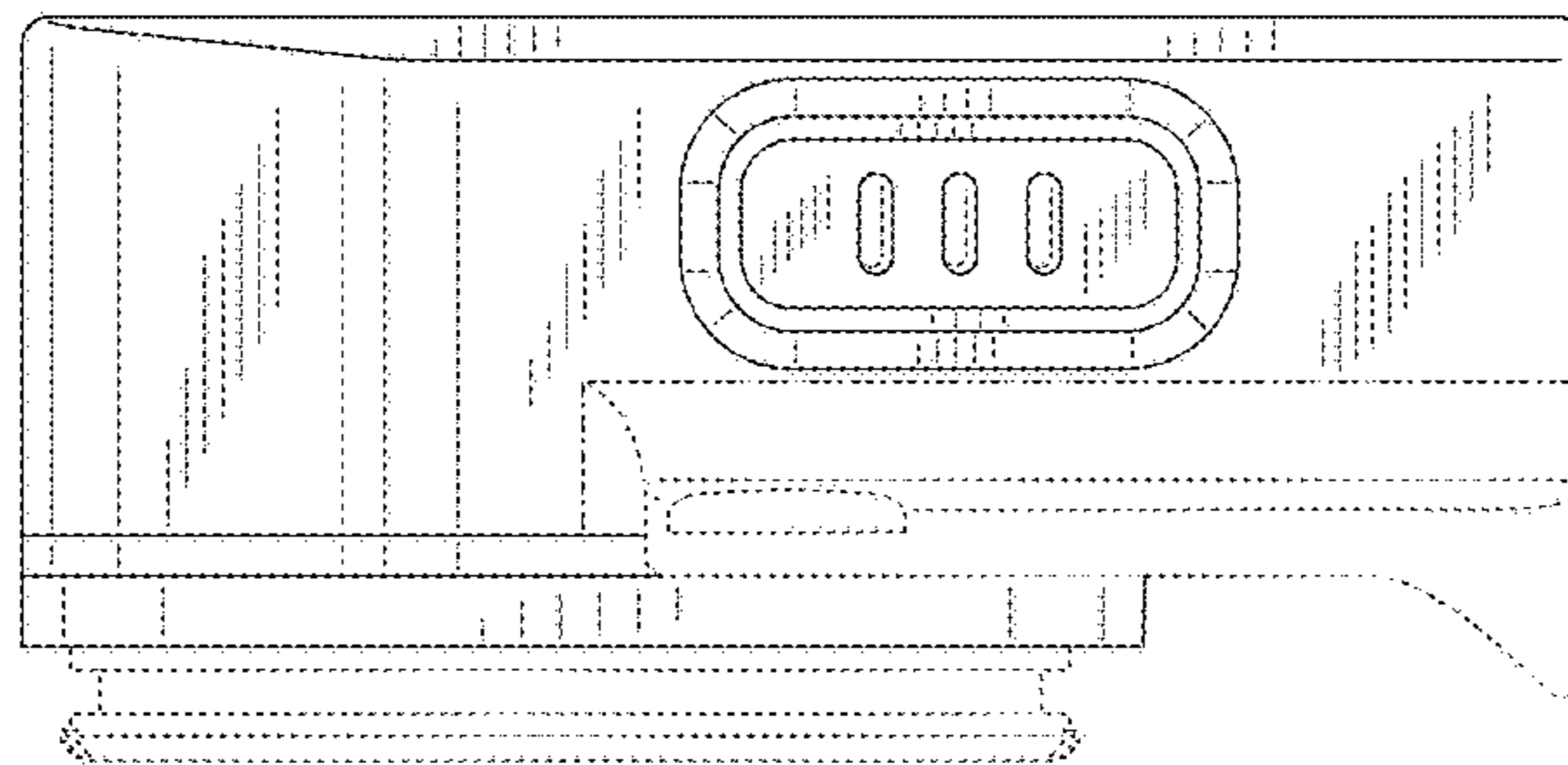


FIG. 6

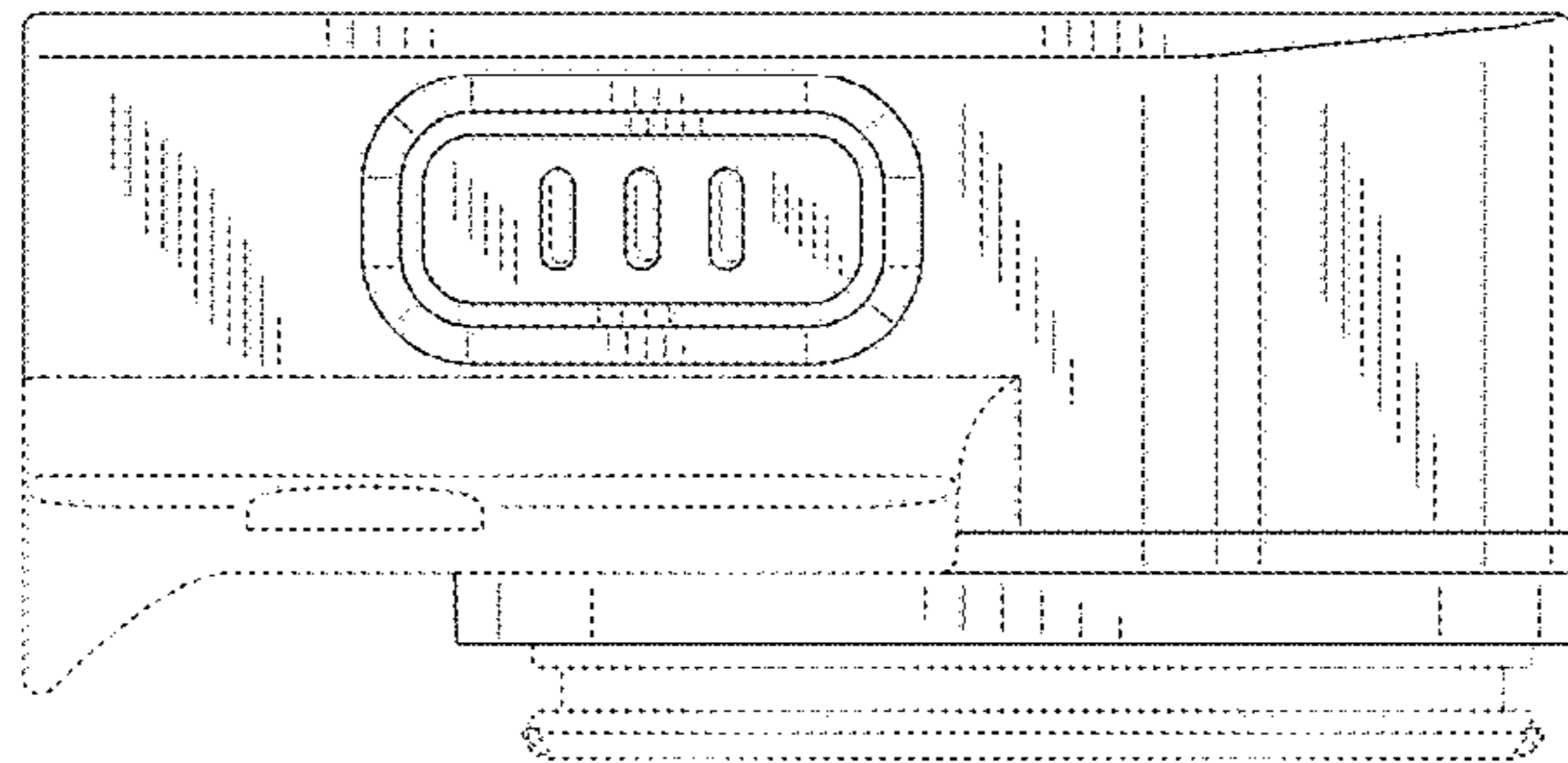


FIG. 7

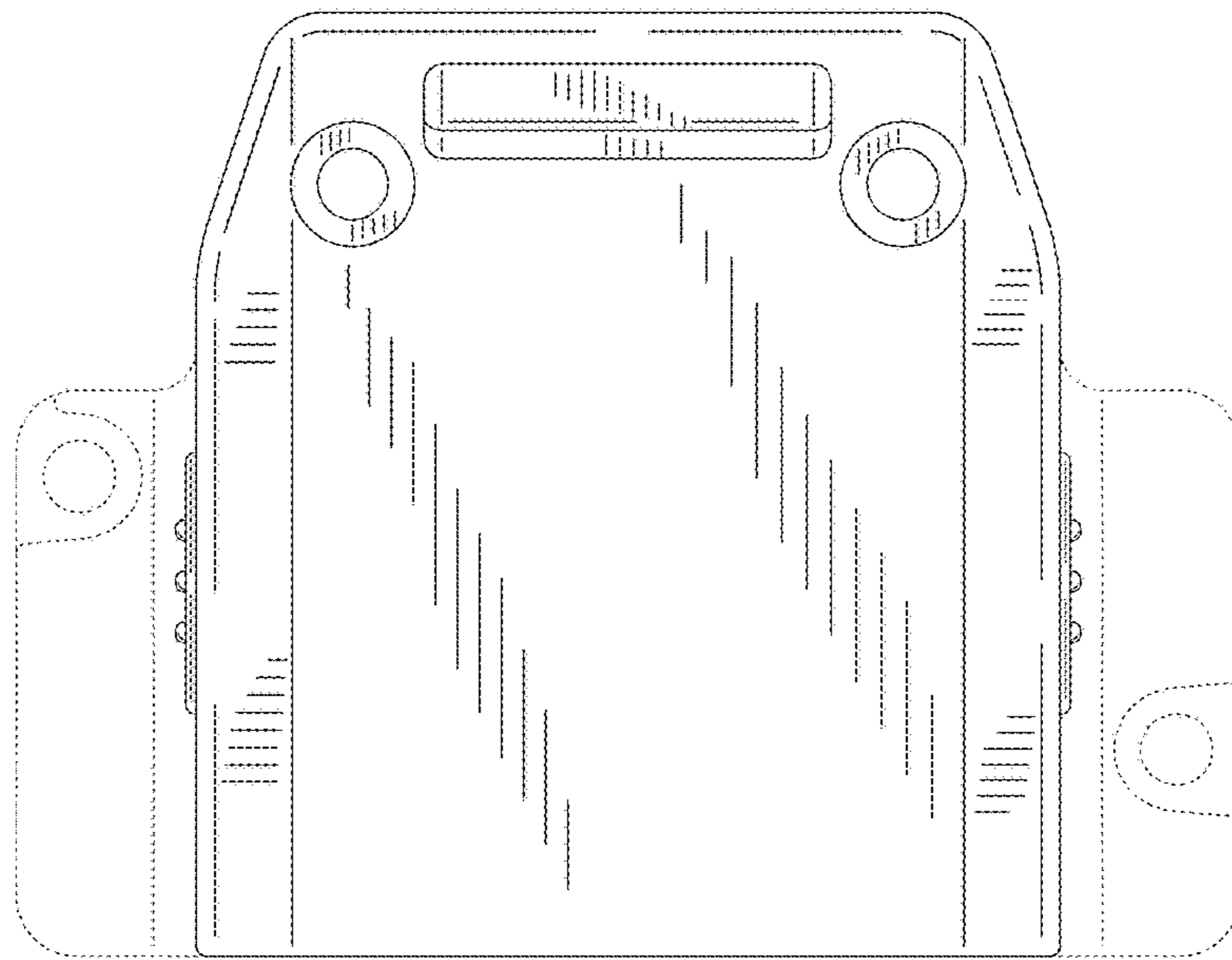


FIG. 8

