

US00D863303S

(12) **United States Design Patent** (10) **Patent No.:** **US D863,303 S**
Watanabe et al. (45) **Date of Patent:** **** Oct. 15, 2019**

(54) **BARCODE READER MODULE**

(71) Applicant: **Panasonic Intellectual Property Management Co., Ltd.**, Osaka-shi, Osaka (JP)

(72) Inventors: **Seiichi Watanabe**, Tokyo (JP); **Yasuyuki Tanaka**, Kanagawa (JP)

(73) Assignee: **Panasonic Intellectual Property Management Co., Ltd.**, Osaka (JP)

(**) Term: **15 Years**

(21) Appl. No.: **29/667,901**

(22) Filed: **Oct. 25, 2018**

(30) **Foreign Application Priority Data**

Apr. 26, 2018 (JP) 2018-009252

(51) **LOC (12) Cl.** **14-02**

(52) **U.S. Cl.**
USPC **D14/420**; D14/435; D14/453

(58) **Field of Classification Search**

USPC D14/420, 426-430, 453, 341, 435-438;
235/462.01, 462.11, 462.43, 462.45,
235/462.46, 462.47, 462.49, 472.01,
235/472.02, 472.03, 385, 454, 435,
235/439-441, 375, 444, 456, 459, 462.14,
235/462.15, 462.17, 462.2, 462.21, 490,
235/494, 476, 462.22, 462.32, 462.35,
235/462.44, 470; 382/313, 321, 318;
358/473; 250/215, 216, 566;
D26/37-50, 24; 362/157, 158, 171-174,
362/183-208; 396/427; D24/158;
D10/78-80; D16/202, 203, 208;
439/639-642; 361/679.01, 679.55,
361/679.02, 679.03, 679.4, 679.56, 728,
361/730, 734, 736, 737; 340/679;
359/32, 34

CPC G06K 7/10584; G06K 7/10613; G06K
7/10821; G06K 7/10881; G06K 7/109;
G06K 7/10693; G06K 7/10871; G06K

7/1096; G06K 7/10; G06K 7/10564;
G06K 7/10594; G06K 7/10603; G06K
7/10663; G06K 7/10673; G06K 7/10702;
G06K 7/10792; G06K 7/10633; G06K
7/10653; G06K 7/10891; G06K 7/14;
G06K 7/1443; G06K 7/10801; G06K
7/10811; G06K 7/10851; G06K 7/10861;
G06K 2207/1011; G06K 2207/1012;
G06K 2207/1013; G06K 2207/1016;
G06K 2207/1017; G06K 2207/1018;
G06K 2207/10534; G06K

(Continued)

(56) **References Cited**

U.S. PATENT DOCUMENTS

D295,413 S * 4/1988 Nakamura D14/420
D312,046 S * 11/1990 Ruehlemann D10/70

(Continued)

Primary Examiner — Susan Moon Lee

(74) *Attorney, Agent, or Firm* — Brinks Gilson & Lione

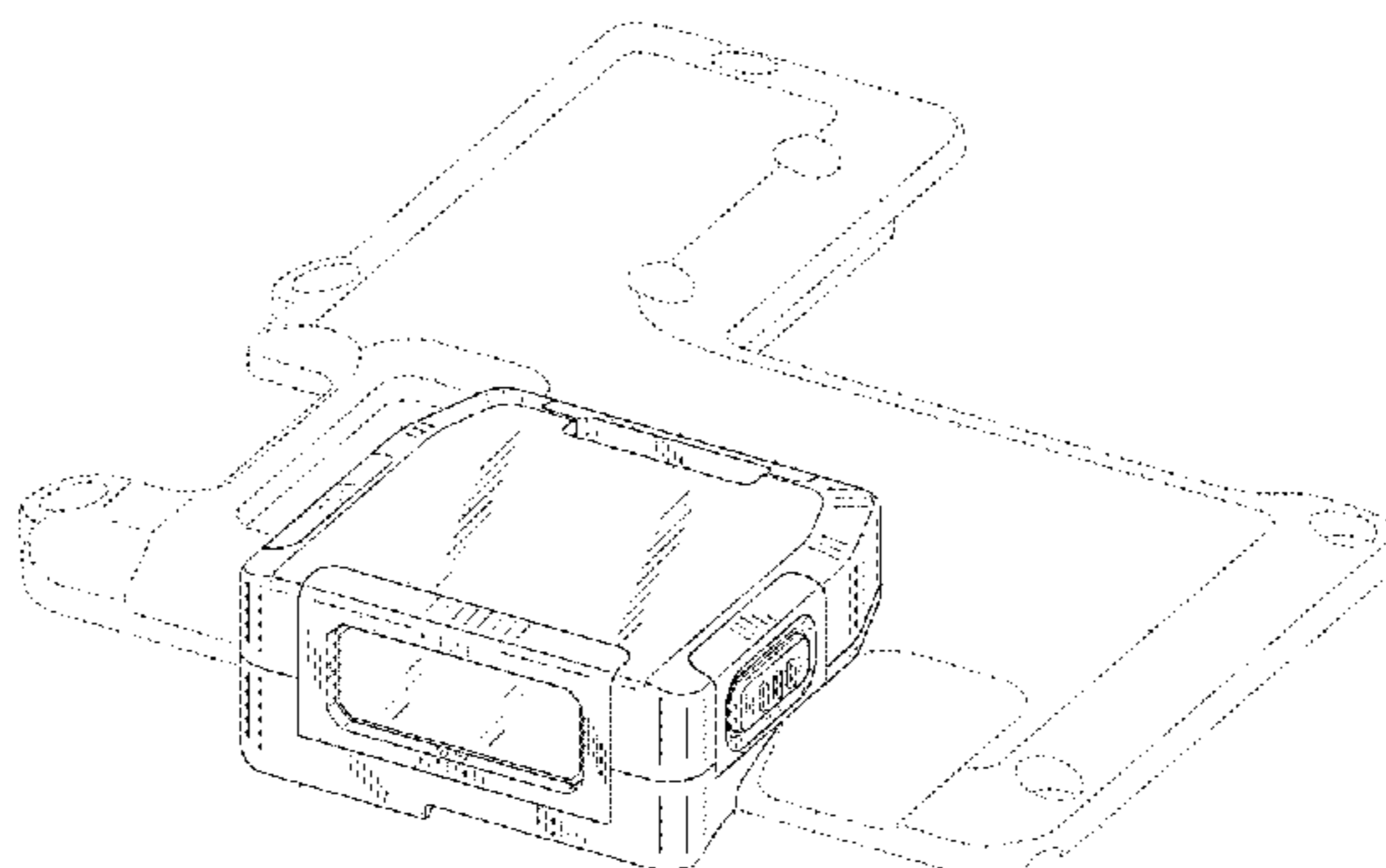
(57) **CLAIM**

We claim the ornamental design for a barcode reader module, as shown and described.

DESCRIPTION

FIG. 1 is a front perspective view of a barcode reader module of the present invention;
FIG. 2 is a rear perspective view thereof;
FIG. 3 is a front view thereof;
FIG. 4 is a rear view thereof;
FIG. 5 is a side view thereof;
FIG. 6 is an opposite side view thereof;
FIG. 7 is a top view thereof; and,
FIG. 8 is a bottom view thereof.
The broken lines show parts of the frame unit for the barcode reader module that represent unclaimed subject matter and form no part of the claimed design.

1 Claim, 8 Drawing Sheets



(58) **Field of Classification Search**

CPC 17/0022; G06K 17/00; G06K 7/00; G06K 7/0047; G06K 7/0013; G06K 7/0017; G06K 7/0021; G06K 7/04; G06K 7/1404; G06K 7/1447; G06K 7/10623; G06K 7/10683; G06K 7/0004; G06K 7/1495; G06K 19/06046; G06K 17/0025; G06K 17/0029; G06K 9/22; G06K 9/24; G06K 9/228; G06K 19/00; G06K 19/005; G06K 19/041; G06K 19/07733; G06K 19/07737; G06K 19/07739; G06K 19/07741; A47F 9/046; A47F 9/047; G07G 1/0045; G04N 5/23238; G04N 5/2252; G04N 5/2251; G03B 17/02; B25H 5/00; B66F 7/28; G02B 26/10; G02B 26/106; G07F 11/002; G07F 11/02; G06Q 20/343; G06F 2203/0331; G01V 8/10; G01V 8/26; G01S 7/493; G01S 7/497; G01S 17/026; G01S 17/48; G03H 1/2205; G03H 2210/53; H01Q 1/22; H01Q 1/24; H04N 2201/0063; H04N 1/00204; H04N 1/32561; H04N 1/00206; H04N 1/00236; H04N 1/00238; H04N 1/00241; H04N 1/00246; H04N 1/00251; H04N 1/00257

See application file for complete search history.

(56) **References Cited**

U.S. PATENT DOCUMENTS

D314,187 S * 1/1991 Richards D14/381
 6,085,975 A * 7/2000 Irvine G06K 17/00
 235/383

6,195,053 B1 * 2/2001 Kodukula G06K 7/0004
 235/462.47
 6,305,607 B1 * 10/2001 Katz G06K 7/10653
 235/462.45
 D453,514 S 2/2002 Elam et al.
 D462,688 S * 9/2002 Schieffers D14/420
 D709,888 S 7/2014 Kaminsky et al.
 D710,361 S 8/2014 Park et al.
 D800,120 S * 10/2017 Ciabattoni D14/420
 D808,391 S * 1/2018 Schooneveldt D14/426
 D825,567 S * 8/2018 Behrooznia D14/420
 10,262,177 B2 * 4/2019 Nagata G06K 7/10752
 10,268,853 B2 * 4/2019 Nagata G06K 7/1408
 D852,194 S * 6/2019 Ciabattoni D14/420
 2002/0040934 A1 * 4/2002 Itou G06K 7/10683
 235/462.43
 2007/0125864 A1 * 6/2007 Hayakawa G06K 7/10623
 235/462.43
 2009/0034024 A1 * 2/2009 Kim H04N 1/02815
 358/475
 2010/0065638 A1 * 3/2010 Kim G06K 7/10346
 235/440
 2010/0133344 A1 * 6/2010 Yamanouchi G06K 7/10702
 235/462.43
 2011/0017818 A1 * 1/2011 McGill G06K 19/06046
 235/375
 2012/0061462 A1 * 3/2012 Shadwell, Jr. ... G06K 19/06046
 235/375
 2012/0176655 A1 * 7/2012 Shirakura G03H 1/2205
 359/32
 2013/0013813 A1 * 1/2013 Lee G06F 1/1632
 710/5
 2016/0034736 A1 * 2/2016 Nagata G06K 7/1404
 235/454
 2016/0253536 A1 * 9/2016 Kubo G02B 26/105
 235/462.45

* cited by examiner

FIG. 1

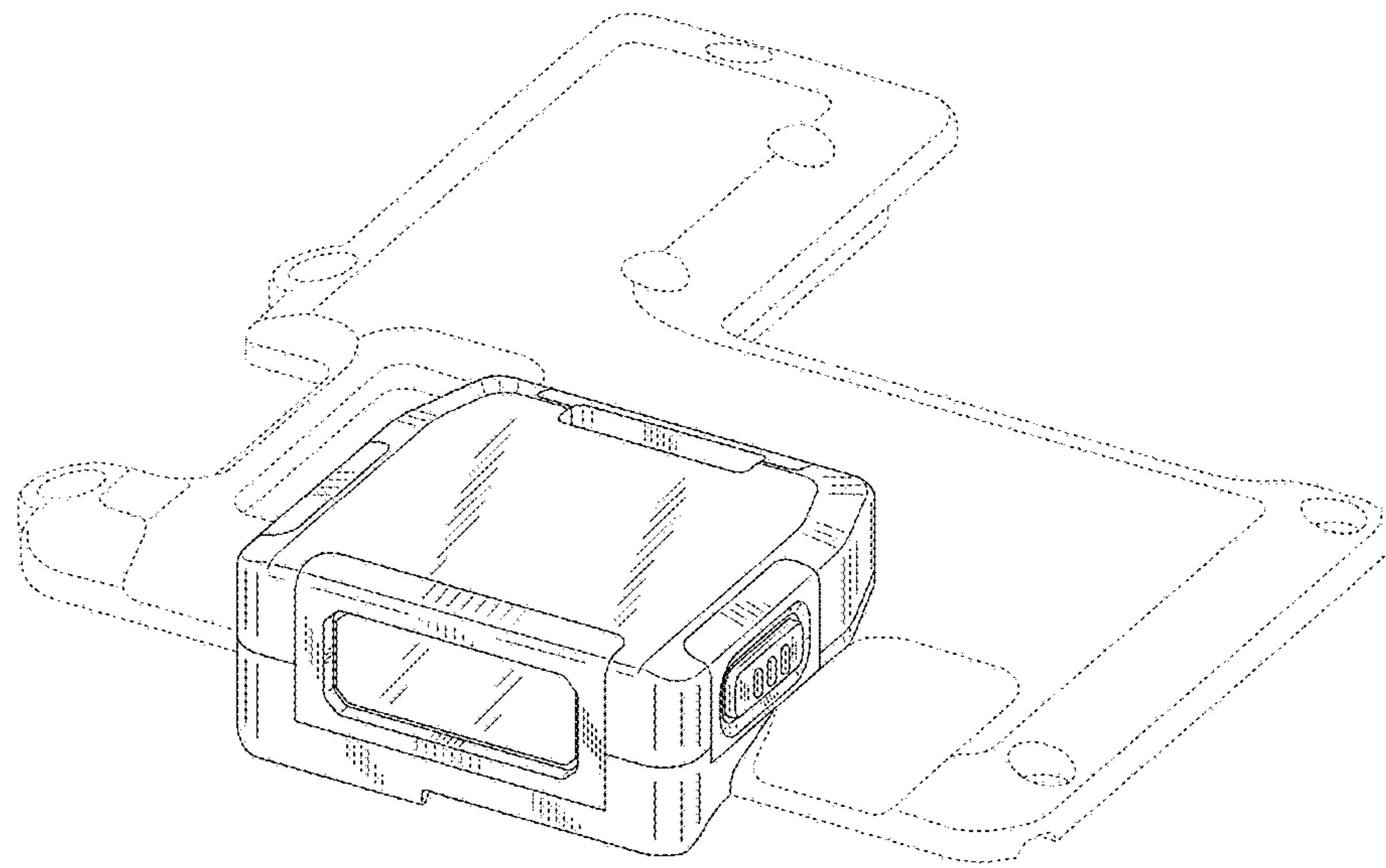


FIG. 2

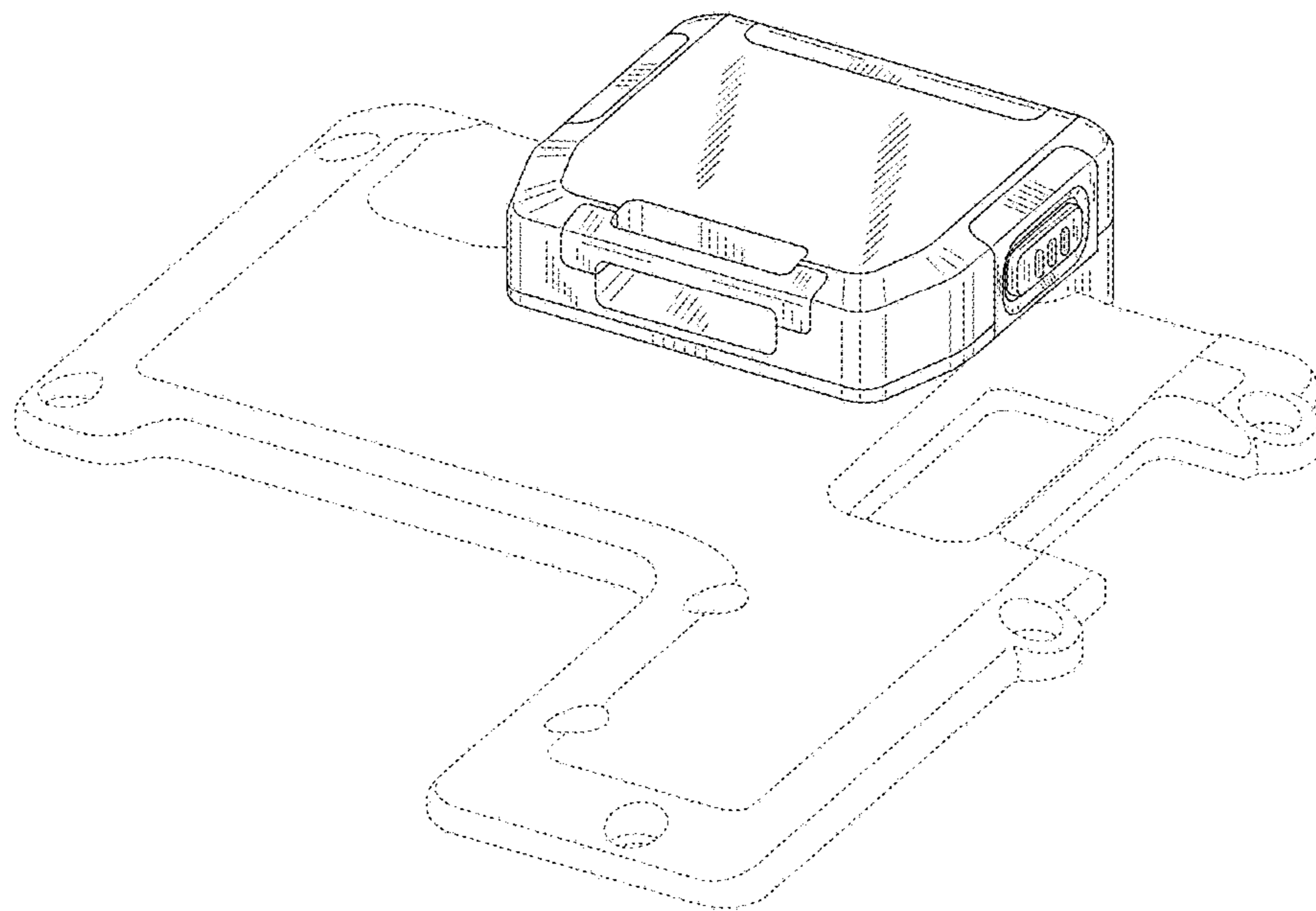


FIG. 3

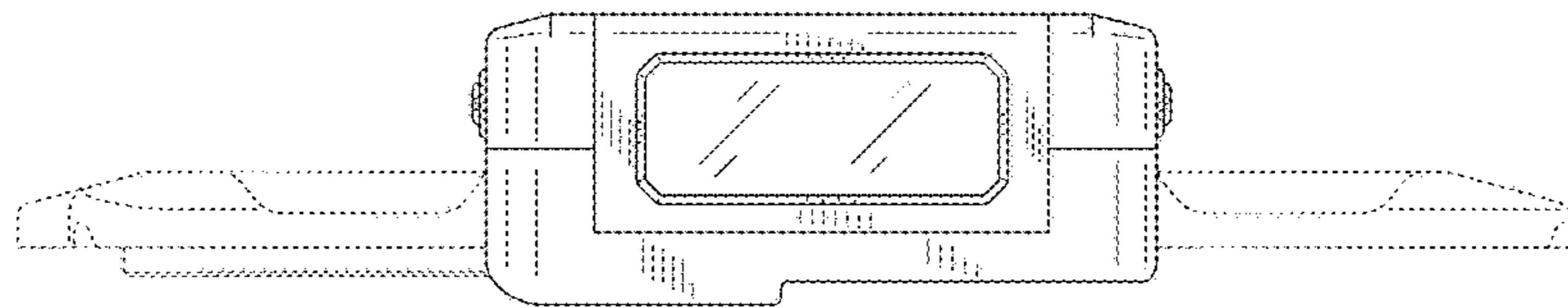


FIG. 4

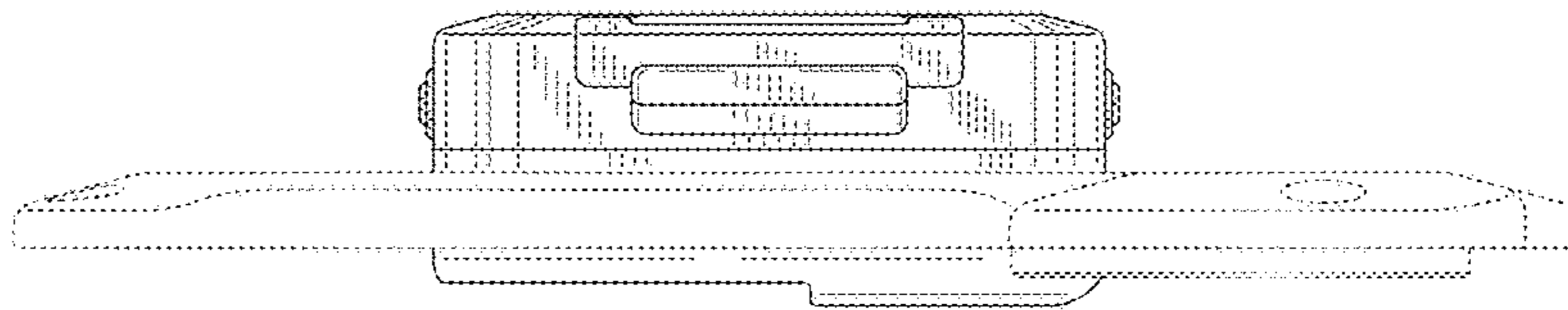


FIG. 5

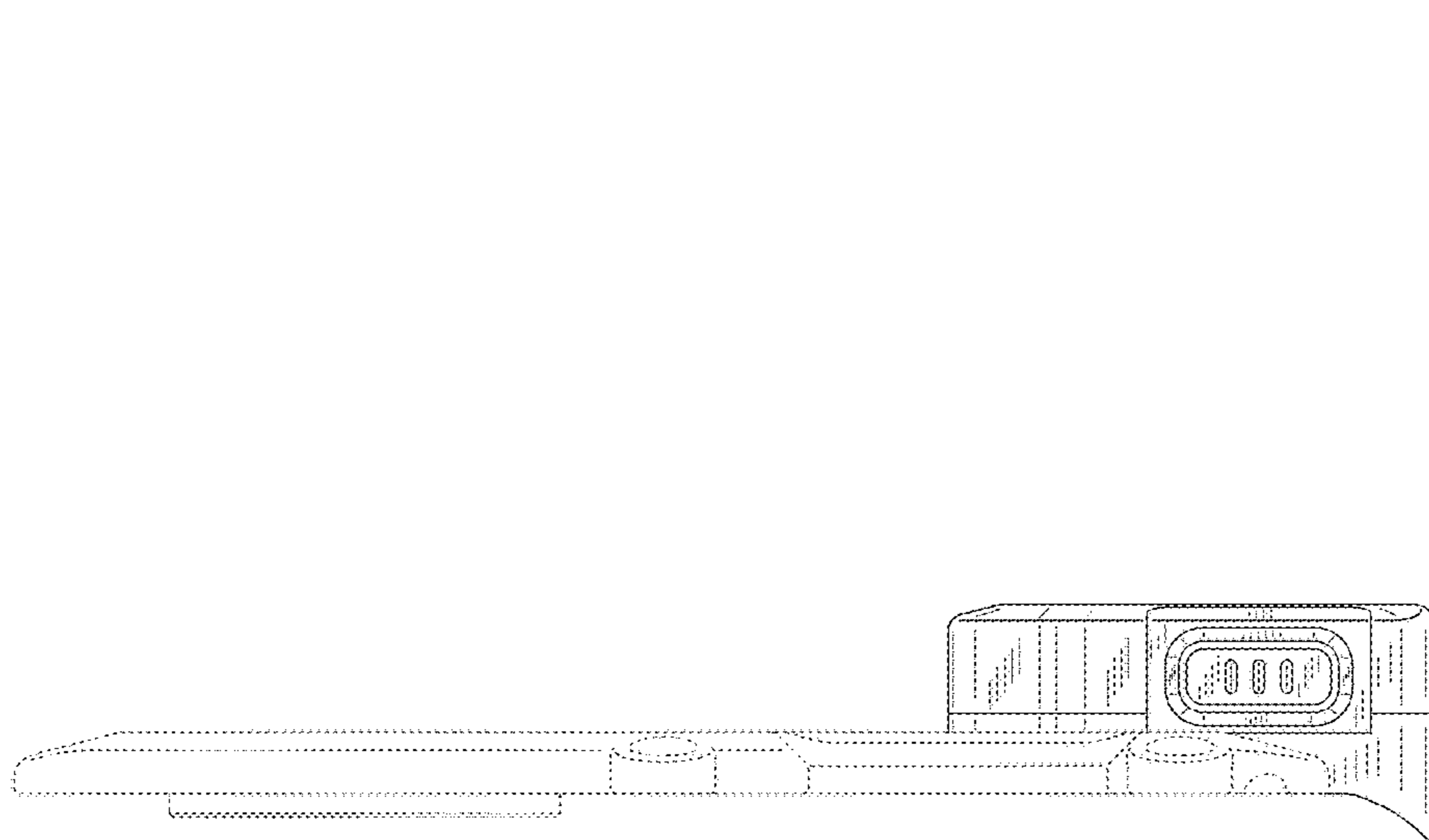


FIG. 6



FIG. 7

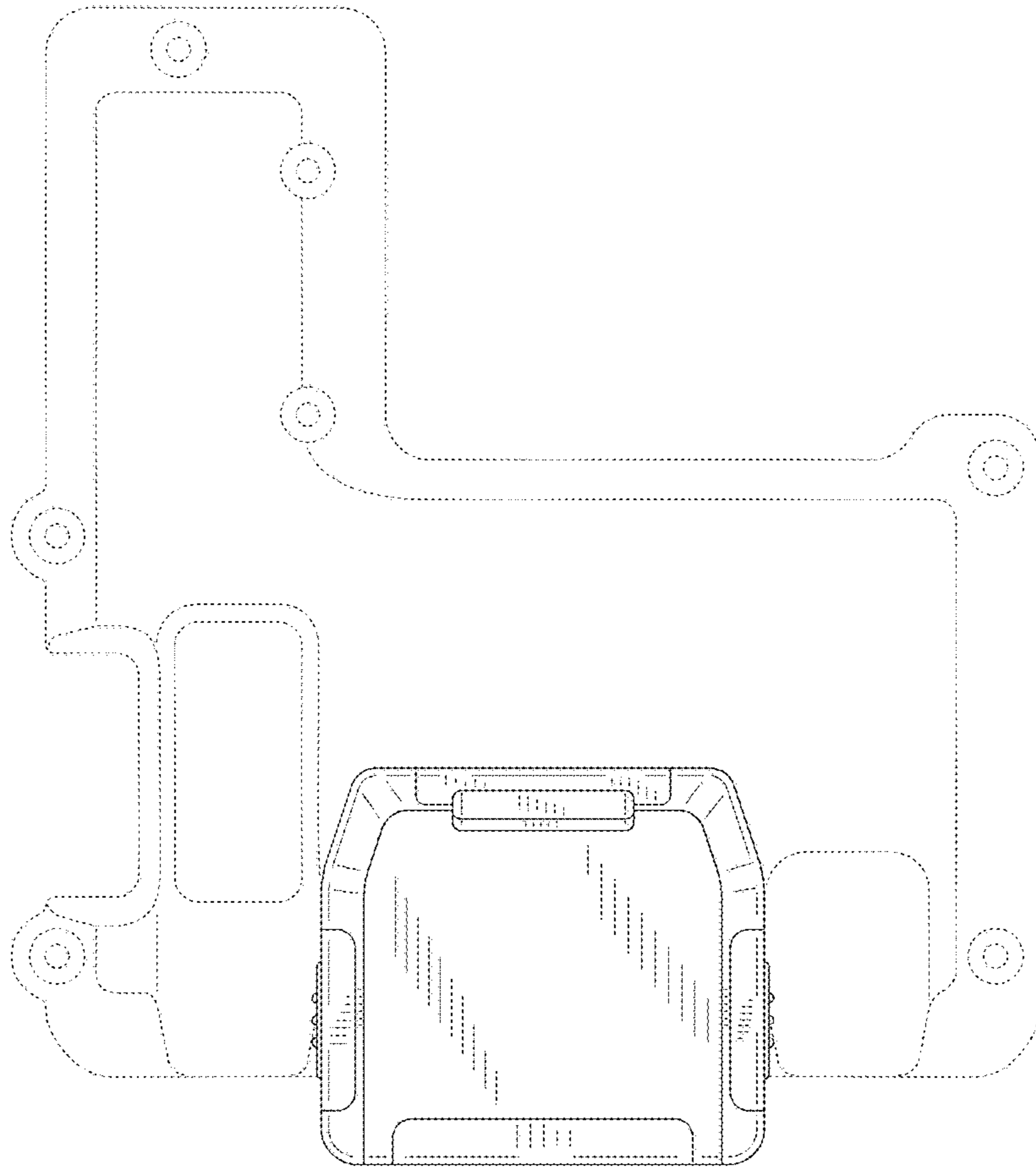


FIG. 8

