



US00D863302S

(12) **United States Design Patent** (10) **Patent No.:** **US D863,302 S**
Cheung et al. (45) **Date of Patent:** **** Oct. 15, 2019**

- (54) **MOUSE PERIPHERAL**
- (71) Applicant: **Dell Products L.P.**, Round Rock, TX (US)
- (72) Inventors: **Victor ChakMing Cheung**, Singapore (SG); **Chao-Long Chou**, New Taipei (TW)
- (73) Assignee: **Dell Products L.P.**, Round Rock, TX (US)
- (**) Term: **15 Years**
- (21) Appl. No.: **29/647,257**
- (22) Filed: **May 11, 2018**
- (51) **LOC (12) Cl.** **14-02**
- (52) **U.S. Cl.**
USPC **D14/408**
- (58) **Field of Classification Search**
USPC D14/402–411, 356, 388, 389, 383–385, D14/417, 426; 345/156–167; 463/36–38; 358/471, 473; 273/148 B
CPC G06F 3/03543; G06F 2203/0333; G06F 3/039; G06F 3/038; G06F 2203/0384
See application file for complete search history.

(56) **References Cited**

U.S. PATENT DOCUMENTS

D689,494 S *	9/2013	Widiaman	D14/408
D716,812 S	11/2014	Lim		
D724,590 S *	3/2015	Hwang	D14/408
D725,111 S *	3/2015	Jeong	D14/408
D737,274 S *	8/2015	Kuo	D14/408
D738,884 S *	9/2015	Zheng	D14/408
D766,243 S *	9/2016	Andre	D14/408
D798,865 S *	10/2017	Cheung	D14/408
D807,359 S *	1/2018	Jeong	D14/408

D820,845 S *	6/2018	Jones	D14/407
D821,399 S *	6/2018	Jones	D14/402
D831,651 S *	10/2018	Bao	D14/408
D833,435 S *	11/2018	Andre	D14/408

OTHER PUBLICATIONS

Dell, “Dell Wireless Mouse—WM326,” downloaded from https://www.dell.com/en-us-shop/accessories/apd/570-aans?cid=308990&st=&gclid=CjwKCAjw7cDaBRBtEiwAsxprXUH-v326GpXmcmrXGpTYqap9UiSbRZi-TDV3zzR2Y82bX7GHHcxLhoCHjIQAvD_BwE&lid=5841086&VEN1=sFJa831A8,51918710868,901pdb6671,c.,,570-AANS&VEN2=,&dgce=st&dgseg=dhs&acd=1230980731501410&VEN3=42385826037246317, Jul. 20, 2018, 3 pages.

* cited by examiner

Primary Examiner — Austin Murphy
 (74) *Attorney, Agent, or Firm* — Zagorin Cave LLP;
 Robert W. Holland

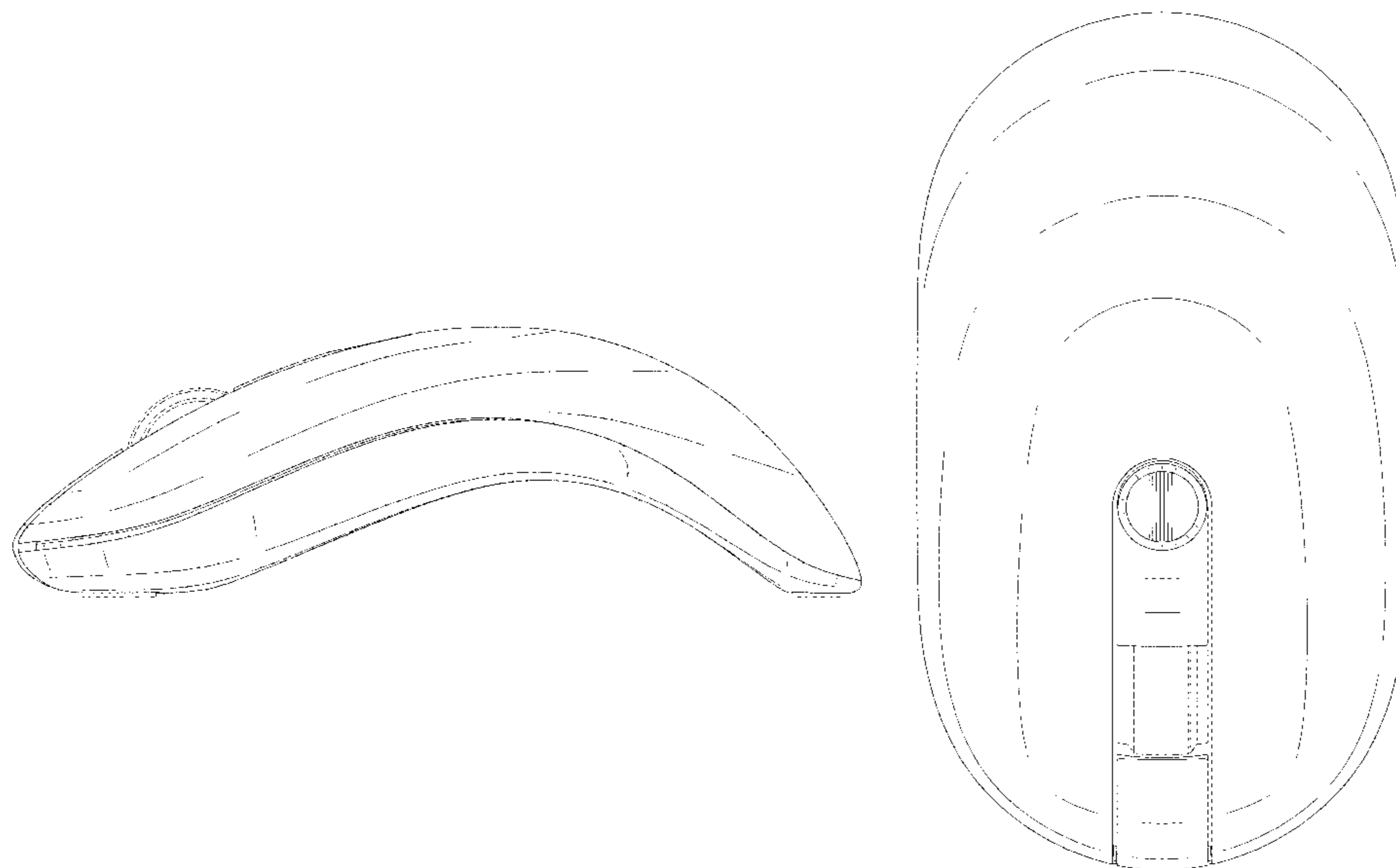
(57) **CLAIM**

We claim the ornamental design for a mouse peripheral, as shown and described.

DESCRIPTION

FIG. 1 is a front perspective view of the mouse peripheral comprising the present invention;
 FIG. 2 is a front elevation view thereof;
 FIG. 3 is a rear elevation view thereof;
 FIG. 4 is a right side view thereof;
 FIG. 5 is a left side view thereof;
 FIG. 6 is a top view thereof;
 FIG. 7 is a bottom view thereof; and,
 FIG. 8 is a bottom perspective view thereof.
 Broken lines shown in the drawings illustrate portions of the ornamental mouse peripheral, and form no part of the claimed design.

1 Claim, 7 Drawing Sheets



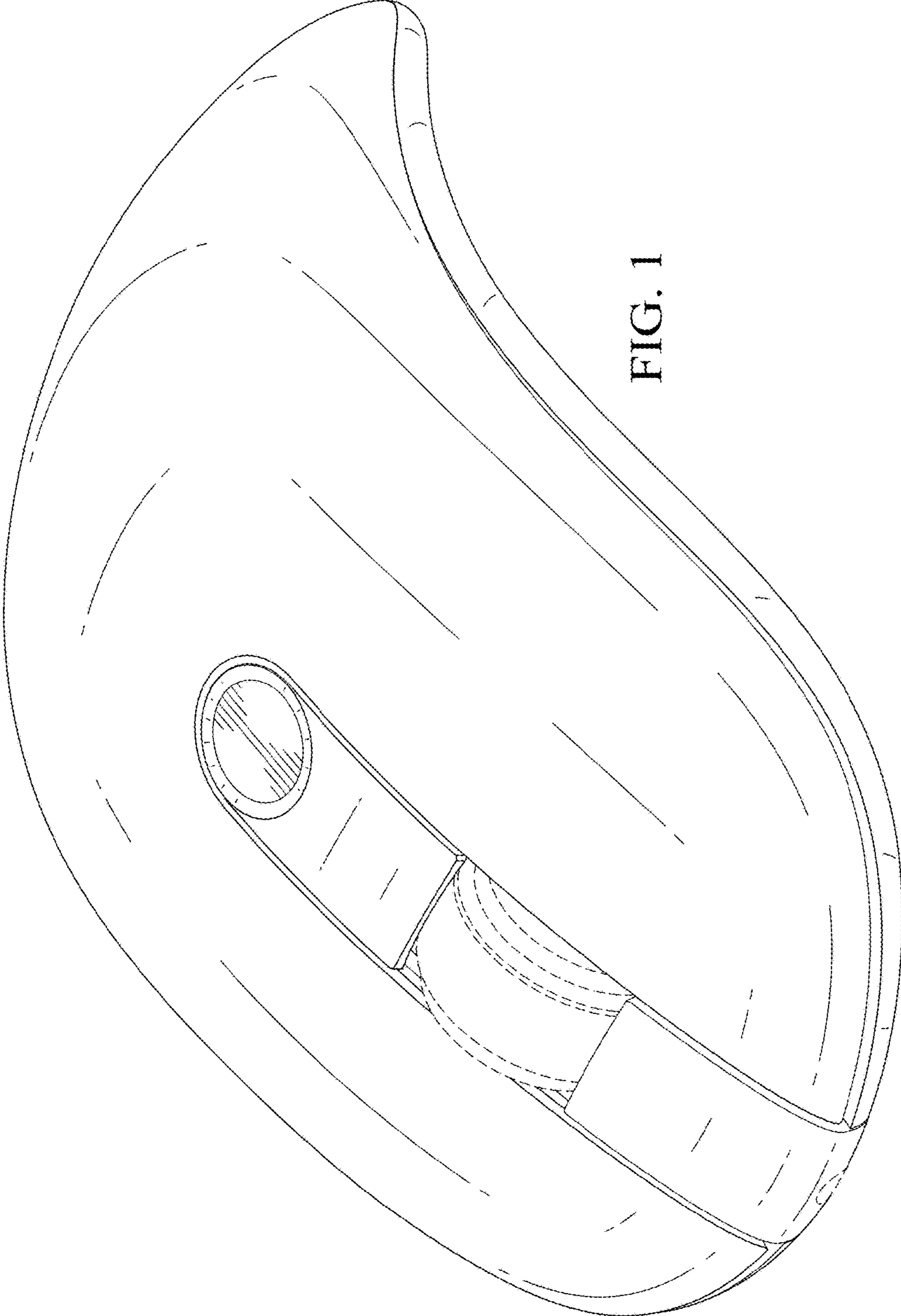


FIG. 1

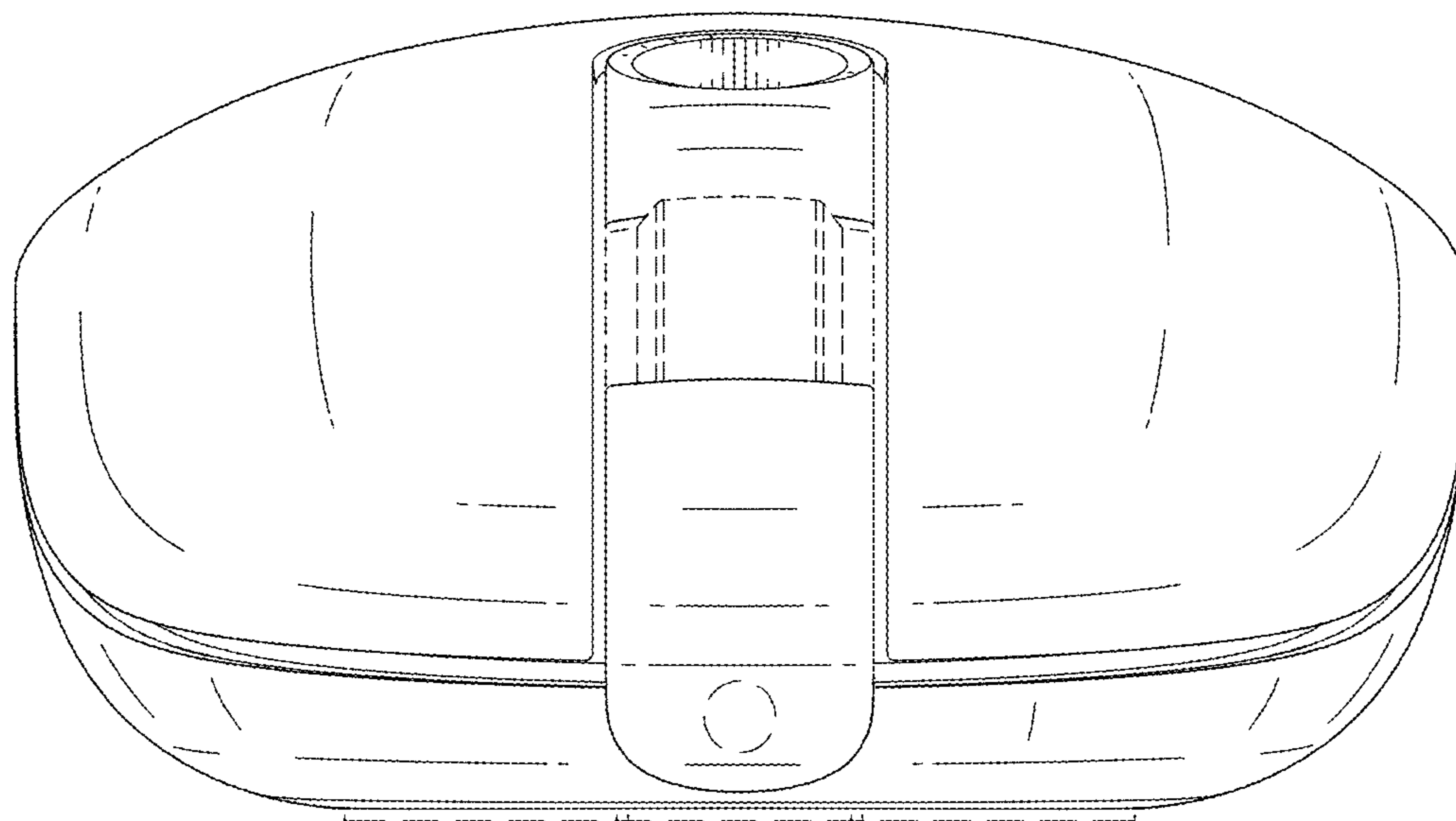


FIG. 2

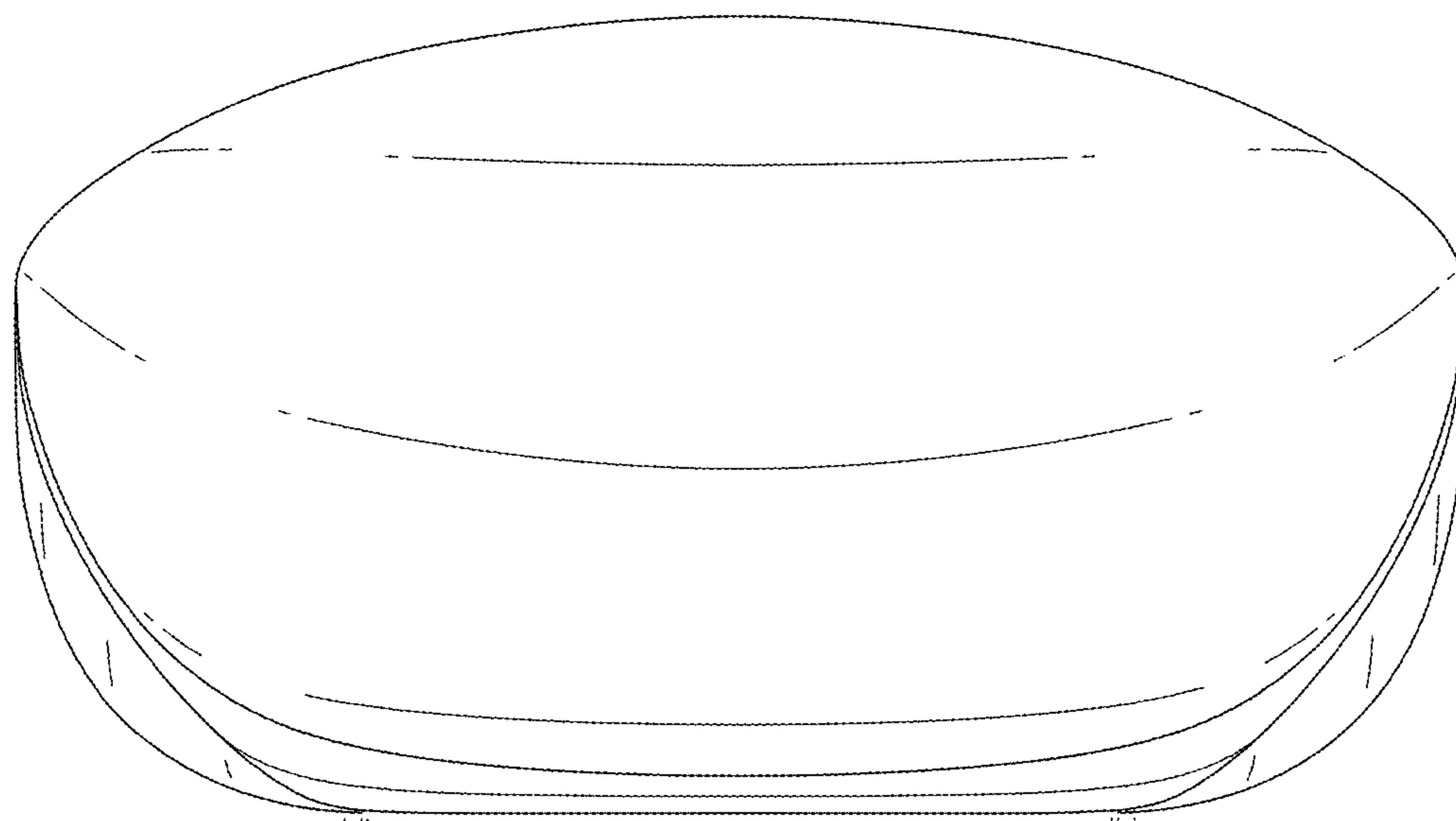


FIG. 3



FIG. 4



FIG. 5

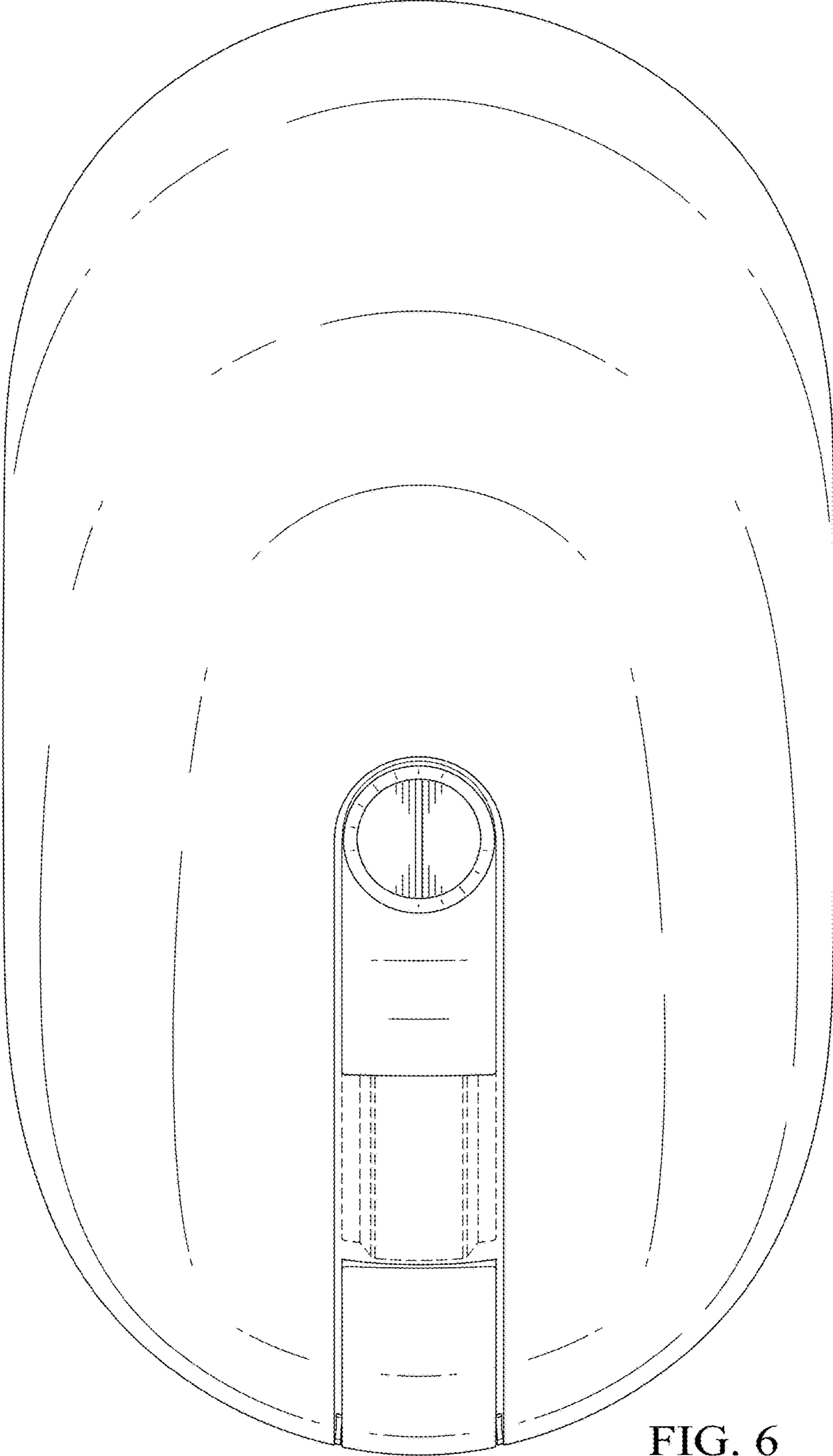


FIG. 6

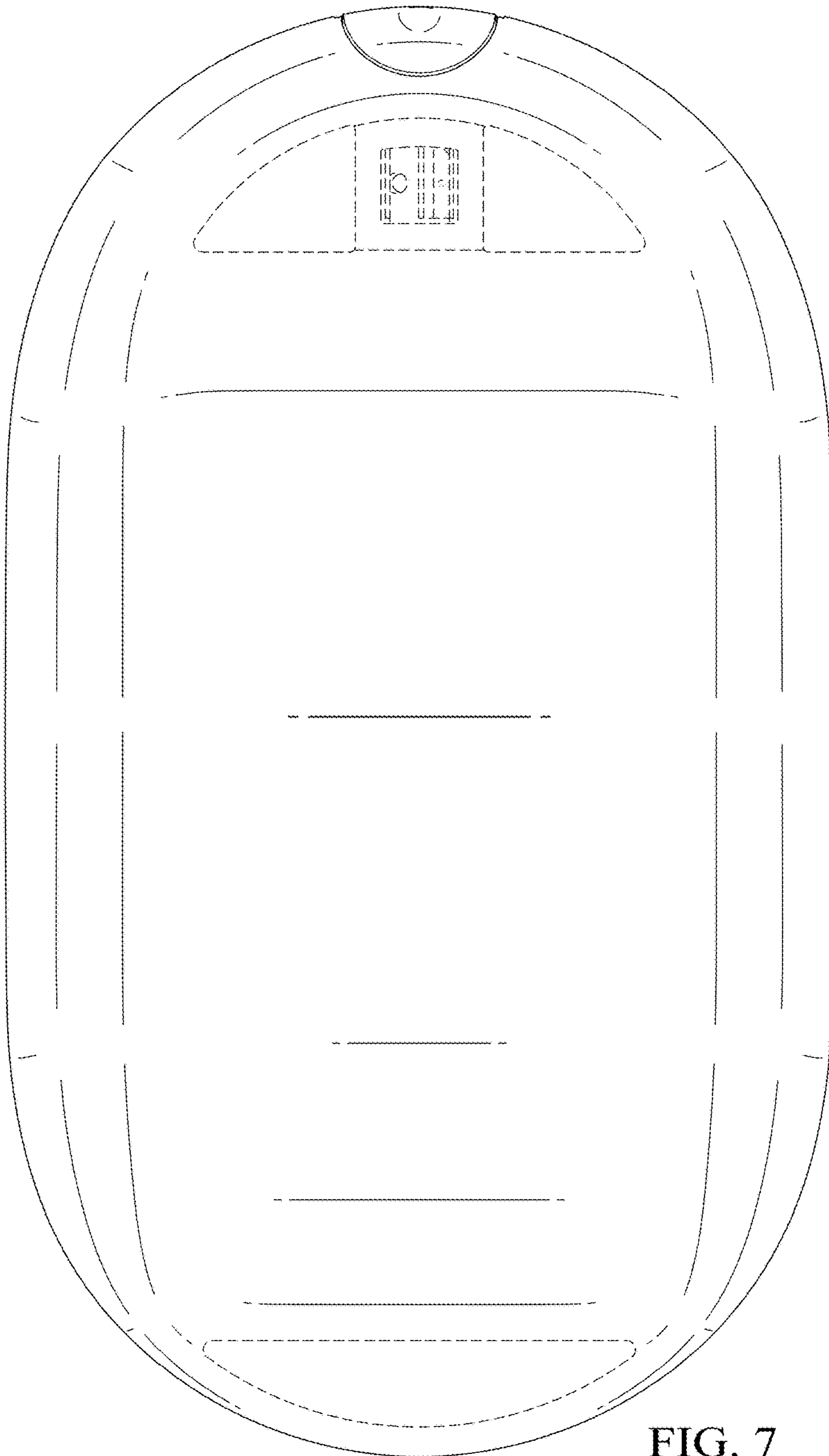


FIG. 7

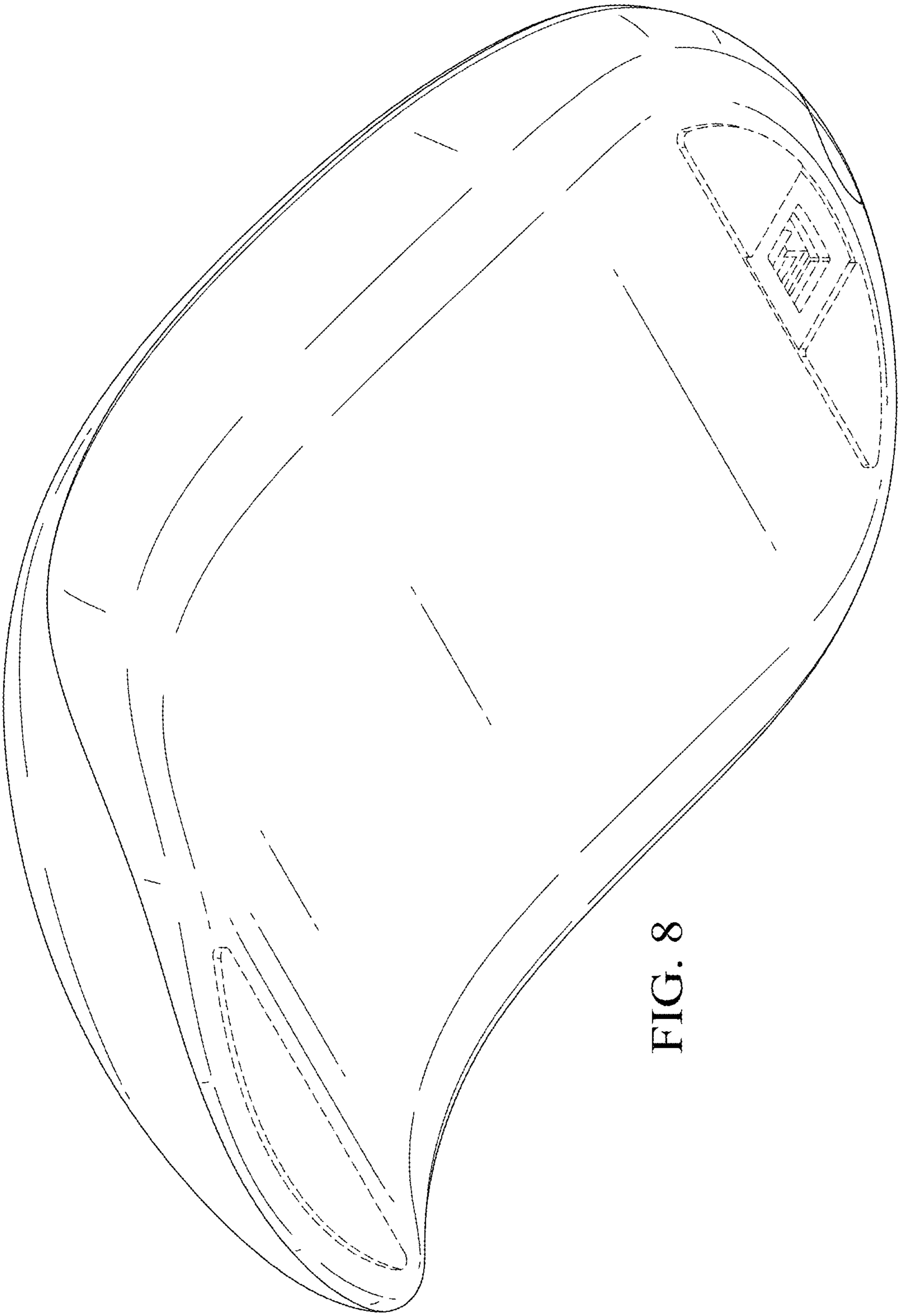


FIG. 8