



US00D863300S

(12) **United States Design Patent** (10) **Patent No.:** **US D863,300 S**
Boger et al. (45) **Date of Patent:** **** Oct. 15, 2019**

(54) **HEAD MOUNTED DISPLAY**
(71) Applicant: **RAZER (ASIA-PACIFIC) PTE. LTD.,**
Singapore (SG)
(72) Inventors: **Yuval S. Boger**, Baltimore, MD (US);
Yaron Kaufman, Olney, MD (US)
(73) Assignee: **RAZER (ASIA-PACIFIC) PTE. LTD.,**
Singapore (SG)

D827,642 S * 9/2018 Liu D14/372
D831,029 S * 10/2018 Gu D14/372
D834,016 S * 11/2018 Raffle D14/372
D834,018 S * 11/2018 Wei D14/372
D834,019 S * 11/2018 Dallmeyer D14/372
D835,622 S * 12/2018 Miller D14/372
D836,103 S * 12/2018 Robertson D14/372
D839,871 S * 2/2019 Wei D14/372
D840,399 S * 2/2019 Miller D14/372
D843,373 S * 3/2019 Zhao D14/372
D844,605 S * 4/2019 Yeh D14/372
D848,420 S * 5/2019 Boger D14/372

(**) Term: **15 Years**

* cited by examiner

(21) Appl. No.: **29/683,179**

Primary Examiner — Austin Murphy

(22) Filed: **Mar. 11, 2019**

(74) *Attorney, Agent, or Firm* — Polsinelli PC

Related U.S. Application Data

(62) Division of application No. 29/578,107, filed on Sep. 19, 2016, now Pat. No. Des. 848,420.

(51) **LOC (12) Cl.** **14-02**

(52) **U.S. Cl.**
USPC **D14/372**

(58) **Field of Classification Search**
USPC D14/372, 496, 432, 371, 125, 126, 129,
D14/299; D16/300–342; 351/158, 153,
351/144; 345/7–9, 905; 455/344;
348/115, 53, 121, 739
CPC G02B 27/017; G02B 27/0158; G02B
27/0161; G02B 27/0181; G02B 27/0185;
G02B 27/0189
See application file for complete search history.

(56) **References Cited**

U.S. PATENT DOCUMENTS

D815,637 S * 4/2018 Li D14/372
D819,635 S * 6/2018 Miller D14/372
D819,636 S * 6/2018 Chen D14/372
D822,659 S * 7/2018 Spio D14/372
D823,855 S * 7/2018 Robertson D14/372

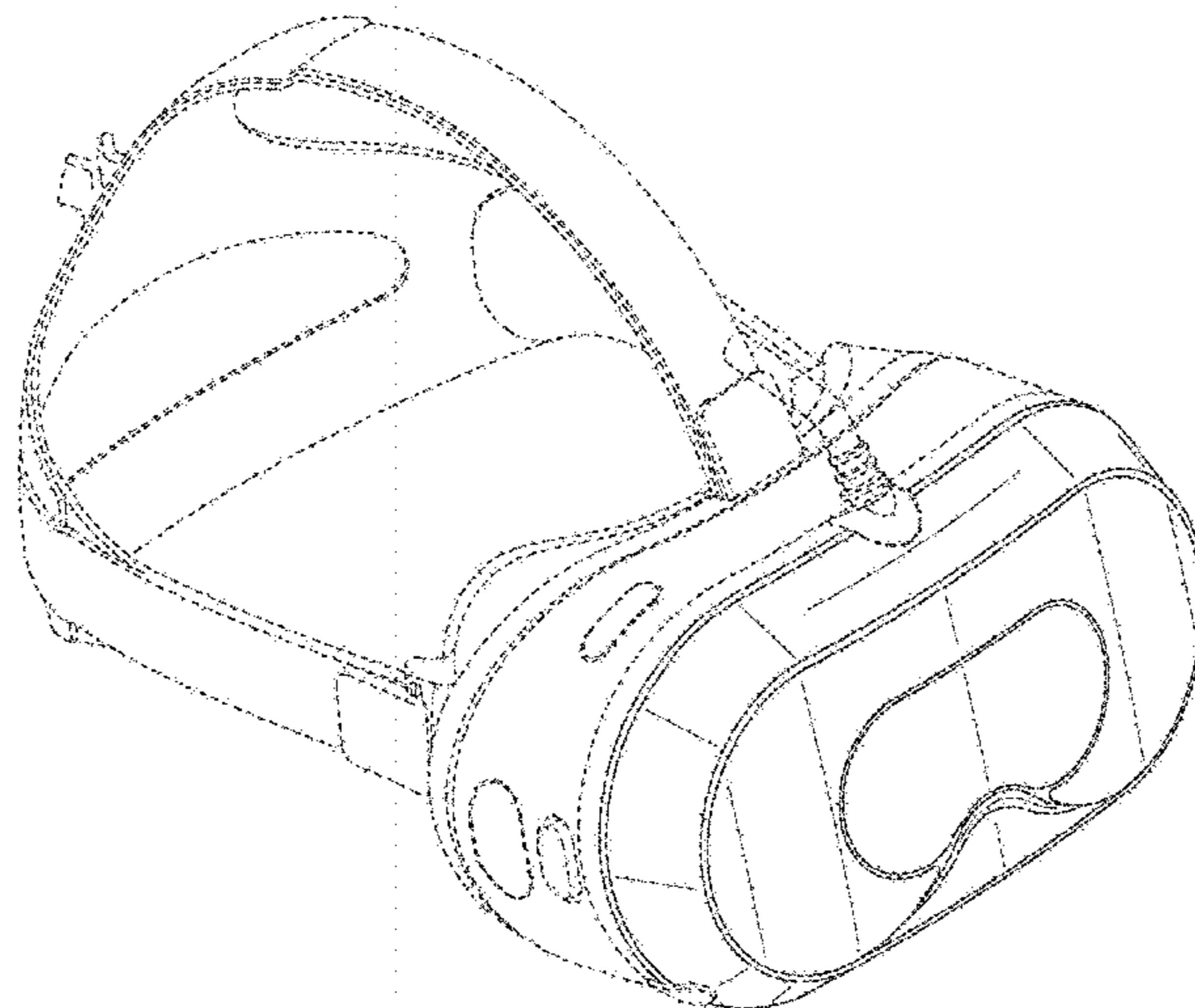
(57) **CLAIM**

The ornamental design for a head-mounted display, as shown and described in FIGS. 1-8.

DESCRIPTION

FIG. 1 is a front left perspective view of a head-mounted display, according to an embodiment.
FIG. 2 is a rear right perspective view of the head-mounted display according to the embodiment of FIG. 1.
FIG. 3 is a front view of the head-mounted display according to the embodiment of FIG. 1.
FIG. 4 is a rear view of the head-mounted display according to the embodiment of FIG. 1.
FIG. 5 is a left view of the head-mounted display according to the embodiment of FIG. 1.
FIG. 6 is a right view of the head-mounted display according to the embodiment of FIG. 1.
FIG. 7 is a top view of the head-mounted display according to the embodiment of FIG. 1; and,
FIG. 8 is a bottom view of the head-mounted display according to the embodiment of FIG. 1.
In the drawings, the dashed lines depict portions of the article that form no part of the claimed design.

1 Claim, 8 Drawing Sheets



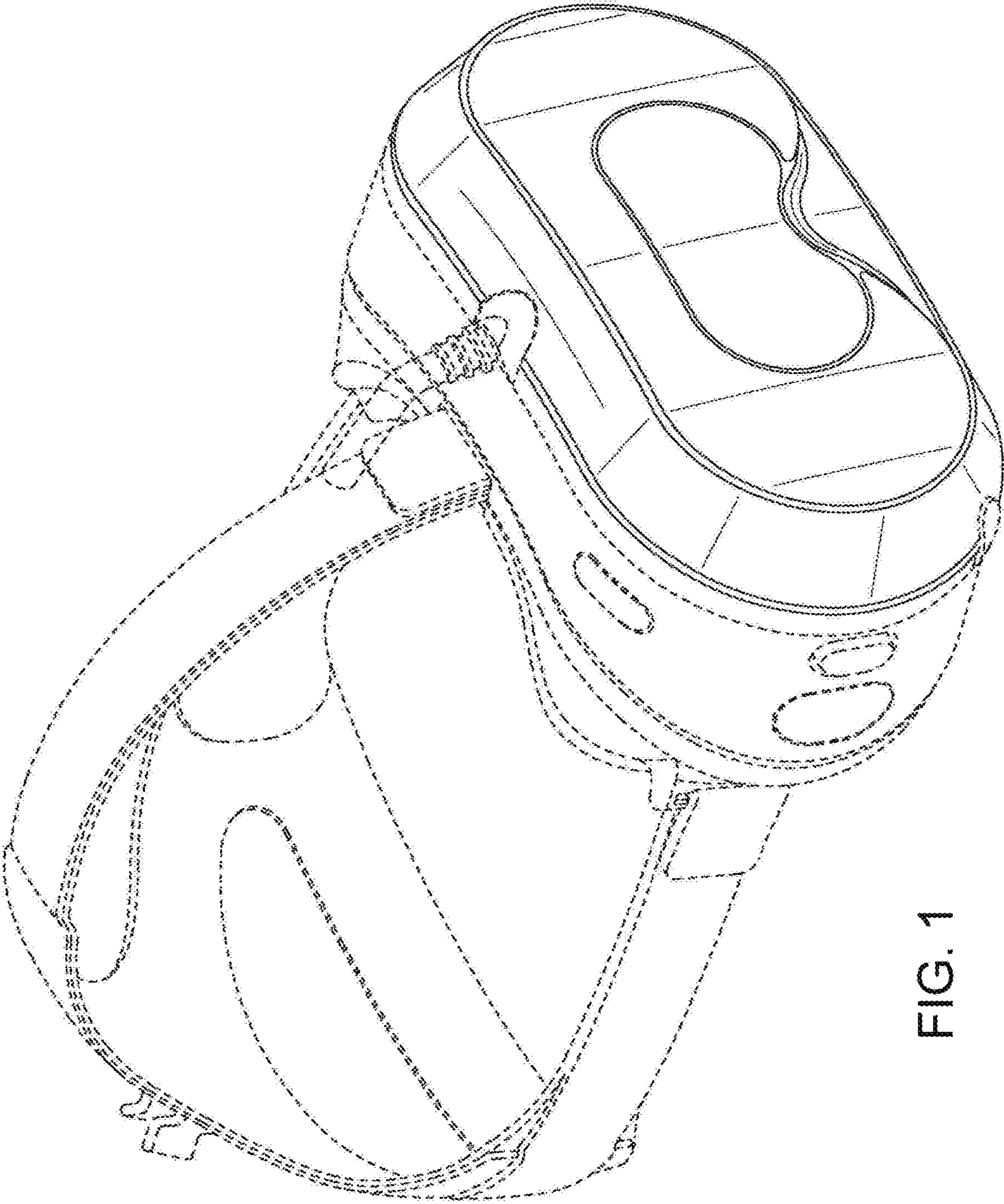


FIG. 1

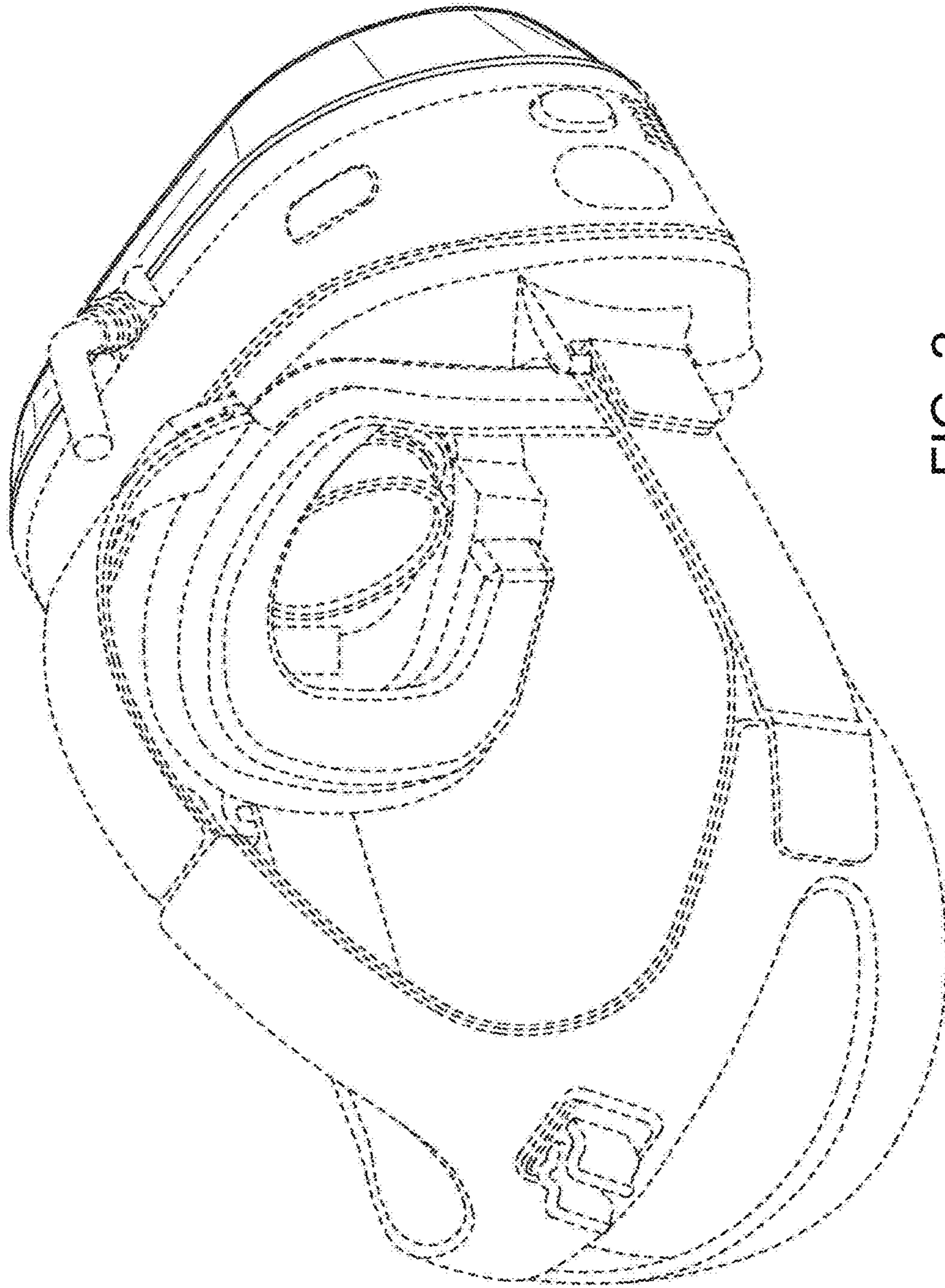


FIG. 2

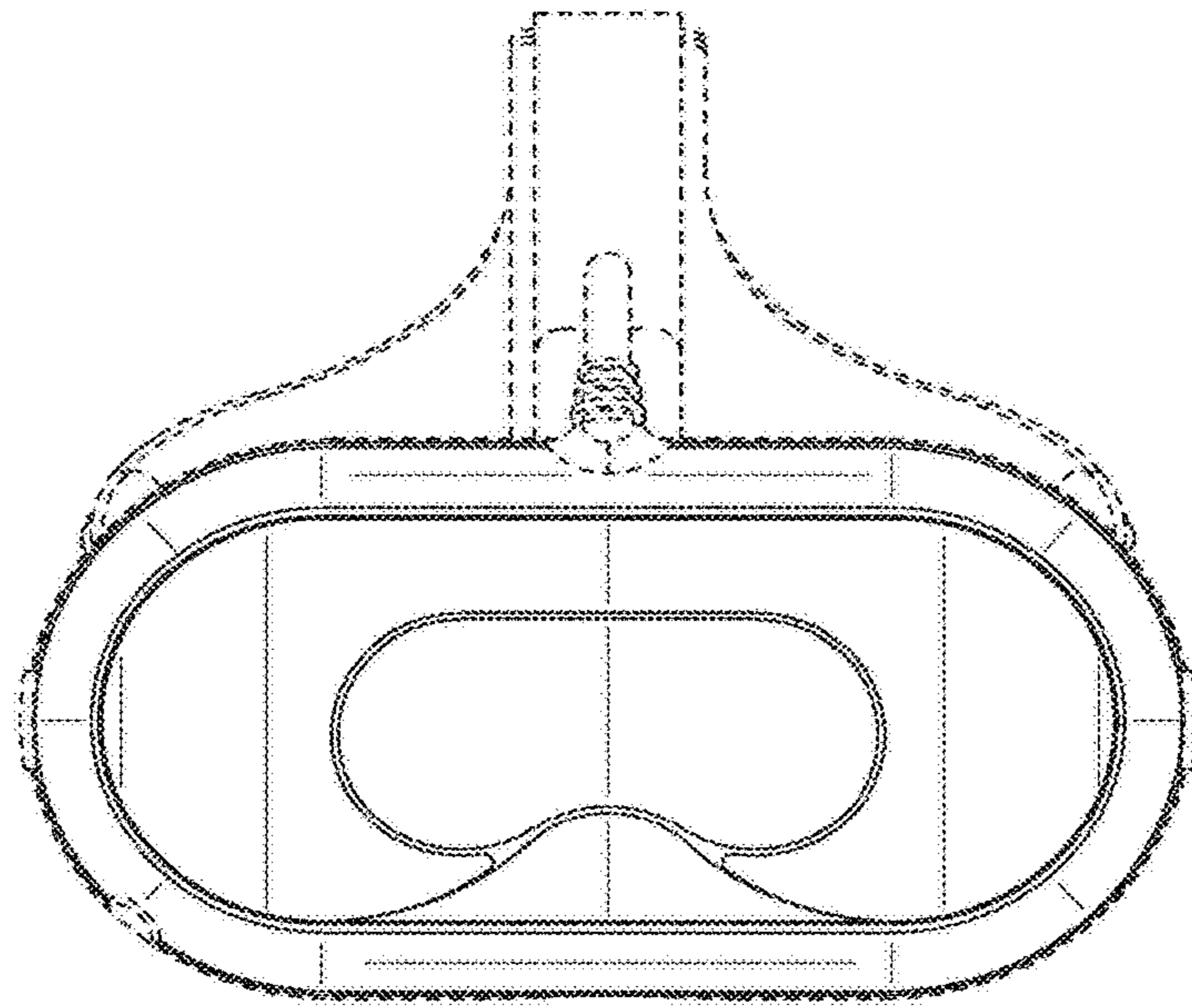


FIG. 3

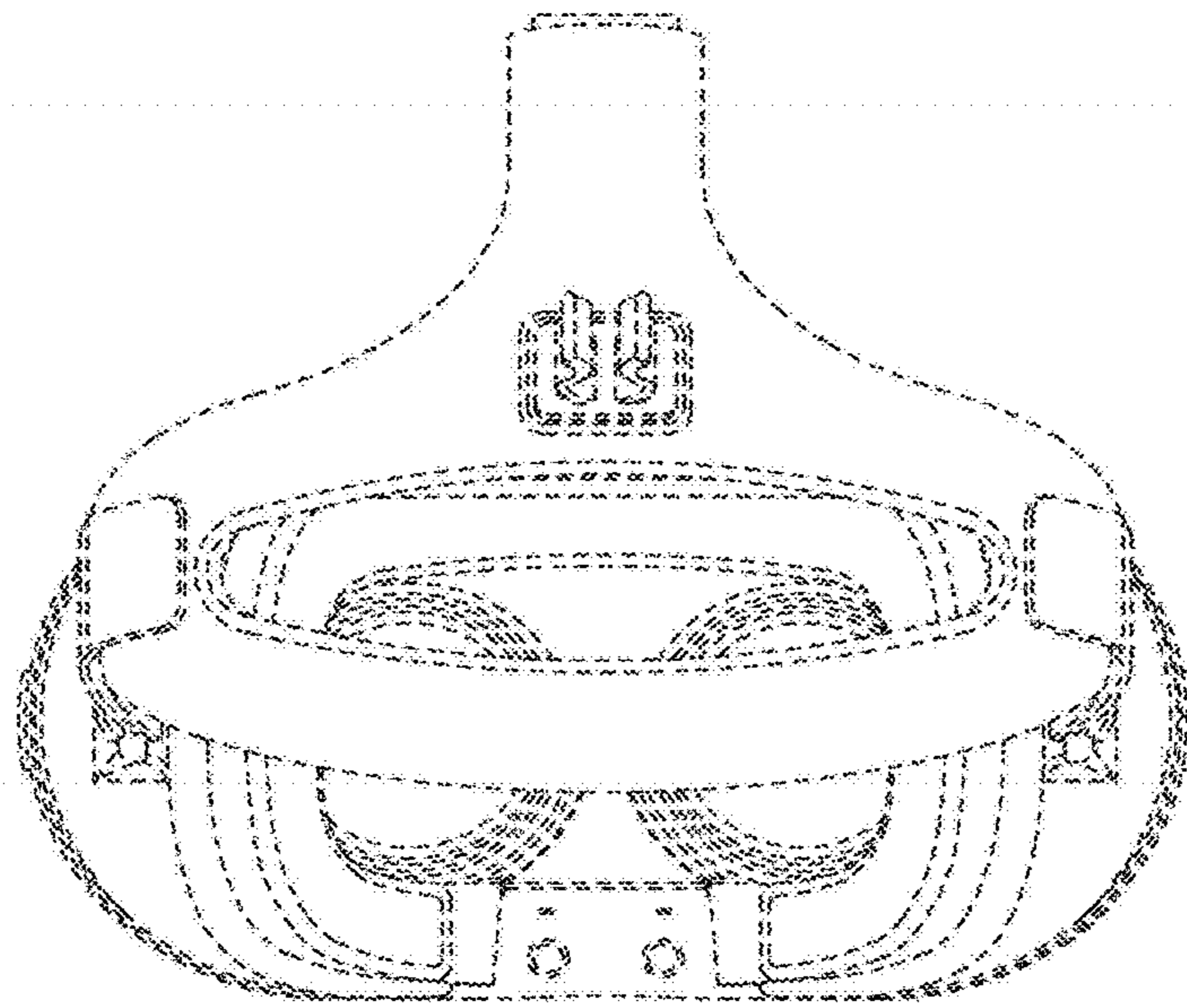


FIG. 4

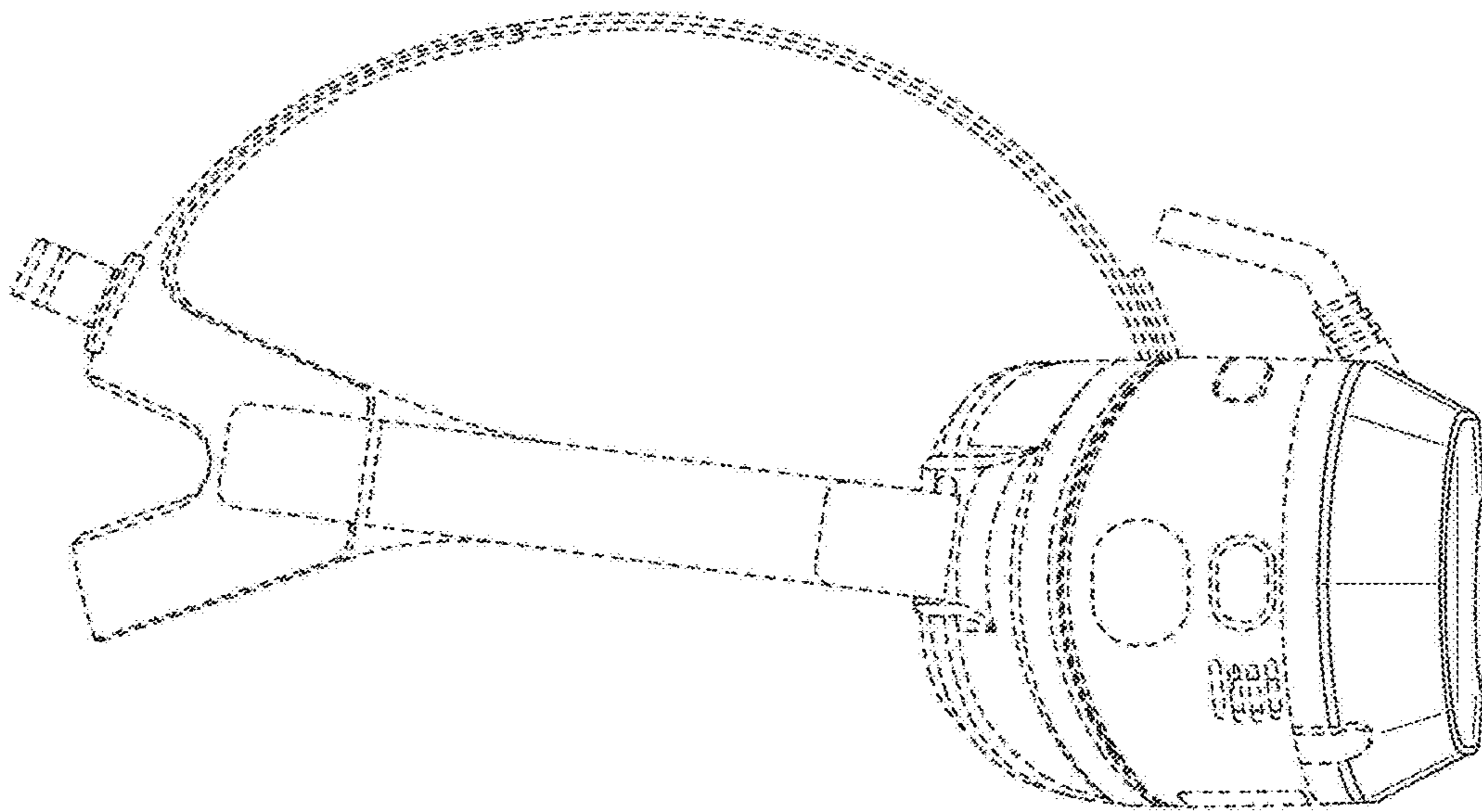


FIG. 5

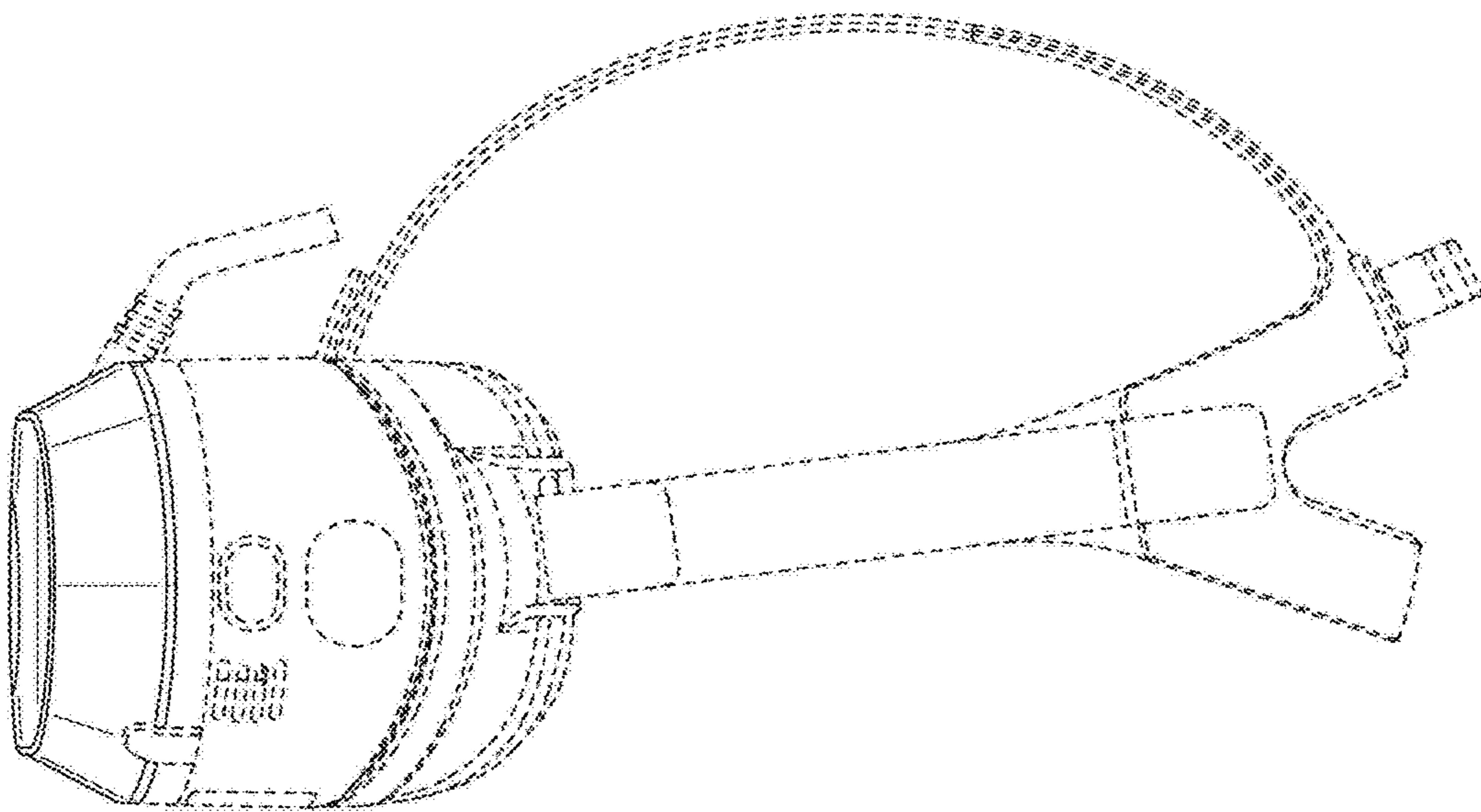


FIG. 6

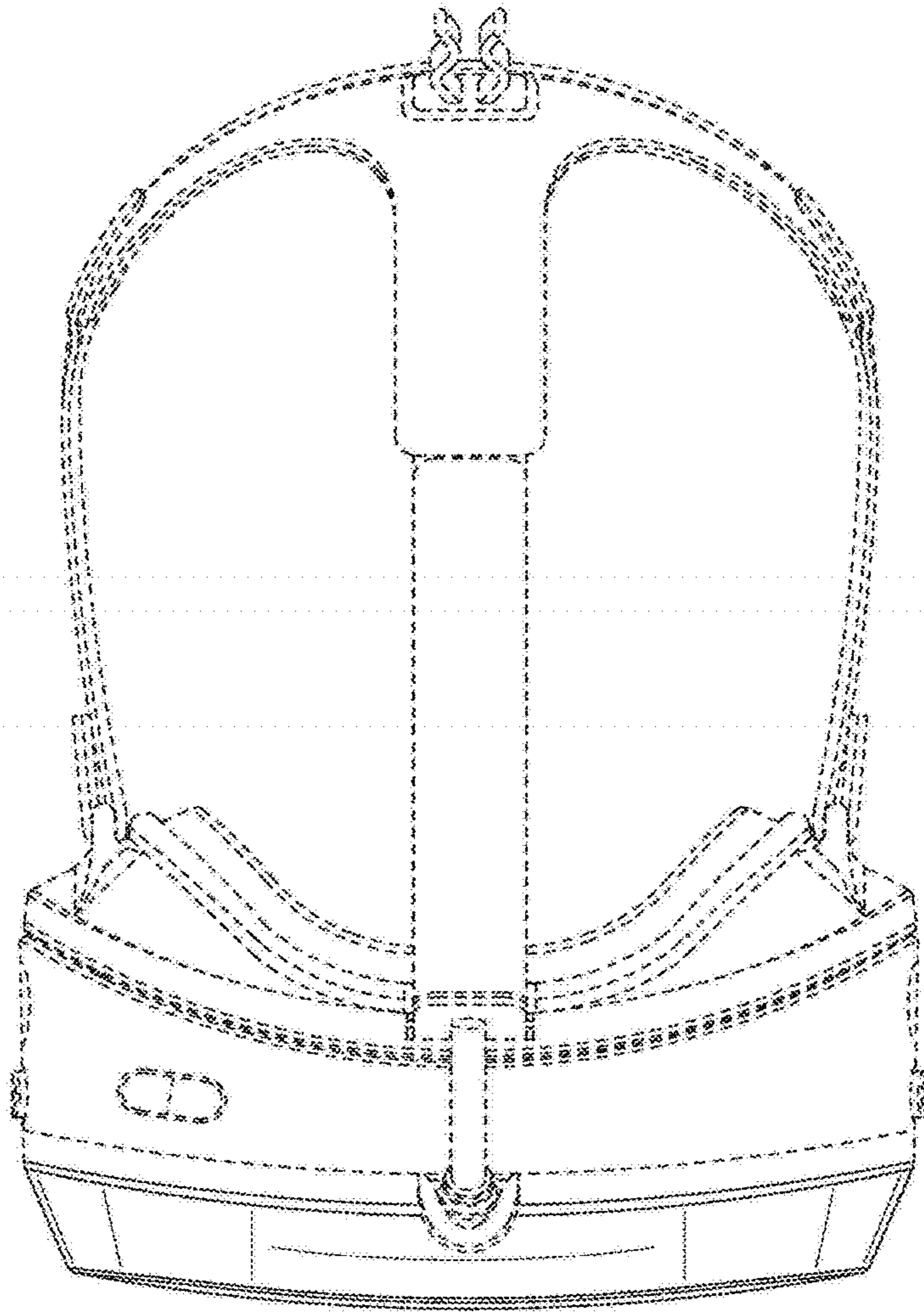


FIG. 7

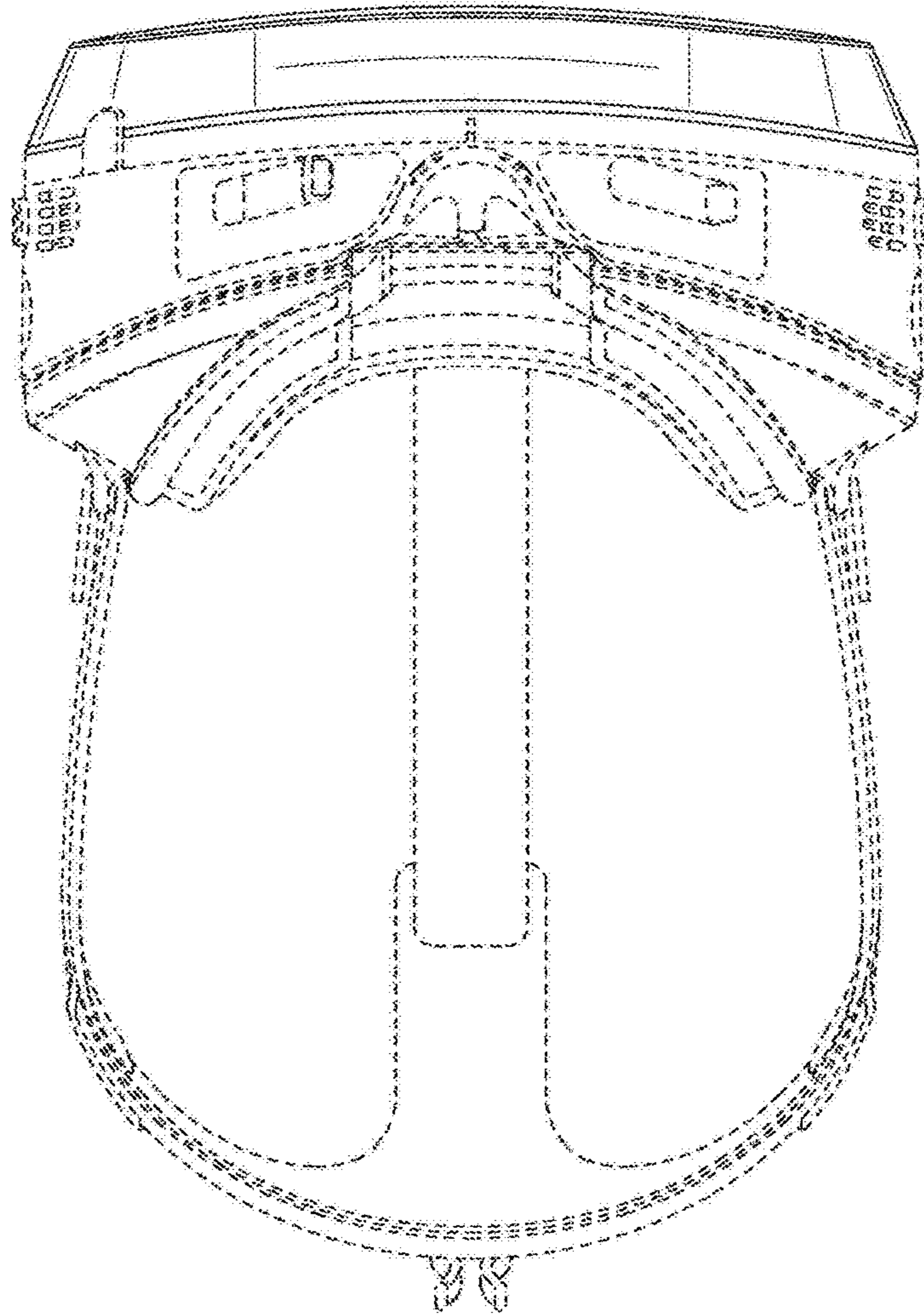


FIG. 8