



US00D863299S

(12) **United States Design Patent** (10) **Patent No.:** **US D863,299 S**
Jacobsen (45) **Date of Patent:** **** Oct. 15, 2019**

(54) **ELECTRONIC VIEWING DEVICE**
(71) Applicant: **Kopin Corporation**, Westborough, MA (US)
(72) Inventor: **Jeffrey J. Jacobsen**, Hollister, CA (US)
(73) Assignee: **Kopin Corporation**, Westborough, MA (US)

(**) Term: **15 Years**

(21) Appl. No.: **29/636,984**

(22) Filed: **Feb. 13, 2018**

(51) **LOC (12) Cl.** **14-02**

(52) **U.S. Cl.**
USPC **D14/372**

(58) **Field of Classification Search**
USPC D14/372, 496, 432, 371, 125, 126, 129, D14/299; D16/300-342; 351/158, 153, 351/144; 345/7-9, 905; 455/344; 348/115, 53, 121, 739
CPC G02B 27/017; G02B 27/0158; G02B 27/0161; G02B 27/0181; G02B 27/0185; G02B 27/0189

See application file for complete search history.

(56) **References Cited**

U.S. PATENT DOCUMENTS

D701,506 S 3/2014 Pombo
D704,705 S * 5/2014 Mehin D14/372
D714,786 S 10/2014 Pombo et al.
D716,364 S 10/2014 Chow et al.
D726,180 S * 4/2015 Roat D14/372
D730,352 S 5/2015 Chow et al.
D731,484 S * 6/2015 Olsson D14/372
D733,137 S * 6/2015 Kawai D14/372
D740,284 S * 10/2015 Maeda D14/372

D754,782 S 4/2016 Kokinakis et al.
D778,907 S * 2/2017 Maeda D14/372
D791,124 S * 7/2017 Seki D14/372
D793,468 S * 8/2017 Yu D16/309
D795,865 S * 8/2017 Porter D14/372
D795,866 S * 8/2017 Porter D14/372
D803,832 S * 11/2017 Lin D14/372
D804,475 S * 12/2017 Seki D14/372
D819,716 S * 6/2018 Kim D16/208
D841,647 S * 2/2019 Sakai D14/372
2015/0340010 A1* 11/2015 Travers G06F 3/14 345/520

OTHER PUBLICATIONS

Wear AV920, J-Plat-Pat, HA200778300, Sep. 9, 2008.
Certificate of Registration, No. 005594009-0001, European Union Intellectual Property Office, Sep. 8, 2018.

* cited by examiner

Primary Examiner — Austin Murphy
(74) *Attorney, Agent, or Firm* — Hamilton, Brook, Smith & Reynolds, P.C.

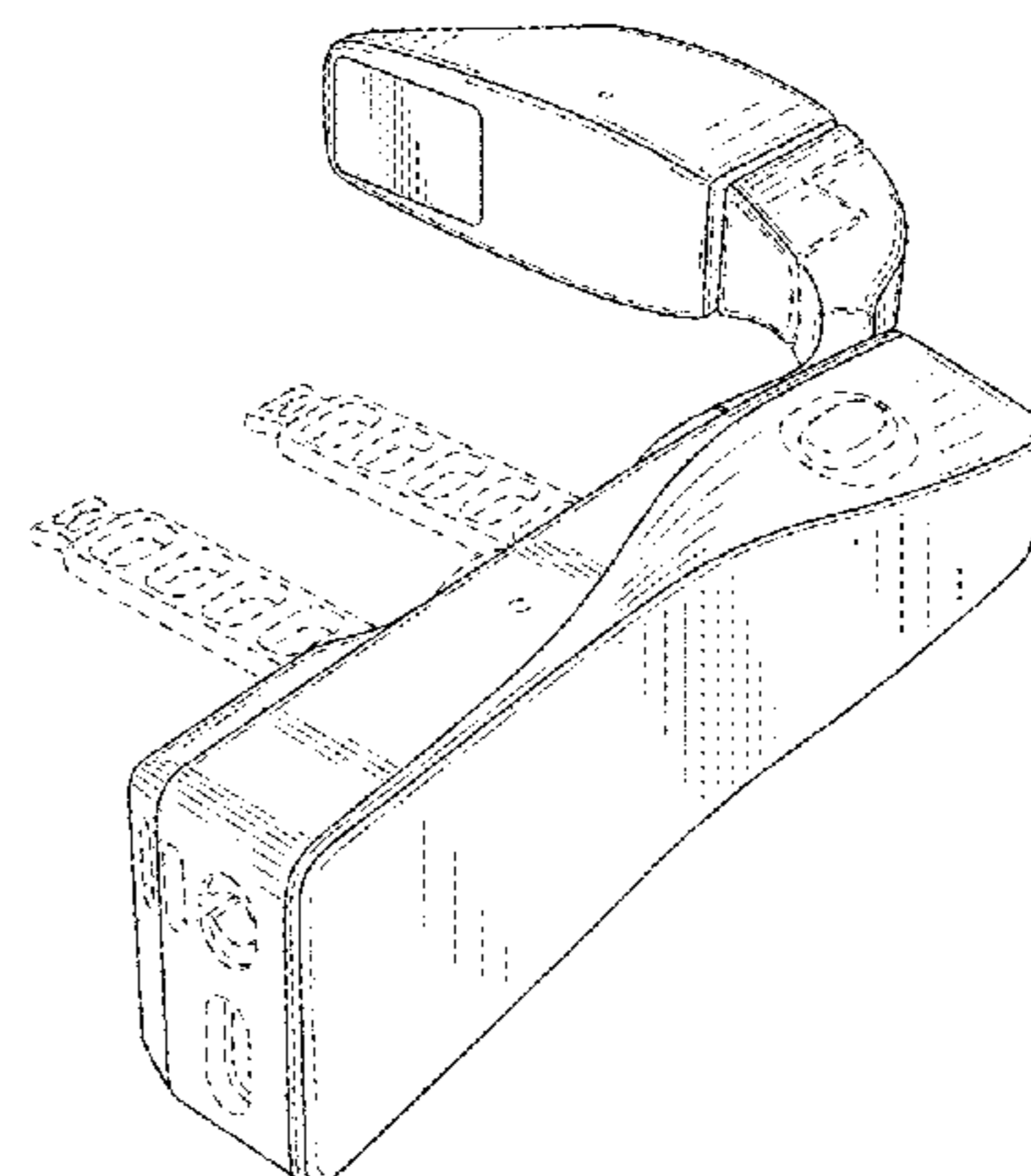
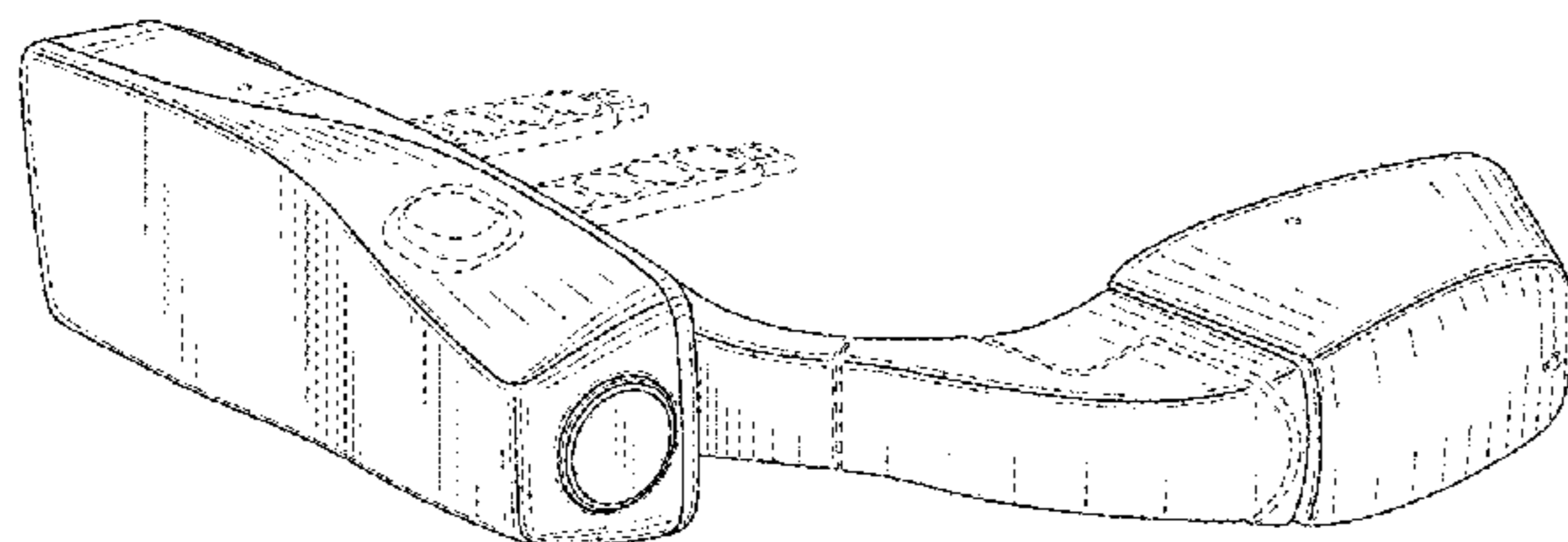
(57) **CLAIM**

The ornamental design for an electronic viewing device, as shown and described.

DESCRIPTION

FIG. 1 is a front perspective view of the electronic viewing device in the present invention.
FIG. 2 is a rear perspective view thereof.
FIG. 3 is a front view thereof.
FIG. 4 is a rear view thereof.
FIG. 5 is a top view thereof.
FIG. 6 is a bottom view thereof.
FIG. 7 is a left side view thereof; and,
FIG. 8 is a right side view thereof.

1 Claim, 5 Drawing Sheets



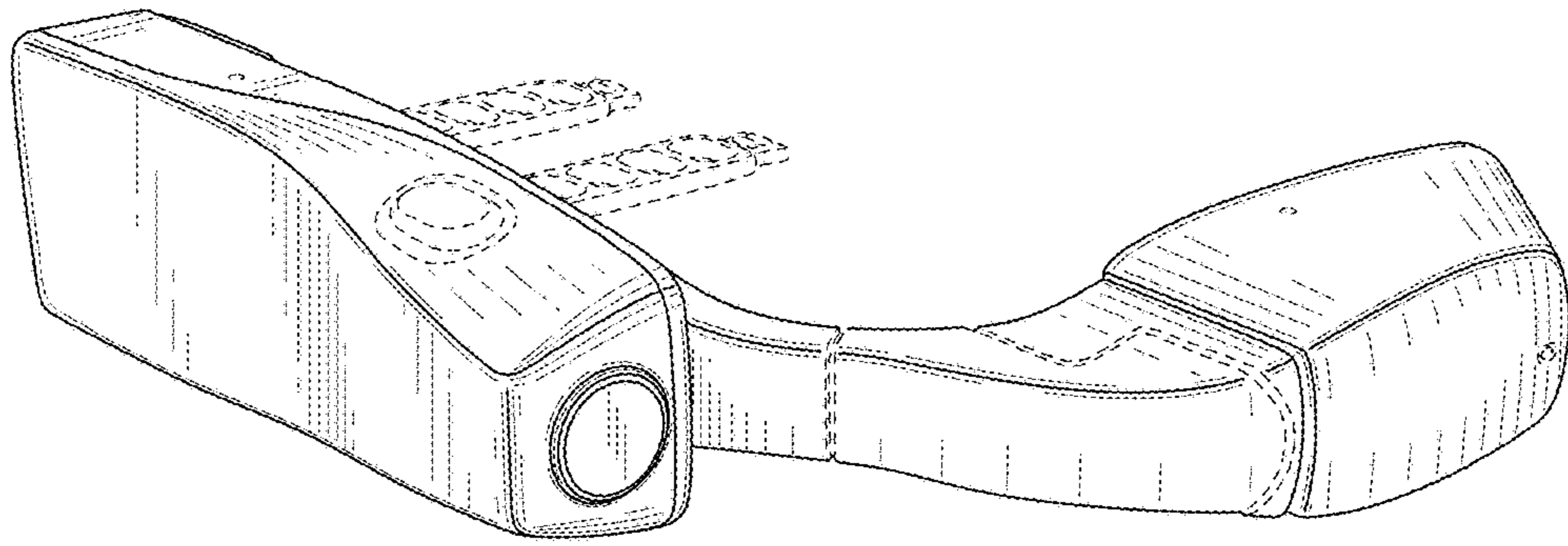


FIG. 1

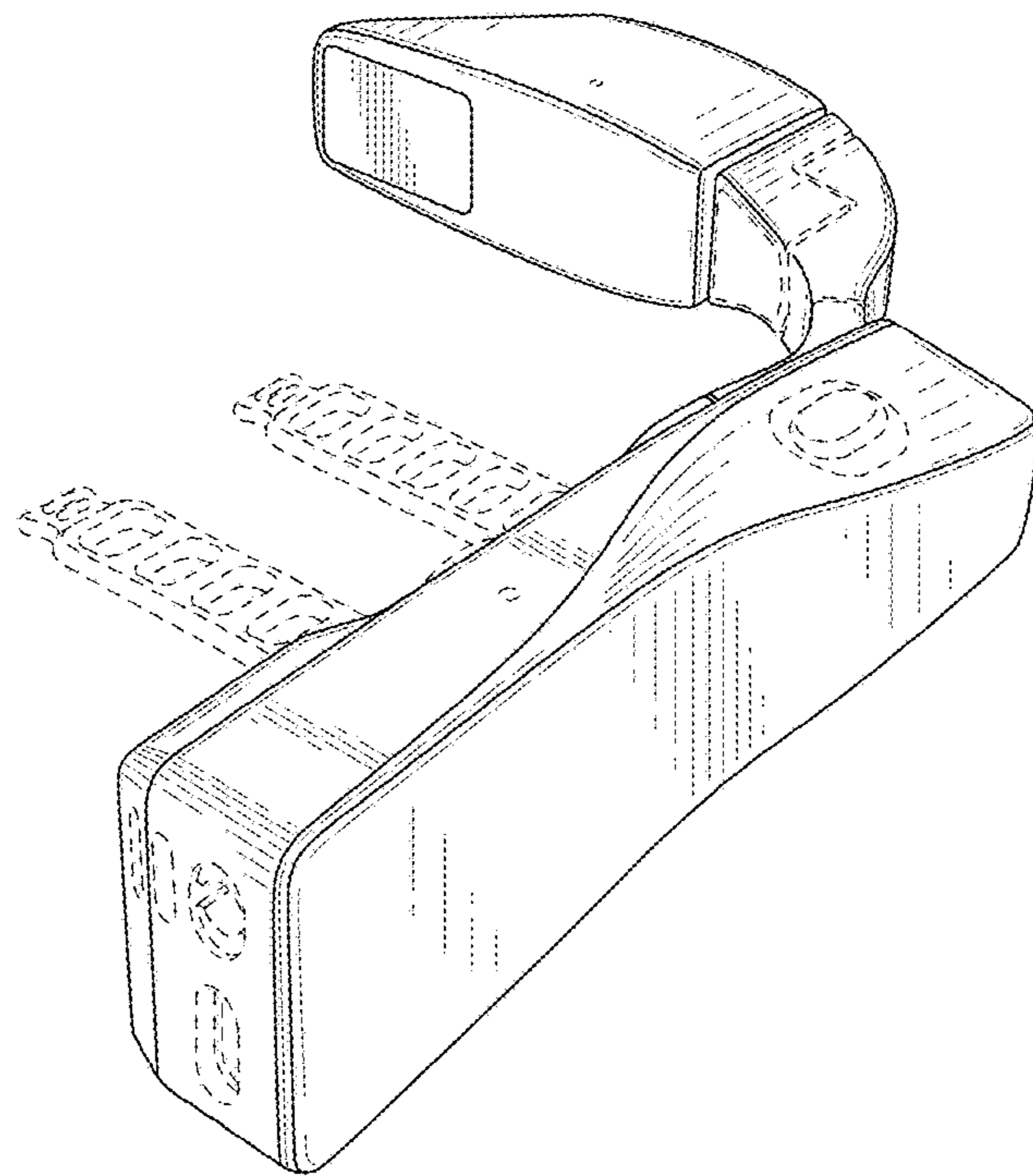


FIG. 2

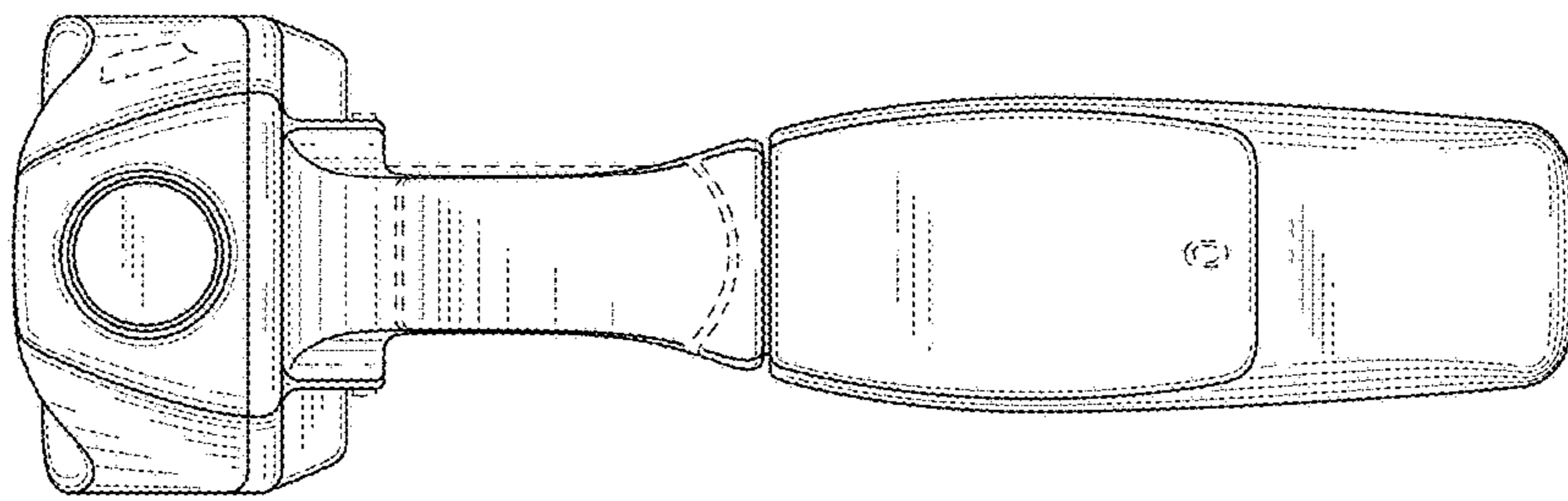


FIG. 3

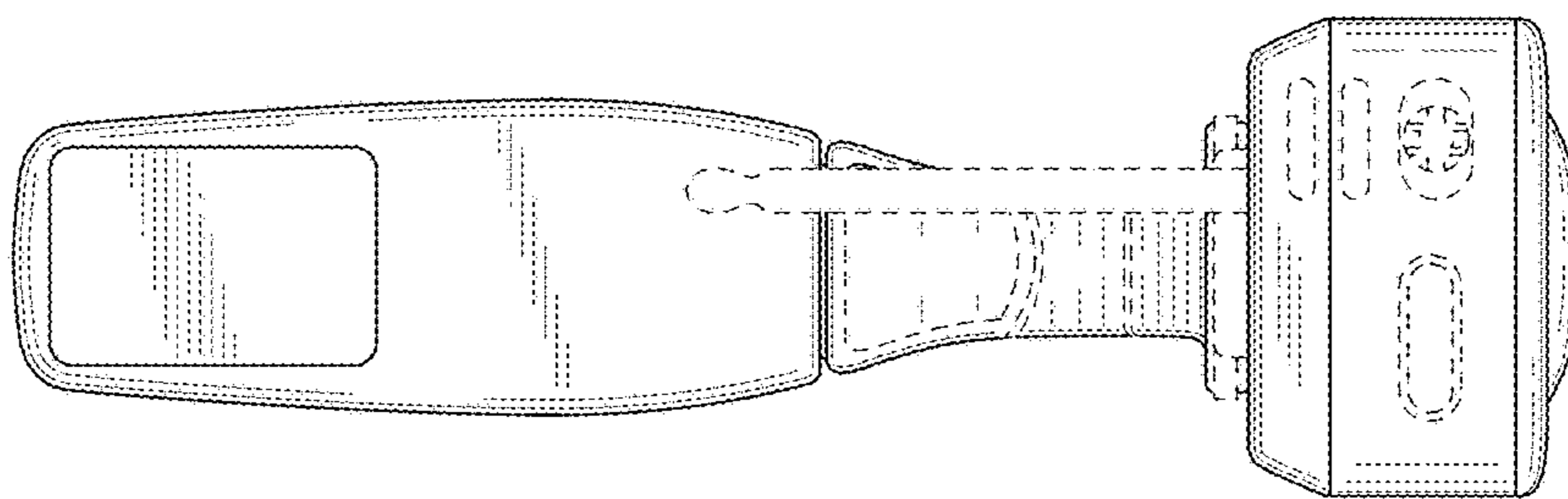


FIG. 4

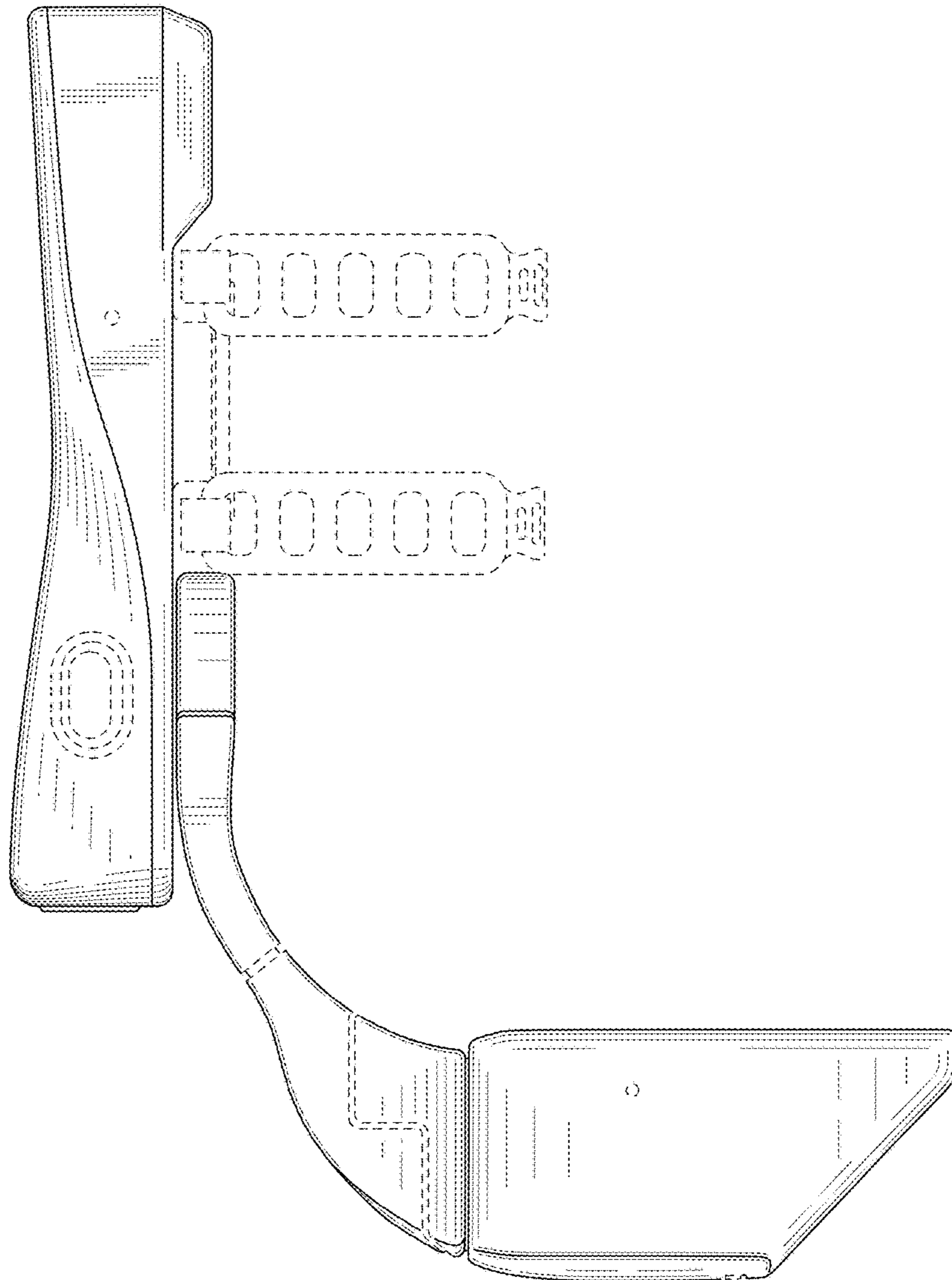


FIG. 5

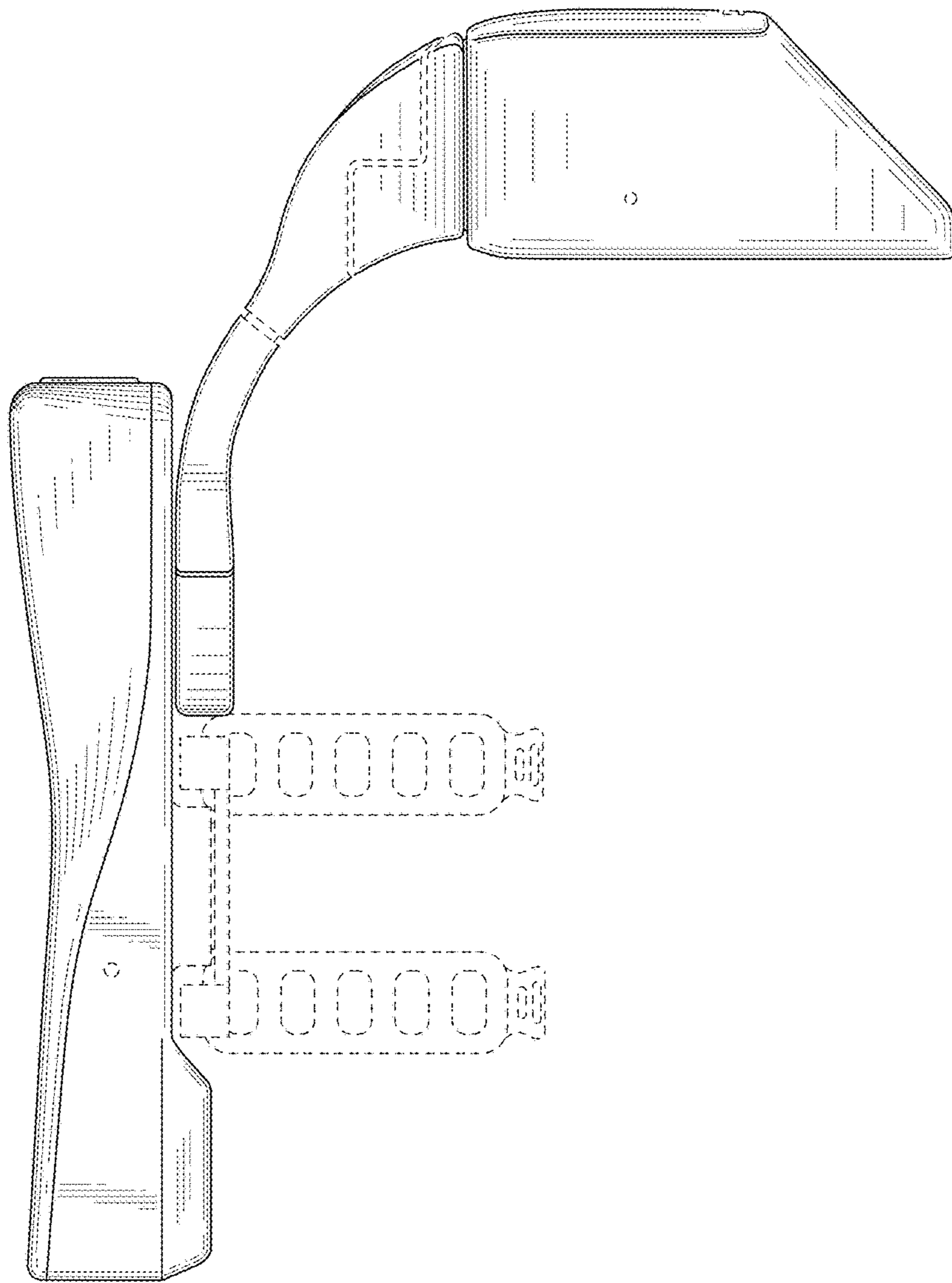


FIG. 6

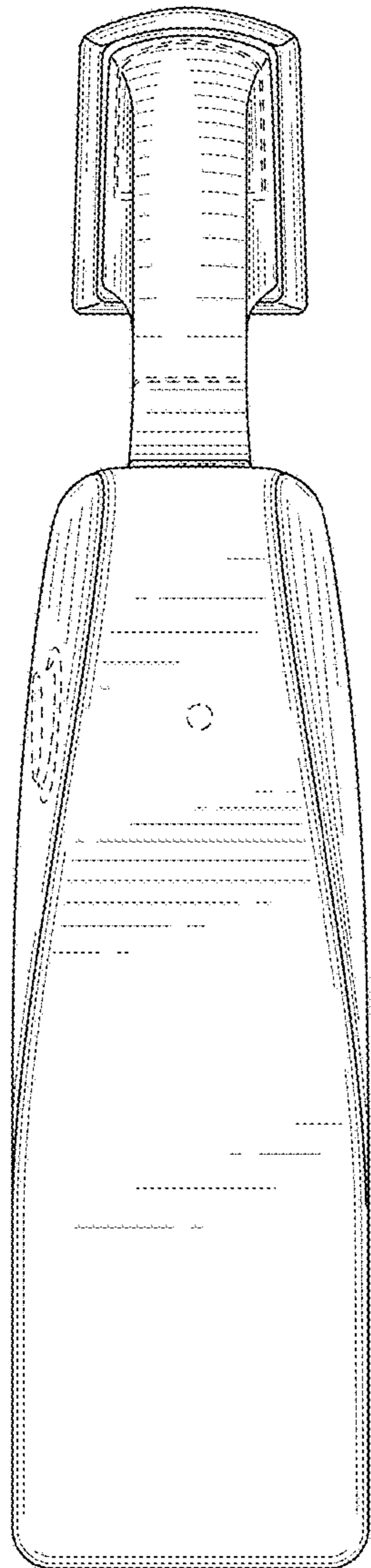


FIG. 7

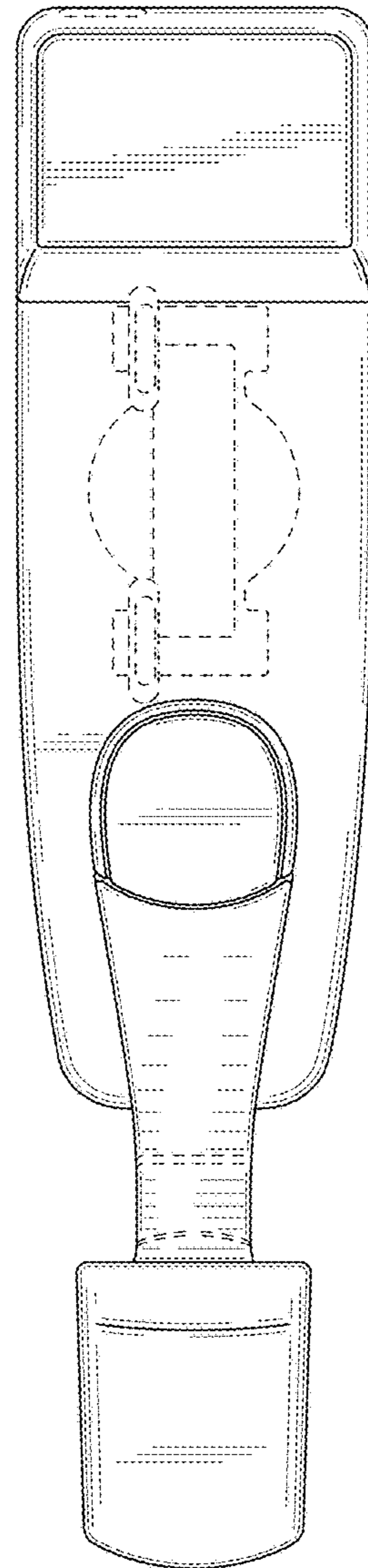


FIG. 8