



US00D863298S

(12) **United States Design Patent** (10) **Patent No.:** **US D863,298 S**  
**Tu et al.** (45) **Date of Patent:** **\*\* Oct. 15, 2019**

(54) **COMPUTER HOST**

(71) Applicant: **Acer Incorporated**, New Taipei (TW)

(72) Inventors: **Chih-Kai Tu**, New Taipei (TW);  
**I-Hsiang Chuang**, New Taipei (TW);  
**Hsien-Yu Liu**, New Taipei (TW);  
**Wei-Min Huang**, New Taipei (TW)

(73) Assignee: **Acer Incorporated**, New Taipei (TW)

(\*\*) Term: **15 Years**

(21) Appl. No.: **29/639,319**

(22) Filed: **Mar. 6, 2018**

(30) **Foreign Application Priority Data**

Sep. 6, 2017 (TW) ..... 106305125

(51) **LOC (12) Cl.** ..... **14-02**

(52) **U.S. Cl.**  
USPC ..... **D14/350**

(58) **Field of Classification Search**  
USPC ..... D14/300-304, 308-314, 328, 348-370,  
D14/432, 440-441, 443-446; D3/279  
CPC ..... G06F 1/16; G06F 1/1628; G06F 1/181;  
H05K 7/00; H05K 7/18; H05K 5/14;  
H05K 5/023; H05K 5/0234  
See application file for complete search history.

(56) **References Cited**

**U.S. PATENT DOCUMENTS**

D293,909 S \* 1/1988 Davis ..... D14/352  
4,792,039 A \* 12/1988 Dayton ..... A45C 5/14  
206/304

(Continued)

**FOREIGN PATENT DOCUMENTS**

TW D104940 6/2005  
TW D122246 4/2008

(Continued)

**OTHER PUBLICATIONS**

Chester, Edward, Acer Predator Orion 900 Review, posted at Trusted Reviews, posting date Oct. 30, 2018. Site visited Jun. 19, 2019. URL: <<https://www.trustedreviews.com/reviews/acer-predator-orion-9000>> (Year: 2018).\*

(Continued)

*Primary Examiner* — Kevin K Rudzinski

*Assistant Examiner* — Kathleen L Jones

(74) *Attorney, Agent, or Firm* — JCIPRNET

(57) **CLAIM**

The ornamental design for a computer host, as shown and described.

**DESCRIPTION**

FIG. 1 is a perspective view of a computer host showing my new design;

FIG. 2 is a front view thereof;

FIG. 3 is a rear view thereof;

FIG. 4 is a left side view thereof;

FIG. 5 is a right side view thereof;

FIG. 6 is a top view thereof;

FIG. 7 is a bottom view thereof;

FIG. 8 is an enlarged view of a handle of the computer host in FIG. 1;

FIG. 9 is an enlarged view of another handle of the computer host in FIG. 1;

FIG. 10 is an enlarged view of a wheel set of the computer host in FIG. 1;

FIG. 11 is an enlarged view of the wheel set of the computer host in FIG. 2;

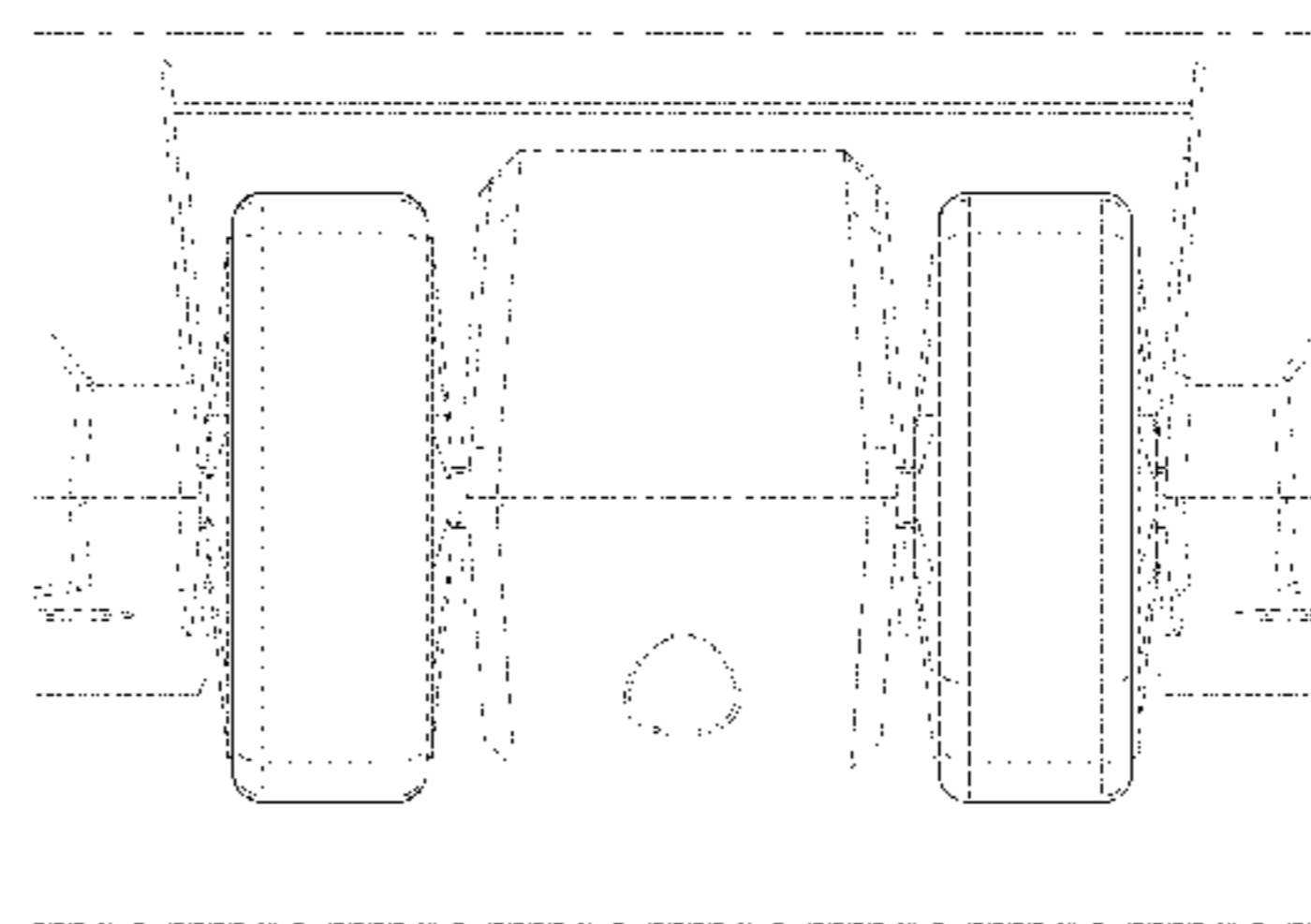
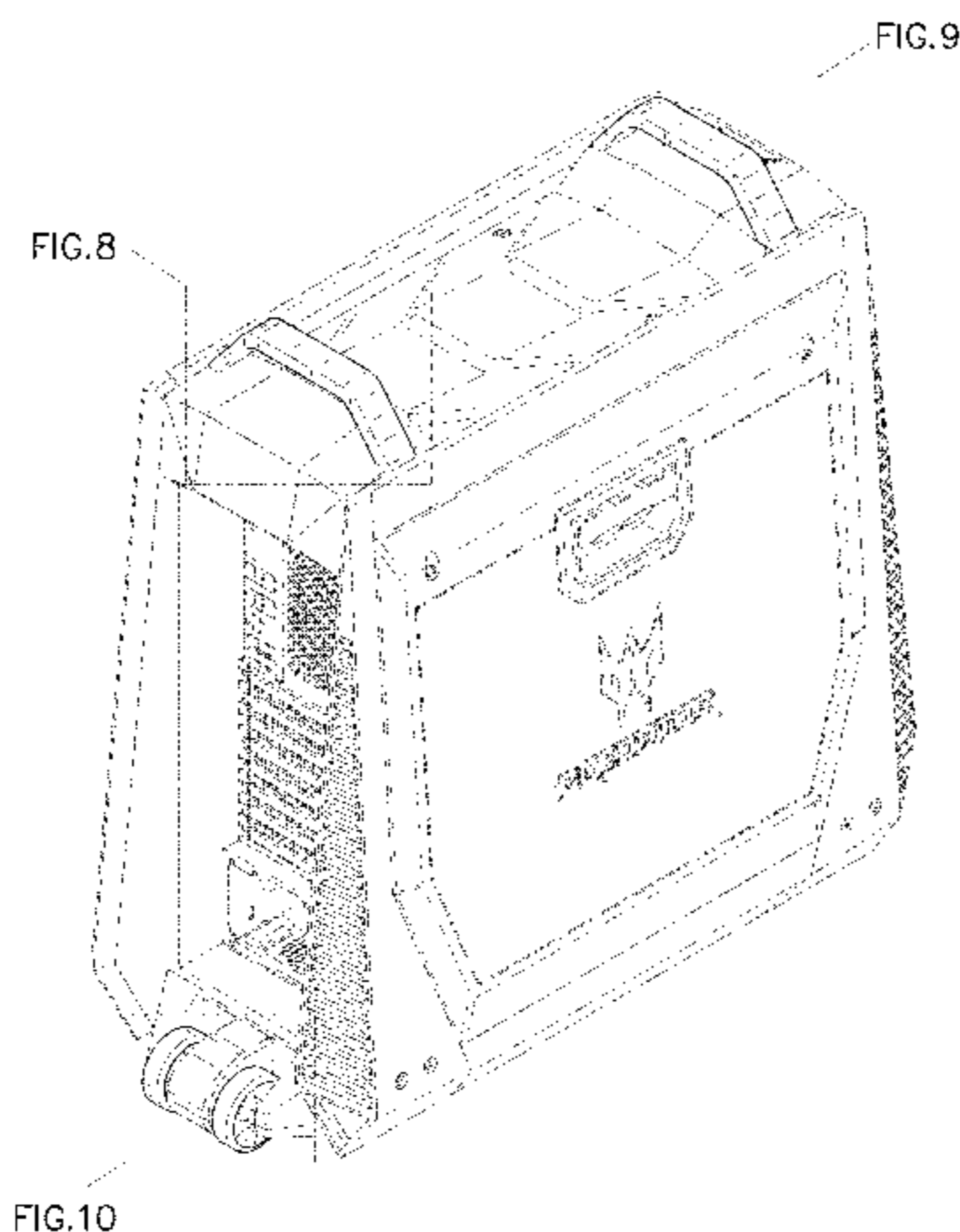
FIG. 12 is an enlarged view of the wheel set of the computer host in FIG. 4;

FIG. 13 is an enlarged view of the wheel set of the computer host in FIG. 6; and,

FIG. 14 is an enlarged view of the wheel set of the computer host in FIG. 7.

The broken lines showing portions of the computer host in FIGS. 1-14 form no part of the claimed design.

**1 Claim, 13 Drawing Sheets**



(56)

**References Cited**

U.S. PATENT DOCUMENTS

D306,284	S	*	2/1990	Koepke	.....	D14/350
D315,146	S	*	3/1991	Horie	.....	D14/350
D337,318	S	*	7/1993	Reiter	.....	D14/350
D346,274	S	*	4/1994	Good	.....	D3/279
D364,148	S	*	11/1995	Jasinski	.....	D14/349
D418,490	S	*	1/2000	Jobs	.....	D14/351
D438,200	S	*	2/2001	Hui	.....	D14/301
6,288,894	B1	*	9/2001	Schmitt	.....	F16M 11/42 312/216
D485,268	S	*	1/2004	Andre	.....	D14/349
D511,163	S	*	11/2005	Su	.....	D14/349
D517,062	S	*	3/2006	Yu	.....	D14/300
D744,019	S	*	11/2015	Evans	.....	D15/144
D832,576	S	*	11/2018	Schultz	.....	D3/279
2011/0011760	A1	*	1/2011	Habersetzer	.....	G06F 1/1628 206/320

FOREIGN PATENT DOCUMENTS

TW	D141630	7/2011
TW	D150839	12/2012

OTHER PUBLICATIONS

Open Box Cougar Panzer Max Ultimate Full Tower Gaming Computer Case, posted at EconoSuperStore, posting date May 28, 2016. Site visited Jun. 19, 2019. URL: <<https://econosuperstore.com/itm/open-box-cougar-panzer-max-ultimate-full-tower-gaming-computer-case-upto-e-atx/>> (Year: 2016).\*

\* cited by examiner

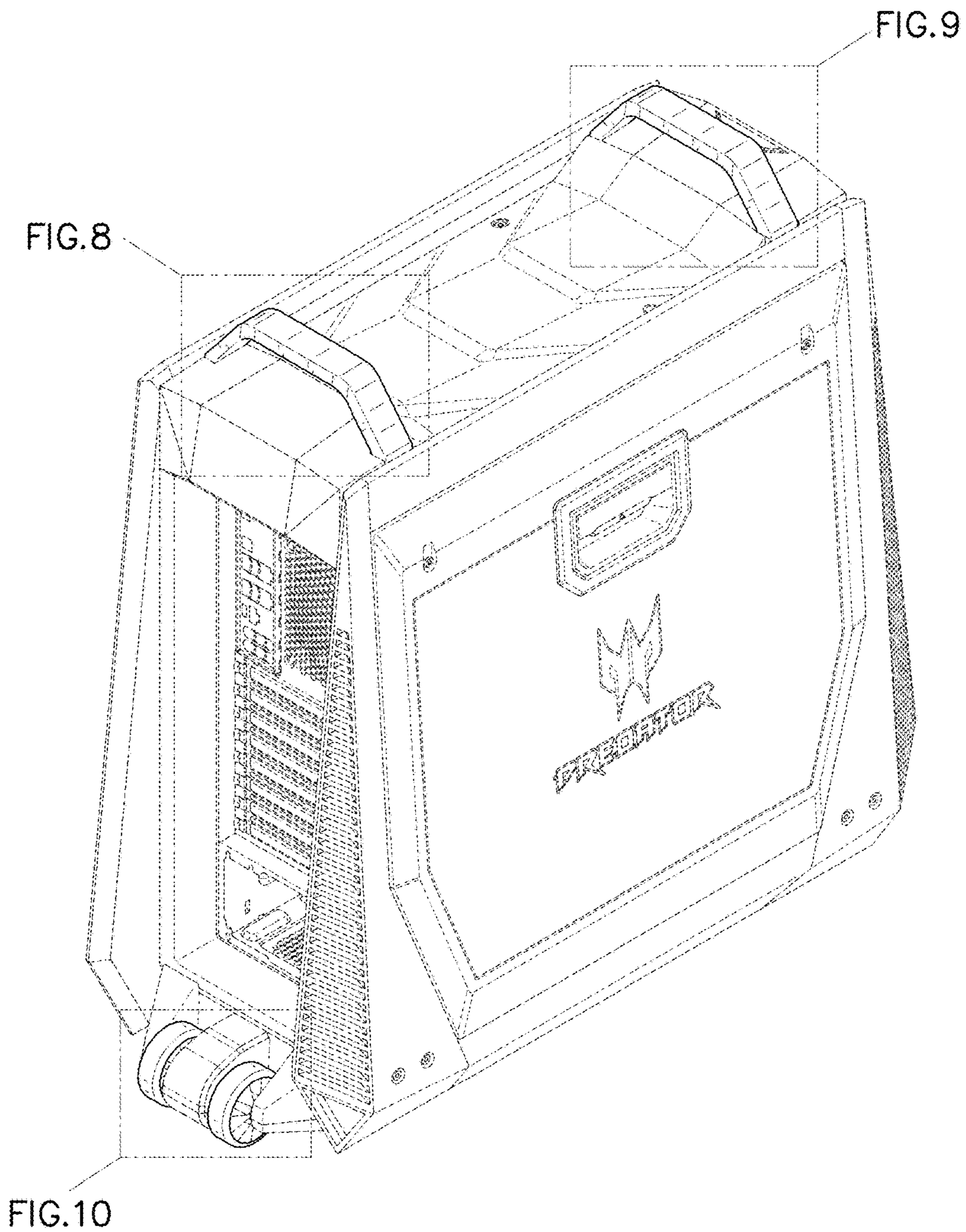


FIG. 1

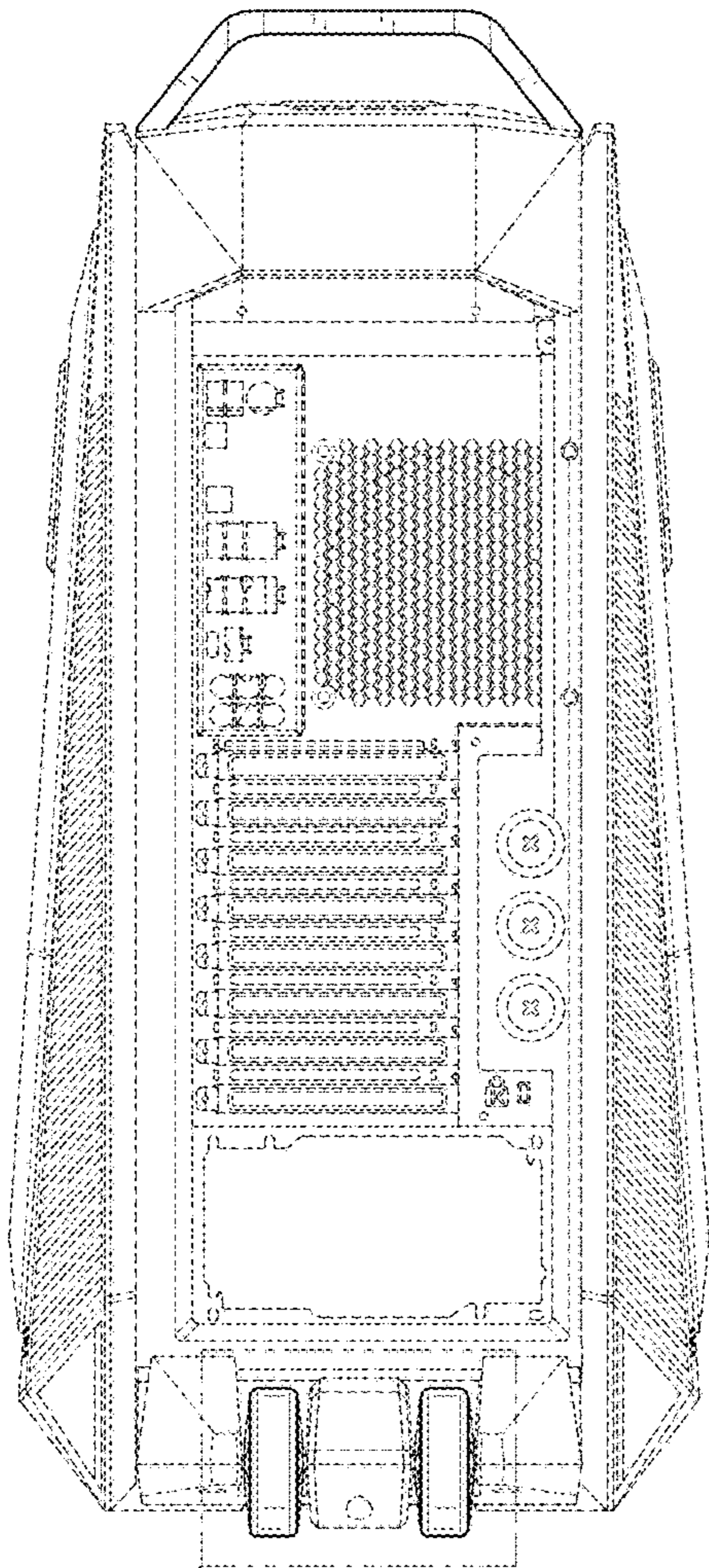


FIG. 11

FIG. 2

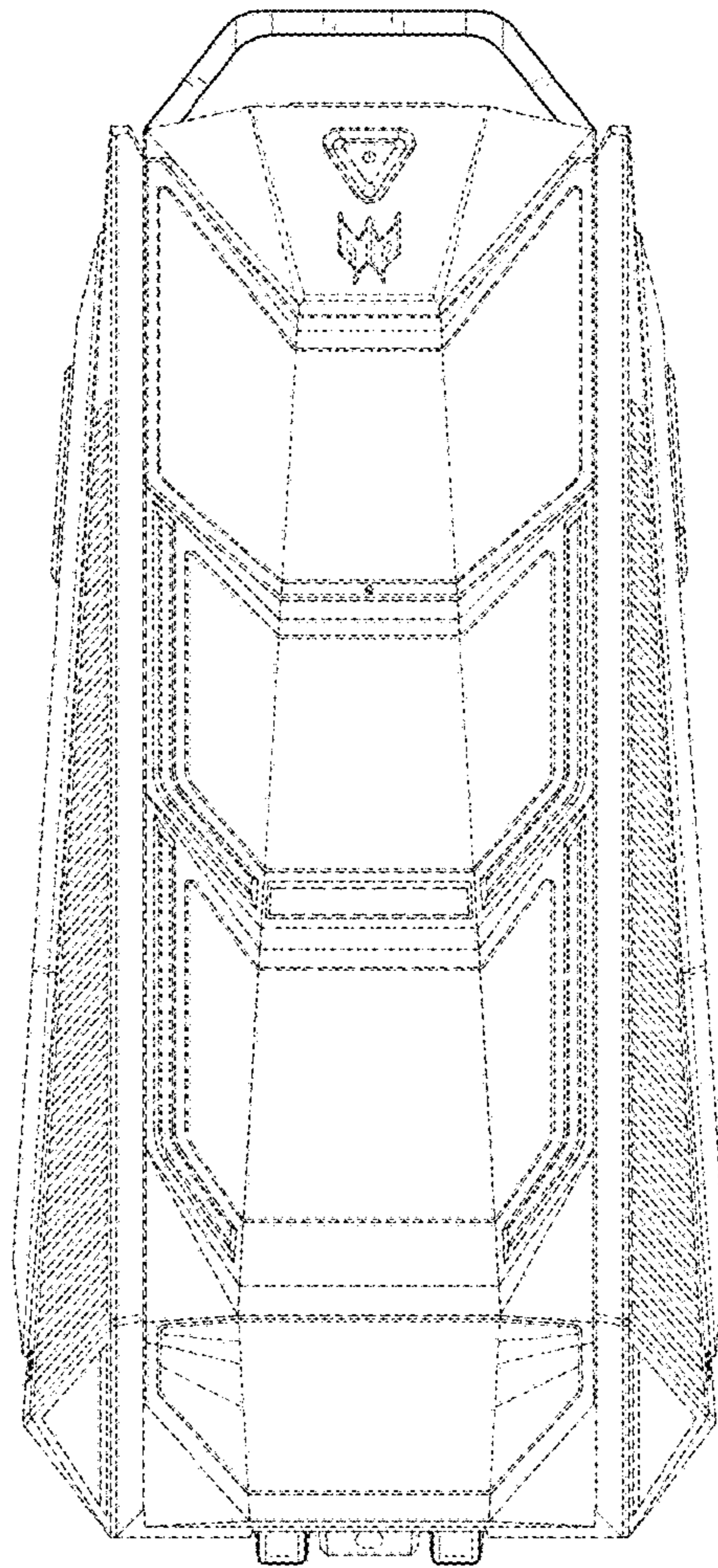


FIG. 3

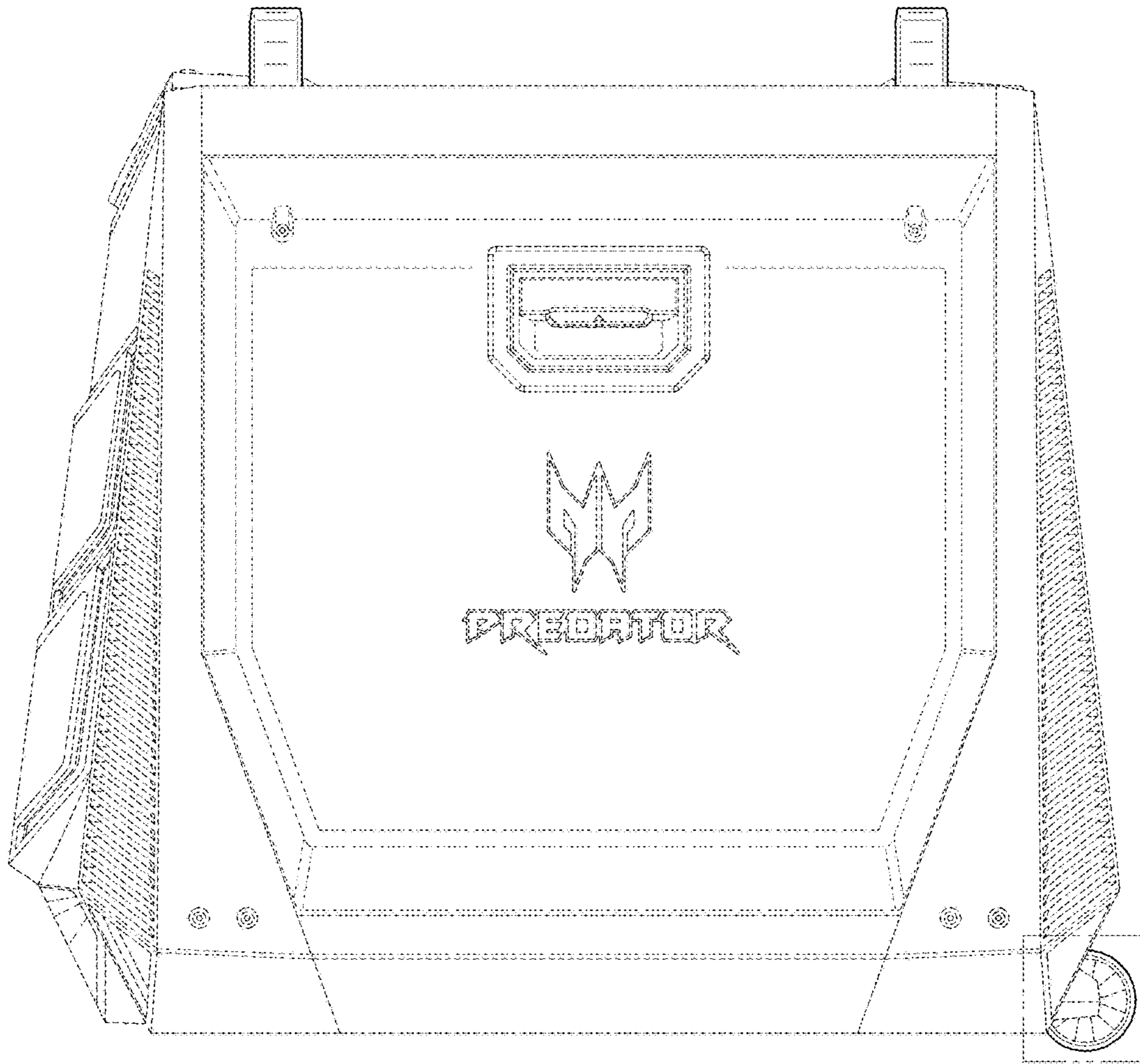


FIG.12

FIG. 4

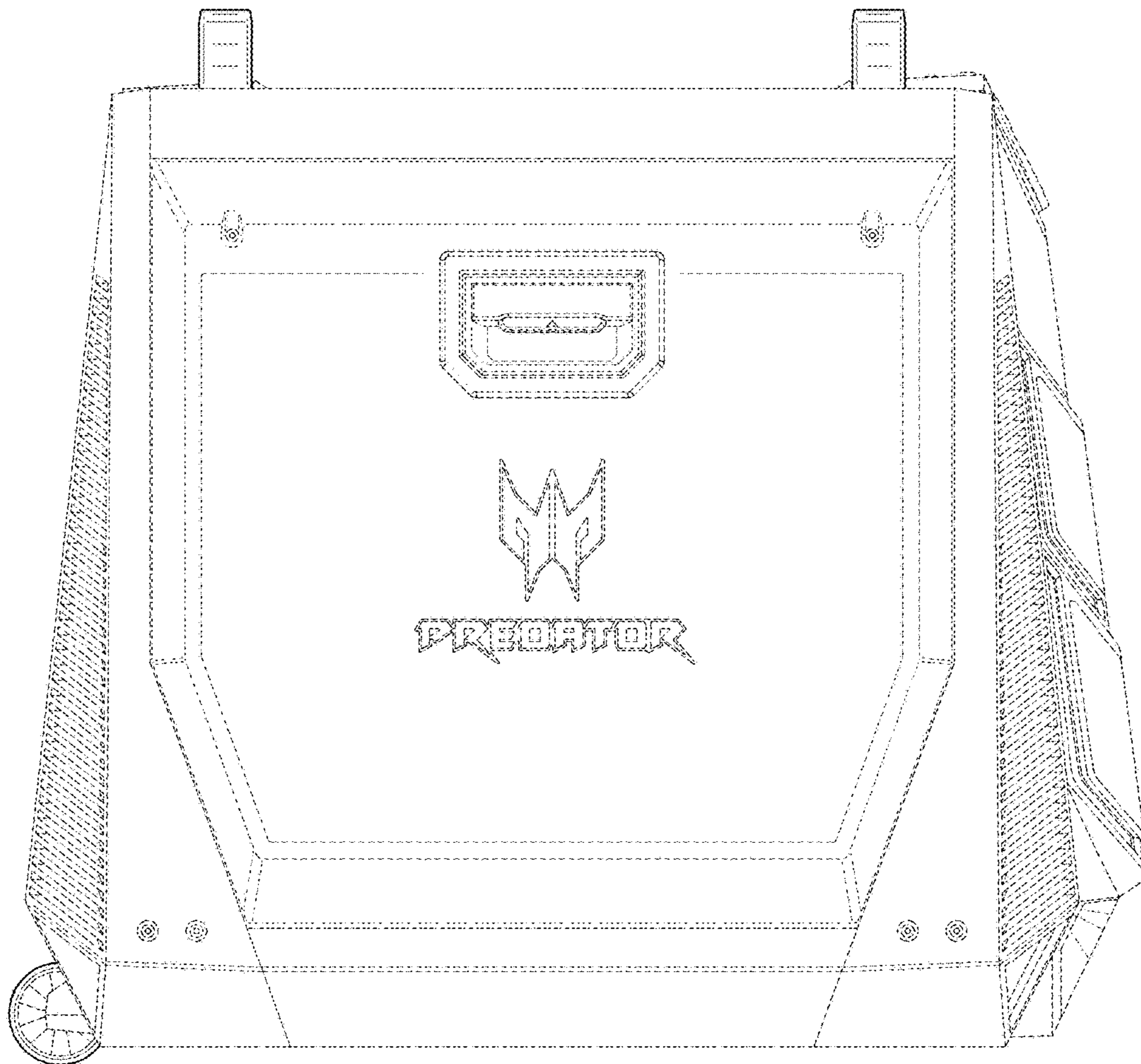


FIG. 5

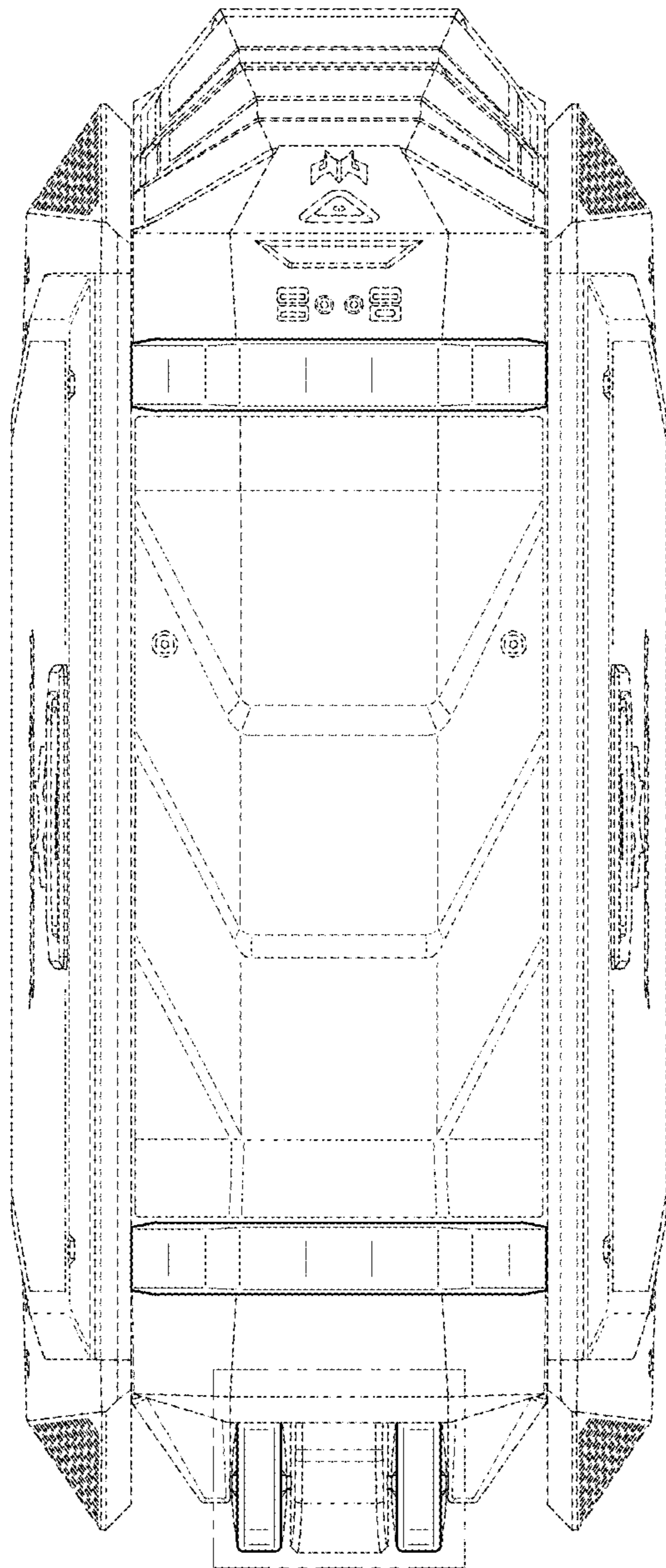


FIG.13

FIG. 6

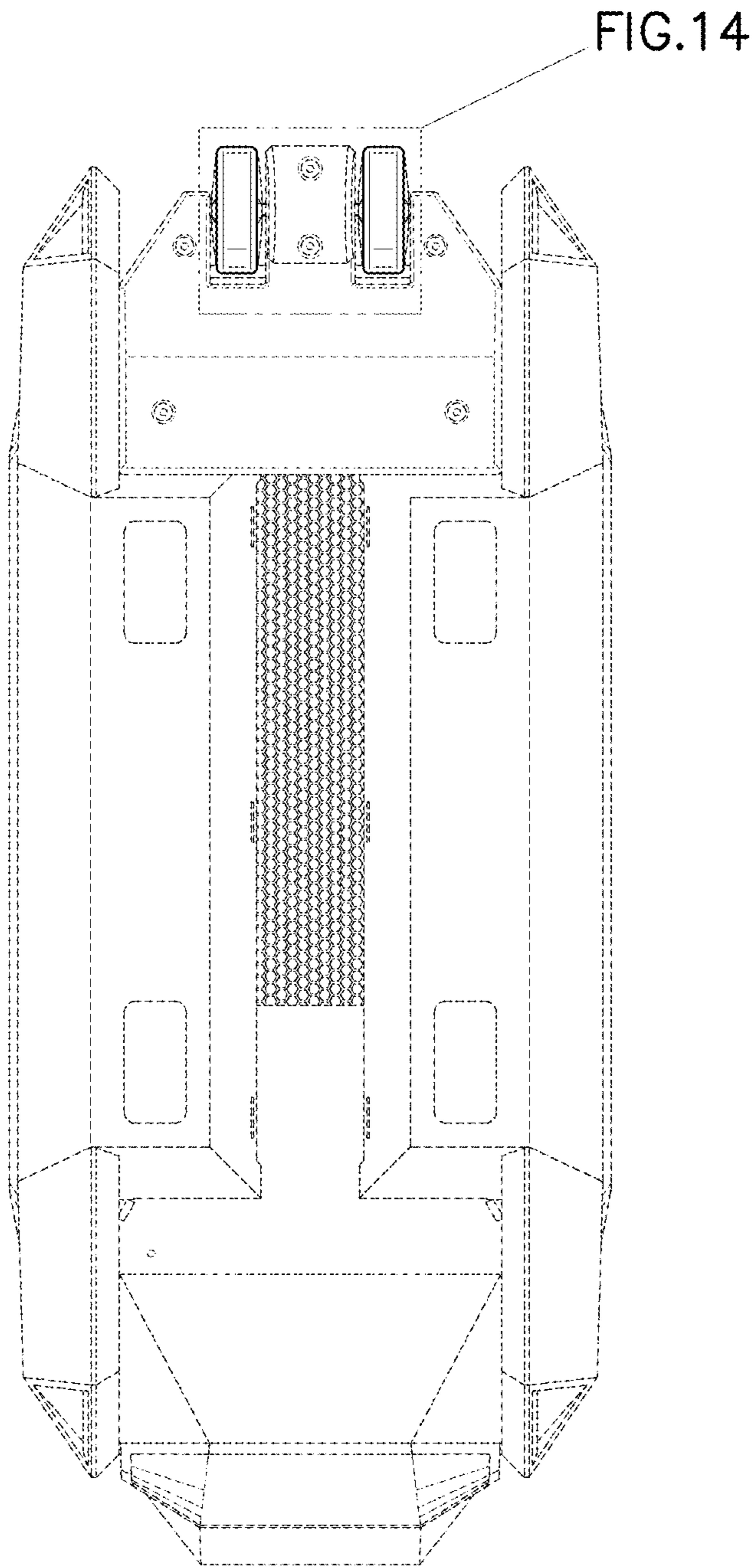


FIG. 7



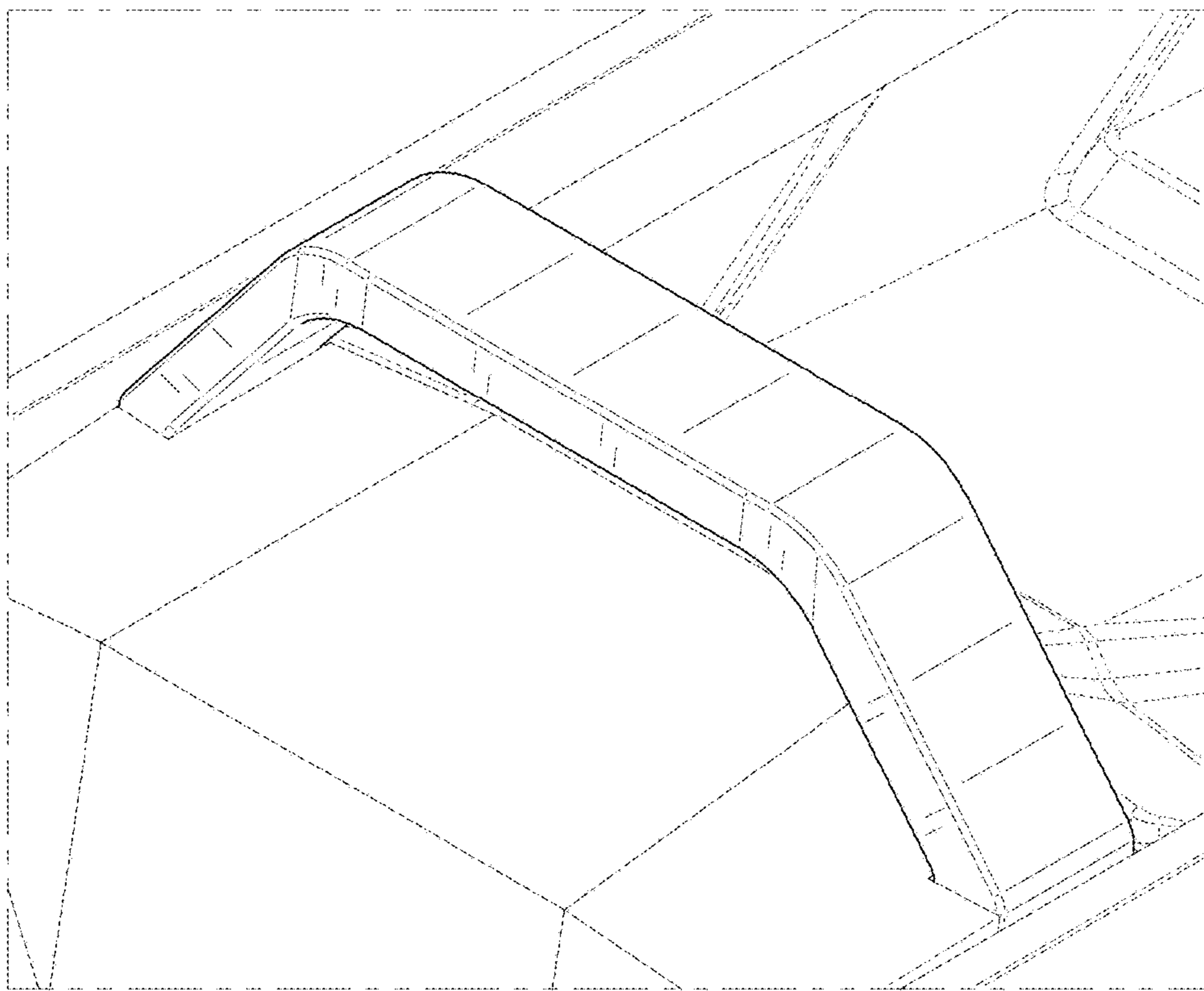


FIG. 8

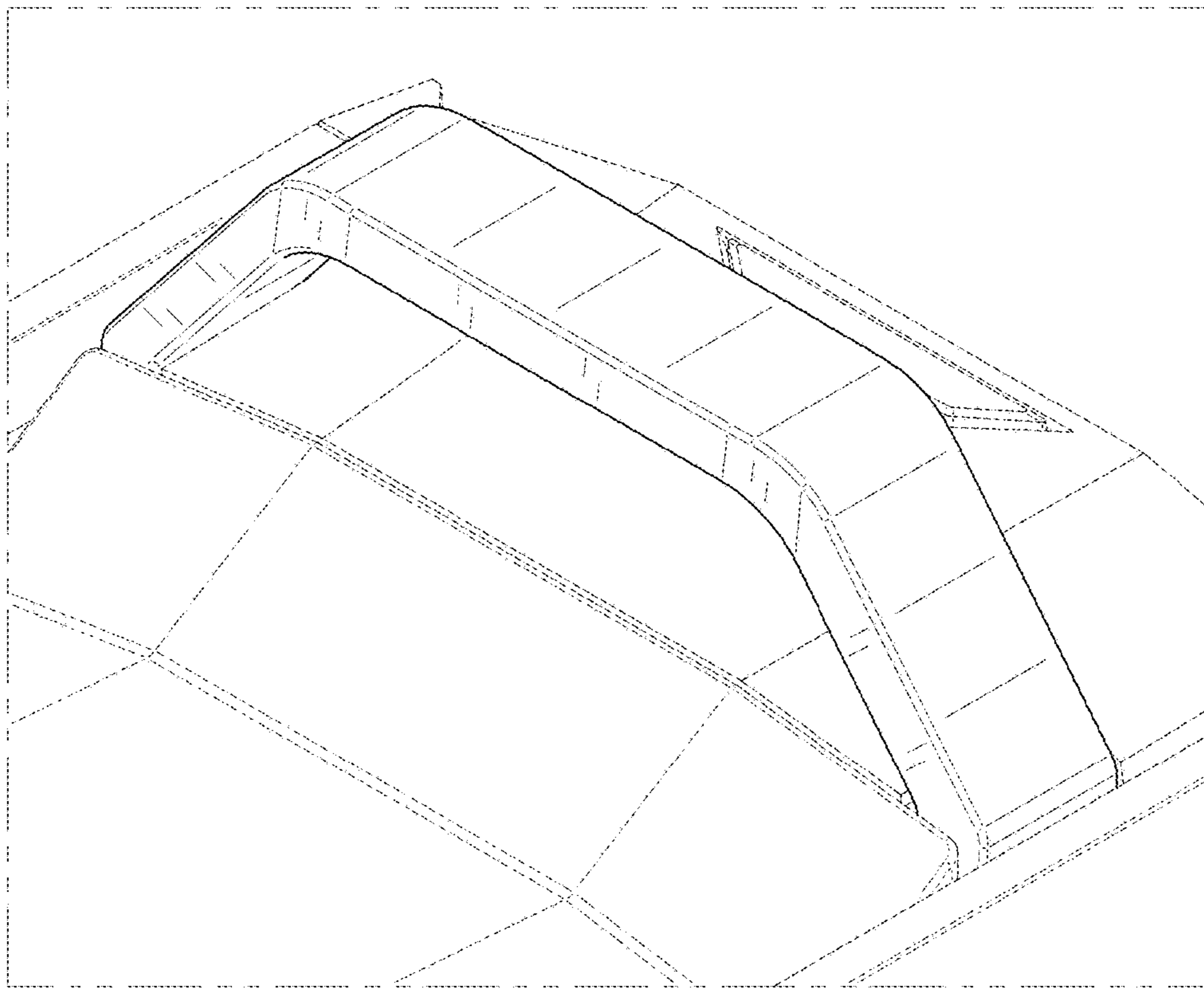


FIG. 9

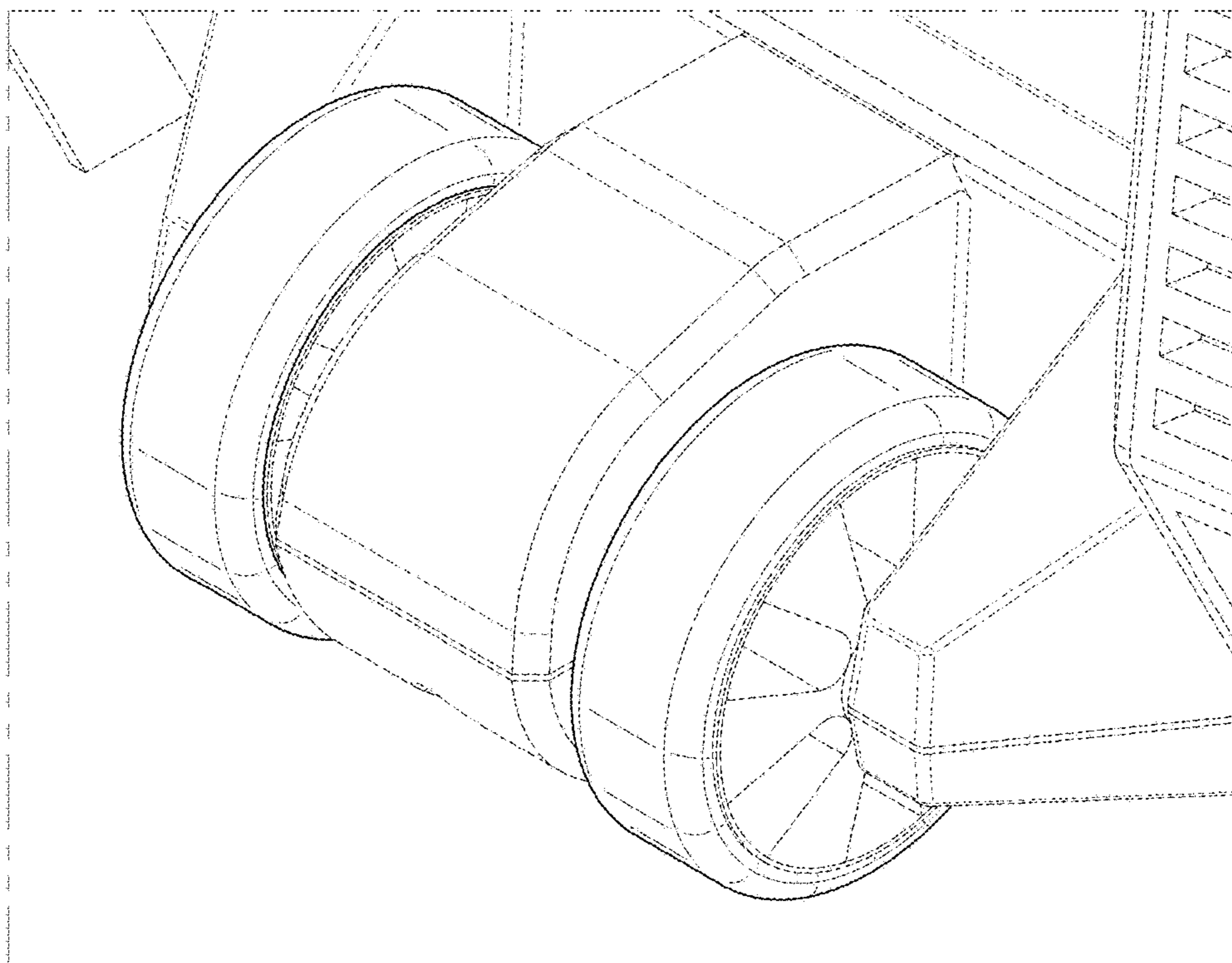


FIG. 10

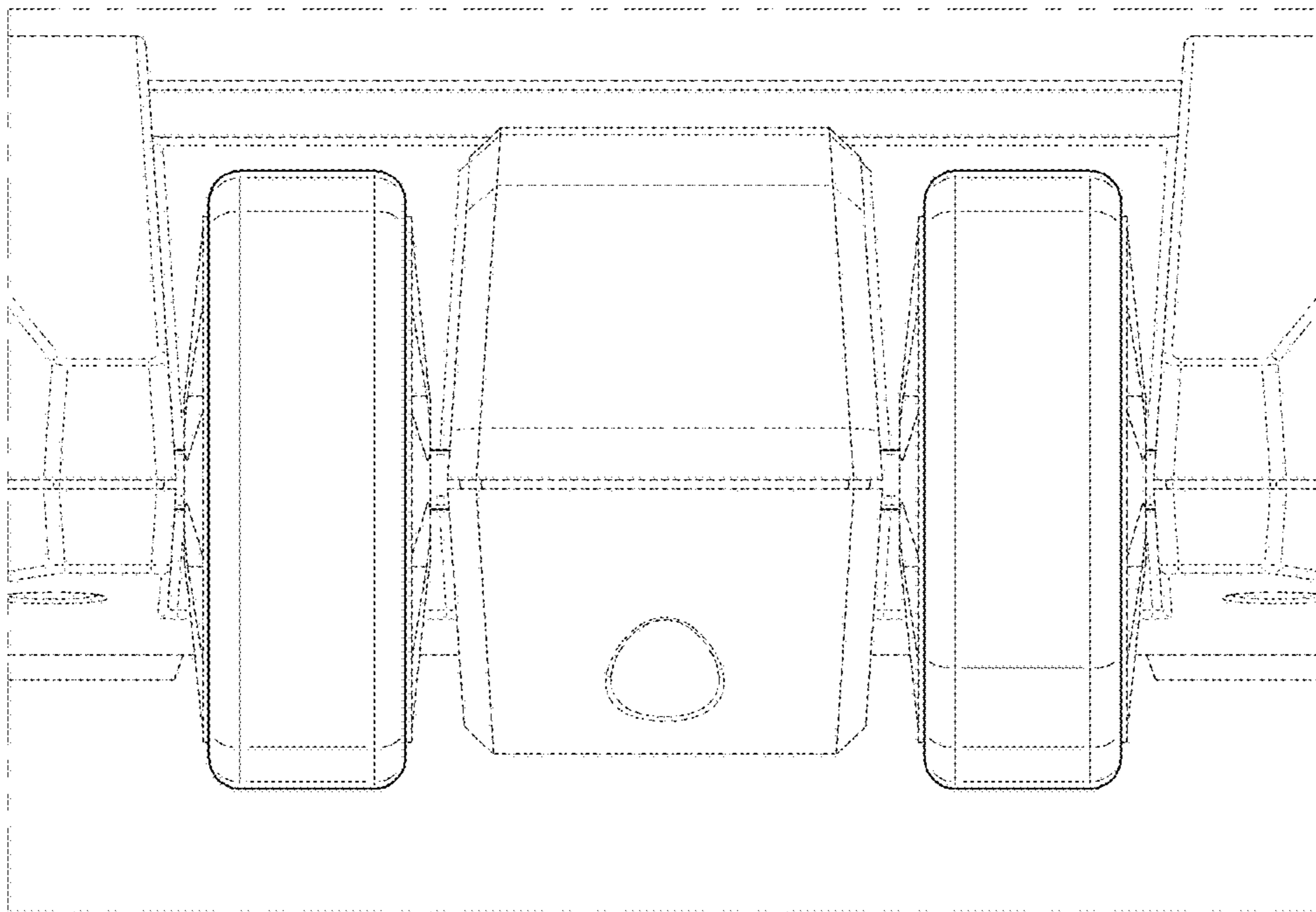


FIG. 11

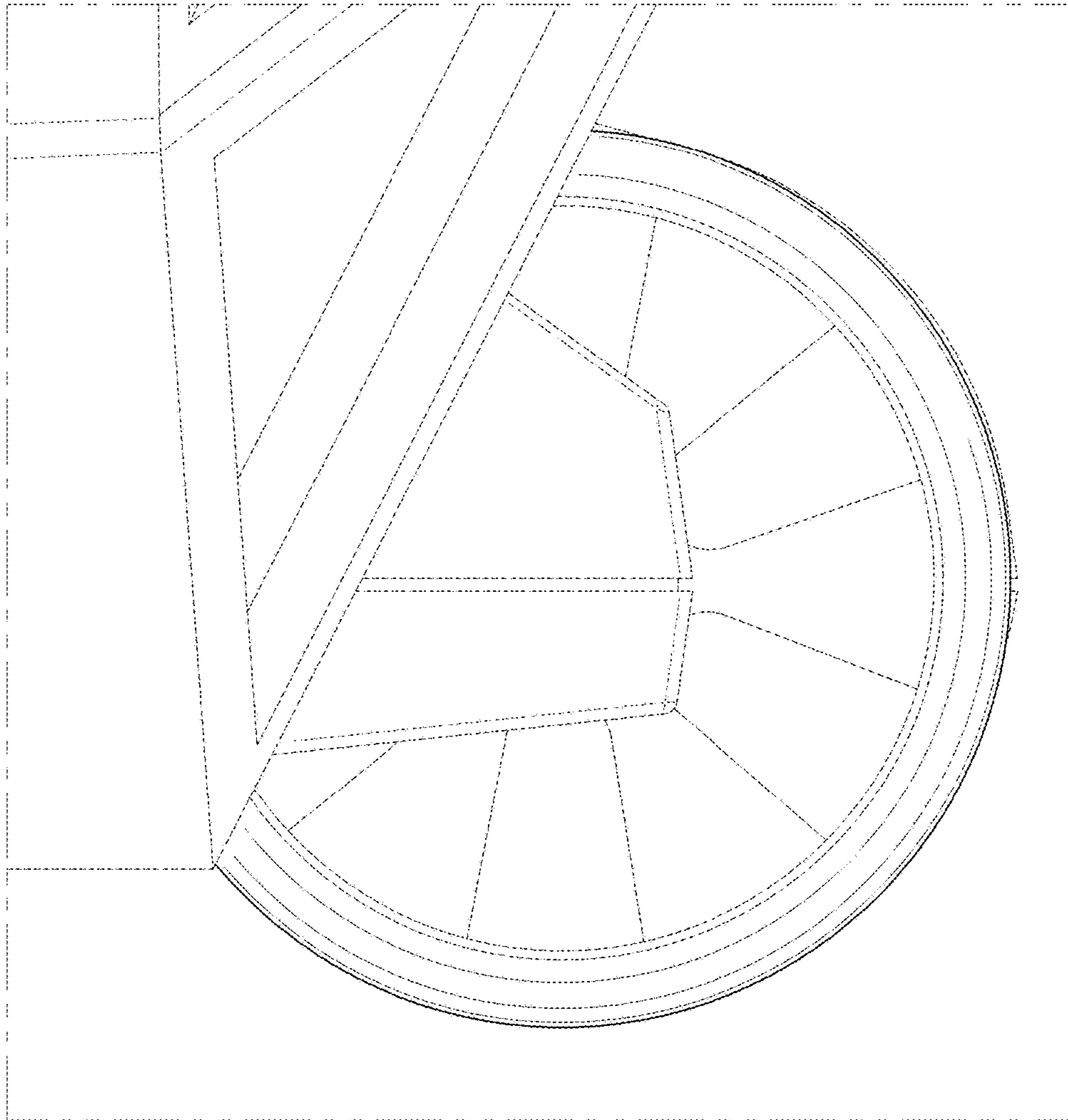


FIG. 12

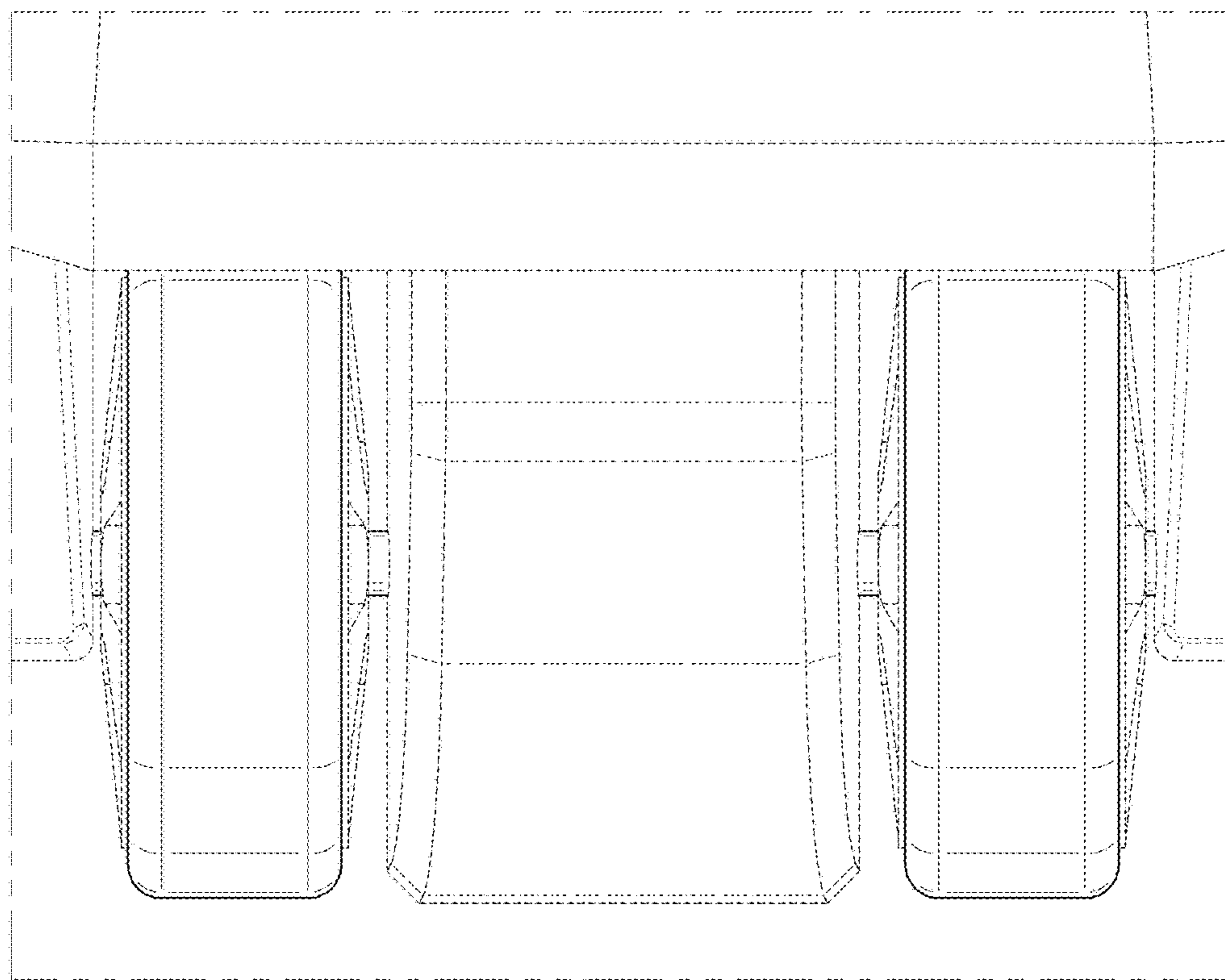


FIG. 13

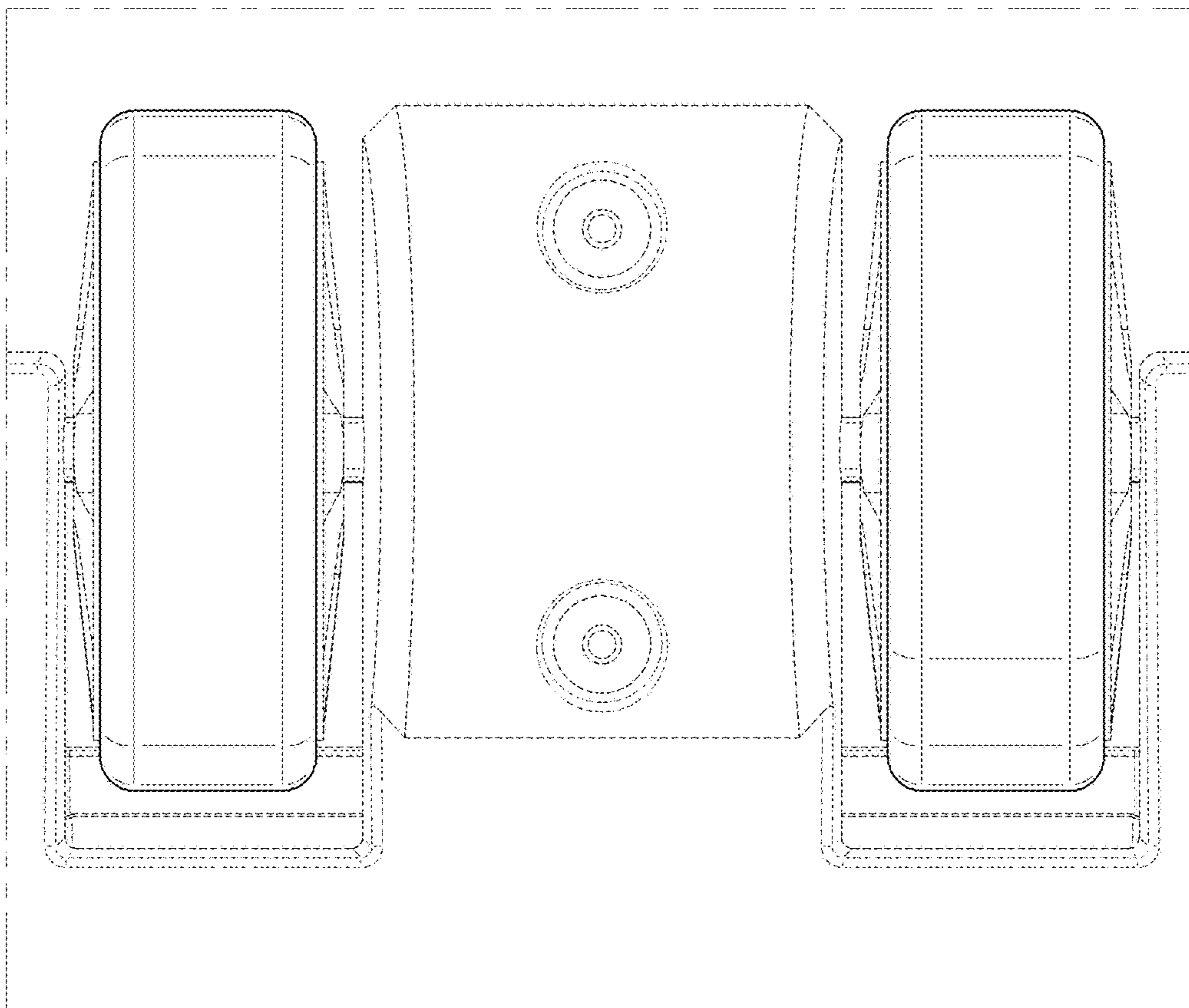


FIG. 14