



US00D863297S

(12) **United States Design Patent** (10) **Patent No.:** **US D863,297 S**  
**Ke** (45) **Date of Patent:** **\*\* Oct. 15, 2019**

(54) **SMART WATCH**

(71) Applicant: **Xiaojun Ke**, Yunmeng (CN)

(72) Inventor: **Xiaojun Ke**, Yunmeng (CN)

(\*\*) Term: **15 Years**

(21) Appl. No.: **29/700,762**

(22) Filed: **Aug. 6, 2019**

(51) **LOC (12) Cl.** ..... **14-02**

(52) **U.S. Cl.**

USPC ..... **D14/344**

(58) **Field of Classification Search**

USPC .... D14/138 r, 144, 341, 344, 358, 388, 218;  
D10/30-39, 70, 98; D11/3, 4, 26, 93-94,  
D11/78.1, 79, 86; D24/167, 169,  
D24/186-187, 164

CPC ..... A41D 1/002; A41D 19/0034; A44C 5/00;  
G01C 22/00; G01C 22/002; G01C 22/006

See application file for complete search history.

(56) **References Cited**

**U.S. PATENT DOCUMENTS**

D621,726 S *	8/2010	Lattmann	.....	D10/38
D721,701 S	1/2015	Al-Nasser		
D731,898 S *	6/2015	Squires	.....	D10/30
D745,868 S *	12/2015	Choi	.....	D10/32
D750,623 S	3/2016	Park et al.		
D751,068 S *	3/2016	Erbeus	.....	D10/38
9,639,119 B2 *	5/2017	Seok	.....	A61B 5/681
D795,719 S *	8/2017	Lean	.....	D10/39
D803,831 S *	11/2017	Kim	.....	D14/344
D806,880 S *	1/2018	Henning	.....	D24/186
D813,229 S *	3/2018	Ling	.....	D14/344
D835,533 S *	12/2018	Zheng	.....	D10/70
2015/0105221 A1 *	4/2015	Roush	.....	G06O 50/22 482/8
2016/0223992 A1 *	8/2016	Seo	.....	G04G 19/10
2017/0340210 A1 *	11/2017	Chuang	.....	A61B 5/0022

**OTHER PUBLICATIONS**

Diggro F07 Smart Sport Bracelet Fitness Tracker, posted as early as Sep. 4, 2018, [retrieved Aug. 29, 2019]. Retrieved from Internet, <URL: [https://www.gearbest.com/smart-watches/pp\\_009617364612.html](https://www.gearbest.com/smart-watches/pp_009617364612.html) >.\*

S2 Smart Wristband Band Heart Rate Monitor Watch, posted Feb. 12, 2018, [retrieved Jul. 27, 2018]. Retrieved from Internet, <URL: <https://www.aliexpress.com/item/S2-Bluetooth-4-0-Smart-Band-Wristband-Heart-Rate-Monitor-Sport-IP67-Waterproof-OLED-Smartband/32780038885.html> >.\*

Ematic TrackBand Wireless Activity and Sleep Tracker (SB312BL)—Wearable Tech—Black, posted Jan. 5, 2015, [retrieved Jul. 27, 2018]. Retrieved from Internet, <URL: <https://www.amazon.com/Ematic-TrackBand-Wireless-Activity-SB312BL/dp/B0002BJYT6> >.\*

\* cited by examiner

*Primary Examiner* — Karen E Kearney

*Assistant Examiner* — Kristin E Reed

(74) *Attorney, Agent, or Firm* — Jie Yang; HYIP

(57) **CLAIM**

The ornamental design for a smart watch, as shown and described.

**DESCRIPTION**

FIG. 1 is a first perspective view of a smart watch showing my design;

FIG. 2 is a second perspective view thereof;

FIG. 3 is a front view thereof;

FIG. 4 is a back view thereof;

FIG. 5 is a left side view thereof;

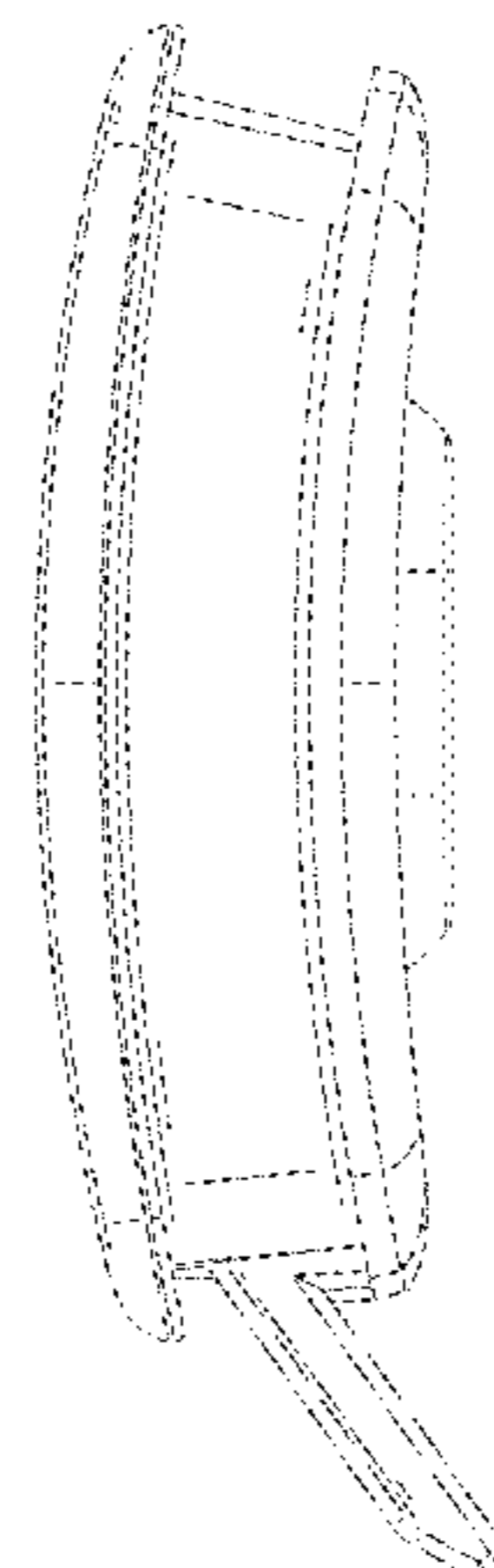
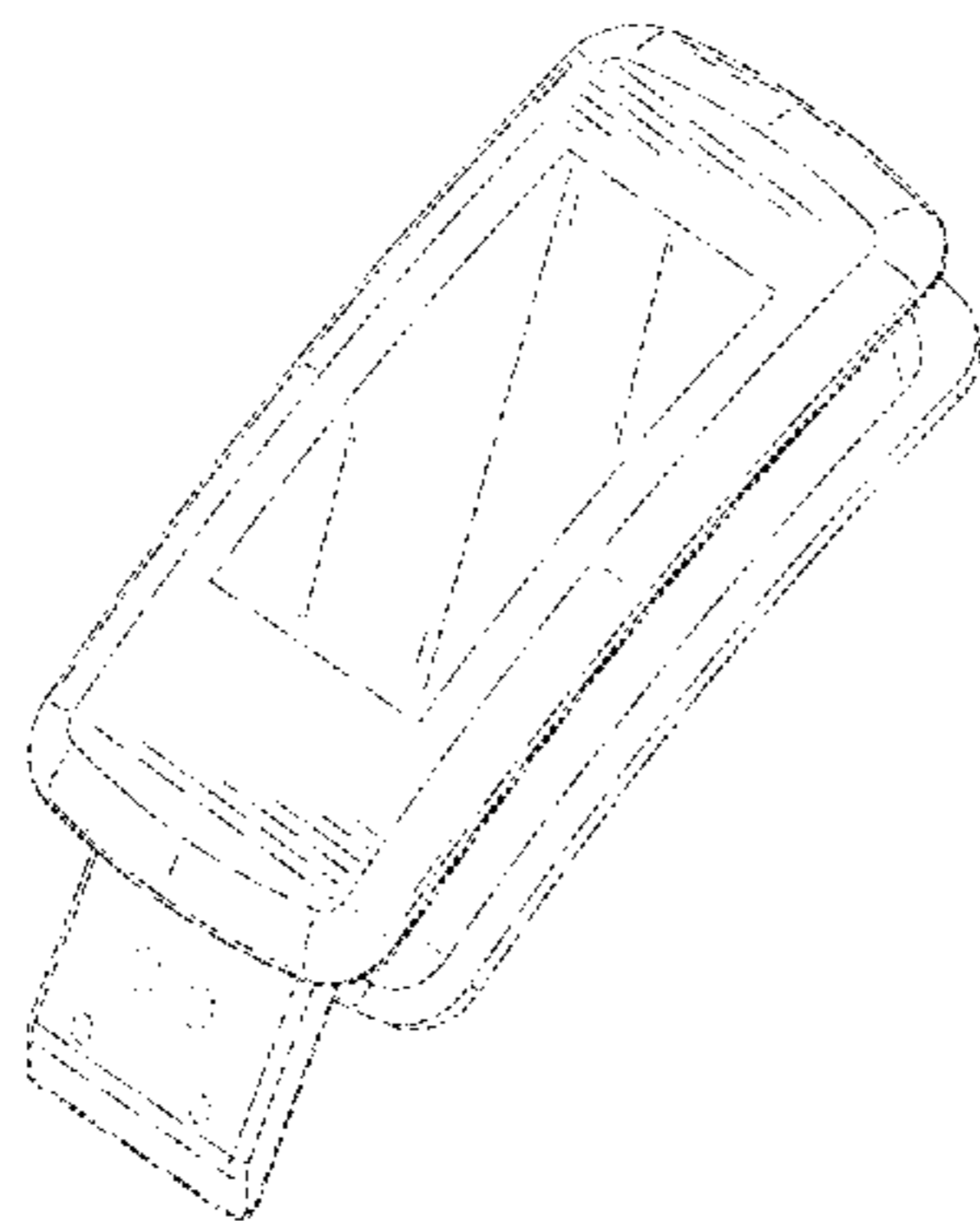
FIG. 6 is a right side view thereof;

FIG. 7 is a top view thereof; and,

FIG. 8 is a bottom view thereof.

The broken lines shown in the drawings depict portions of the smart watch in which the design is embodied that form no part of the claimed design.

**1 Claim, 8 Drawing Sheets**



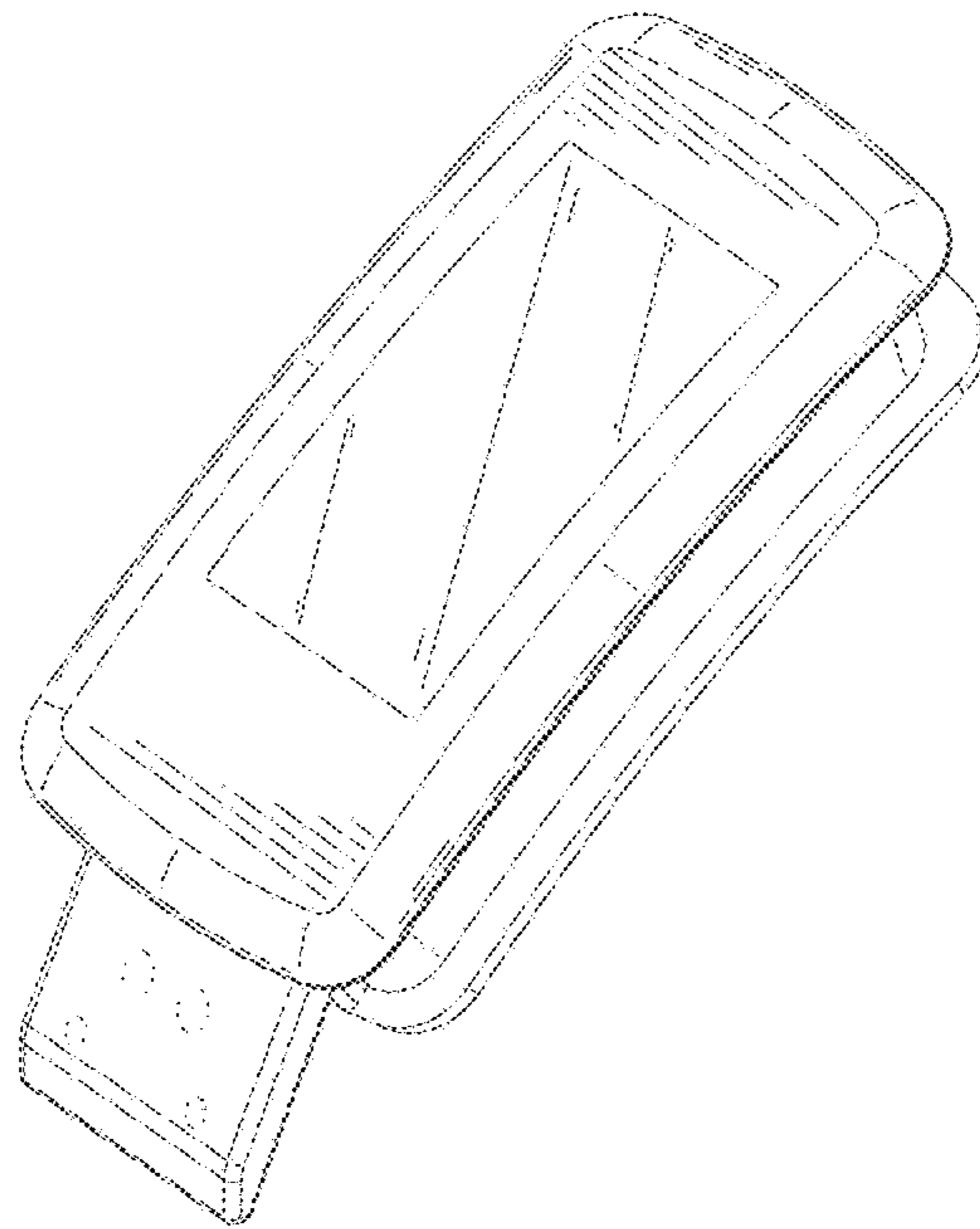


FIG. 1

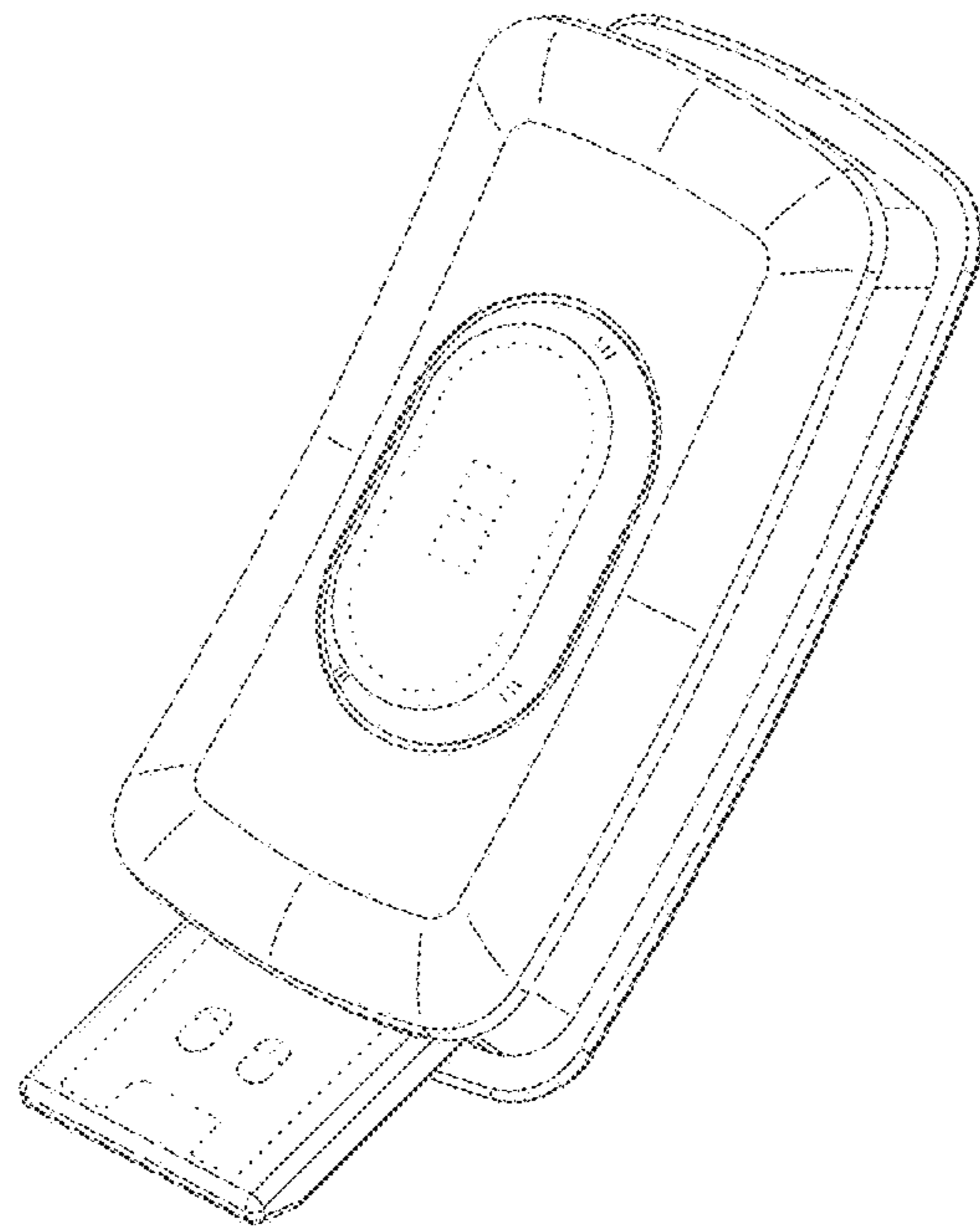


FIG. 2

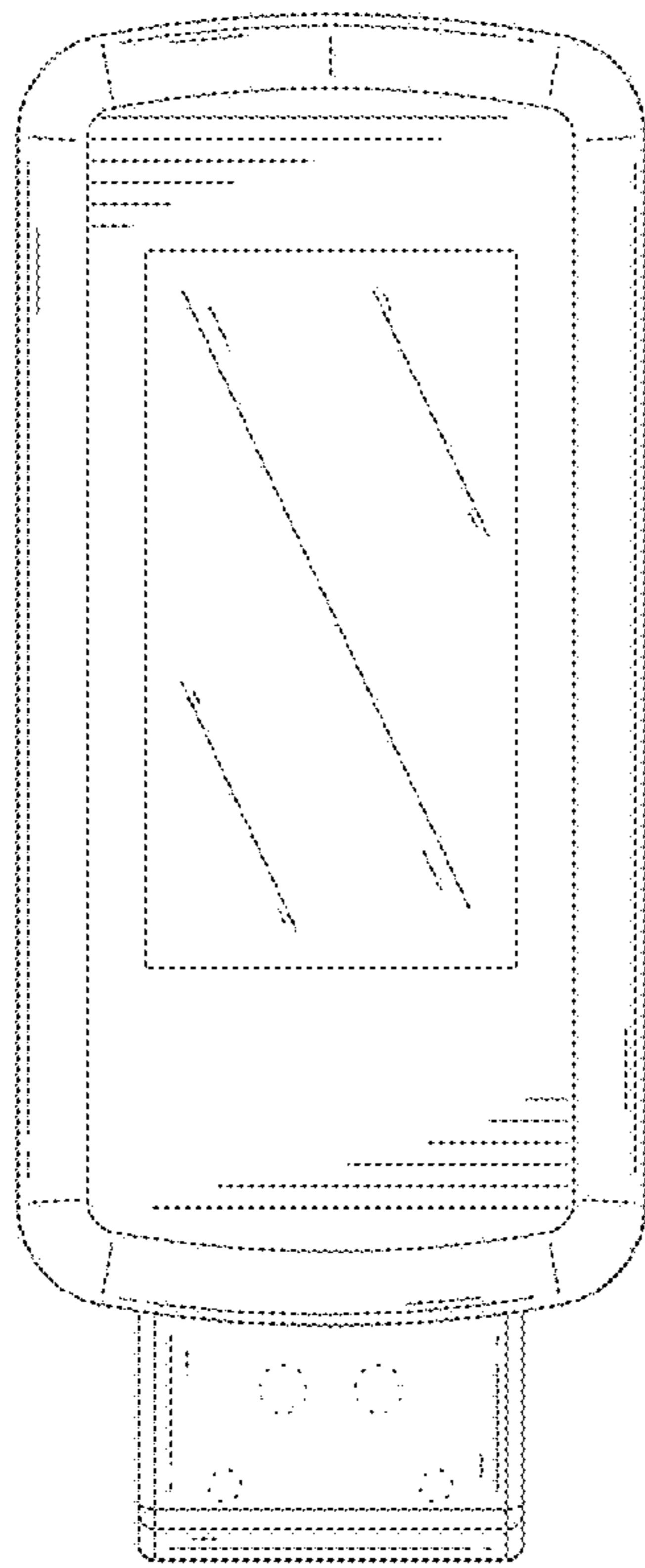


FIG. 3

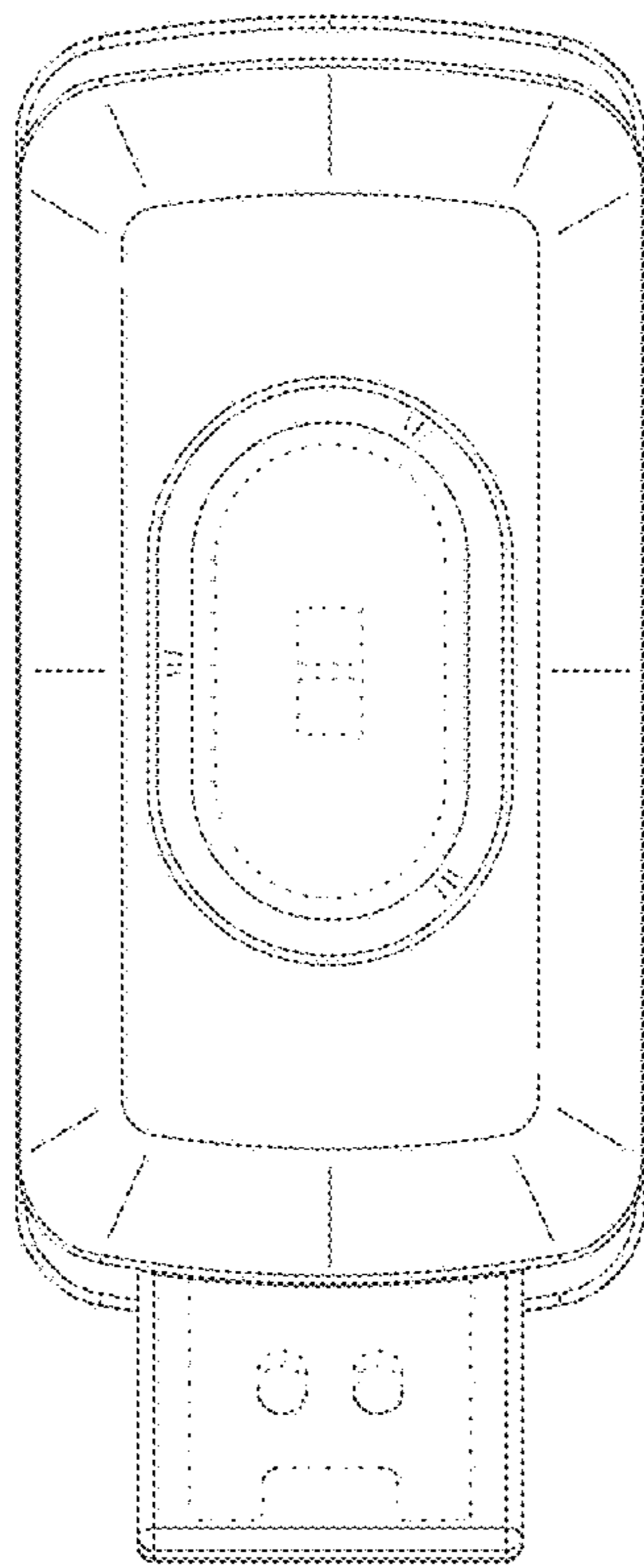


FIG. 4

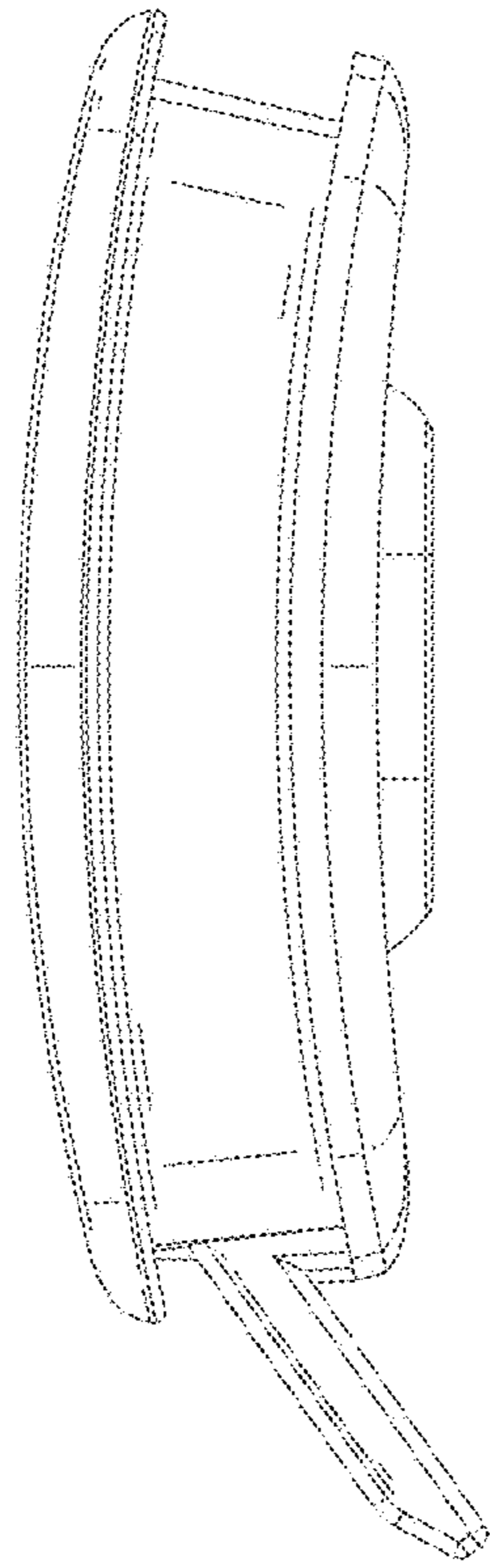


FIG. 5

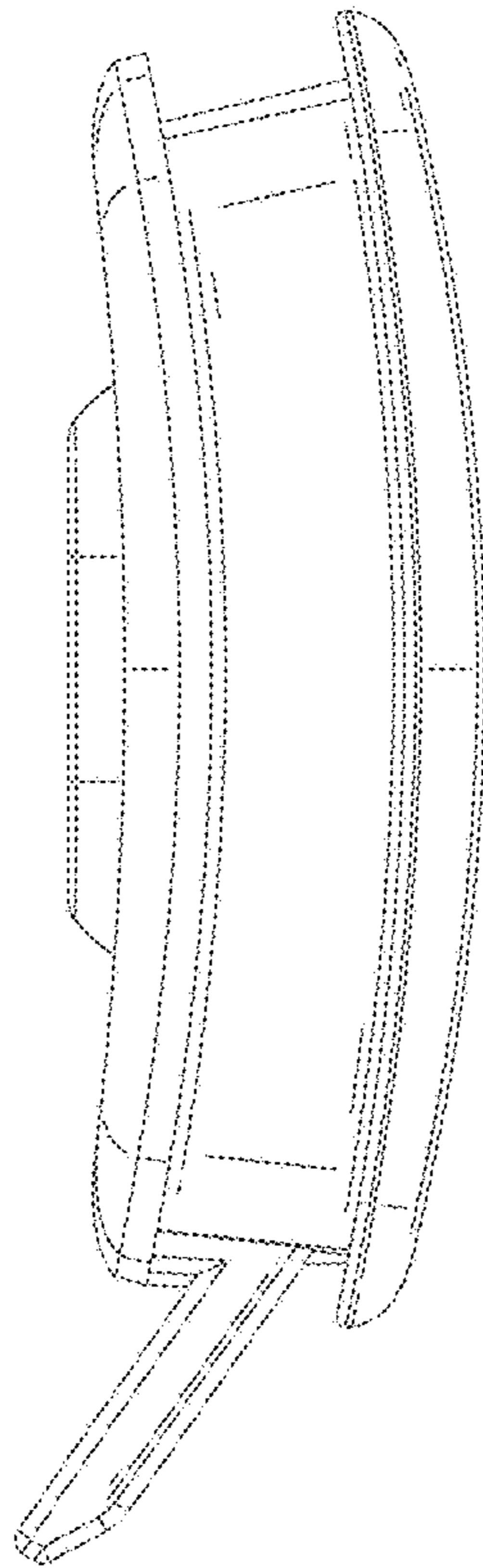


FIG. 6

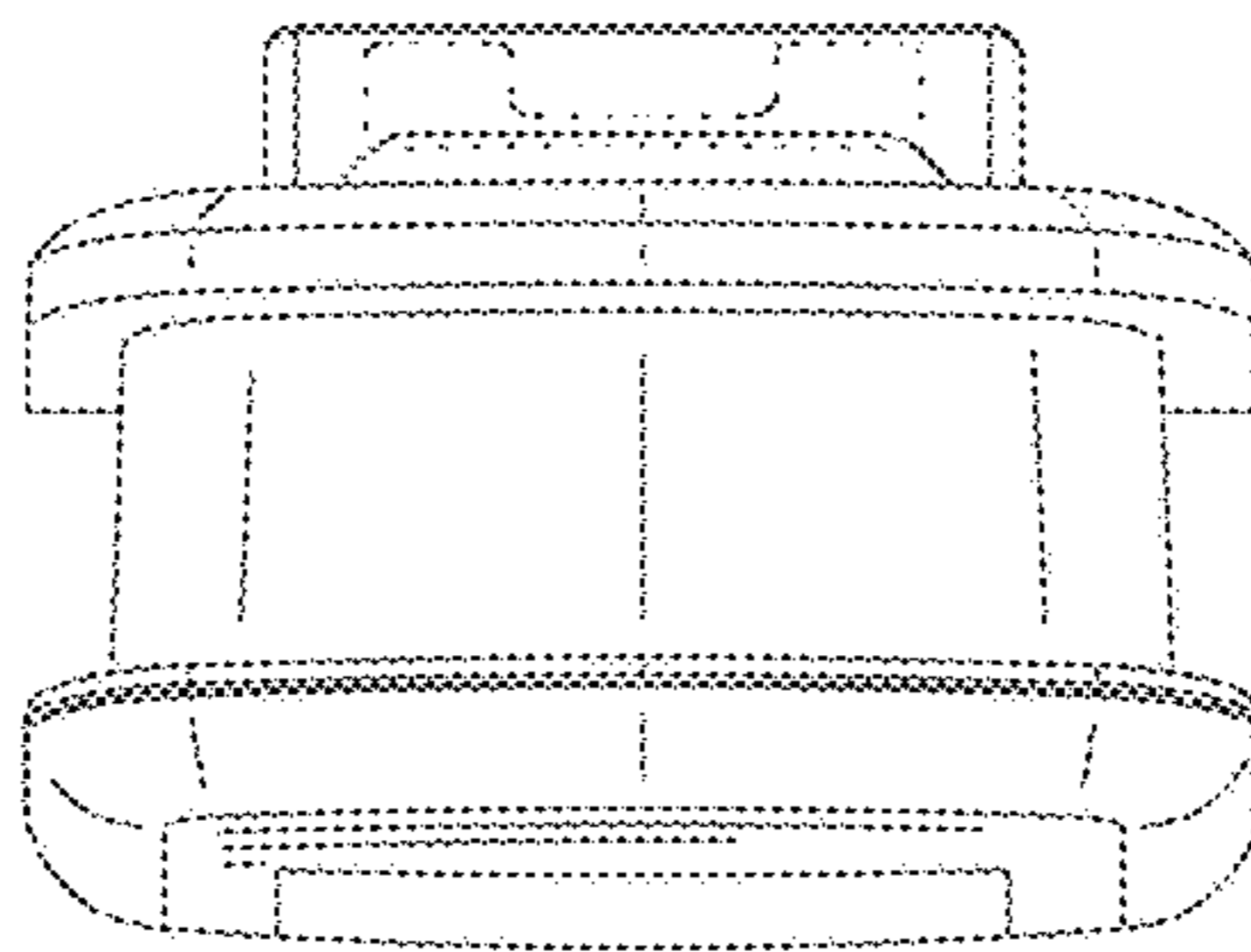


FIG. 7



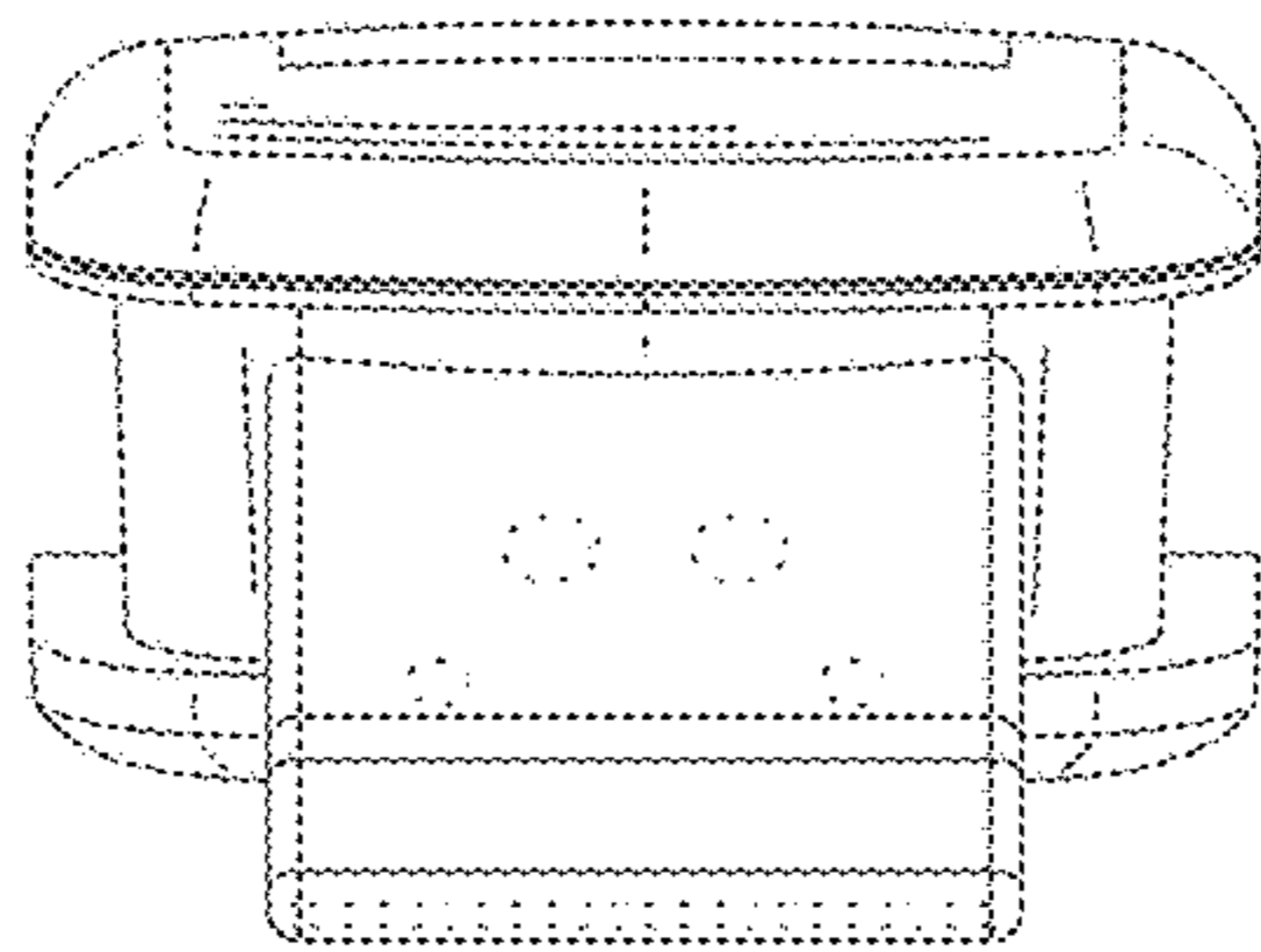


FIG. 8