



US00D863296S

(12) **United States Design Patent** (10) **Patent No.:** **US D863,296 S**
Kern et al. (45) **Date of Patent:** **** Oct. 15, 2019**

(54) **SMART WATCH WITH HEALTH MONITOR SENSOR**

(56)

References Cited

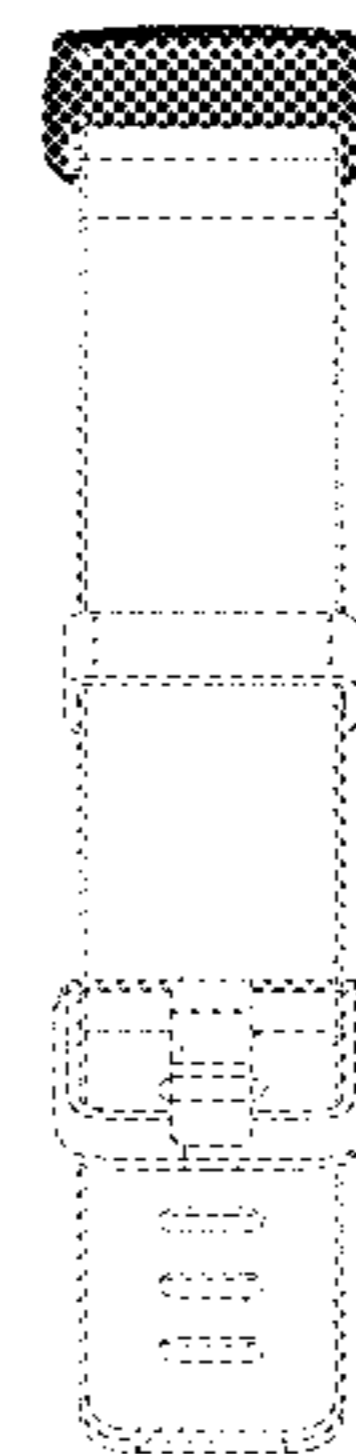
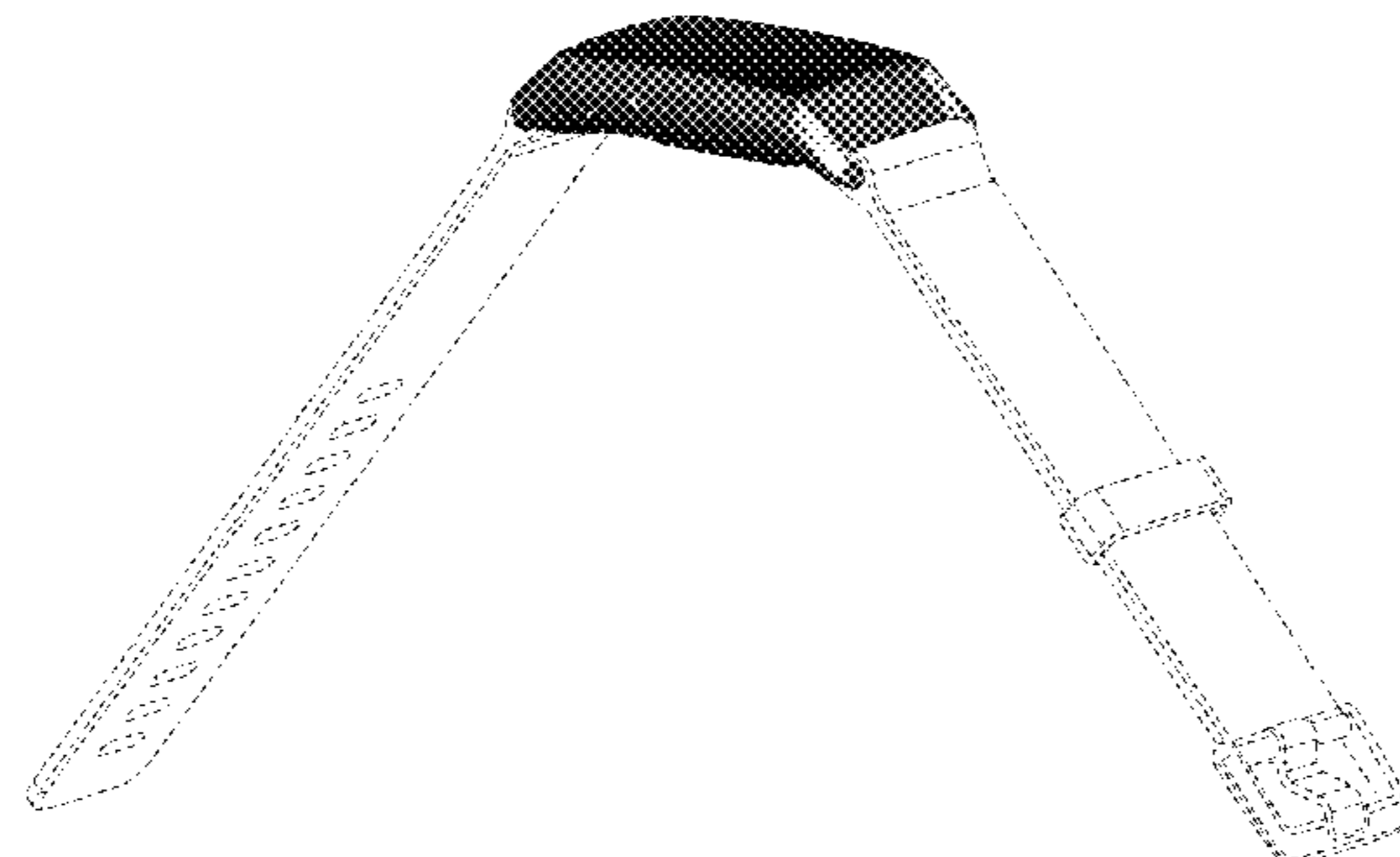
U.S. PATENT DOCUMENTS

- (71) Applicant: **Fitbit, Inc.**, San Francisco, CA (US)
- (72) Inventors: **Anthony Gerald Kern**, Pleasant Hill, CA (US); **Derek Jenchia Loh**, San Carlos, CA (US); **Benjamin Patrick Robert Jean Riot**, San Francisco, CA (US); **Irina Igorevna Kozlovskaya**, San Francisco, CA (US); **Jeffrey Andrew Fisher**, Mountain View, CA (US); **Patrick James Markan**, San Francisco, CA (US)
- (73) Assignee: **Fitbit, Inc.**, San Franc
- (**) Term: **15 Years**
- (21) Appl. No.: **29/664,592**
- (22) Filed: **Sep. 26, 2018**

1,709,179	A	4/1929	Lederer
4,106,677	A	8/1978	Helmso et al.
D259,626	S	6/1981	Wada
D261,733	S	11/1981	Iida
D264,946	S	6/1982	Hirabayashi
D265,063	S	6/1982	Iida
D265,295	S	7/1982	Wada
D267,548	S	1/1983	Wada
D269,767	S	7/1983	Houlihan et al.
D269,951	S	8/1983	Eberhardt et al.
4,417,821	A	11/1983	Herchenbach
D278,685	S	5/1985	Suzuki et al.
D383,073	S	9/1997	Miller
D454,075	S *	3/2002	Tschumy
6,738,317	B2	5/2004	Nussbaum
D519,731	S *	5/2006	Andre et al.
D528,439	S	9/2006	Burton
D528,928	S	9/2006	Burton
D536,265	S	2/2007	Reynoso
D548,129	S	8/2007	Fineide
D566,582	S	4/2008	Genender et al.
D589,375	S	3/2009	Tang
7,575,368	B2	8/2009	Guillaume
D615,427	S	5/2010	Au Yeung
D621,726	S	8/2010	Lattmann
D621,808	S	8/2010	Kim
D628,498	S	12/2010	Arellano
D632,984	S	2/2011	Register et al.
D636,686	S	4/2011	Cobbett et al.
D637,097	S	5/2011	Tseng
D638,725	S	5/2011	Morrison
D638,736	S	5/2011	Cobbett et al.
D645,360	S	9/2011	Kiser et al.
D645,968	S *	9/2011	Kasabach et al.
D667,126	S	9/2012	Cho et al.
8,275,327	B2	9/2012	Yi et al.
D672,255	S	12/2012	Zanella et al.
D699,131	S	2/2014	Marshall et al.
D703,069	S	4/2014	Adams et al.
D712,246	S *	9/2014	Akana et al.
D715,167	S	10/2014	Busse
D717,956	S	11/2014	Alexander et al.
D719,123	S	12/2014	Park et al.
D720,074	S	12/2014	Suvilaakso et al.
D721,701	S	1/2015	Al-Nasser
8,942,070	B1	1/2015	Shah
8,954,135	B2	2/2015	Yuen et al.
D724,468	S	3/2015	Tan et al.
D724,469	S	3/2015	Akana et al.

Related U.S. Application Data

- (63) Continuation of application No. 29/635,224, filed on Jan. 29, 2018.
- (51) **LOC (12) Cl.** **14-02**
- (52) **U.S. Cl.**
USPC **D14/344**; D24/186
- (58) **Field of Classification Search**
USPC .. D14/138 R, 144, 341, 344, 358, 388, 218;
D10/30-39, 70, 98; D11/3, 4, 26, 93-94,
D11/78.1, 79, 86; D24/167, 169,
D24/186-187, 164
CPC A41D 1/002; A41D 19/0034; G06F 1/04;
G06F 1/08; G06F 1/10; G06F 1/14; G06F
1/1626; G06F 1/1628; G06F 1/163; G06F
1/1635; G06F 1/3203; G06Q 20/10;
G06Q 20/12; G06Q 20/108; G06Q
20/145; H04B 1/3833; H04B 1/385;
H04B 1/3888; H04M 1/02; H04M 1/03;
H04M 1/04; H04M 1/05; H04M 1/667;
H04M 1/6058; Y02B 60/1217
See application file for complete search history.



US D863,296 S

Page 2

D727,759 S 4/2015 Martinez et al.
 9,004,329 B2 4/2015 Hsieh et al.
 D728,562 S 5/2015 Park et al.
 D728,624 S 5/2015 Akana et al.
 D729,092 S 5/2015 Phillips et al.
 D729,237 S 5/2015 Fagnot
 D729,651 S 5/2015 Nuovo et al.
 D729,653 S 5/2015 Nuovo et al.
 D730,210 S 5/2015 Song
 D731,482 S 6/2015 Song
 D732,022 S 6/2015 Song
 D733,706 S 7/2015 Song
 D735,191 S 7/2015 Song
 D735,710 S 8/2015 Song
 D737,158 S 8/2015 Akana et al.
 D737,159 S 8/2015 Akana et al.
 D738,236 S 9/2015 Song
 D738,237 S 9/2015 Song
 D738,372 S 9/2015 Song
 D740,693 S 10/2015 Carmichael
 D741,726 S 10/2015 Akana et al.
 D743,278 S 11/2015 Solomon et al.
 D743,820 S 11/2015 Song
 9,189,023 B2 11/2015 Lim
 D744,356 S 12/2015 Akana et al.
 D745,421 S 12/2015 Akana et al.
 D745,515 S 12/2015 Solomon et al.
 D747,313 S 1/2016 Song
 D747,494 S * 1/2016 Tamsiran
 D749,569 S 2/2016 Ji et al.
 D750,622 S 3/2016 Chen et al.
 D750,625 S 3/2016 Solomon et al.
 D751,550 S 3/2016 Solomon et al.
 D752,043 S 3/2016 Ji et al.
 D752,578 S 3/2016 Ji et al.
 D752,583 S 3/2016 Solomon et al.
 9,285,830 B2 * 3/2016 Alcazar
 D755,178 S 5/2016 Solomon et al.
 D756,824 S 5/2016 Akana et al.
 D757,574 S 5/2016 Song
 D757,819 S 5/2016 Akana et al.
 D758,363 S 6/2016 Akana et al.
 D759,011 S 6/2016 Akana et al.
 D759,622 S 6/2016 Dahlberg
 D759,623 S 6/2016 Dahlberg
 D759,826 S 6/2016 Martinez et al.
 D762,210 S 7/2016 Lee et al.
 9,391,307 B2 7/2016 Ishibashi
 D763,107 S 8/2016 Nielsen et al.
 D763,719 S 8/2016 Nielsen et al.
 D764,340 S 8/2016 Akana et al.
 D764,341 S 8/2016 Akana et al.
 D765,072 S 8/2016 Kwon
 D765,655 S 9/2016 Tao
 D765,656 S 9/2016 Forakis
 D766,115 S 9/2016 Ma
 D766,752 S 9/2016 Akana et al.
 D766,893 S 9/2016 Akana et al.
 D771,035 S 11/2016 Akana et al.
 9,508,241 B2 11/2016 DePascale
 D777,590 S 1/2017 Nielsen et al.
 9,551,608 B2 1/2017 Cho et al.
 9,579,022 B2 * 2/2017 Chang et al.
 D784,325 S 4/2017 Kim et al.
 D784,327 S 4/2017 Akana et al.
 D784,542 S * 4/2017 Zwierstra et al.
 D784,831 S 4/2017 Akana et al.
 9,660,682 B2 * 5/2017 Smith et al.
 D789,822 S 6/2017 Akana et al.
 D790,365 S 6/2017 Nuovo et al.
 D790,366 S 6/2017 Nuovo et al.
 D790,374 S 6/2017 Lean et al.
 D790,994 S 7/2017 Nielsen et al.
 D793,565 S 8/2017 Saunamaki et al.
 D795,719 S 8/2017 Lean et al.
 9,743,695 B2 8/2017 Yoo
 D800,172 S 10/2017 Akana et al.
 D802,587 S 11/2017 Lee et al.
 D803,709 S 11/2017 Le Bihan et al.

D805,513 S 12/2017 Akana et al.
 D805,929 S 12/2017 Akana et al.
 D806,589 S 1/2018 Le Bihan et al.
 D806,599 S 1/2018 Nielsen et al.
 D807,765 S 1/2018 Akana et al.
 D808,961 S 1/2018 Lee et al.
 D808,962 S 1/2018 Wu
 D809,144 S 1/2018 Wu
 D809,414 S 2/2018 Komulainen
 D809,509 S * 2/2018 Bosveld et al.
 D809,510 S 2/2018 Rochat et al.
 D811,904 S 3/2018 White et al.
 D813,695 S 3/2018 Nielsen et al.
 D821,247 S 6/2018 Lean et al.
 D822,526 S 7/2018 Lean et al.
 10,016,161 B2 * 7/2018 Townsend et al.
 10,038,361 B2 7/2018 Hajati et al.
 D828,352 S 9/2018 Akana et al.
 D829,123 S 9/2018 Nielsen et al.
 D829,692 S * 10/2018 Paschke et al.
 D830,880 S * 10/2018 Akana et al.
 10,136,543 B1 * 11/2018 Nadkarni et al.
 D846,747 S 4/2019 Lillquist et al.
 2014/0107493 A1 4/2014 Yuen et al.
 2014/0275854 A1 9/2014 Venkatraman et al.
 2014/0316305 A1 10/2014 Venkatraman et al.
 2015/0186609 A1 7/2015 Utter, II
 2016/0183390 A1 6/2016 Yang et al.
 2016/0220865 A1 8/2016 Seo
 2016/0223992 A1 8/2016 Seo et al.
 2016/0255944 A1 9/2016 Baranski et al.
 2016/0374569 A1 12/2016 Breslow et al.
 2017/0065224 A1 3/2017 Rahko et al.
 2017/0086692 A1 3/2017 Freschl et al.
 2017/0100038 A1 4/2017 Narusawa
 2017/0172499 A1 6/2017 Yoo
 2017/0340210 A1 11/2017 Chuang
 2018/0235327 A1 8/2018 Bayley et al.
 2018/0289116 A1 10/2018 McCray et al.
 2018/0294554 A1 * 10/2018 Xu et al.

FOREIGN PATENT DOCUMENTS

CN	104257043 A	1/2015
CN	104665130 A	6/2015
CN	204467157 U	7/2015
CN	206101834 U	4/2017
CN	206866760 U	1/2018
CN	207341307 U	5/2018
CN	207341311 U	5/2018
CN	207613311 U	7/2018

OTHER PUBLICATIONS

Fitbit Charge 3 leak hints at massive changes, posted Aug. 14, 2018, [retrieved Jan. 29, 2019]. Retrieved from Internet, <URL: <https://www.slashgear.com/fitbit-charge-3-leak-hints-at-massive-changes-14541228/>>.*

New Fitbit is a waterproof smartwatch in disguise, posted Aug. 28, 2018, [retrieved Jan. 29, 2019]. Retrieved from Internet, <URL: https://www.fox5vegas.com/archives/new-fitbit-is-a-waterproof-smartwatch-in-disguise/article_277bf36f-2e79-5b48-b490-1abce7603fae.html>.*

U.S. Appl. No. 29/572,967, filed Aug. 1, 2016, applicant Fitbit, Inc.
 U.S. Appl. No. 29/593,260, filed Feb. 7, 2017, applicant Fitbit, Inc.
 U.S. Appl. No. 29/593,261, filed Feb. 7, 2017, applicant Fitbit, Inc.
 U.S. Appl. No. 29/596,216, filed Mar. 6, 2017, applicant Fitbit, Inc.
 U.S. Appl. No. 29/602,541, filed May 1, 2017, applicant Fitbit, Inc.
 U.S. Appl. No. 29/625,052, filed Nov. 7, 2017, applicant Fitbit, Inc.
 U.S. Appl. No. 29/520,607, filed Mar. 16, 2015, applicant Fitbit, Inc.
 U.S. Appl. No. 29/524,027, filed Apr. 15, 2015, applicant Fitbit, Inc.
 U.S. Appl. No. 29/541,368, filed Oct. 2, 2015, applicant Fitbit, Inc.
 U.S. Appl. No. 29/568,588, filed Jun. 20, 2016, applicant Fitbit, Inc.
 U.S. Appl. No. 29/621,239, filed Oct. 5, 2017, applicant Fitbit, Inc.
 U.S. Appl. No. 29/614,464, filed Aug. 18, 2017, applicant Fitbit, Inc.

U.S. Appl. No. 29/548,501, filed Dec. 14, 2015, applicant Fitbit, Inc.
 U.S. Appl. No. 29/564,199, filed May 11, 2016, applicant Fitbit, Inc.
 U.S. Appl. No. 29/614,479, filed Aug. 18, 2017, applicant Fitbit, Inc.
 U.S. Appl. No. 29/522,853, filed Apr. 2, 2015, applicant Fitbit, Inc.
 U.S. Appl. No. 29/522,858, filed Apr. 2, 2015, applicant Fitbit, Inc.
 U.S. Appl. No. 29/540,741, filed Sep. 28, 2015, applicant Fitbit, Inc.
 Acbee Replacement watch band with buckle for Fitbit Alta for sale at www.amazon.com, Website accessed Nov. 7, 2018.
 Perfit rubber watch band with double prong buckle and spring bars for sale at www.amazon.com. Website accessed Nov. 7, 2018.
 Waterproof diving silicone rubber strap with clasp for sale at www.aliexpress.com (Alibaba Group). Website accessed Feb. 7, 2018.
 Damusy Fitness Tracker Smart Band for sale at www.activityandfitnesstrackers.com. Website accessed Nov. 10, 2018.
 Volemer F09HR Smart Band Fitness Tracker for sale at www.epaky.com. Website accessed Nov. 10, 2018.
 “First Look: Fitbit announces new Fitbit Alta activity tracker”, published Feb. 3, 2016 on DC Rainmaker (www.dcrainmaker.com). Website accessed Nov. 10, 2018.
 Fitbit Alta—for sale by Fitbit (<https://www.fitbit.com/alta>). Website accessed Mar. 27, 2017.
 Fitbit Alta replacement bands—for sale at www.amazon.com. Website accessed Jul. 17, 2017.
 Fitbit Alta review published Mar. 25, 2016 on C|Net (www.cnet.com). Website accessed 2018-11-110.
 Fitbit Charge 2 Heart Rate and Fitness Wristband for sale at www.amazon.co.uk. Website accessed Feb. 7, 2018.
 Fitbit Flex Wireless Activity and Sleep Wristband for sale at www.amazon.com. Listed at least as early as Apr. 16, 2013.
 Fitbit Ionic Accessory Band for sale at Nordstrom (<https://shop.nordstrom.com>). Website accessed Nov. 7, 2018.
 Fitbit Alta HR Bands for sale at The Fitness Equipment Shop (www.thefitnessequipmentshop.com). Website accessed Nov. 17, 2018.
 Luminox Replacement Rubber Watch Band Strap for sale at Walmart (www.walmart.com). Website accessed Nov. 7, 2018.
 “MPOW DS-D6 Fitness Band Review” published Jan. 13, 2018 on ZeroAir (www.zeroair.wordpress.com). Website accessed Nov. 10, 2018.
 “Fitbit Product Teardown” on Pinterest, pinned from www.ifixit.com. Website accessed Feb. 27, 2017.
 Pro Elite Medicine Ball by Power Systems (www.power-systems.com). Website accessed Feb. 7, 2018.
 Replacement metal watch band Connector for Fitbit Alta/Fitbit Alta HR for sale at Banggood (www.banggood.com). Website accessed Nov. 10, 2018.
 Citrine by the Stones Sol Forearm Band for sale at Shopbop (www.shopbop.com). Website accessed Nov. 11, 2018.
 Gorjana Mia Wrap Cuff for sale at Shopbop (www.shopbop.com). Website accessed Nov. 11, 2018.
 Marc by Marc Jacobs Engraved Turlock Leather Bangle Bracelet for sale at Shopbop (www.shopbop.com). Website accessed Nov. 11, 2018.
 Monserat de Lucca Measuring Tape Bracelet for sale at Shopbop (www.shopbop.com). Website accessed Nov. 11, 2018.
 Suppa G-Shock Strap Adapters, online at least as early as Dec. 13, 2013. Accessed Feb. 7, 2017.
 Suunto Core watchband on Instagram. Accessed Feb. 7, 2017.
 iGK Fitbit Alta Bands—replacement sport strap bands for Fitbit Alta for sale at Walmart (www.walmart.com). Website accessed Nov. 7, 2018.

Microsoft Band 2 Fitness Tracker with Curved Screen Announced, posted Oct. 7, 2015, [retrieved Jun. 5, 2019]. Retrieved from Internet, < URL: <https://gadgetsin.com/microsoft-band-2-fitness-tracker-with-curved-screen-announced.html> >.

The New Fitbit Inspire HR Is Finally Available to the Public!, posted Mar. 6, 2019, [retrieved Jun. 5, 2019]. Retrieved from Internet, <URL: <https://anyeverafter.com/new-fitbit-inspire-hr-smartwatch/> >.

Fitbit Inspire HR review: One size, many styles, fit all, posted May 24, 2019, [retrieved Jun. 5, 2019]. Retrieved from Internet, <URL:<https://www.macworld.com/article/3397320/fitbit-inspire-hr-review.html>>.

Samsung’s 6th smartwatch has a 3G modem and a massive curved display, posted Aug. 28, 2014, [retrieved Jun. 5, 2019]. Retrieved from Internet, <U RL:<https://arstechnica.com/gadgets/2014/08/samsungs-6th-smartwatch-has-a-3g-modem-and-a-massive-curved-display/> >.

* cited by examiner

Primary Examiner — Barbara Fox

Assistant Examiner — Kristin E Reed

(74) *Attorney, Agent, or Firm* — Polson Intellectual Property Law, PC; Margaret Polson

(57)

CLAIM

The ornamental design for a smart watch with health monitor sensor, as shown and described.

DESCRIPTION

FIG. 1 is a top, right side isometric view of a smart watch with health monitor sensor showing our design, in a first embodiment.

FIG. 2 is a right side elevation view of FIG. 1.

FIG. 3 is a left side elevation view of FIG. 1.

FIG. 4 front side elevation view of FIG. 1.

FIG. 5 is a back side elevation view of FIG. 1.

FIG. 6 is a top plan view of FIG. 1.

FIG. 7 is a bottom plan view of FIG. 1.

FIG. 8 is a bottom, left side isometric view of FIG. 1.

FIG. 9 is a top, right side isometric view of the smart watch with health monitor sensor showing our new design, in a second embodiment.

FIG. 10 is a right side elevation view of FIG. 9.

FIG. 11 is a left side elevation view of FIG. 9.

FIG. 12 front side elevation view of FIG. 9.

FIG. 13 is a back side elevation view of FIG. 9.

FIG. 14 is a top plan view of FIG. 9.

FIG. 15 is a bottom plan view of FIG. 9; and,

FIG. 16 is a bottom, left side isometric view of FIG. 9.

The features shown in broken line in the drawings depict environmental subject matter only and form no part of the claimed design.

1 Claim, 14 Drawing Sheets

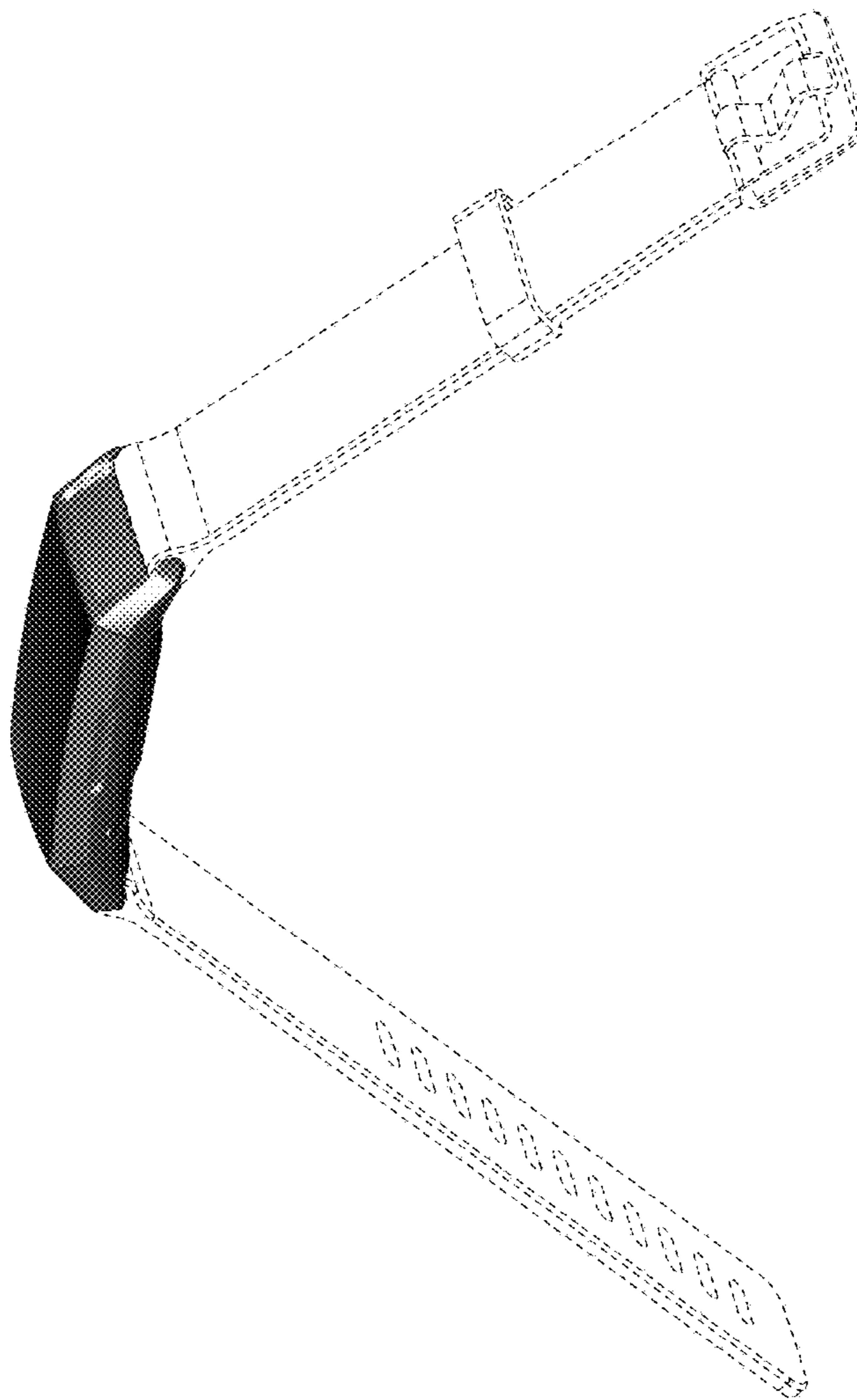


FIG. 1

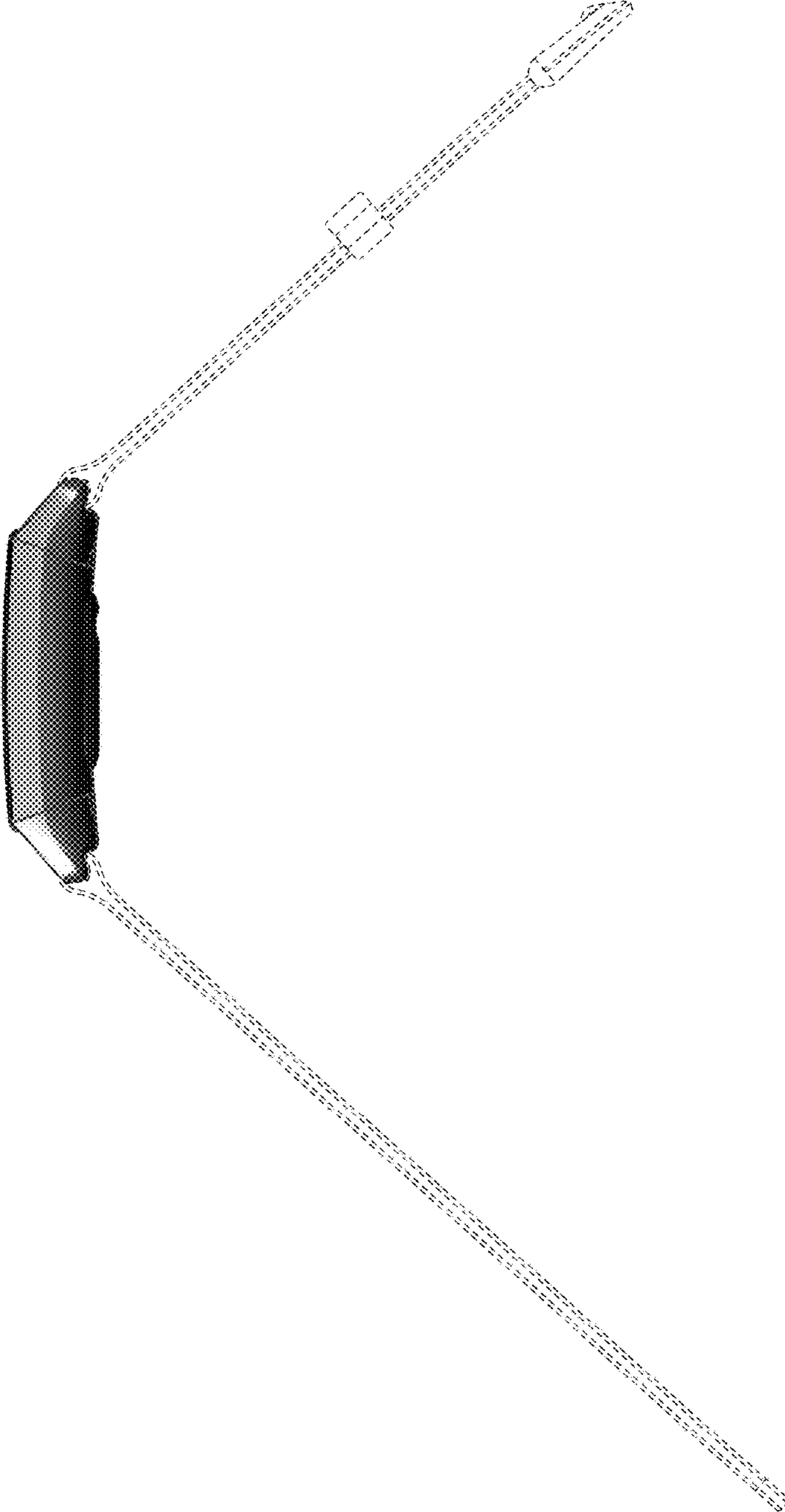


FIG. 2

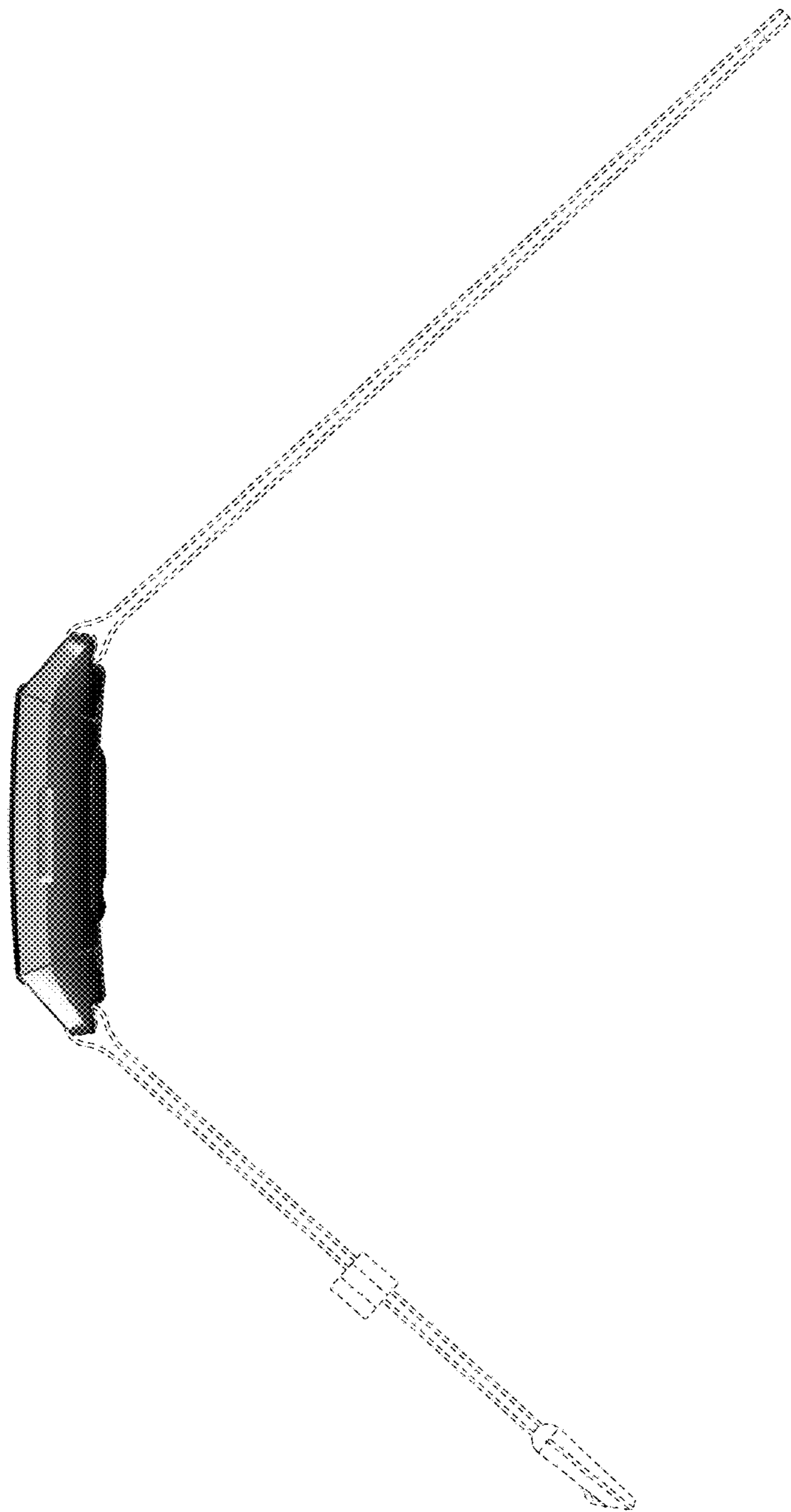


FIG. 3

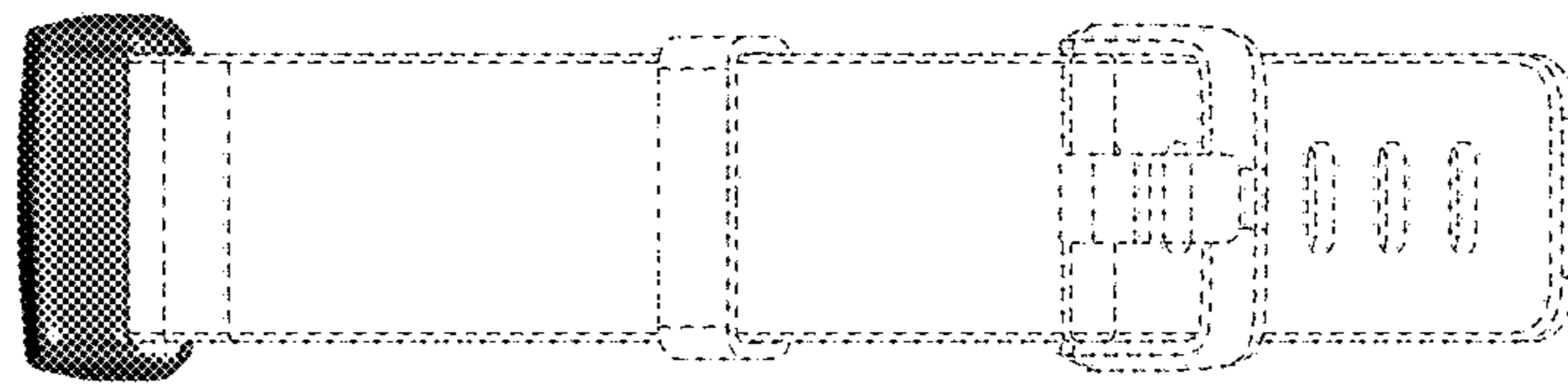


FIG. 4

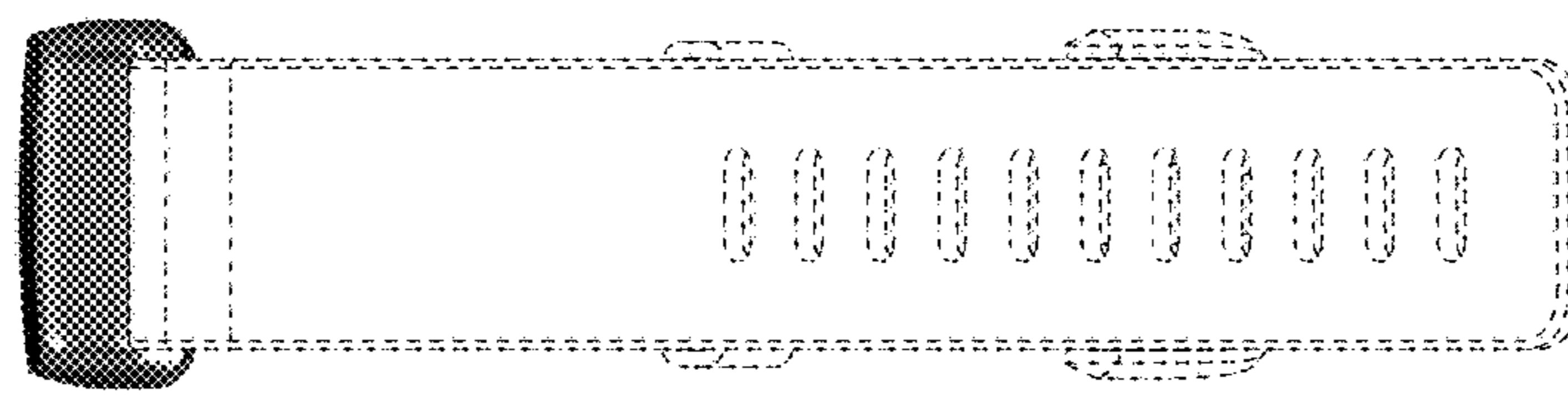


FIG. 5

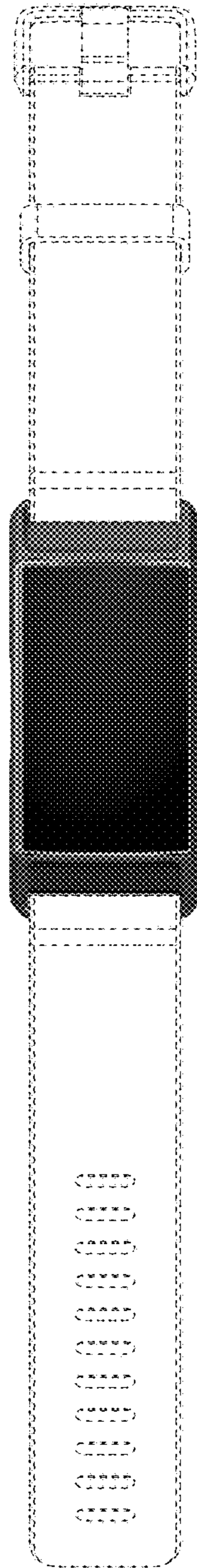


FIG. 6

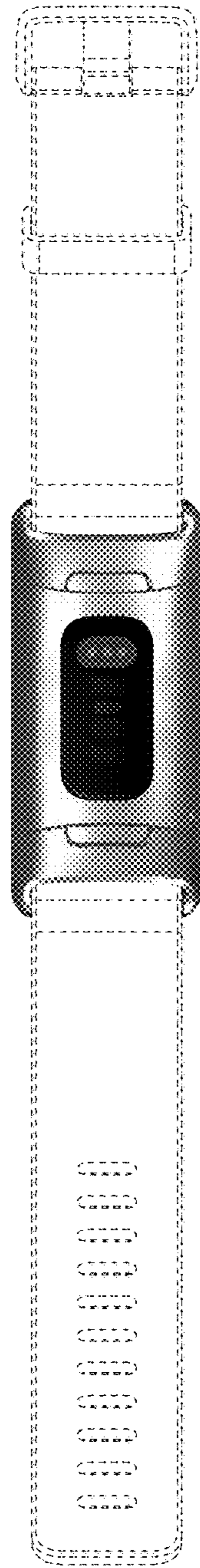


FIG. 7

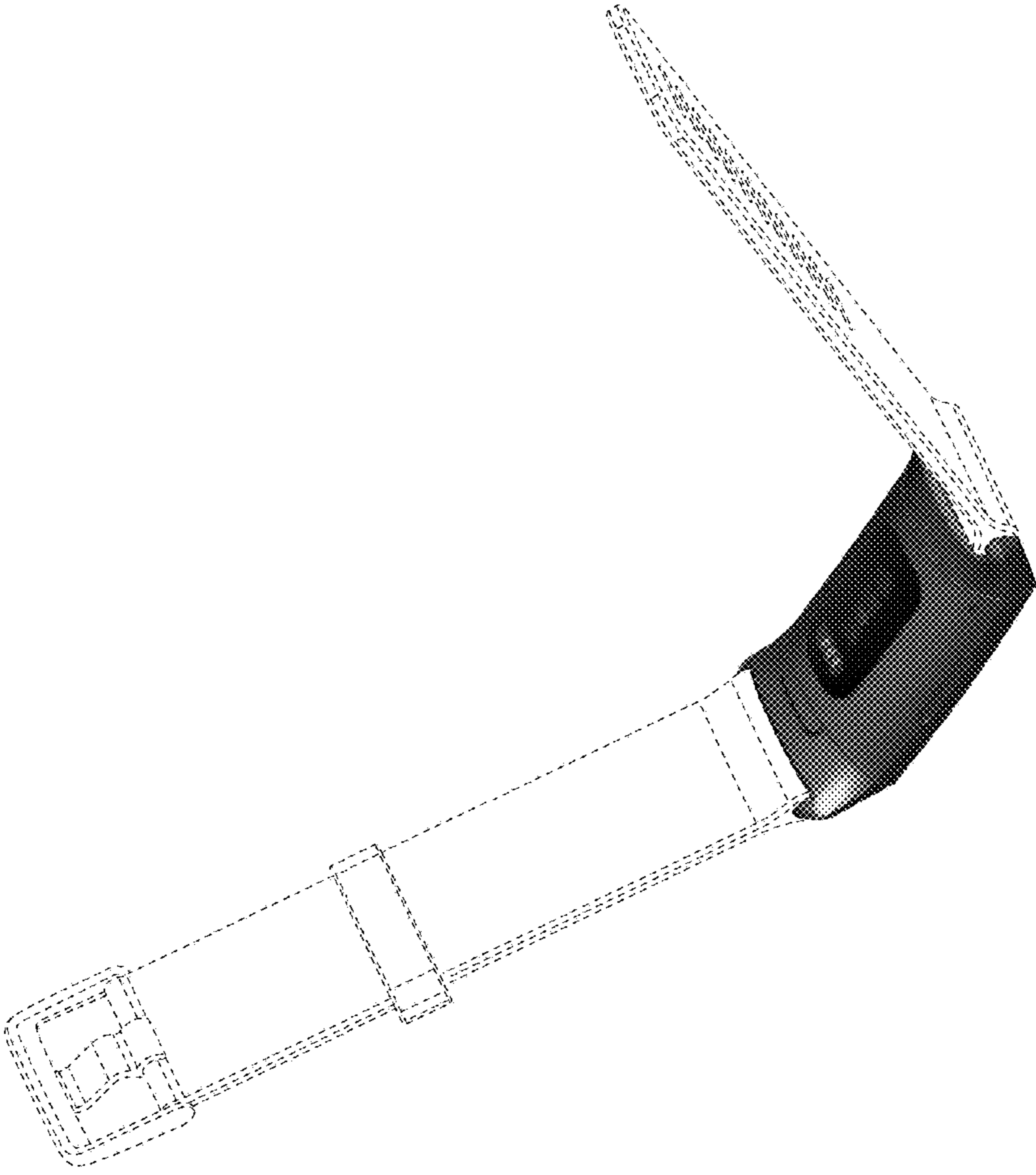


FIG. 8

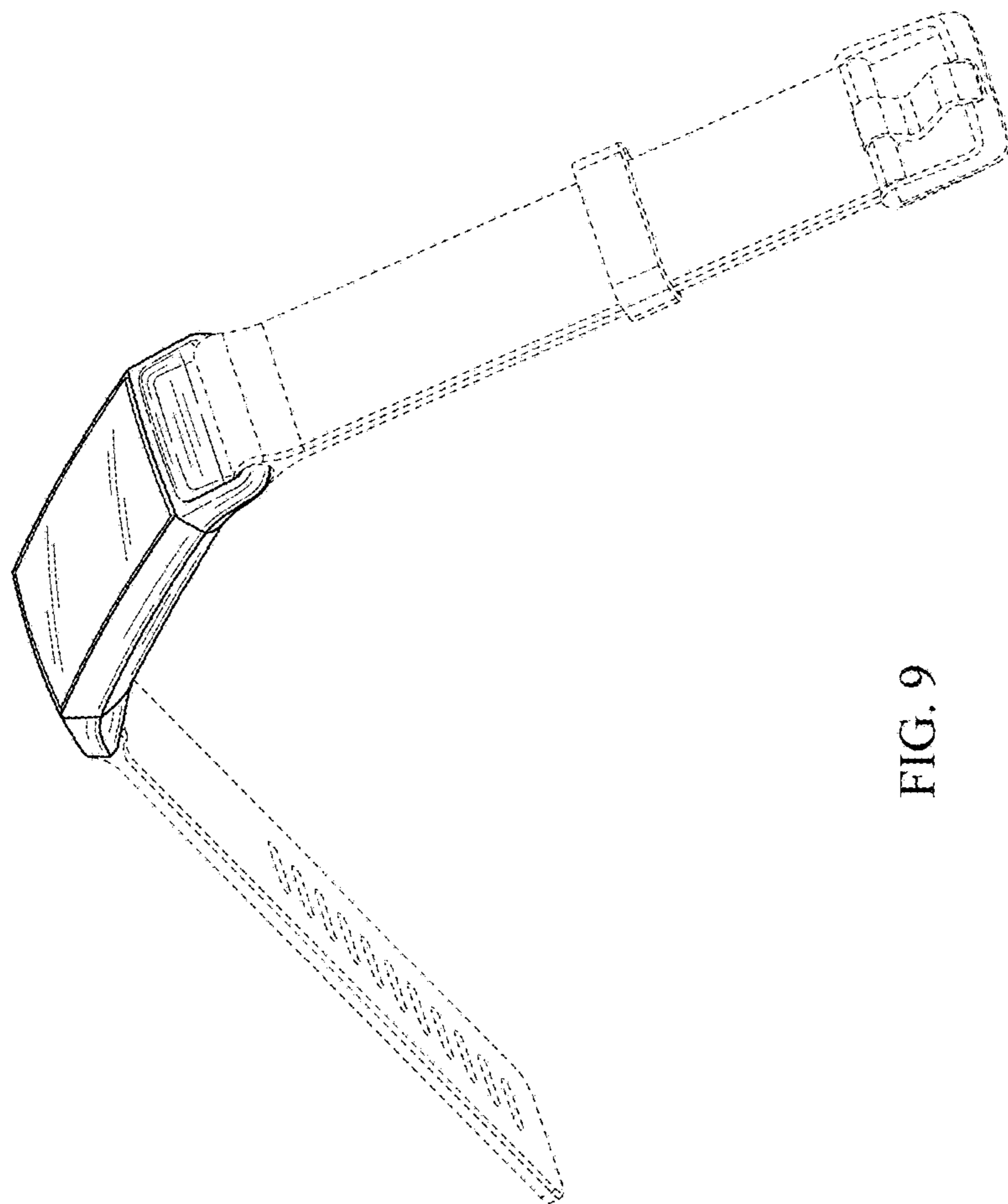


FIG. 9

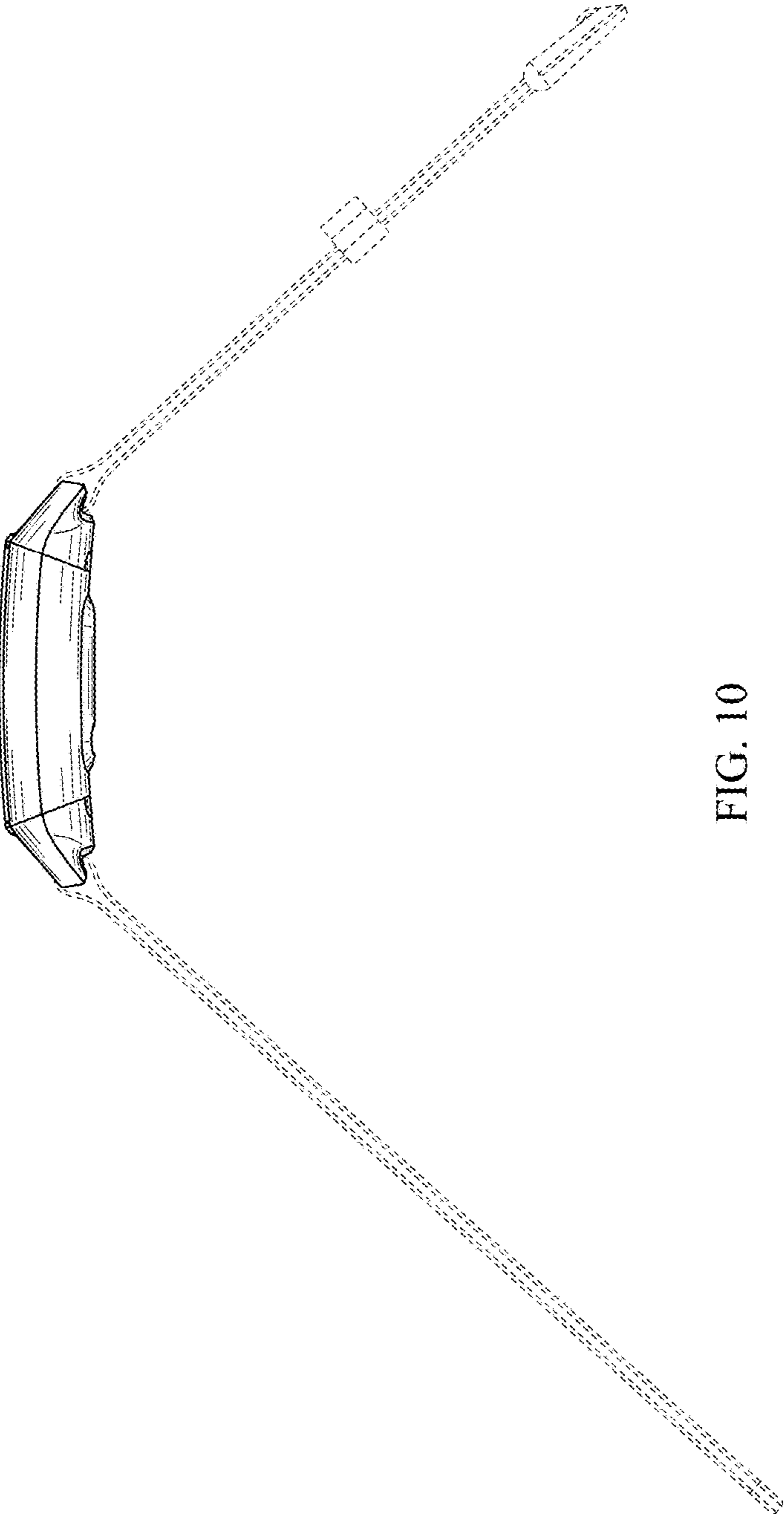


FIG. 10

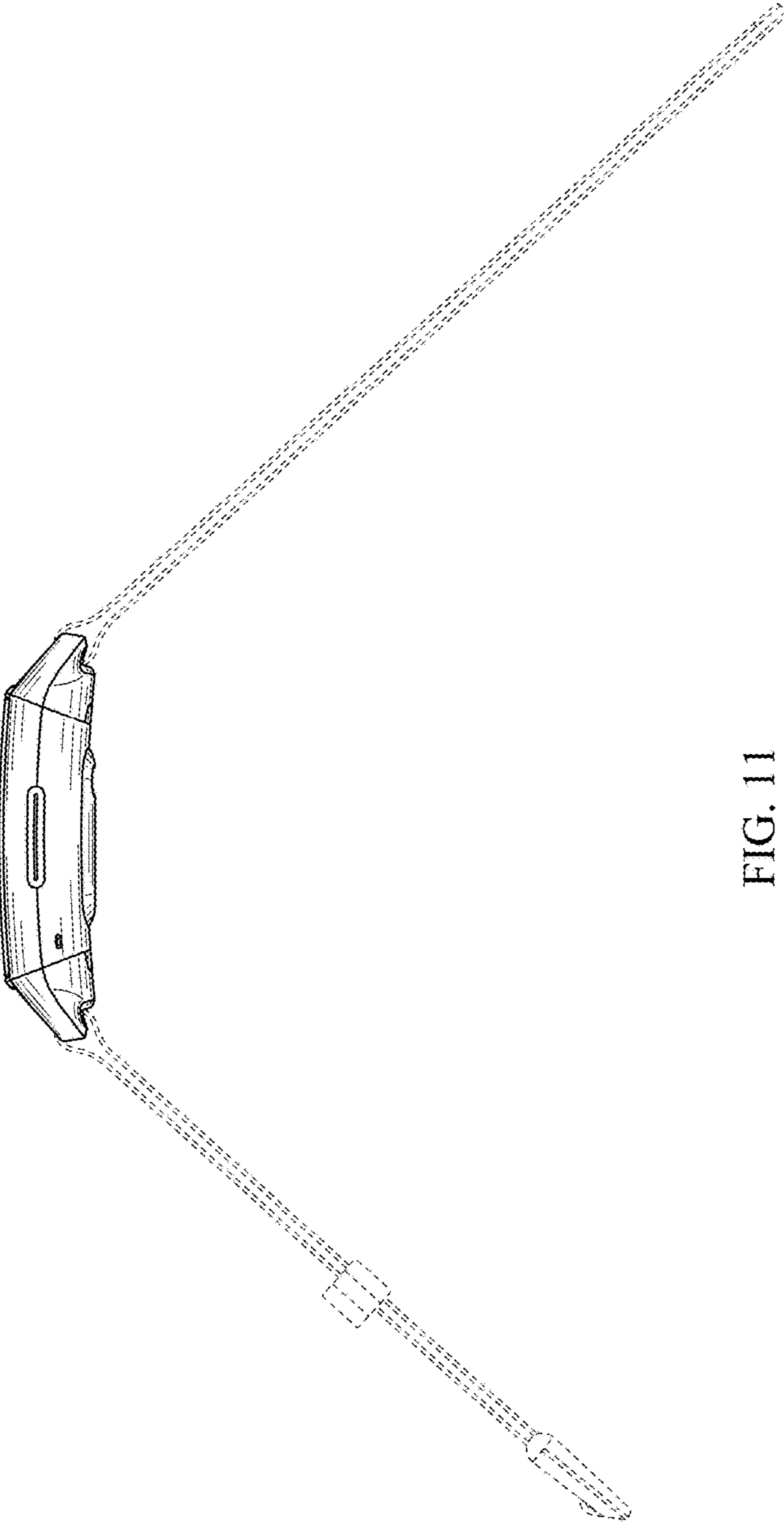


FIG. 11

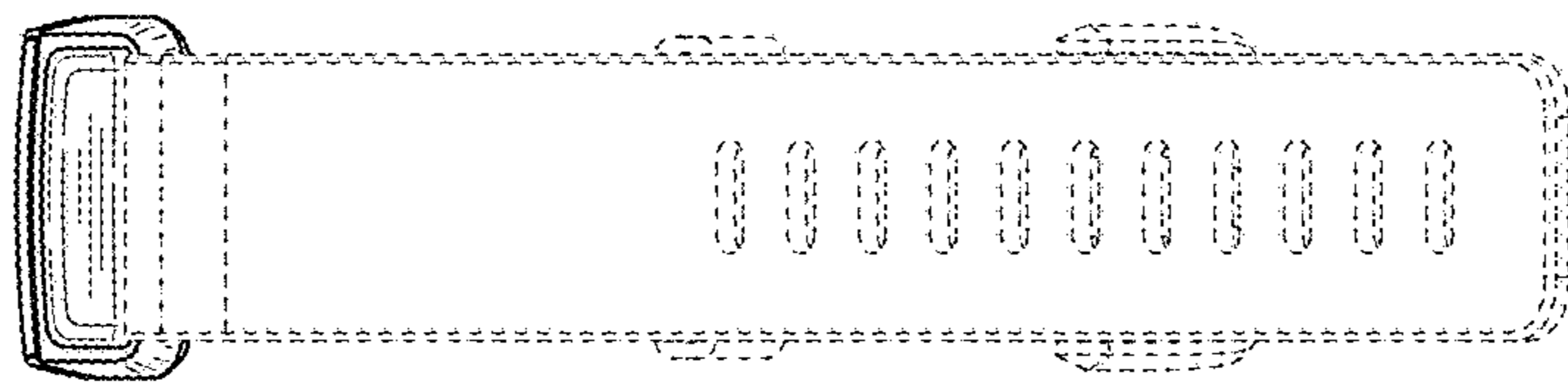


FIG. 13

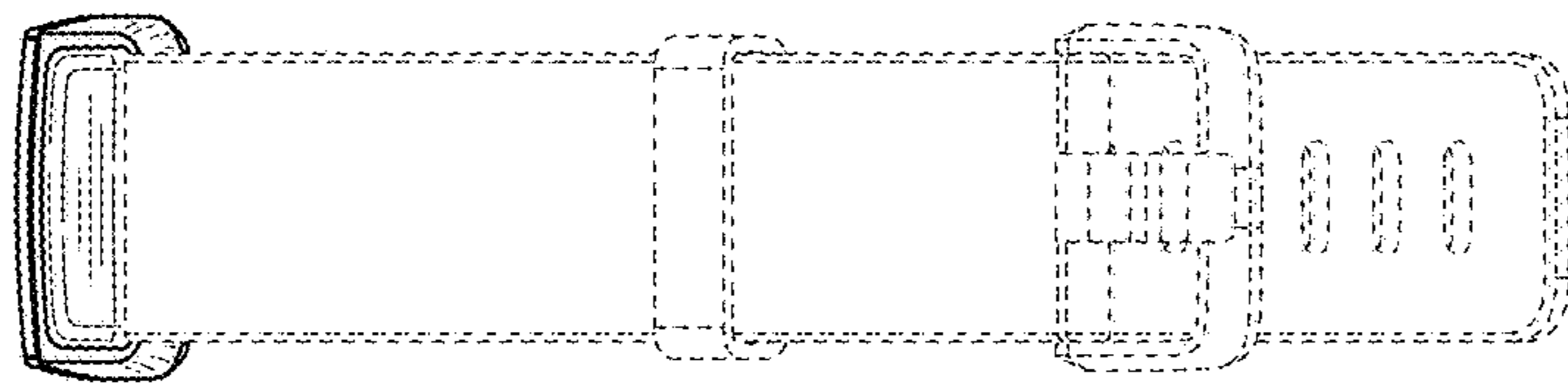


FIG. 12

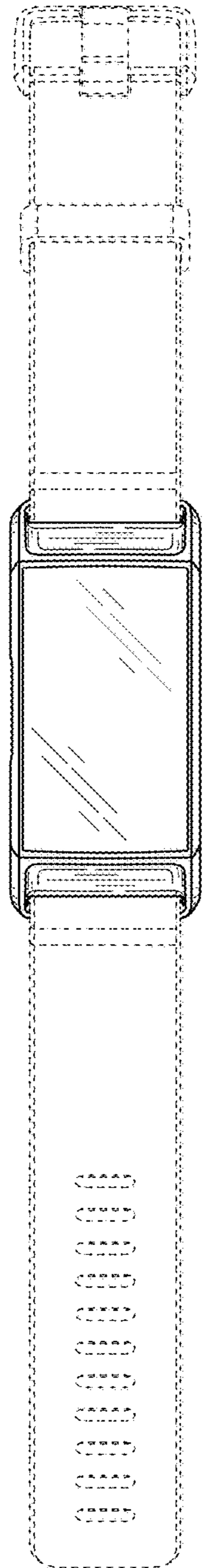


FIG. 14

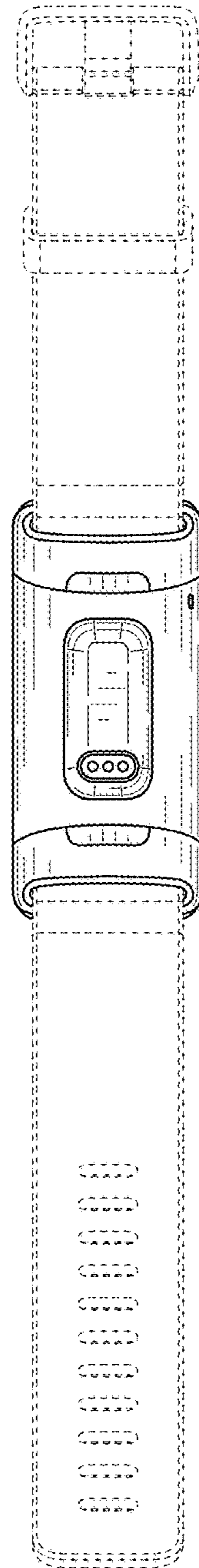


FIG. 15

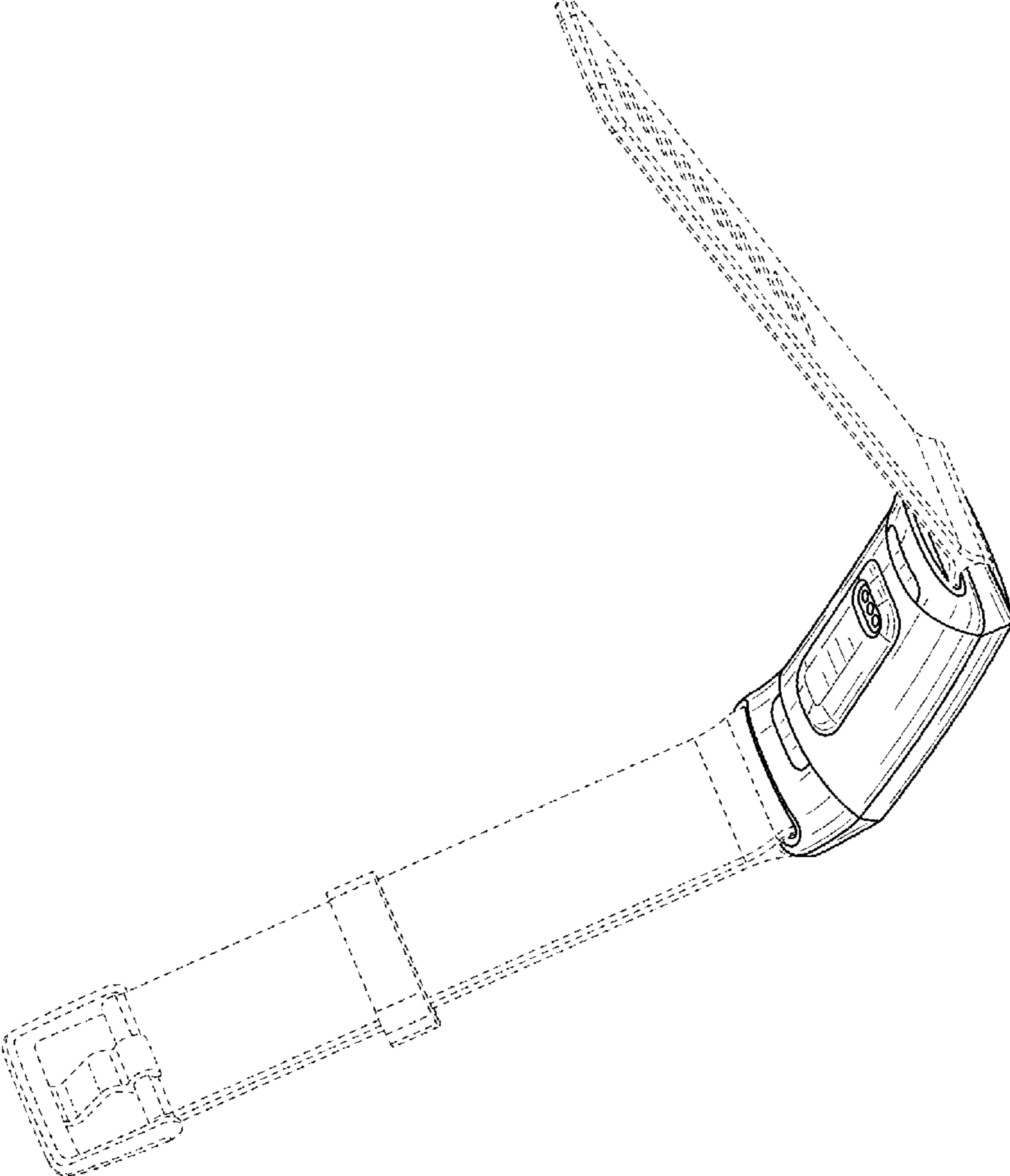


FIG. 16