

US00D863295S

(12) **United States Design Patent** (10) **Patent No.:** **US D863,295 S**  
**Hardi** (45) **Date of Patent:** **\*\* Oct. 15, 2019**

(54) **SMART REMOTE WRISTBAND**

(71) Applicant: **Muzik LLC**, Miami Beach, FL (US)  
(72) Inventor: **Jason Hardi**, Miami Beach, FL (US)  
(73) Assignee: **Muzik Inc.**, West Hollywood, CA (US)  
(\*\*) Term: **15 Years**

(21) Appl. No.: **29/583,747**

(22) Filed: **Nov. 8, 2016**

(51) **LOC (12) Cl.** ..... **14-02**

(52) **U.S. Cl.**  
USPC ..... **D14/344**

(58) **Field of Classification Search**  
USPC ... D14/344, 138 R, 144, 341, 358, 485-489;  
D10/30-39, 70, 98; D11/3, 93-94;  
D24/167, 169, 186-187; 361/679.03;  
379/433.1  
CPC .. A41D 1/002; G06F 1/04; G06F 1/08; G06F  
1/10; G06F 1/14; G06F 1/1626; G06F  
1/1628; G06F 1/163; G06F 1/1635; G06F  
1/3203; G06Q 20/10; G06Q 20/12; G06Q  
20/108; G06Q 20/145; H04B 1/3833;  
H04B 1/385; H04B 1/3888; H04M 1/02;  
H04M 1/03; H04M 1/04; H04M 1/05;  
H04M 1/667; H04M 1/6058; Y02B  
60/1217

See application file for complete search history.

(56) **References Cited**

**U.S. PATENT DOCUMENTS**

2,472,351 A \* 6/1949 Tyler ..... G04B 37/12  
368/282  
2,590,572 A \* 3/1952 Rasmussen ..... G04B 37/1486  
224/170  
2,952,967 A \* 9/1960 Guillaume ..... G04B 19/207  
368/220

(Continued)

**OTHER PUBLICATIONS**

L12S Bluetooth 3.0 Bracelet Watch Design iPhone Samsung and Android Smart Phone-Blue, posted Jul. 7, 2014, [retrieved Nov. 6, 2017]. Retrieved from Internet, <URL: https://www.geekbuying.com/item/L12S-OLED-Bluetooth-0-3-Bracelet-Wrist-Watch-Design-for-IOs-iPhone-Samsung-and-Android-Smart-Phone--Blue-327782.html >.\*

(Continued)

*Primary Examiner* — Karen E Kearney

*Assistant Examiner* — Kristin E Reed

(74) *Attorney, Agent, or Firm* — Stanek Lemon Crouse & Meeks, P.A.

(57) **CLAIM**

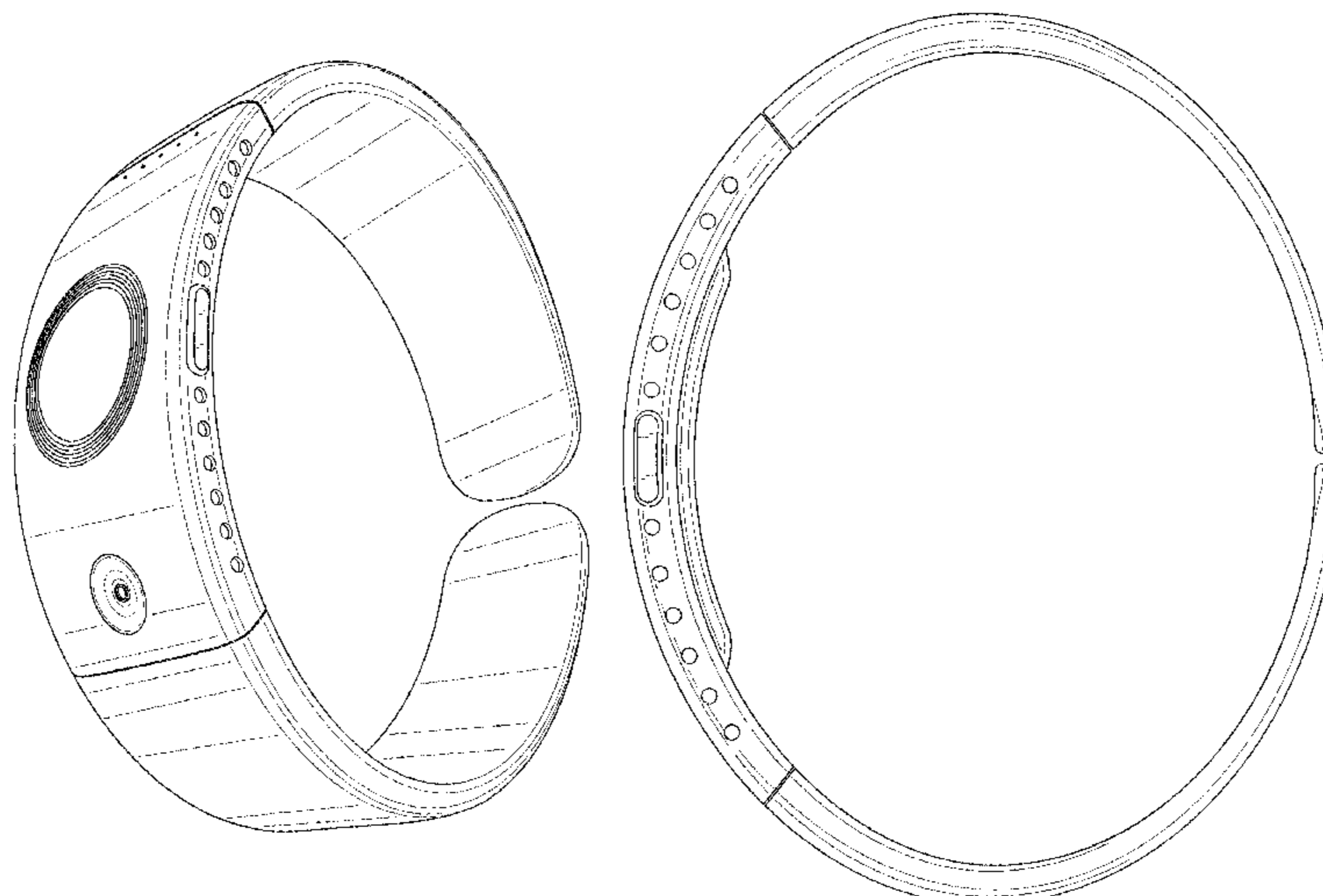
The ornamental design for a smart remote wristband according to my invention, as shown and described herein.

**DESCRIPTION**

FIG. 1 is a perspective view of a smart remote wristband according to my invention, shown in a first embodiment; FIG. 2 is a front view thereof; FIG. 3 is a rear view thereof; FIG. 4 is a side view thereof; FIG. 5 is an opposing side view of the side view of FIG. 4; FIG. 6 is a top view thereof; FIG. 7 is a bottom view thereof; FIG. 8 is a perspective view of a smart remote wristband, shown in a second embodiment; FIG. 9 is a front view thereof; FIG. 10 is a rear view thereof; FIG. 11 is a side view thereof; FIG. 12 is an opposing side view of the side view of FIG. 11; FIG. 13 is a top view thereof; and, FIG. 14 is a bottom view thereof.

The broken lines shown in FIGS. 8-14 depict portions of the smart remote wristband and environmental structure and form no part of the claimed design.

**1 Claim, 14 Drawing Sheets**



(56)

References Cited

U.S. PATENT DOCUMENTS

3,032,651 A \* 5/1962 Gisiger-Stahli ..... G04B 47/00  
368/10  
4,419,770 A \* 12/1983 Yagi ..... G04B 47/025  
368/10  
D288,669 S \* 3/1987 Maron ..... 10/30  
D325,174 S \* 4/1992 Bulgari ..... D10/32  
D380,476 S \* 7/1997 Zochert ..... D14/205  
D466,488 S \* 12/2002 Wada ..... D10/31  
6,757,390 B2 \* 6/2004 Ito ..... H04B 1/385  
379/433.02  
D495,611 S \* 9/2004 Jørgensen ..... D10/32  
D507,496 S \* 7/2005 Tang ..... D10/30  
D511,978 S \* 11/2005 Wilson ..... D10/30  
D513,997 S \* 1/2006 Wilson ..... D10/30  
D553,536 S \* 10/2007 Andren ..... D11/3  
D603,723 S \* 11/2009 Giannini ..... D10/31  
D717,956 S \* 11/2014 Alexander ..... D24/167  
8,915,361 B2 \* 12/2014 Rayner ..... G06F 1/1601  
206/320  
D721,599 S \* 1/2015 Gruosi ..... D10/32  
9,170,612 B2 \* 10/2015 Farjami ..... G06F 1/1635

D772,867 S \* 11/2016 Park ..... D10/39  
9,484,768 B2 \* 11/2016 Park ..... H02J 7/00  
D789,545 S \* 6/2017 Pippel ..... D24/186  
D829,684 S \* 10/2018 Hardi ..... D14/204  
D830,992 S \* 10/2018 Hardi ..... D14/205  
D834,560 S \* 11/2018 Hardi ..... D14/218  
D835,602 S \* 12/2018 Hardi ..... D14/205  
2008/0002528 A1 \* 1/2008 Andren ..... G04G 17/045  
368/241

OTHER PUBLICATIONS

Peugeot Women's Cuff Watch, posted unknown, [retrieved Nov. 6, 2017]. Retrieved from Internet, <URL: [https://www.kohls.com/product/prd-1438252/peugeot-gold-tone-bangle-watch-women.jsp?ci\\_mcc=ci&utm\\_campaign=OPENSELL%2520WATCHES&utm\\_medium=CSE&utm\\_source=polyvore&CID=shopping26&gclid=CMnmhlfjqtcCFYmvswod14QMhw&gclsrc.\\*](https://www.kohls.com/product/prd-1438252/peugeot-gold-tone-bangle-watch-women.jsp?ci_mcc=ci&utm_campaign=OPENSELL%2520WATCHES&utm_medium=CSE&utm_source=polyvore&CID=shopping26&gclid=CMnmhlfjqtcCFYmvswod14QMhw&gclsrc.*)>.  
Jay King Mabe Pearl and Lapis Sterling Silver Cuff Bracelet, posted Nov. 5, 2017, [retrieved Nov. 6, 2017]. Retrieved from Internet, <URL: <https://www.hsn.com/products/jay-king-mabe-pearl-and-lapis-cuff-bracelet/8468403>>.\*

\* cited by examiner

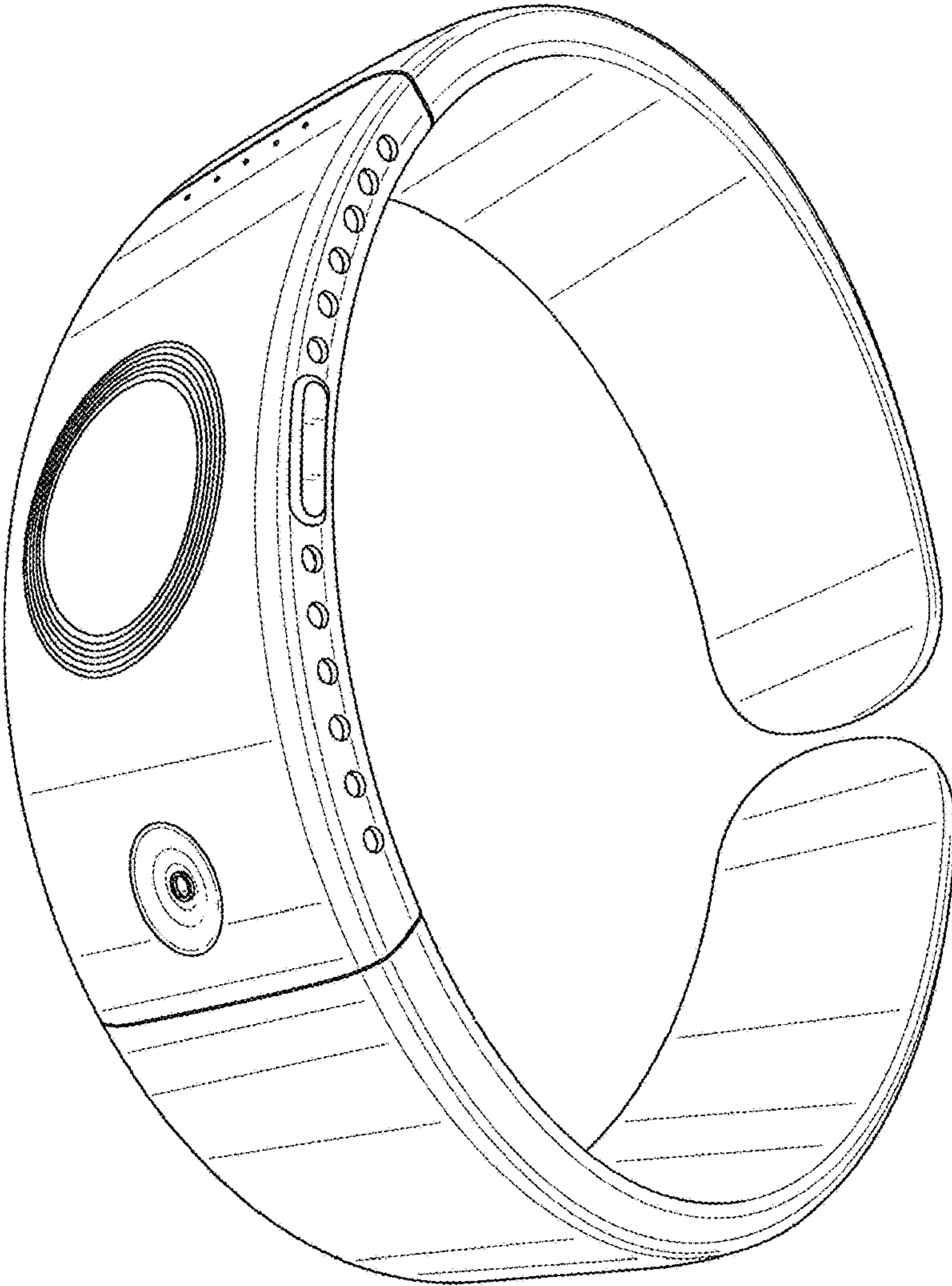


FIG. 1

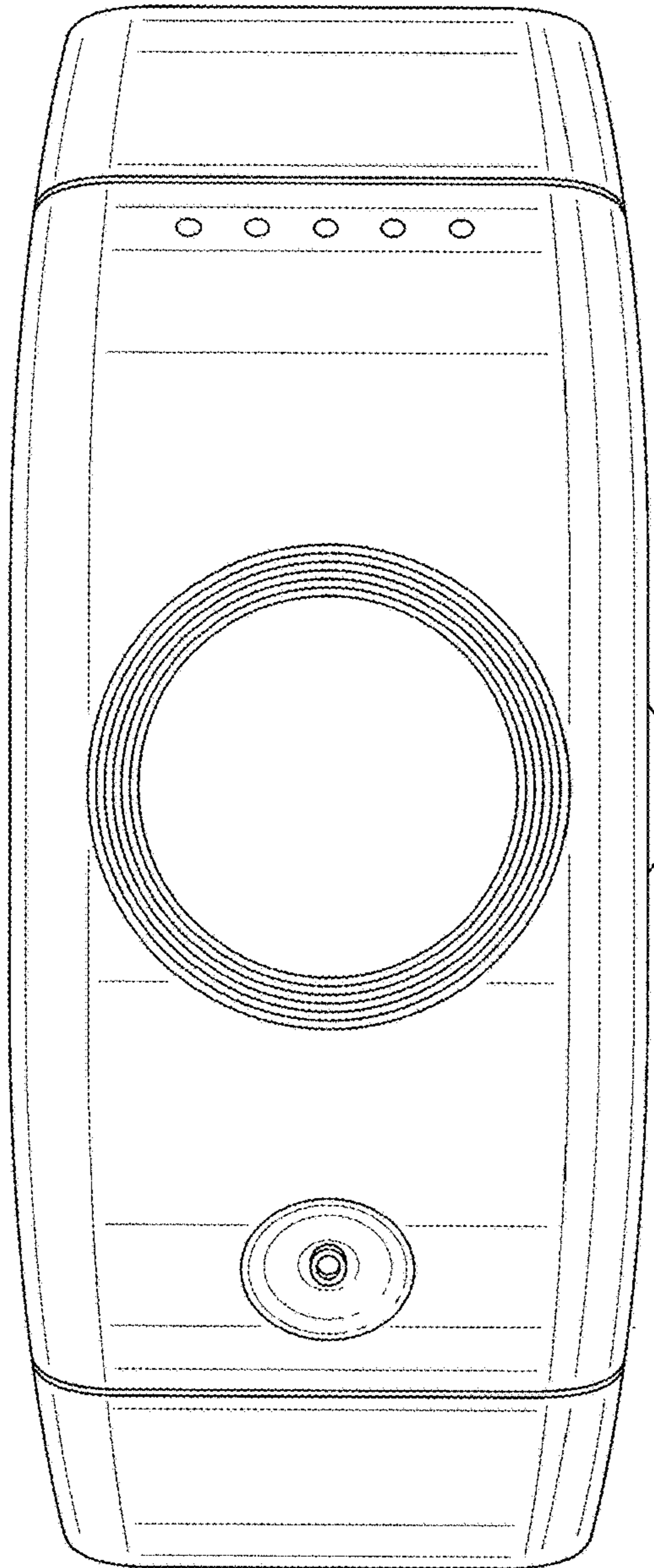
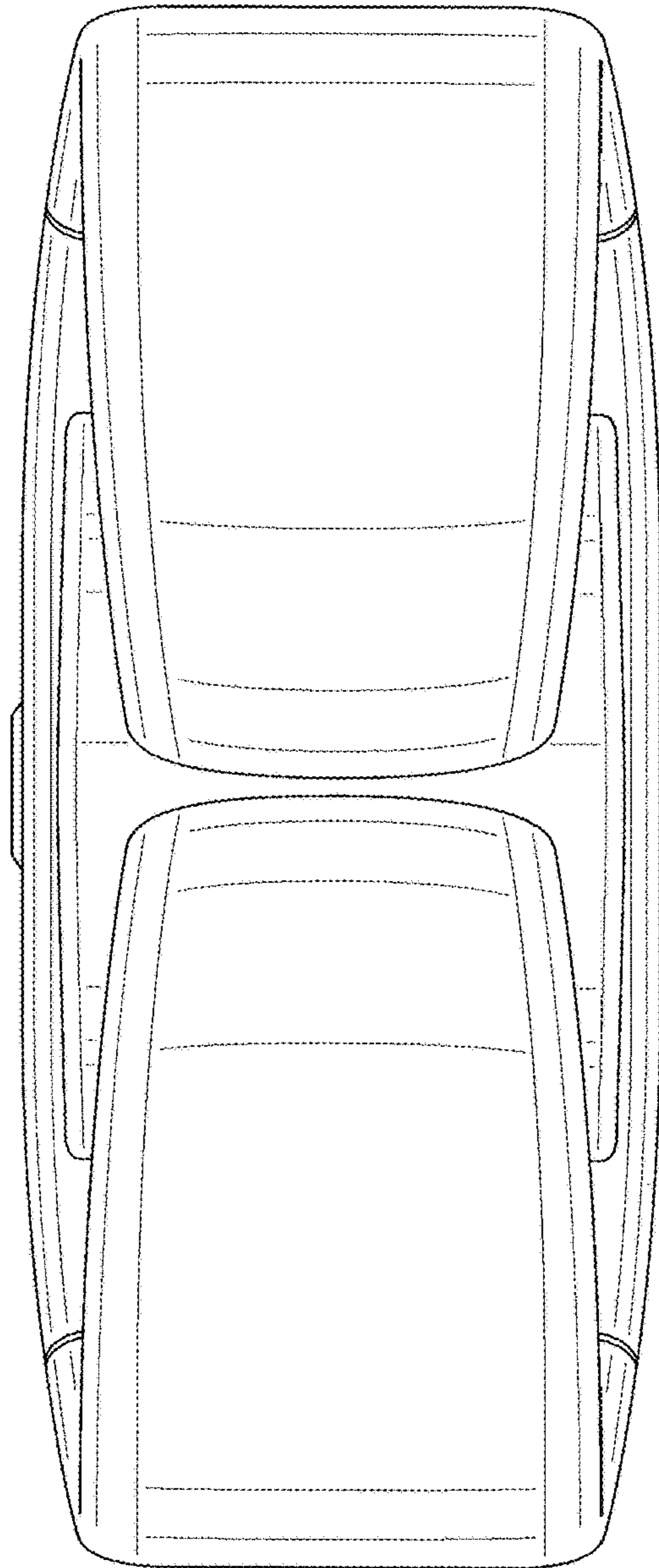


FIG. 2



**FIG. 3**

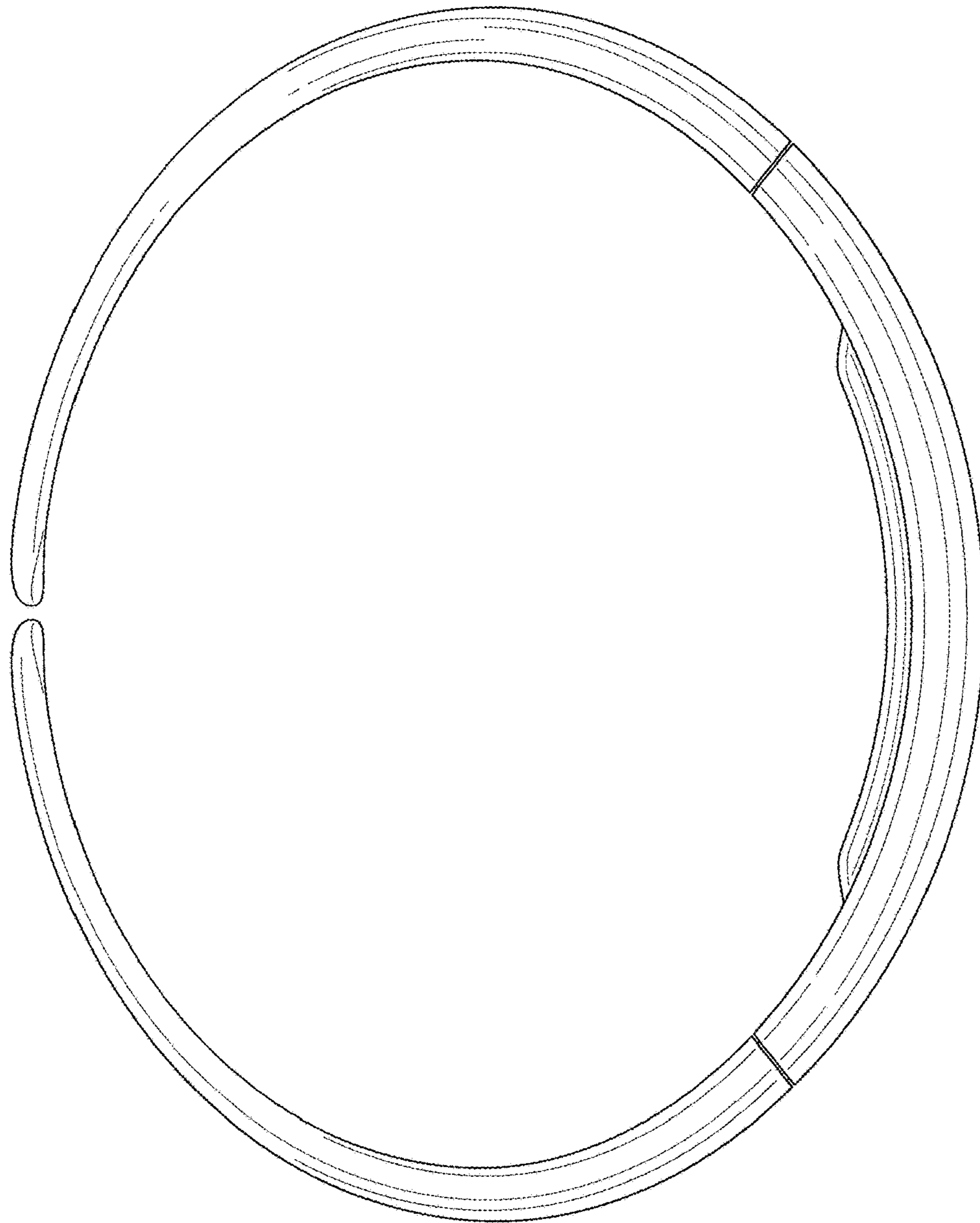


FIG. 4

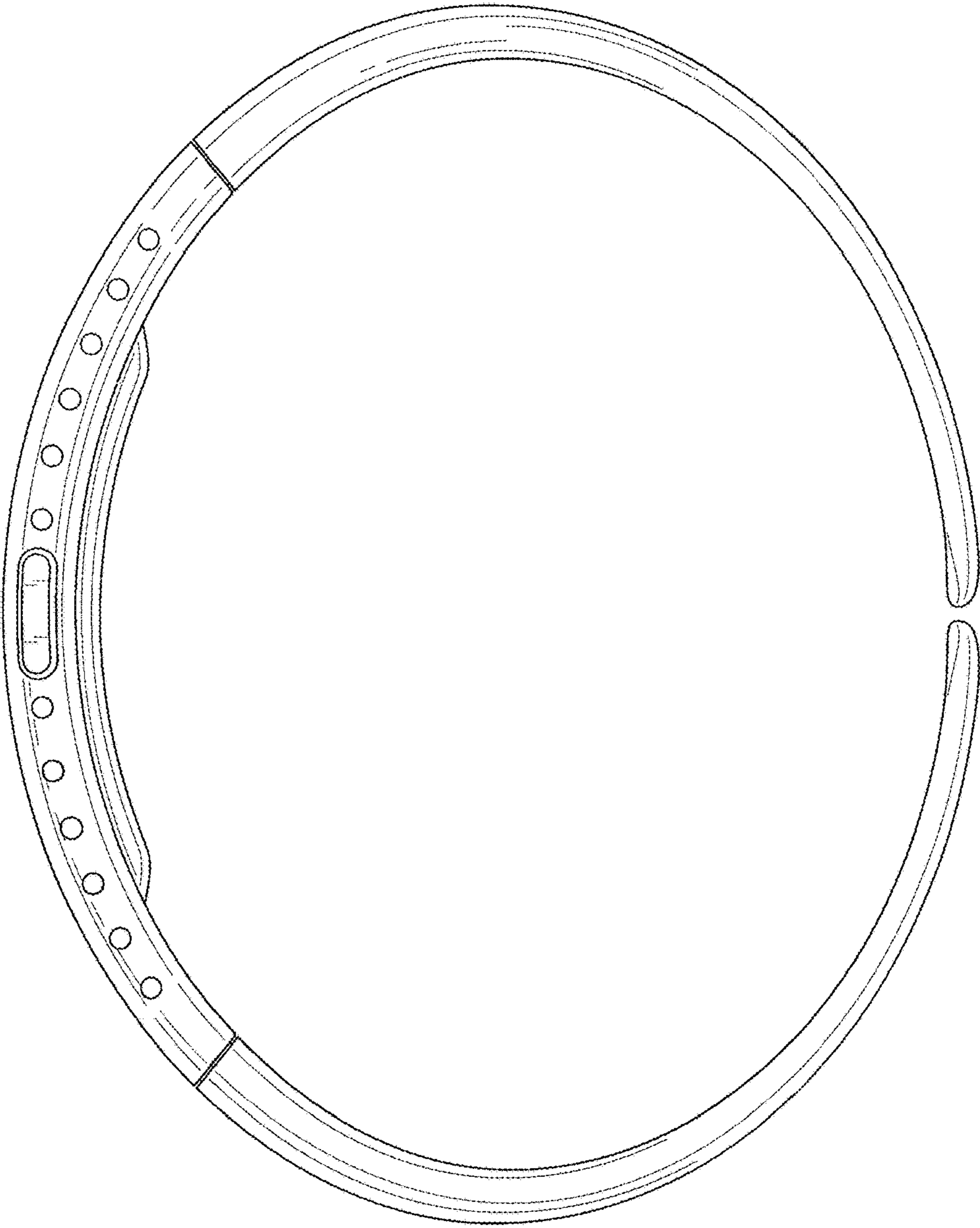


FIG. 5

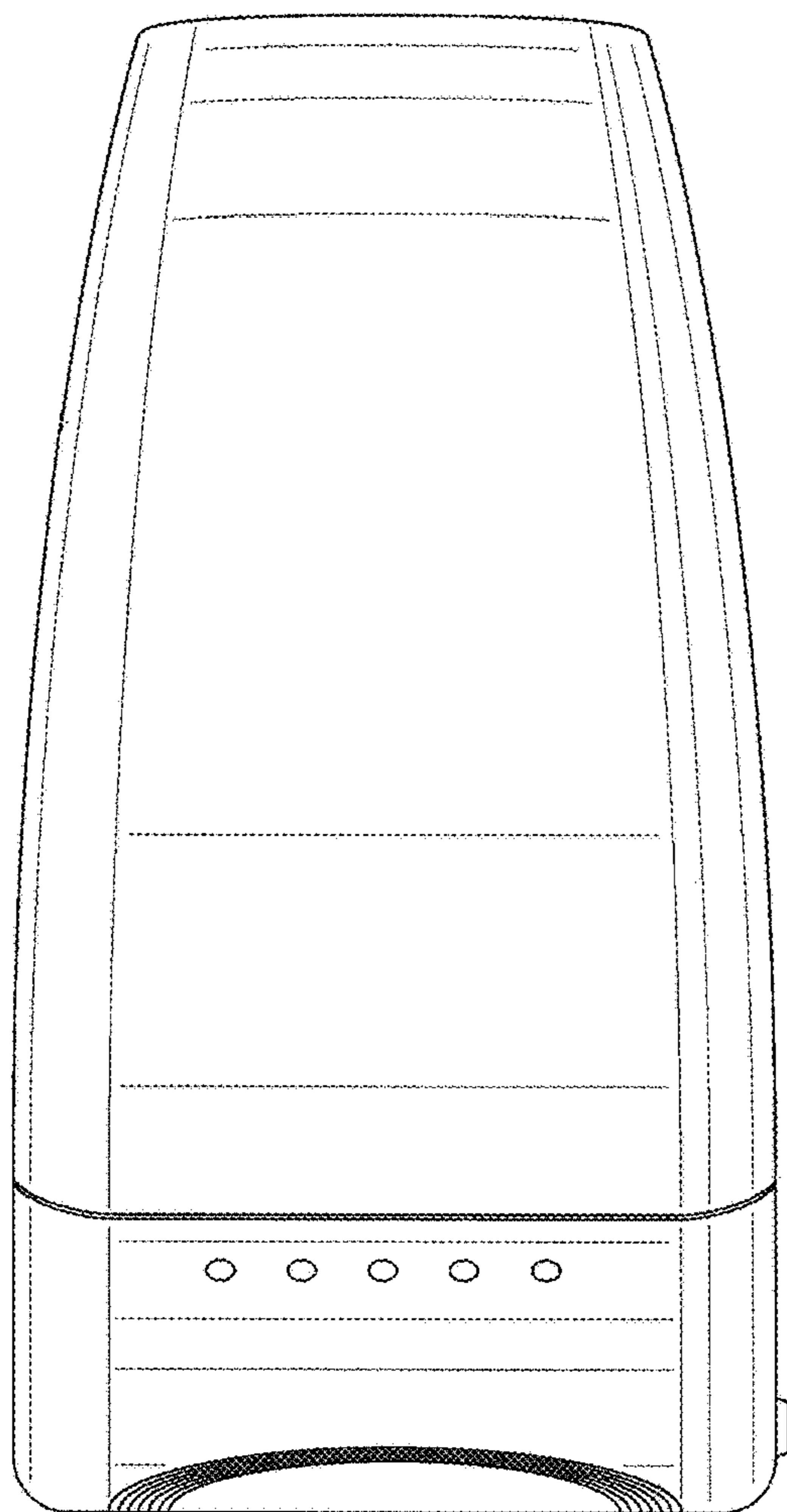


FIG. 6



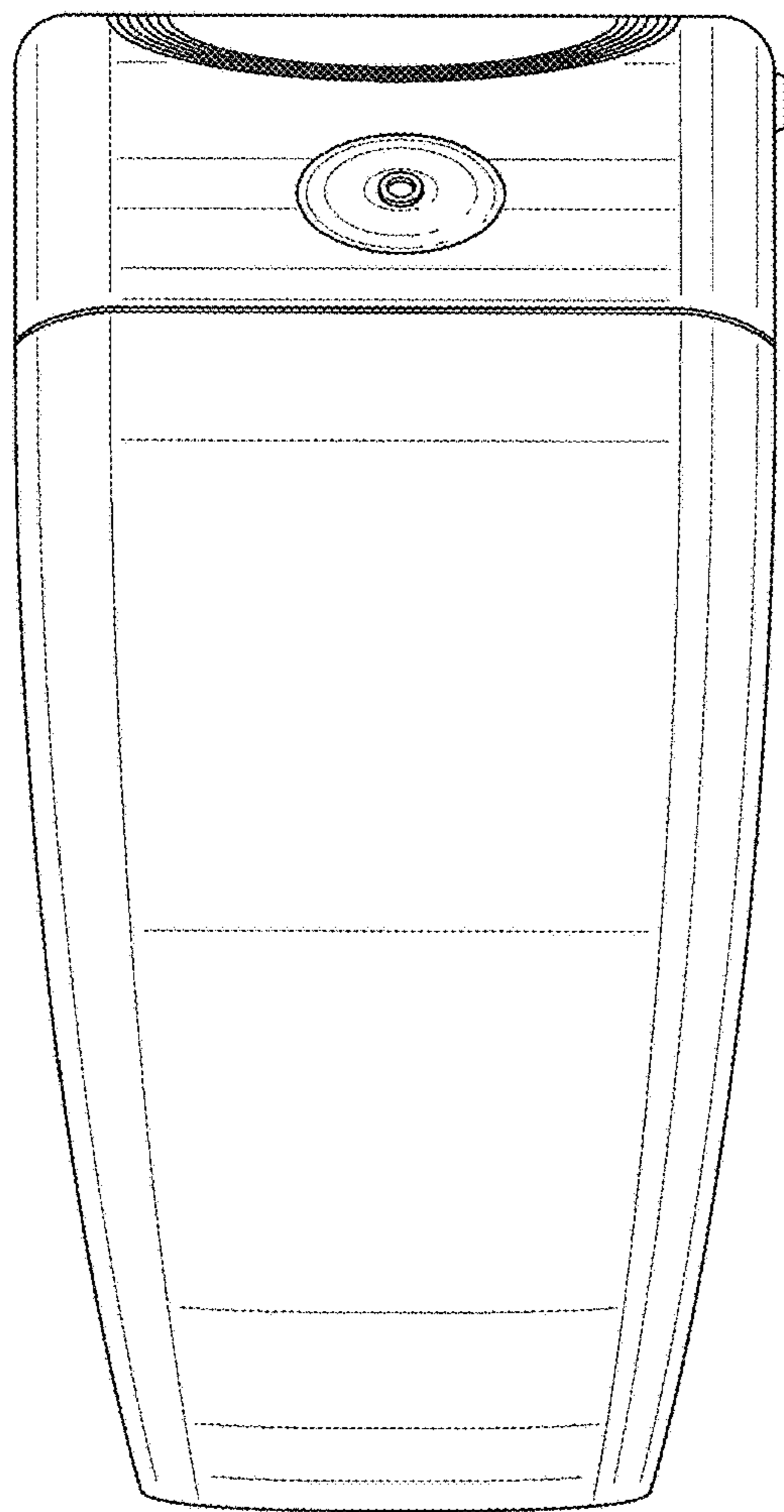


FIG. 7

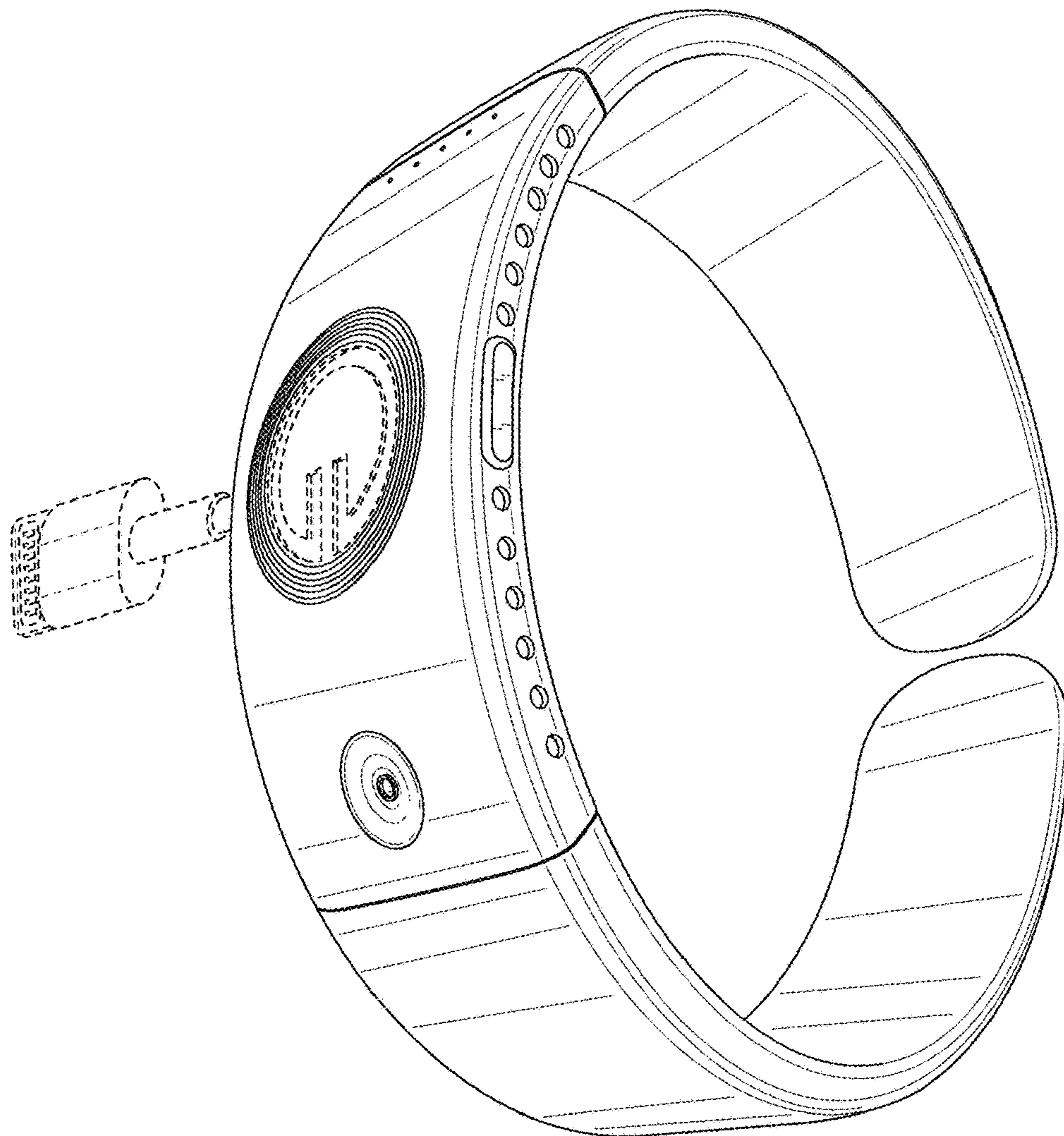


FIG. 8

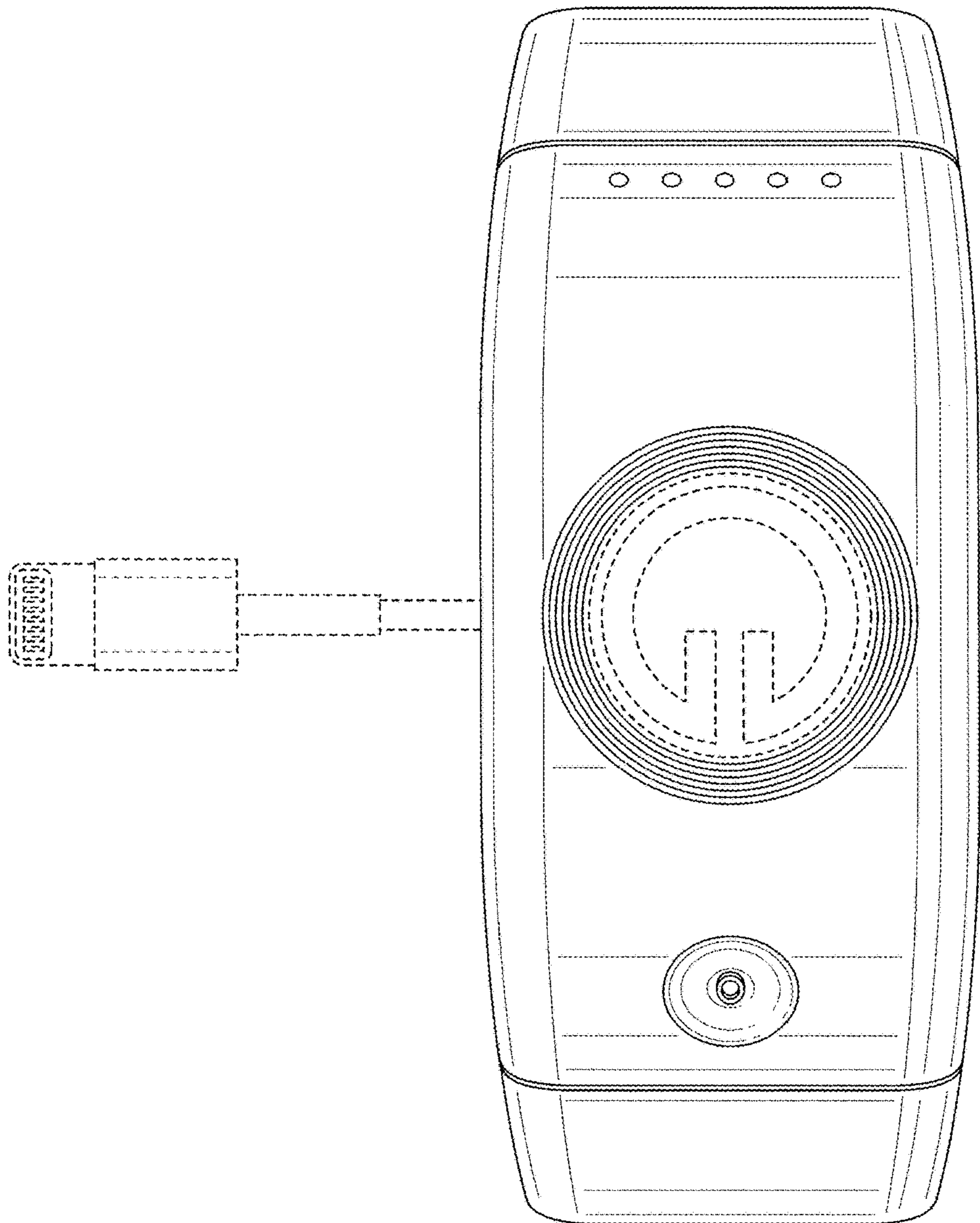


FIG. 9

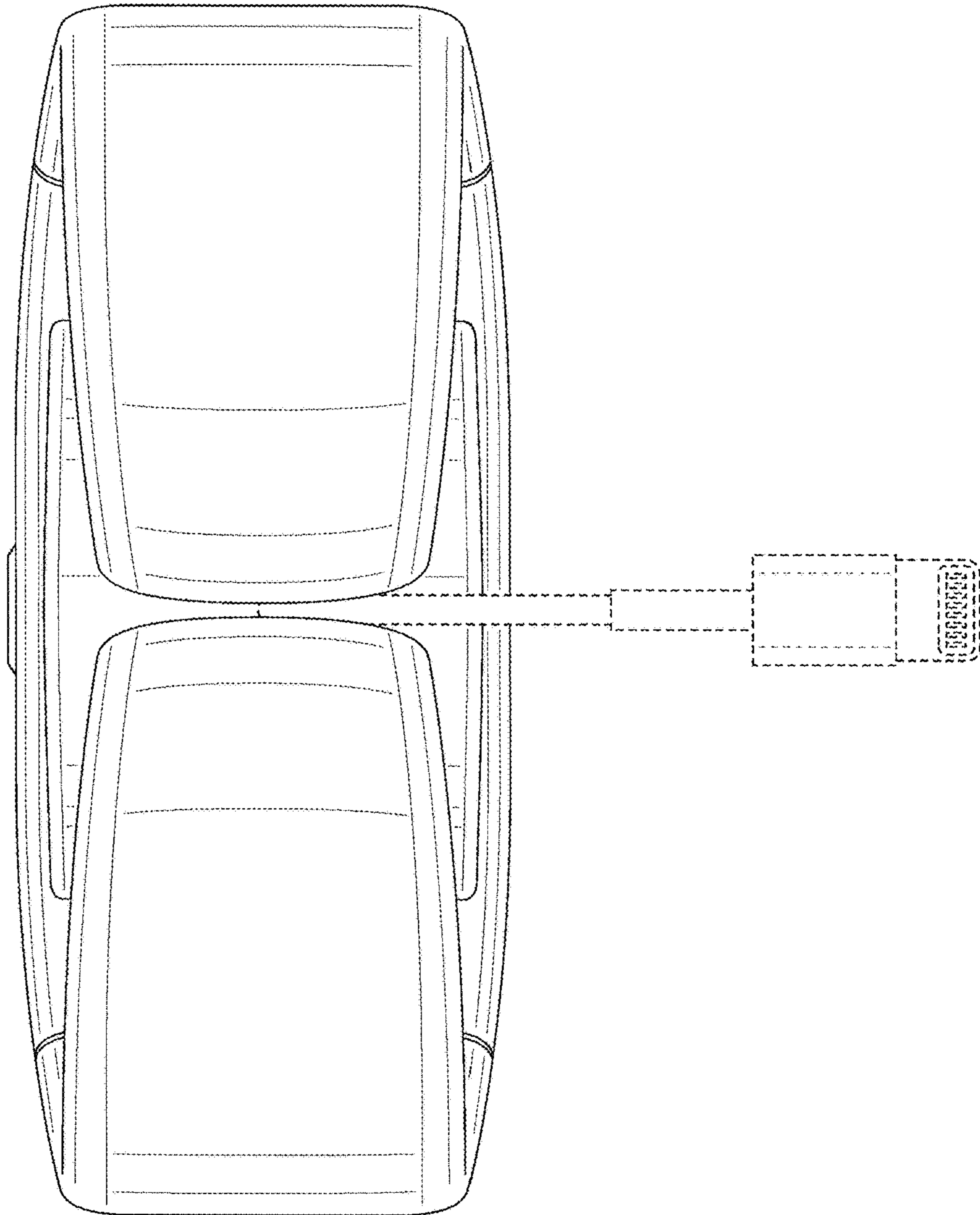


FIG. 10

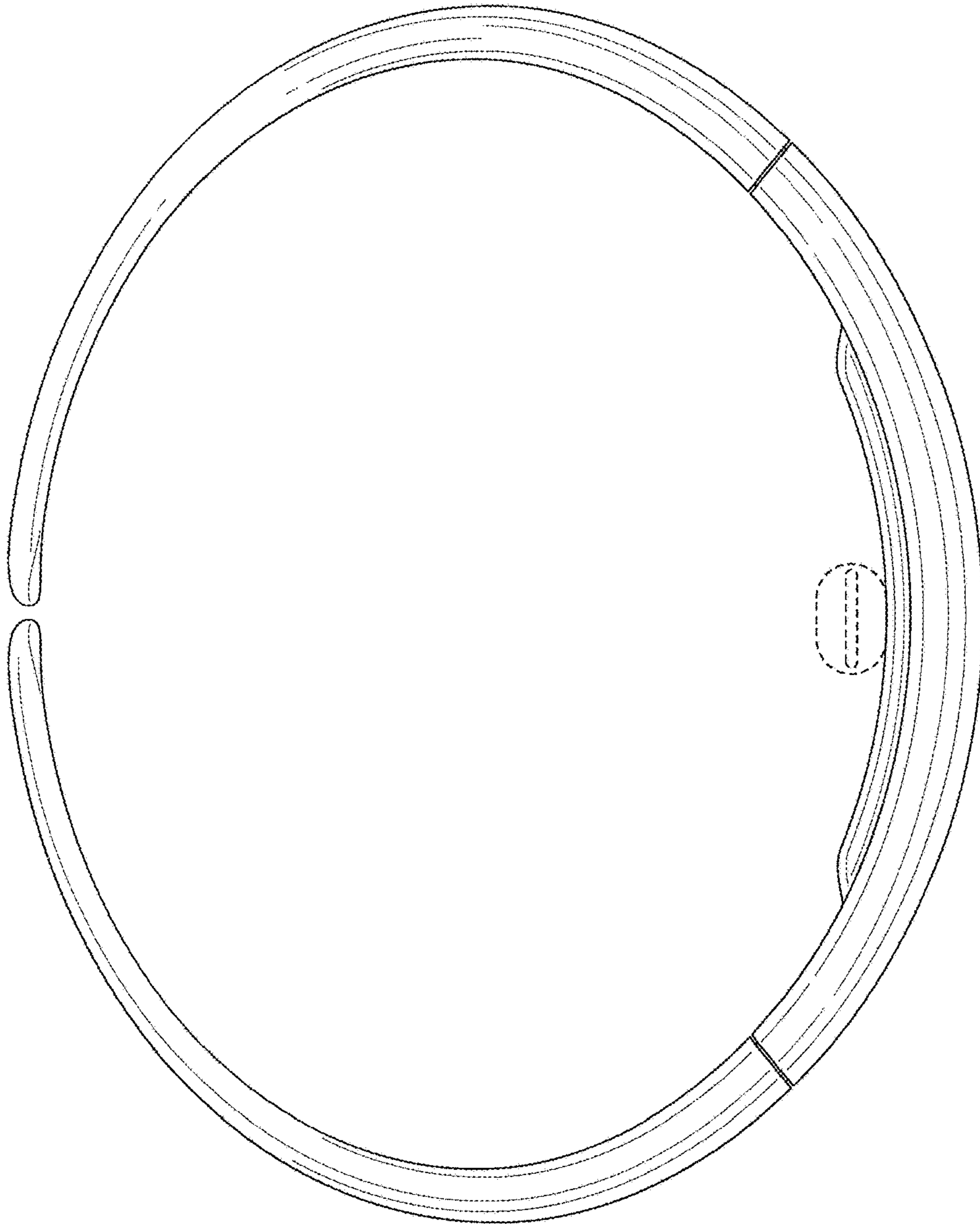


FIG. 11

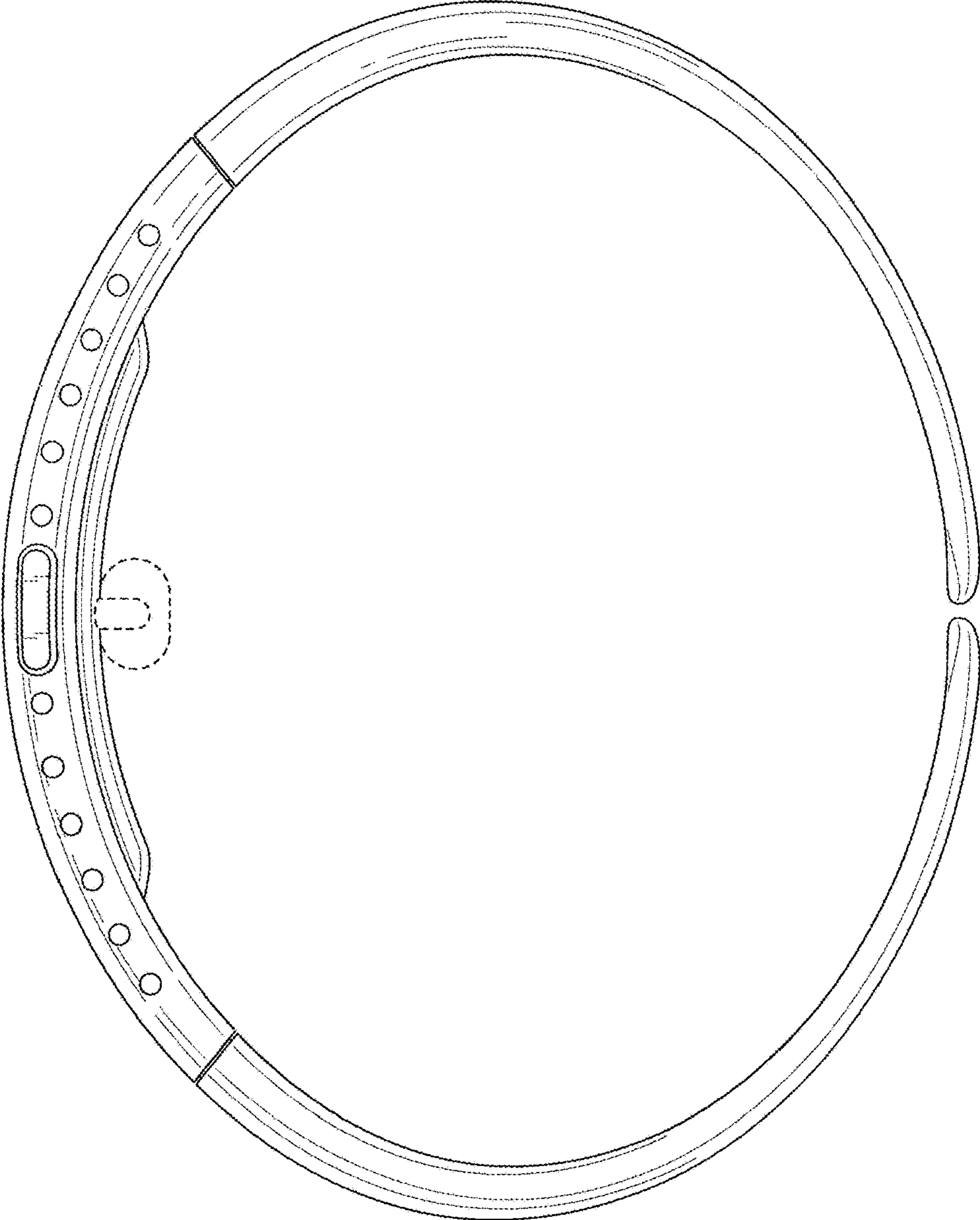


FIG. 12

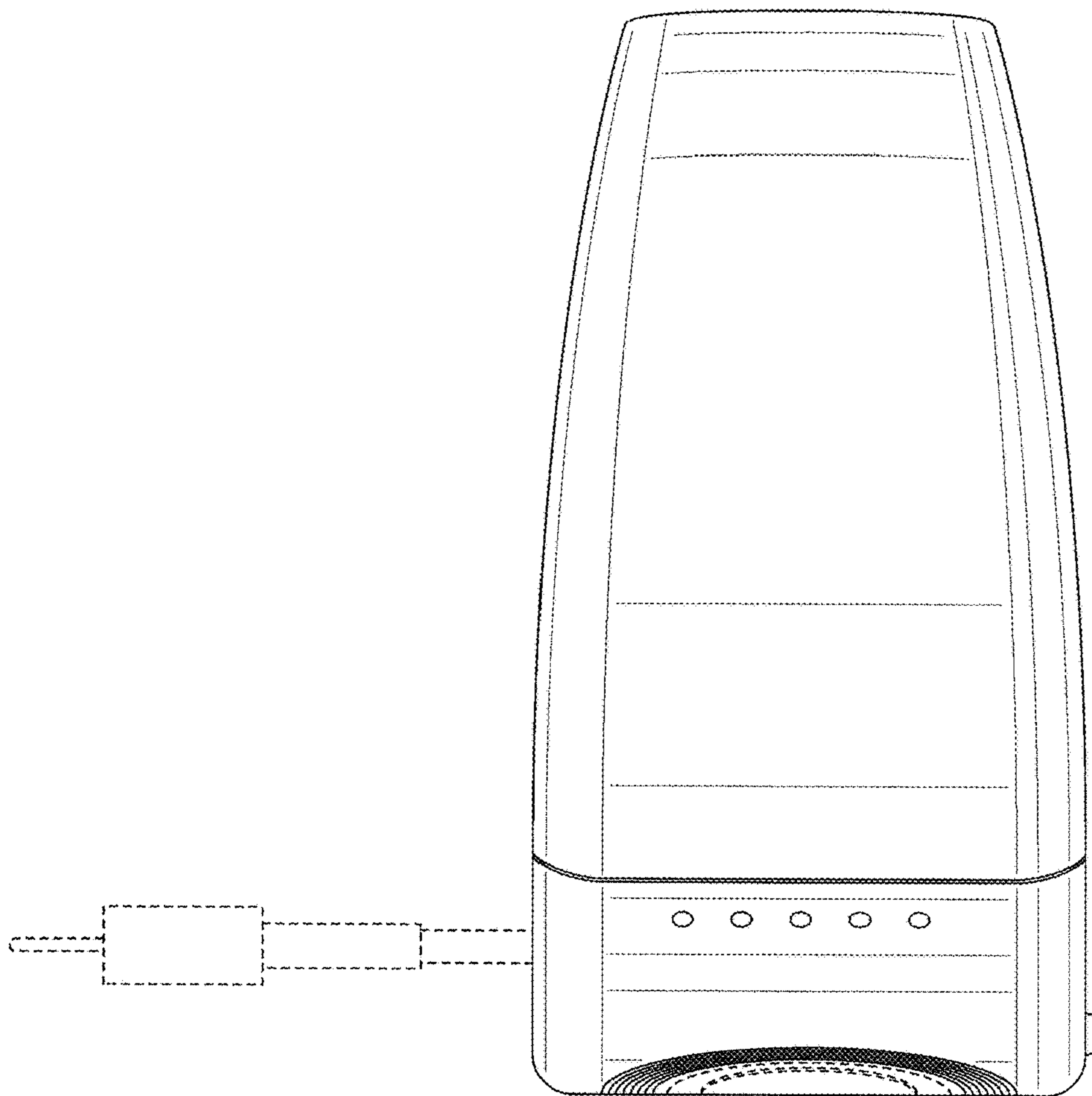


FIG. 13

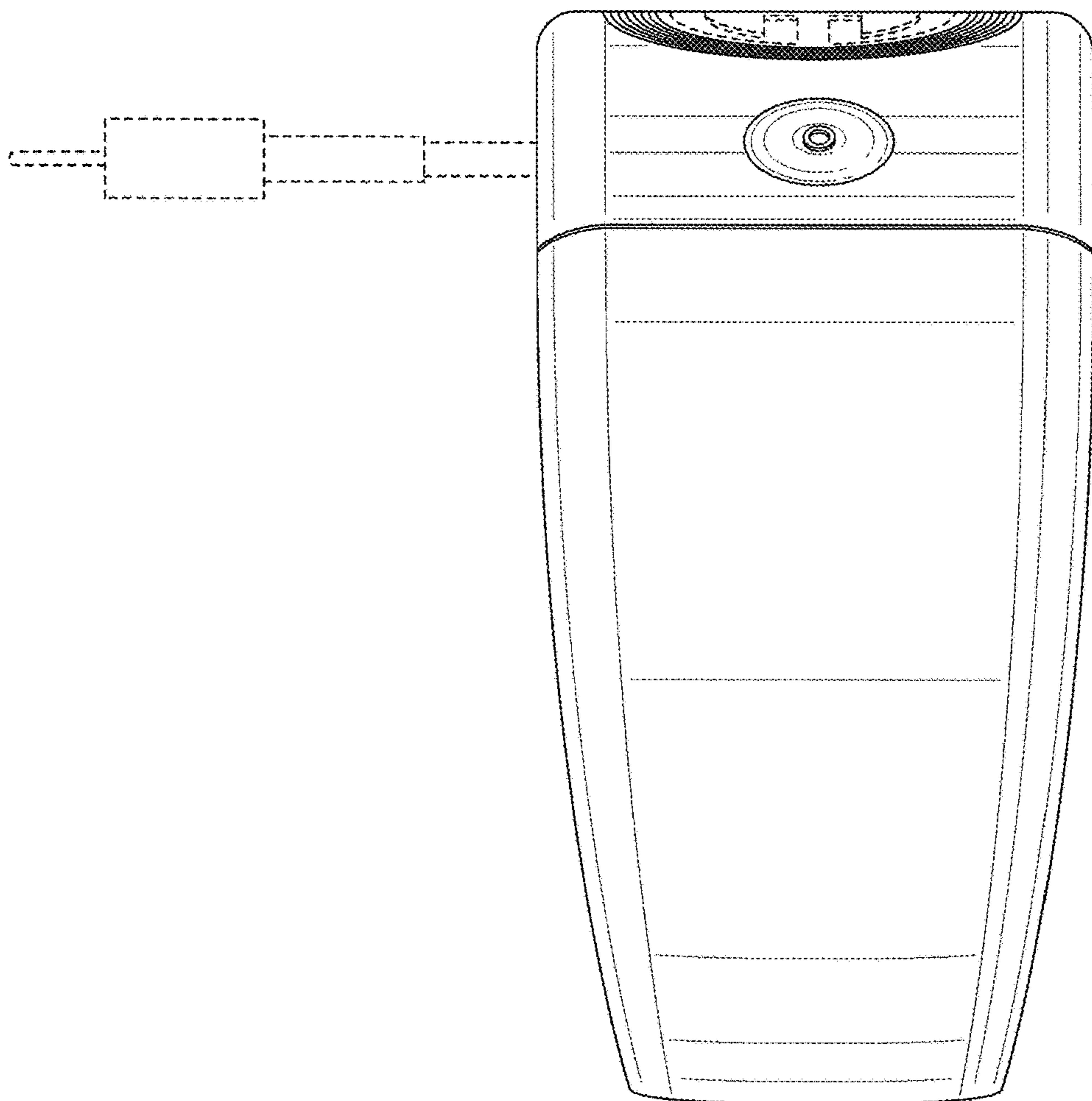


FIG. 14