



US00D863292S

(12) **United States Design Patent**
Nishizawa

(10) **Patent No.:** **US D863,292 S**
(45) **Date of Patent:** **** Oct. 15, 2019**

(54) **DIGITAL NOTEBOOK**

FOREIGN PATENT DOCUMENTS

(71) Applicant: **Wacom Co., Ltd.**, Kazo-shi, Saitama (JP)

JP D1547680 S 4/2016
JP D1554118 S 7/2016

(72) Inventor: **Naoya Nishizawa**, Tokyo (JP)

OTHER PUBLICATIONS

(73) Assignee: **Wacom Co., Ltd.**, Kazo-shi (JP)

Artist Review: Wacom Bamboo Slate, posted Oct. 14, 2016, [retrieved May 11, 2018]. Retrieved from Internet, <URL: <https://www.youtube.com/watch?v=8NWEwUVEyZs> >.*

(**) Term: **15 Years**

(Continued)

(21) Appl. No.: **29/594,648**

Primary Examiner — Barbara Fox
Assistant Examiner — Kristin E Reed

(22) Filed: **Feb. 21, 2017**

(74) *Attorney, Agent, or Firm* — Christensen O'Connor Johnson Kindness PLLC

(30) **Foreign Application Priority Data**

(57) **CLAIM**

Aug. 26, 2016 (JP) 2016-018158

The ornamental design for a digital notebook, as shown and described.

(51) **LOC (12) Cl.** **14-02**

DESCRIPTION

(52) **U.S. Cl.**

USPC **D14/341**

(58) **Field of Classification Search**

USPC D14/341–347, 125–134, 137, 138 R, D14/138 AA, 138 AB, 138 C, 138 G, 147, D14/203.1, 203.3, 203.4, 203.7, 218, 247, D14/248, 332, 336, 371, 374–377, 388, D14/389, 315–318, 420, 426, 429, 440, D14/448, 450, 489, 492, 496; D6/300–310; D10/50, 65, 98, 104.1; D16/241; D18/6; D20/10, 19, 39; D21/329, 330

(Continued)

FIG. 1 is a front perspective view of a digital notebook according to an embodiment of my new design; FIG. 2 is a rear perspective view of the digital notebook of FIG. 1; FIG. 3 is a front view of the digital notebook of FIG. 1; FIG. 4 is a rear view of the digital notebook of FIG. 1; FIG. 5 is a top view of the digital notebook of FIG. 1; FIG. 6 is a bottom view of the digital notebook of FIG. 1; FIG. 7 is a right view of the digital notebook of FIG. 1; FIG. 8 is a left view of the digital notebook of FIG. 1; FIG. 9 partial perspective view of a portion of the digital notebook indicated in FIG. 1; and, FIG. 10 partial front view of a portion of the digital notebook indicated in FIG. 3.

The dot-dot-dash broken lines indicate the boundary of the enlarged portions of the drawings. The remaining broken lines in the figures depict portions of the digital notebook. The broken lines form no part of the claimed design.

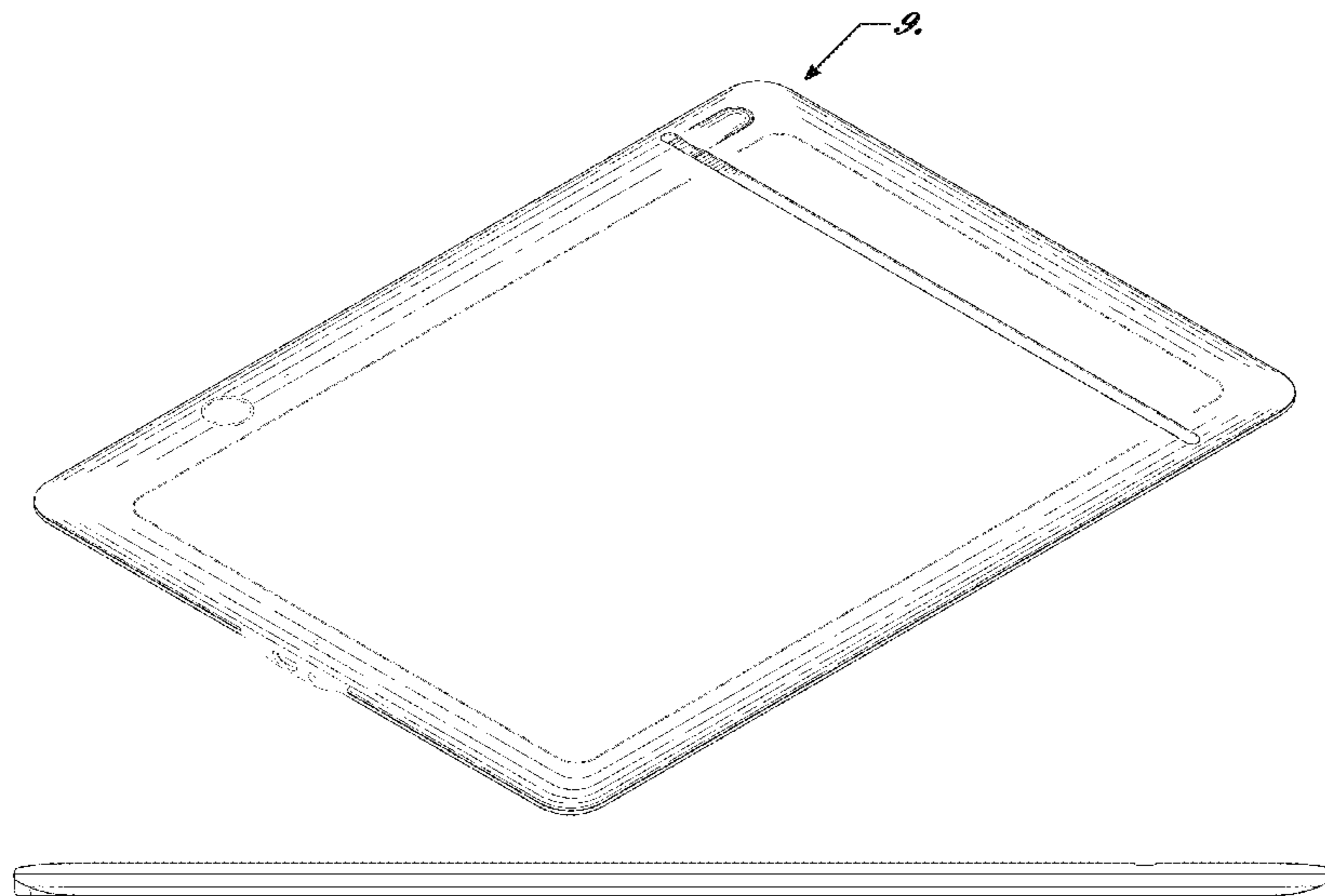
(56) **References Cited**

U.S. PATENT DOCUMENTS

D617,299 S * 6/2010 Tzeng D14/138 AA
D646,679 S * 10/2011 Dan D14/341

(Continued)

1 Claim, 8 Drawing Sheets



(58) **Field of Classification Search**

CPC . A63H 33/3016; G06F 1/1613; G06F 1/1641;
G06F 1/1643; G06F 1/1647; G06F
3/04883; G06F 3/0486; G06F 3/04847;
G06F 3/04845; G06F 3/0484; G06F
3/04817; H05K 5/0004; H05K 5/0017;
H05K 5/02; H05K 5/0217; H04M 1/0279;
H04M 1/0281; H04M 1/0283; H04N
13/0459

See application file for complete search history.

(56) **References Cited**

U.S. PATENT DOCUMENTS

D671,113 S * 11/2012 Amemiya D14/341
D673,560 S * 1/2013 Kim D14/341
D679,271 S * 4/2013 Liu D13/103
D691,104 S * 10/2013 Park D14/138 G
D702,229 S * 4/2014 Lim D14/341
D710,349 S * 8/2014 Han D14/341
D722,582 S * 2/2015 Kim D14/138 G
D736,764 S * 8/2015 Yagi D14/341

D742,873 S * 11/2015 Ahn D14/341
D750,066 S * 2/2016 Lin D14/341
D751,546 S * 3/2016 Guo D14/341
9,300,344 B2 * 3/2016 Rayner H01H 13/06
9,367,155 B2 * 6/2016 Wang G06F 3/041

OTHER PUBLICATIONS

Boogie Board 2Pack Jot 8.5" LCD eWriter Blue Accent Electronic Notepad Club Sleeve Bundle, posted Nov. 15, 2016, [retrieved May 11, 2018]. Retrieved from Internet, <URL: <http://www.kmart.com/boogie-board-2pack-jot-8.5inch-lcd-ewriter-blue/p-SPM10390710218> >.*

Wacom Bamboo smart notepads review: Wacom's smart notepads slowly bridge the digital note-taking divide, posted Jul. 7, 2011, [retrieved May 11, 2018]. Retrieved from Internet, <URL: <https://www.cnet.com/products/wacom-bamboo-smart-notepads/review/>>.*
iRex DR800SG E-Reader, posted Sep. 24, 2009, [retrieved May 11, 2018]. Retrieved from Internet, <URL: <https://www.geeky-gadgets.com/irex-dr00sg-e-reader-24-09-2009/> >.*

* cited by examiner

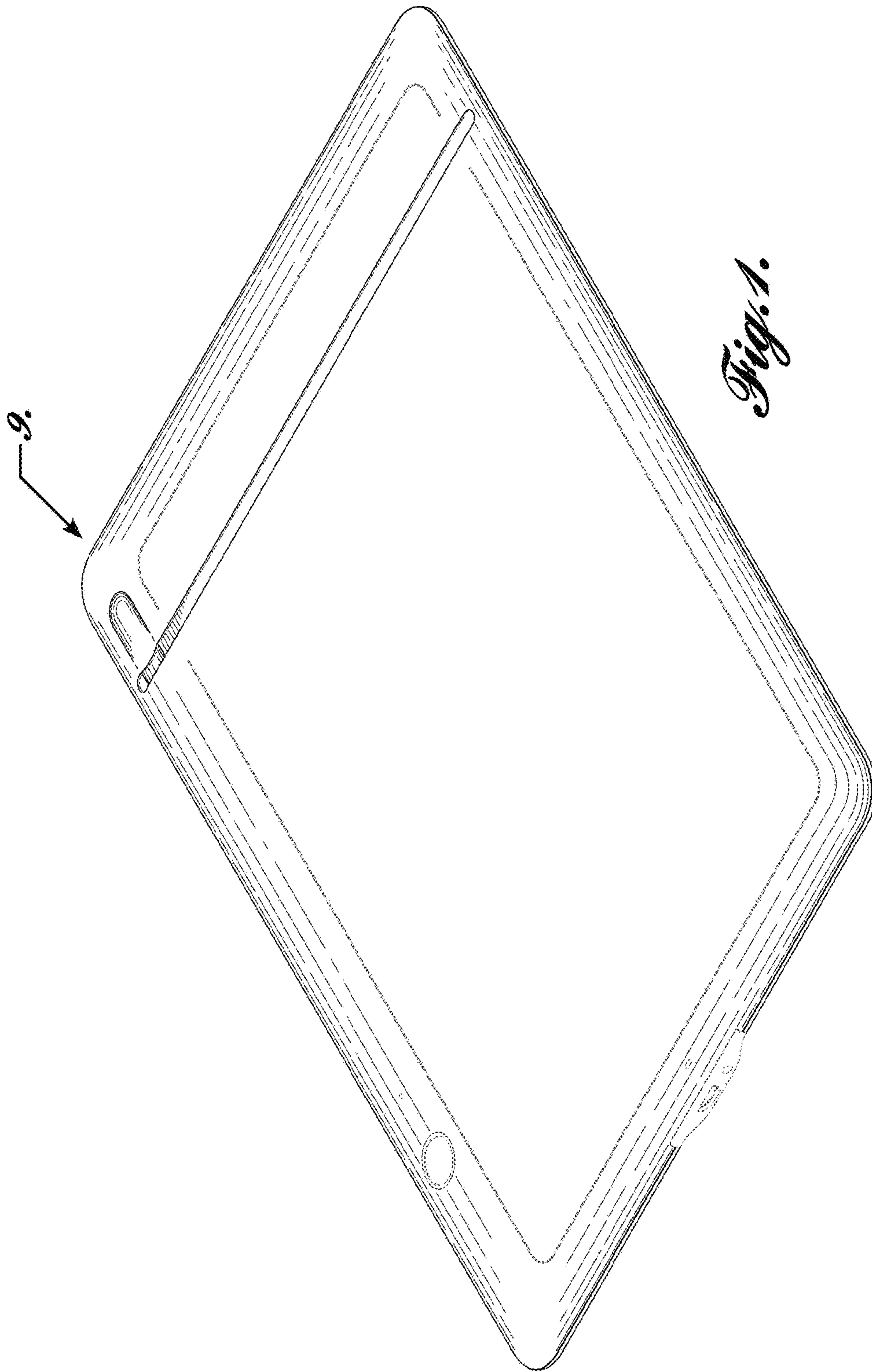


Fig. 1.

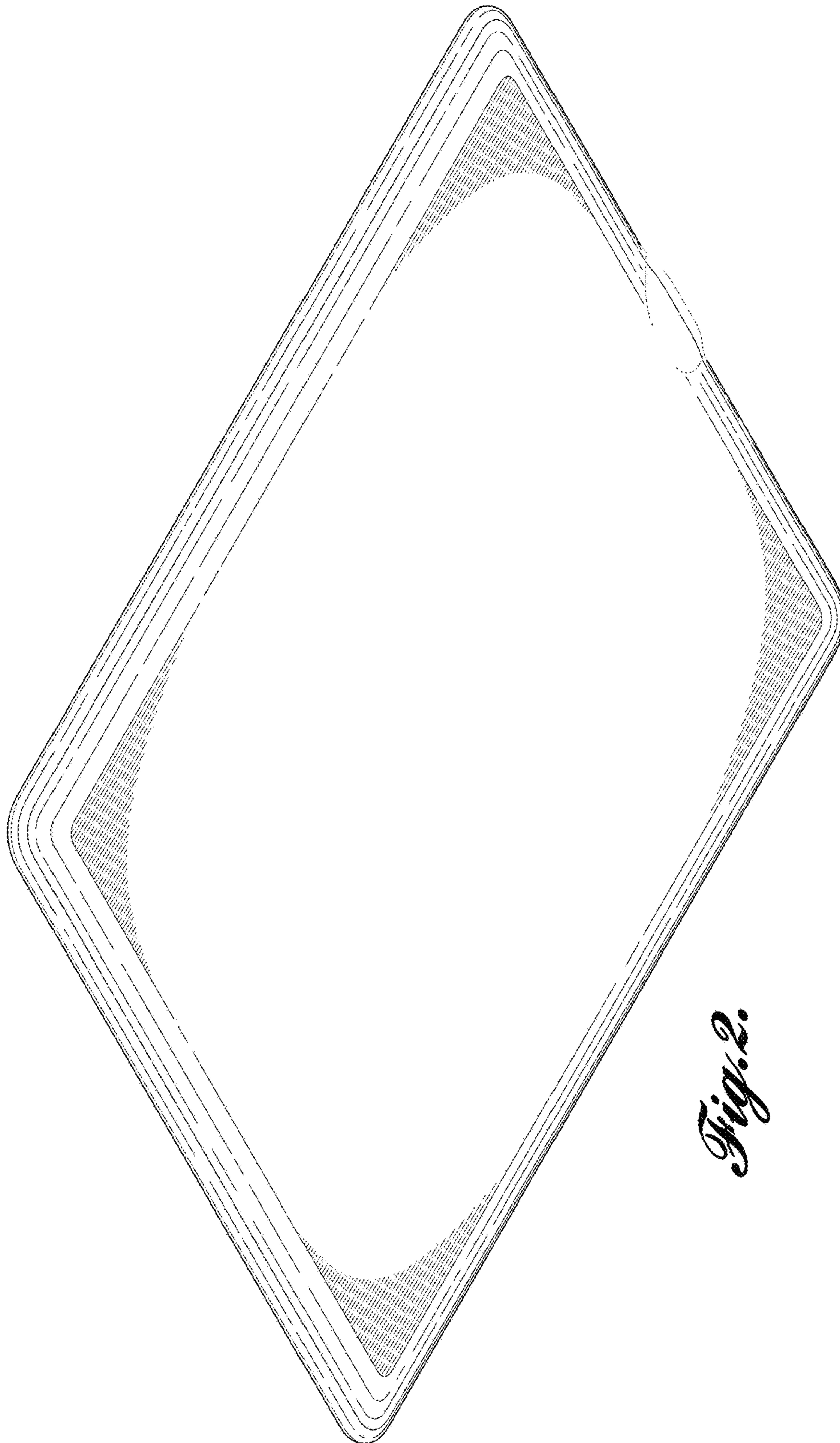


Fig. 2.

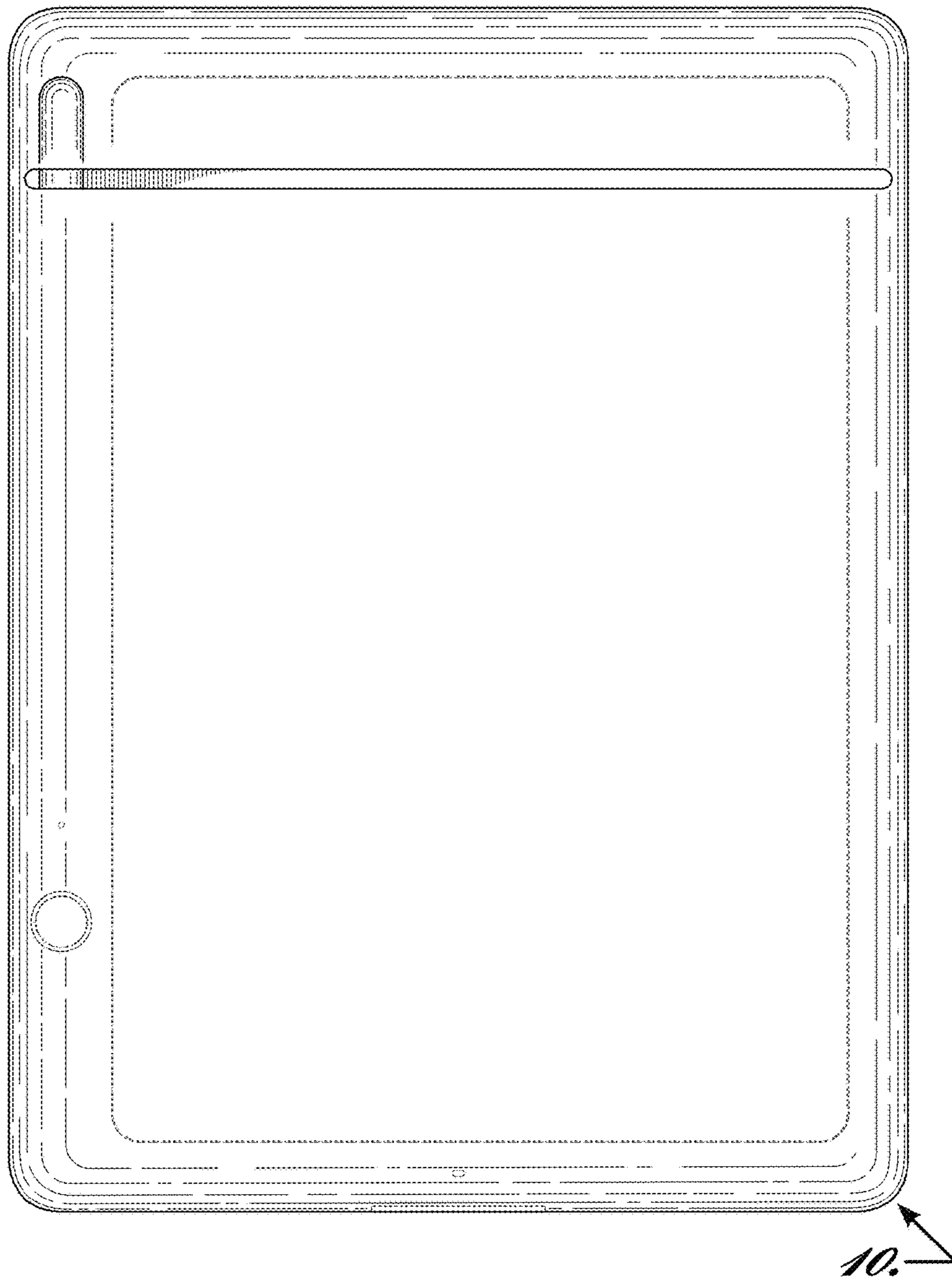


Fig. 3.

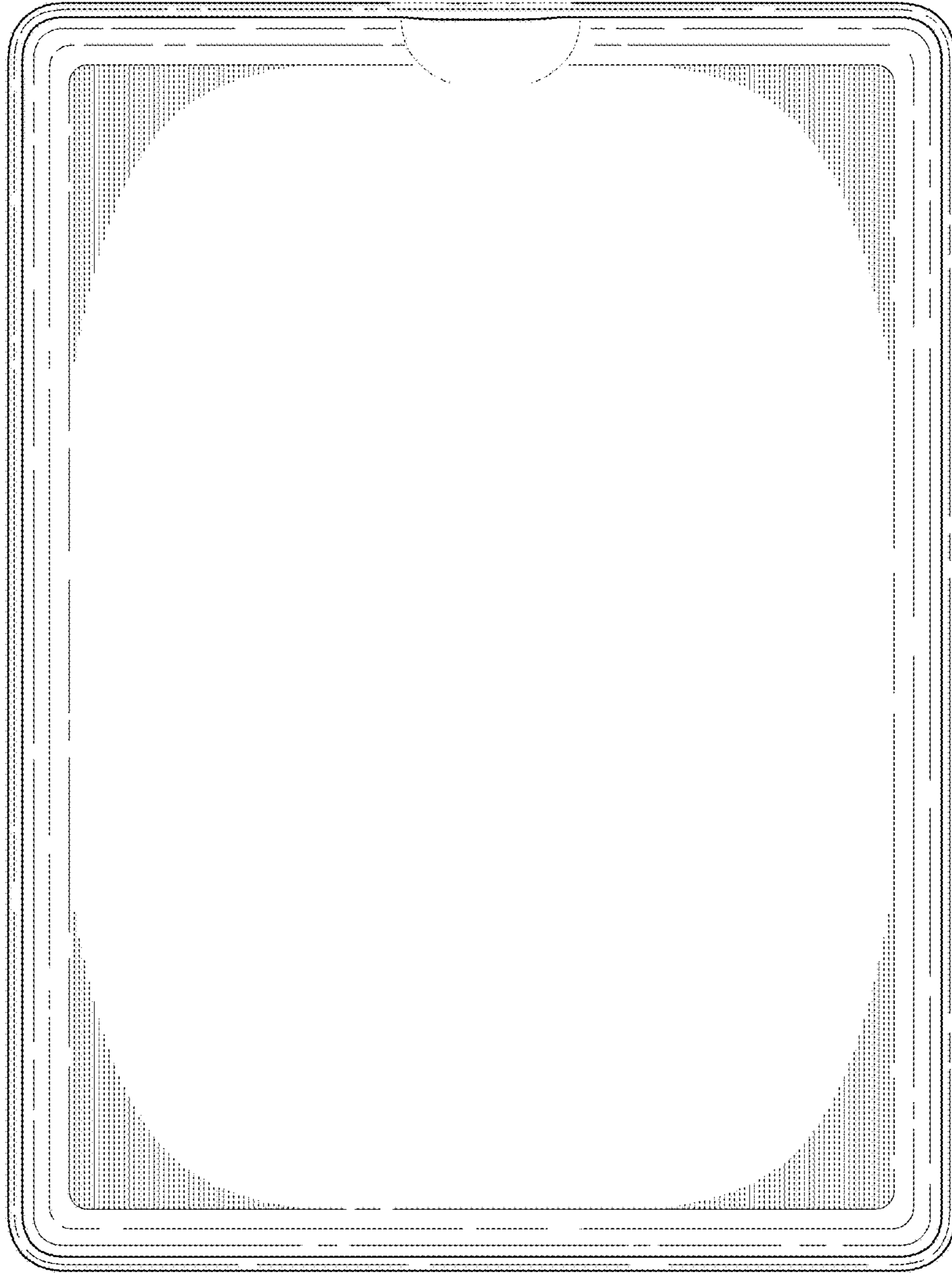


Fig. 4.



Fig. 5.

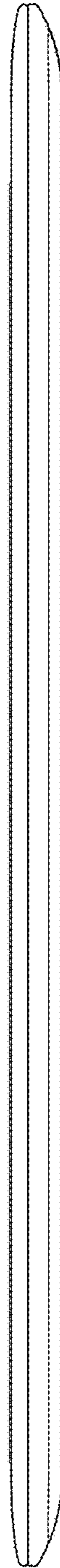


Fig. 6.

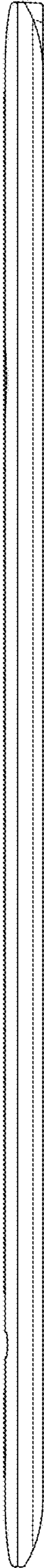


Fig. 7.

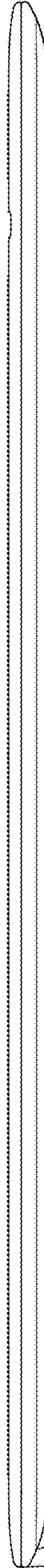


Fig. 8.

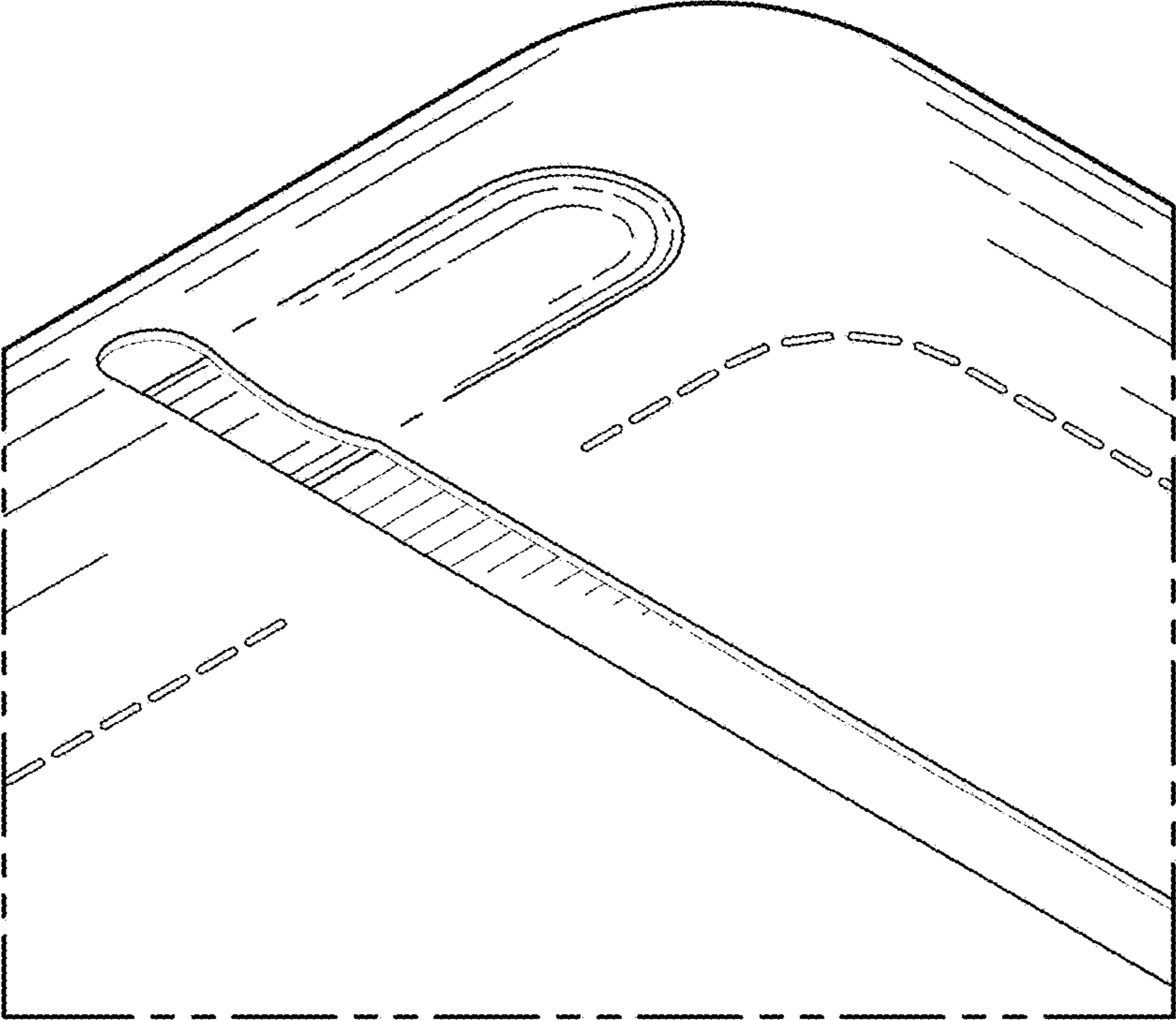


Fig. 9.

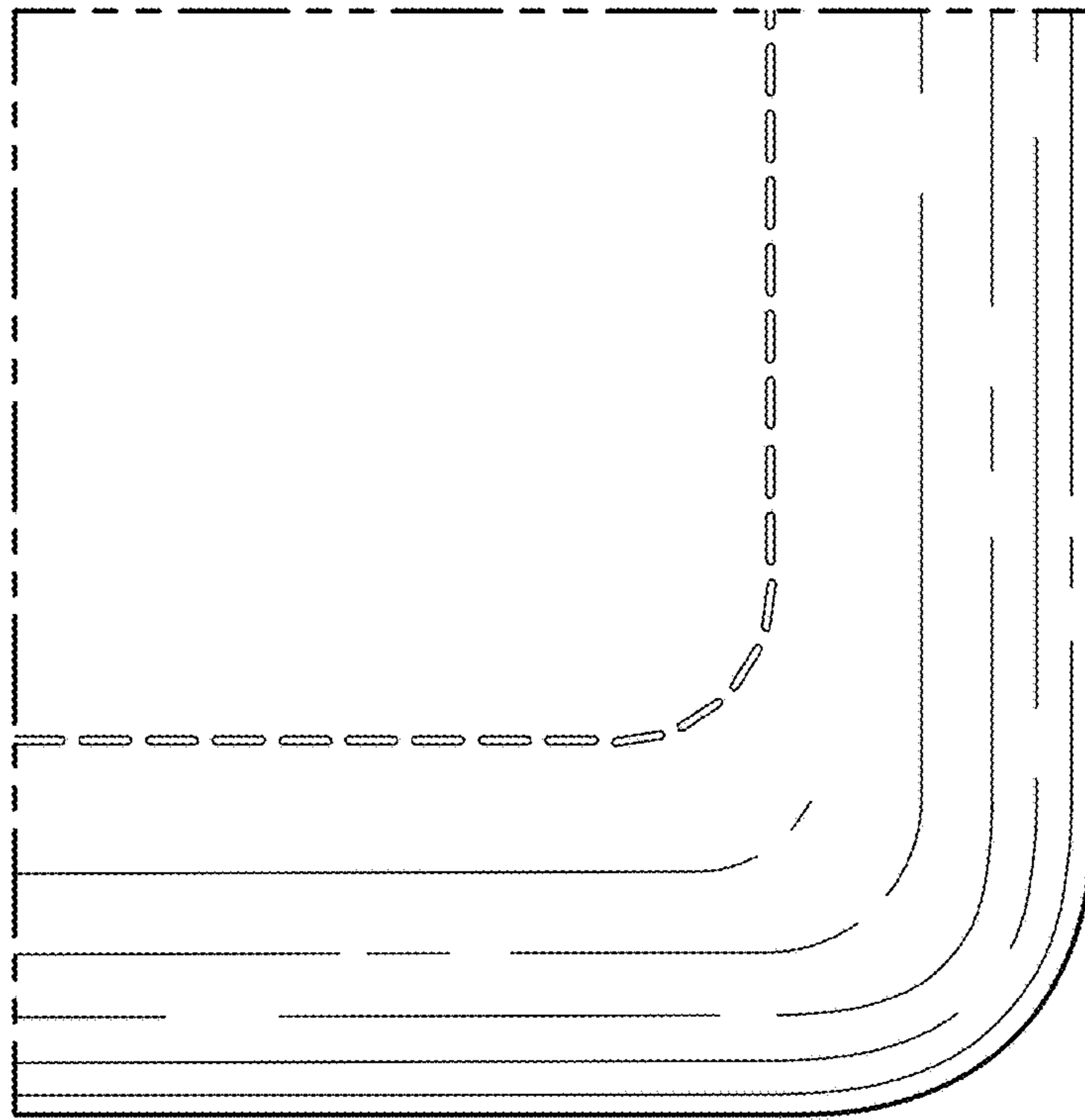


Fig. 10.