



US00D863291S

(12) **United States Design Patent**
Shi

(10) **Patent No.:** **US D863,291 S**
(45) **Date of Patent:** **** Oct. 15, 2019**

(54) **PHONE HOLDER**

(71) Applicant: **BEIJING YITAO TECHNOLOGY CO., LTD.**, Beijing (CN)

(72) Inventor: **Jianfei Shi**, Yingkou (CN)

(73) Assignee: **BEIJING YITAO TECHNOLOGY CO., LTD.**, Beijing (CN)

(**) Term: **15 Years**

(21) Appl. No.: **29/698,423**

(22) Filed: **Jul. 17, 2019**

(51) **LOC (12) Cl.** **14-03**

(52) **U.S. Cl.**
USPC **D14/253**

(58) **Field of Classification Search**
USPC D14/251–253, 447, 451, 452, 440, 434, D14/458, 432, 439, 457, 460, 238.1, 140, D14/142, 149, 217, 148, 140.8, 140.11, D14/209.1, 151, 140.9, 250, 238; D13/107, 108; D12/415, 223, 114, 420, D12/417, 407, 177; D3/218, 215; D16/242–245, 250, 237, 203, 214, 219; D8/349; D6/675, 672, 673, 675.4, 553, D6/676, 310, 406.3, 406.4, 406.5, 406.6, D6/407, 567, 300, 682.3; 248/459, 460; 224/483

CPC F16M 11/00; F16M 11/04; F16M 11/041; F16M 11/02; F16M 11/06; F16M 13/00; H04M 1/02; H04M 1/04; H04M 1/11; H04M 1/12; A47F 7/022; B62J 11/00; H05K 7/00; G03B 17/56

See application file for complete search history.

(56) **References Cited**

U.S. PATENT DOCUMENTS

D664,528 S * 7/2012 Chen D14/253
D666,614 S * 9/2012 Ding D14/253
D671,934 S * 12/2012 Alman D14/253

D672,783 S * 12/2012 Robinson D14/447
D679,700 S * 4/2013 Werth D14/253
D684,963 S * 6/2013 Goodrich D14/253
D685,366 S * 7/2013 Ding D14/253
D686,200 S * 7/2013 Huang D14/253
D686,609 S * 7/2013 Kadivar D14/253
D688,235 S * 8/2013 Song D14/253
D703,214 S * 4/2014 Lye D14/447
D703,659 S * 4/2014 Werth D14/253
D723,536 S * 3/2015 Werth D14/253
D760,214 S * 6/2016 Kemper D14/253

(Continued)

OTHER PUBLICATIONS

“Eono Essentials Phone Stand, Phone Dock : Universal Stand, Cradle, Holder, Dock Compatible with Phone XS XS MAX XR X 8 7 6S Plus 5S 4S, Nintendo Switch, Huawei, Other Smart Phones—Black”, Retrieved Jul. 16, 2019]. Retrieved from Internet, <https://www.amazon.es/Eono-Essentials-Phone-Stand-Dock/dp/B07NTVTKPS/>.

(Continued)

Primary Examiner — Janice Hallmark

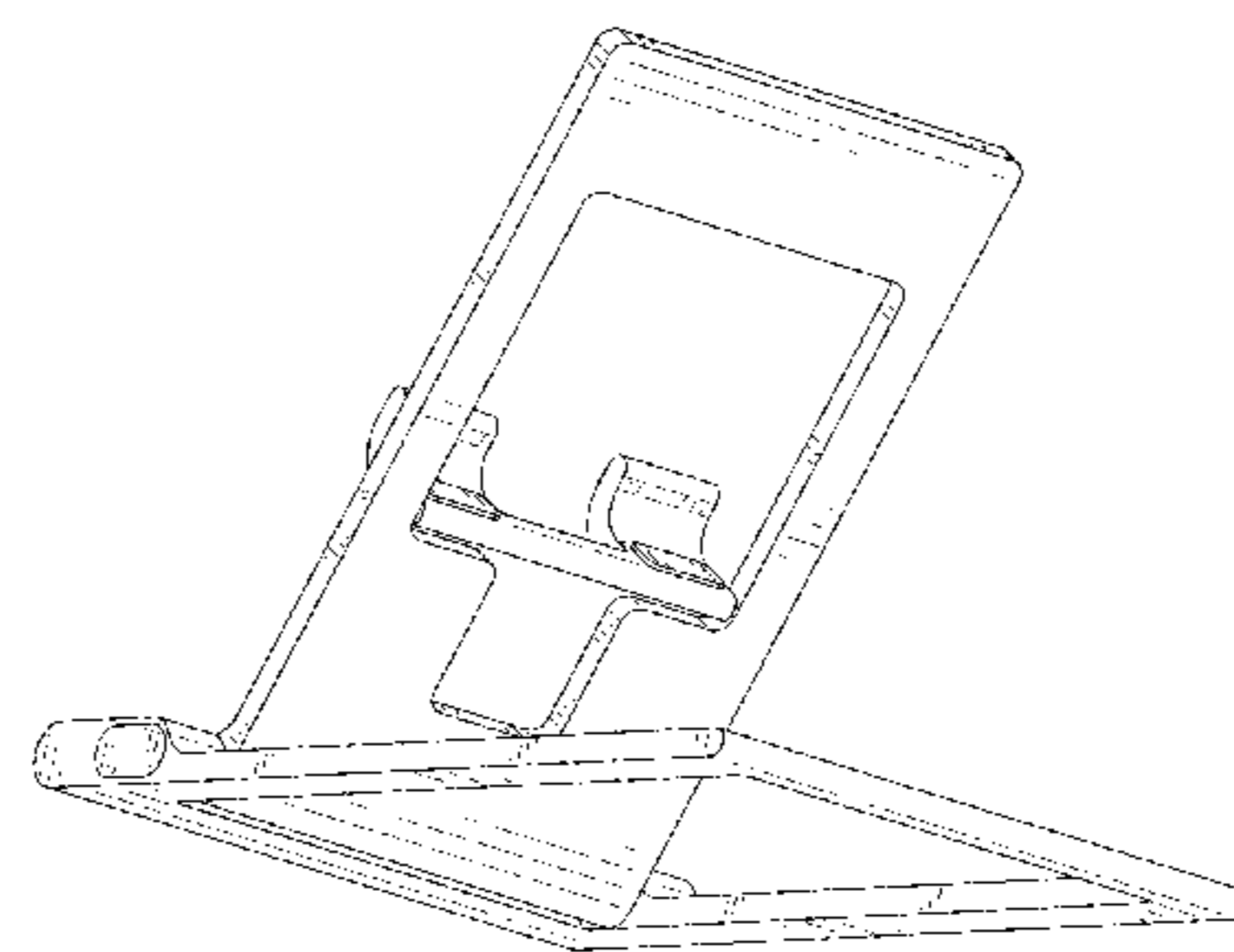
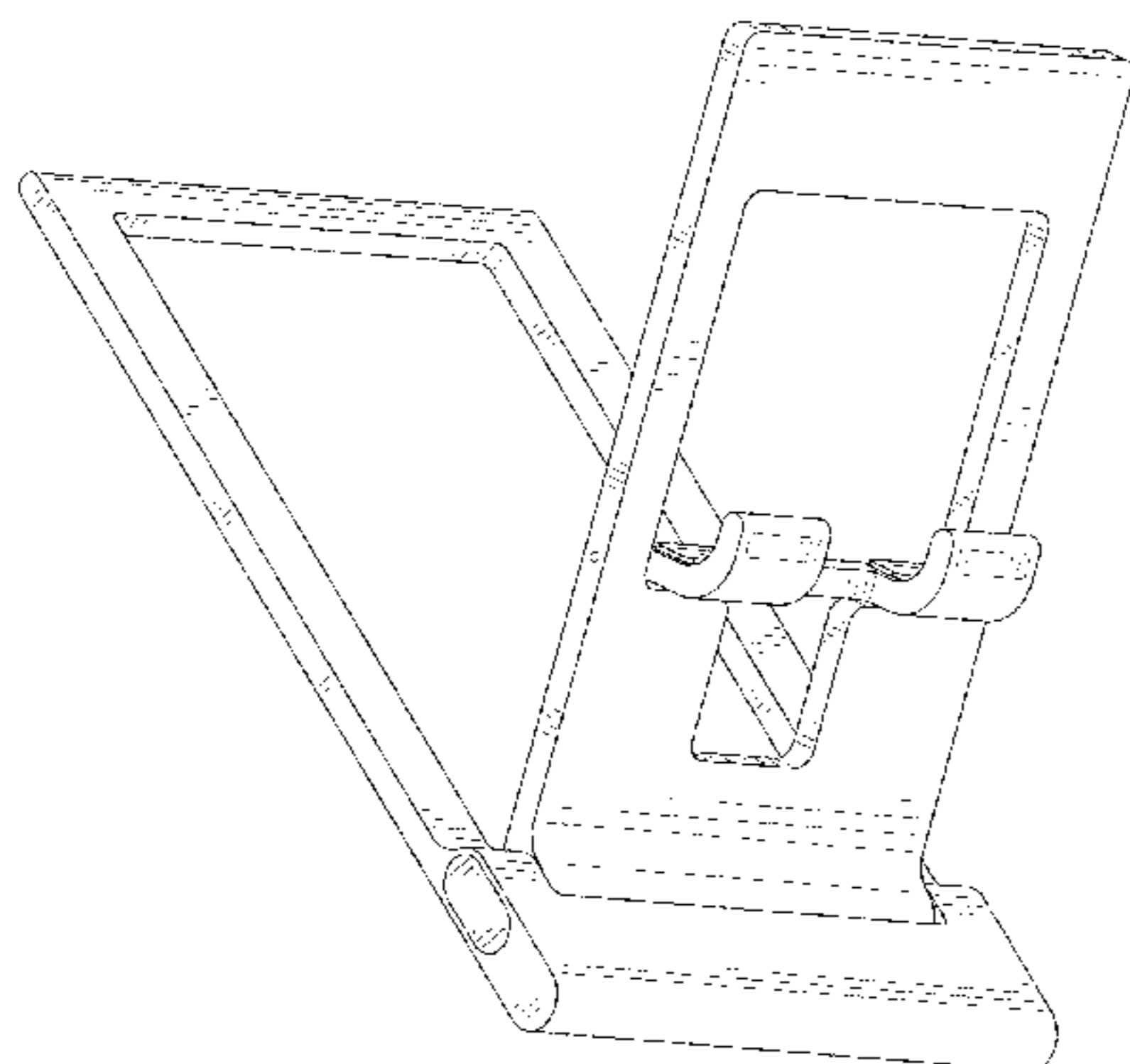
(57) **CLAIM**

The ornamental design for a phone holder, as shown and described.

DESCRIPTION

FIG. 1 is a perspective view of a phone holder showing my new design;
FIG. 2 is another perspective view thereof;
FIG. 3 is a front elevational view thereof;
FIG. 4 is a rear elevational view thereof;
FIG. 5 is a right side elevational view thereof;
FIG. 6 is a left side elevational view thereof;
FIG. 7 is a top plan view thereof;
FIG. 8 is a bottom plan view thereof; and,
FIG. 9 is a perspective view of the phone holder where the phone holder is in a folding state.

1 Claim, 9 Drawing Sheets



(56)

References Cited

U.S. PATENT DOCUMENTS

D816,027	S *	4/2018	Chen	D13/108
D839,869	S *	2/2019	Wang	D14/253
D842,851	S *	3/2019	Leitman	D14/253
D857,005	S *	8/2019	Yu	D14/253
2003/0001064	A1 *	1/2003	Book	A47B 21/045 248/460
2004/0007649	A1 *	1/2004	Vettraino	F16M 11/10 248/127
2009/0179132	A1 *	7/2009	Qin	A47B 23/043 248/371
2011/0253850	A1 *	10/2011	Bau	H04M 1/0214 248/176.3
2012/0074286	A1 *	3/2012	Chou	F16M 11/38 248/346.03
2014/0151524	A1 *	6/2014	Katterheinrich	F16M 11/10 248/456
2014/0153182	A1 *	6/2014	North	G06F 1/1632 361/679.41

OTHER PUBLICATIONS

“Rondaa Plastic Portable Mini Stand Foldable Holder for Mobile Phone/Tablet”, Retrieved Jul. 16, 2019]. Retrieved from Internet, <https://www.amazon.es/RONDAA-Plastic-Portable-Foldable-Holder/dp/B07PHF9J7H/>.

* cited by examiner

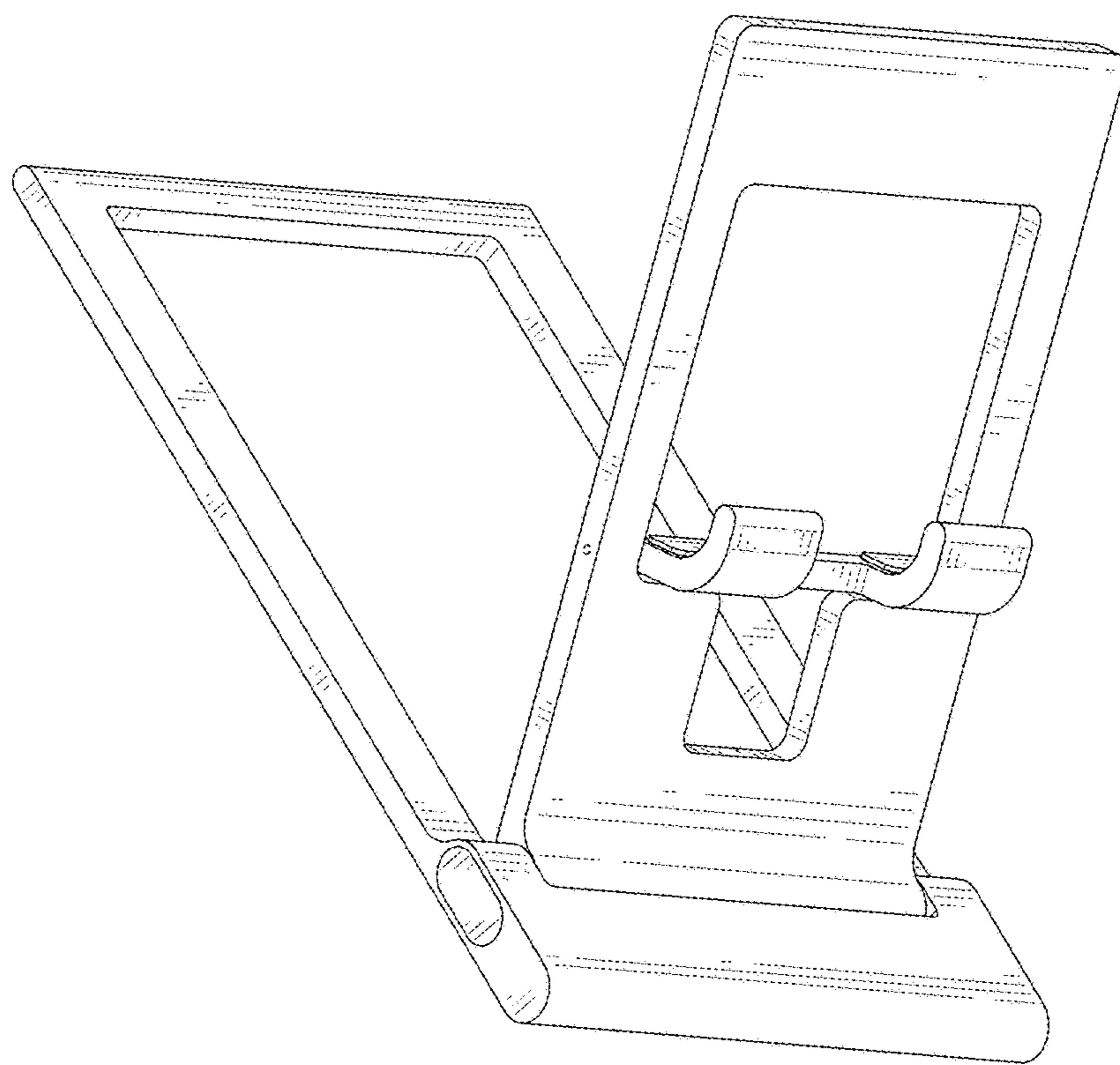


FIG. 1

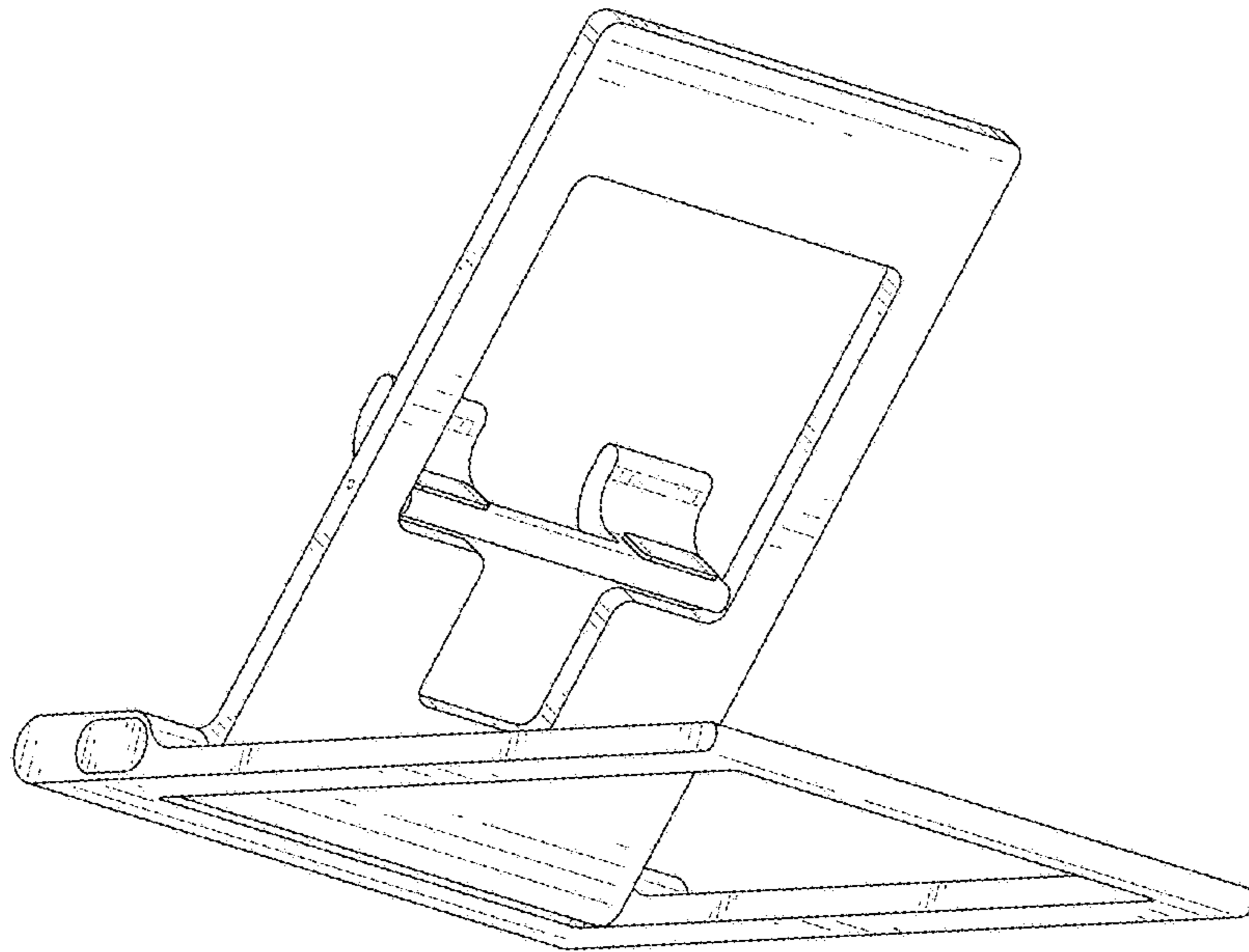


FIG. 2

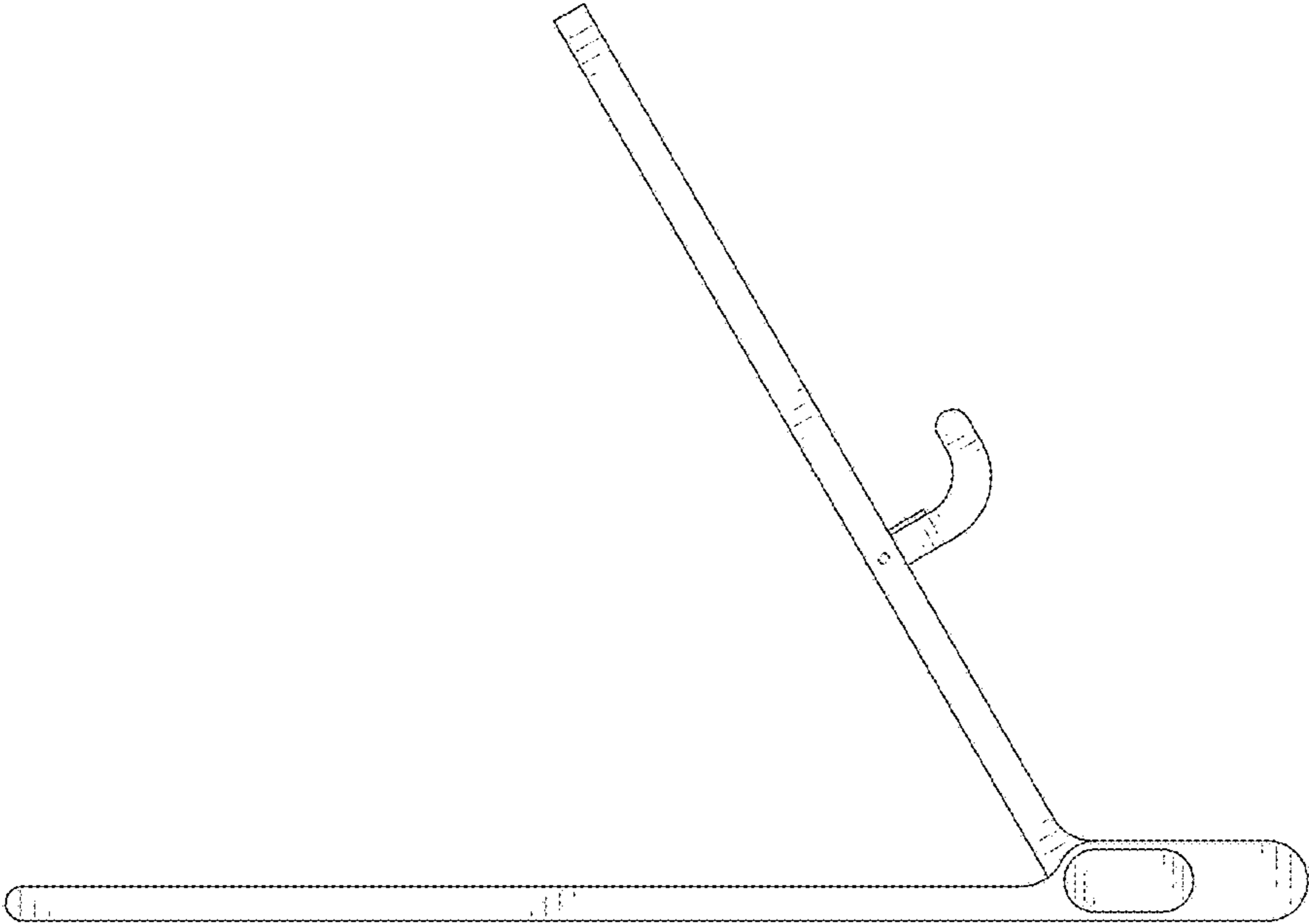


FIG. 3

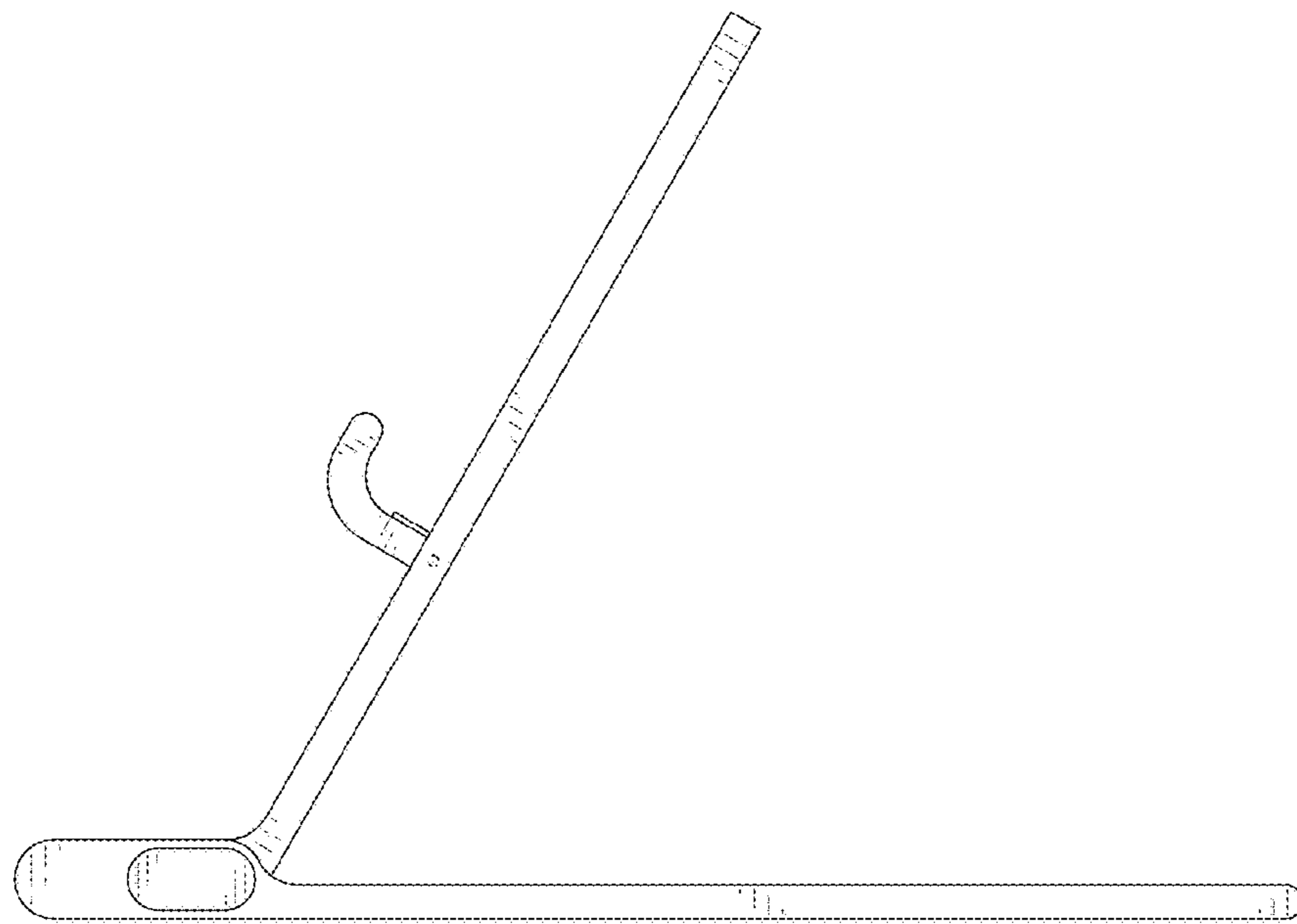


FIG. 4

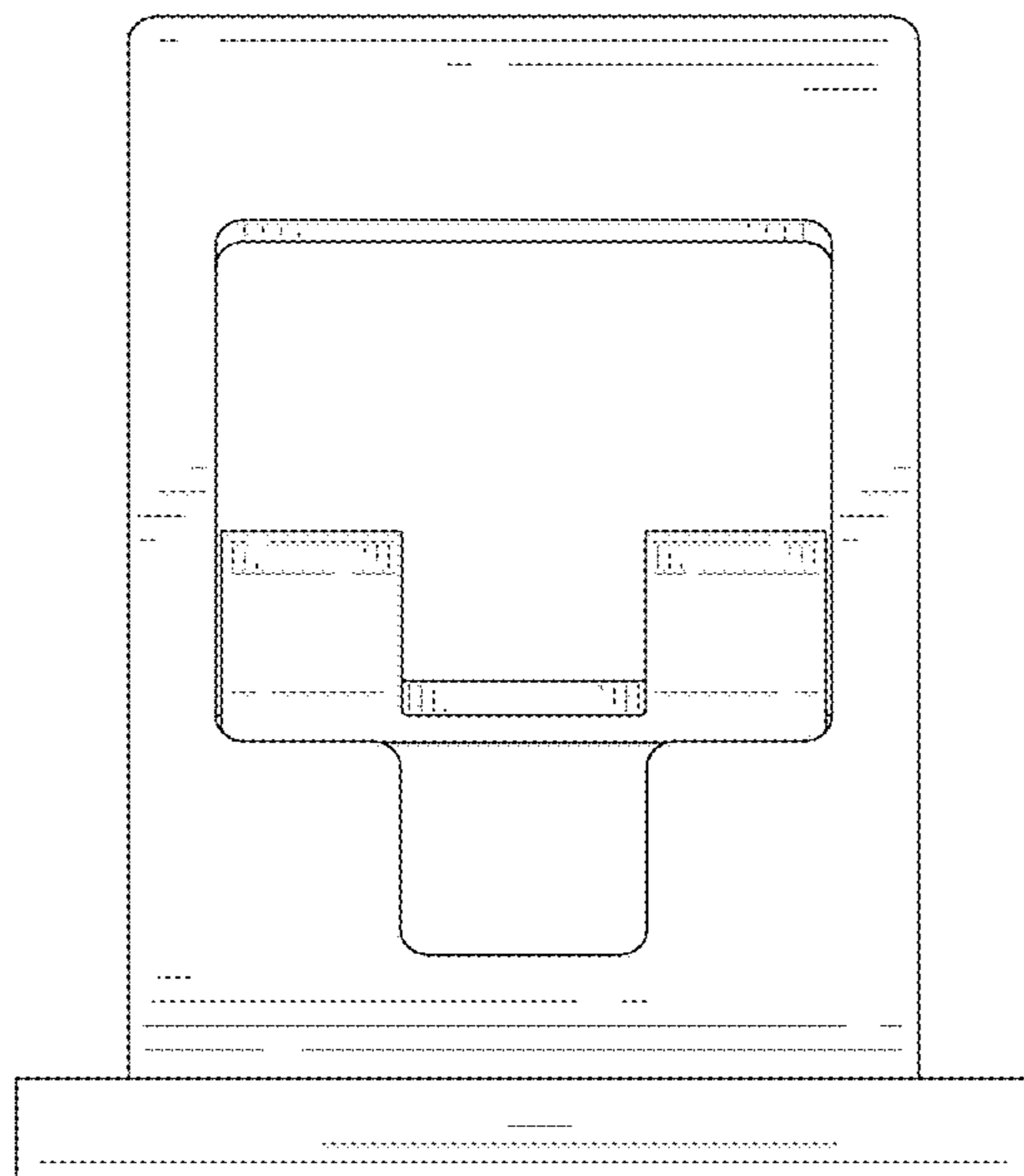


FIG. 5

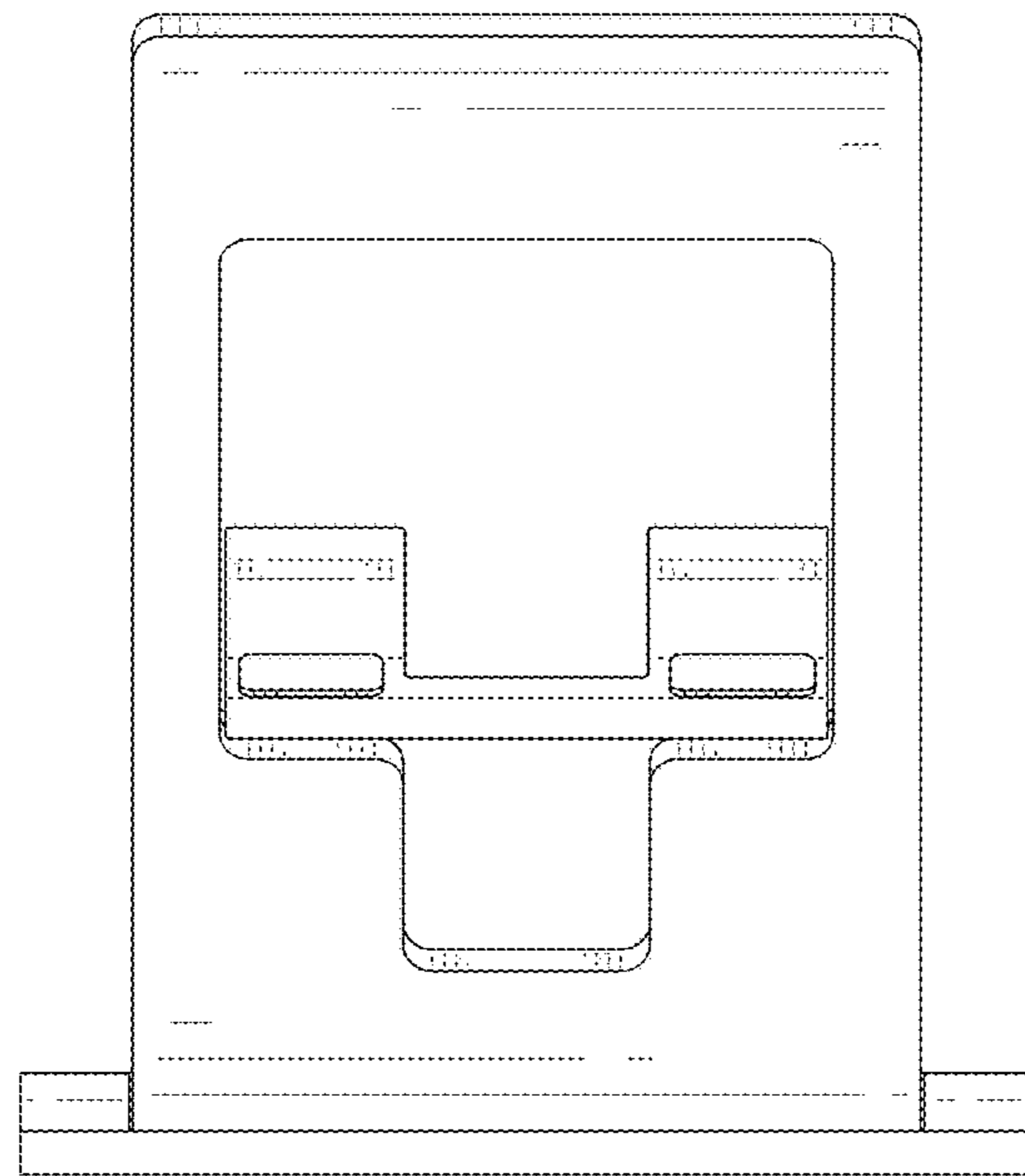


FIG. 6

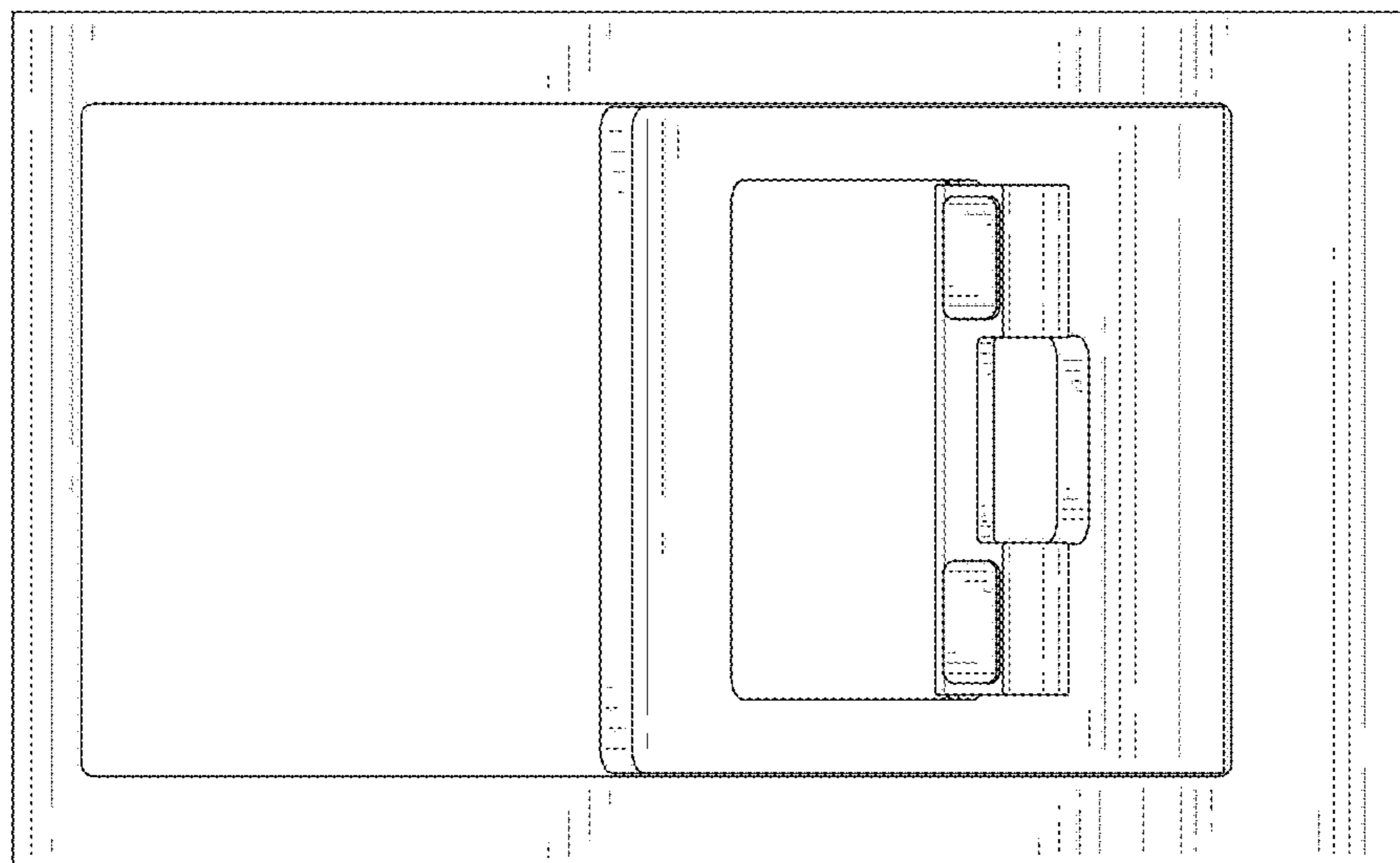


FIG. 7

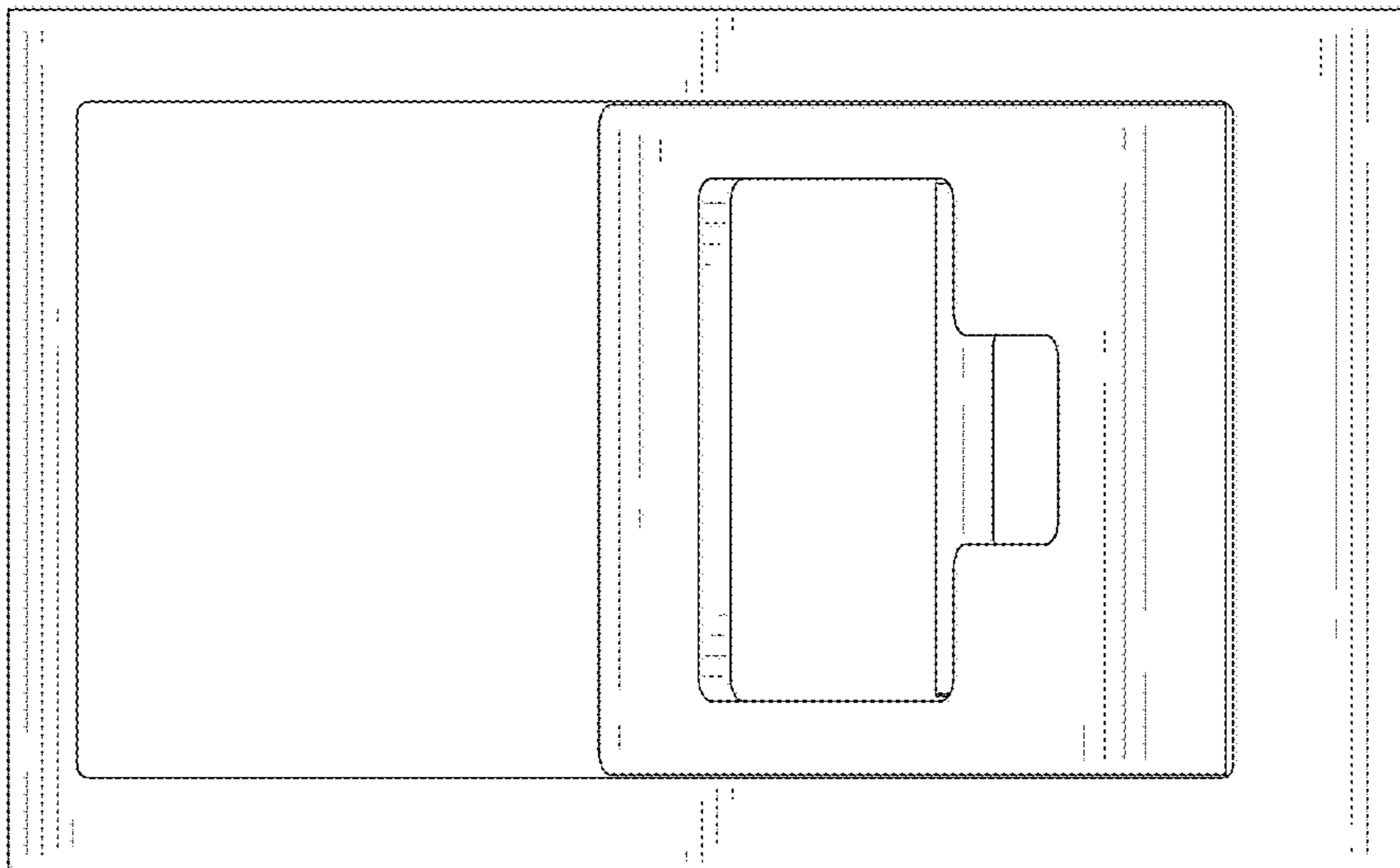


FIG. 8

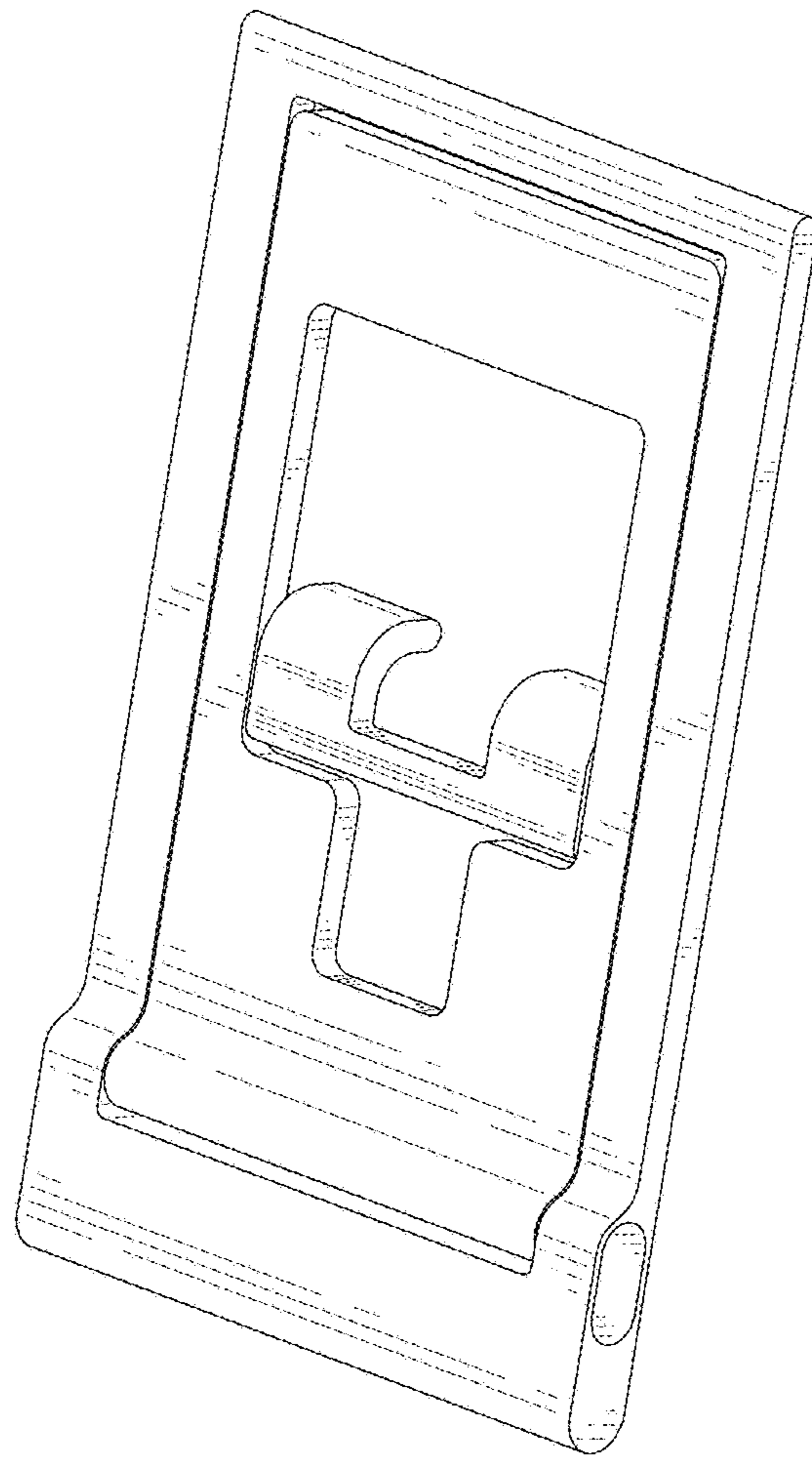


FIG. 9