



US00D863290S

(12) **United States Design Patent**  
**Ormsbee et al.**

(10) **Patent No.:** **US D863,290 S**

(45) **Date of Patent:** **\*\* Oct. 15, 2019**

(54) **MOBILE DEVICE HOLDER**

(71) Applicant: **NITE IZE, INC.**, Boulder, CO (US)

(72) Inventors: **Bowden Ormsbee**, Longmont, CO (US); **Steve Lindquist**, Broomfield, CO (US)

(73) Assignee: **Nite Ize, Inc.**, Boulder, CO (US)

(\*\*) Term: **15 Years**

(21) Appl. No.: **29/629,847**

(22) Filed: **Dec. 15, 2017**

(51) **LOC (12) Cl.** ..... **14-03**

(52) **U.S. Cl.**  
USPC ..... **D14/253**

(58) **Field of Classification Search**  
USPC ..... D14/251-253, 358, 432, 434, 440, 447;  
D3/218; D16/242, 243; D12/415;  
D13/107, 108  
CPC ..... A45C 11/00; A45F 5/00; F16M 11/06  
See application file for complete search history.

(56) **References Cited**

**U.S. PATENT DOCUMENTS**

D658,168 S *	4/2012	Werth	.....	D14/253
D679,700 S *	4/2013	Werth	.....	D14/253
D703,659 S *	4/2014	Werth	.....	D14/253
D732,013 S *	6/2015	Aspinall	.....	D14/253
D749,558 S *	2/2016	Nielsen	.....	D14/251
D759,005 S *	6/2016	Murakami	.....	D14/251
D770,171 S *	11/2016	Lai	.....	D14/253
D773,449 S *	12/2016	Mellano	.....	D14/253

D784,977 S *	4/2017	Ormsbee	.....	D14/253
D840,994 S *	2/2019	Balmer	.....	D14/253
D850,436 S *	6/2019	Vogel	.....	D14/253
2015/0201723 A1 *	7/2015	Rayner	.....	G06F 1/1601 224/191
2019/0052740 A1 *	2/2019	Ormsbee	.....	B60R 11/02
2019/0185094 A1 *	6/2019	Vogel	.....	B62J 9/003

\* cited by examiner

*Primary Examiner* — Janice Hallmark

(74) *Attorney, Agent, or Firm* — Haynes and Boone, LLP

(57) **CLAIM**

The ornamental design for the mobile device holder, as shown and described.

**DESCRIPTION**

FIG. 1 shows a front perspective view of a mobile device holder;

FIG. 2 shows a rear perspective view of the mobile device holder of FIG. 1;

FIG. 3 shows a front view of the mobile device holder of FIG. 1;

FIG. 4 shows rear view of the mobile device holder of FIG. 1;

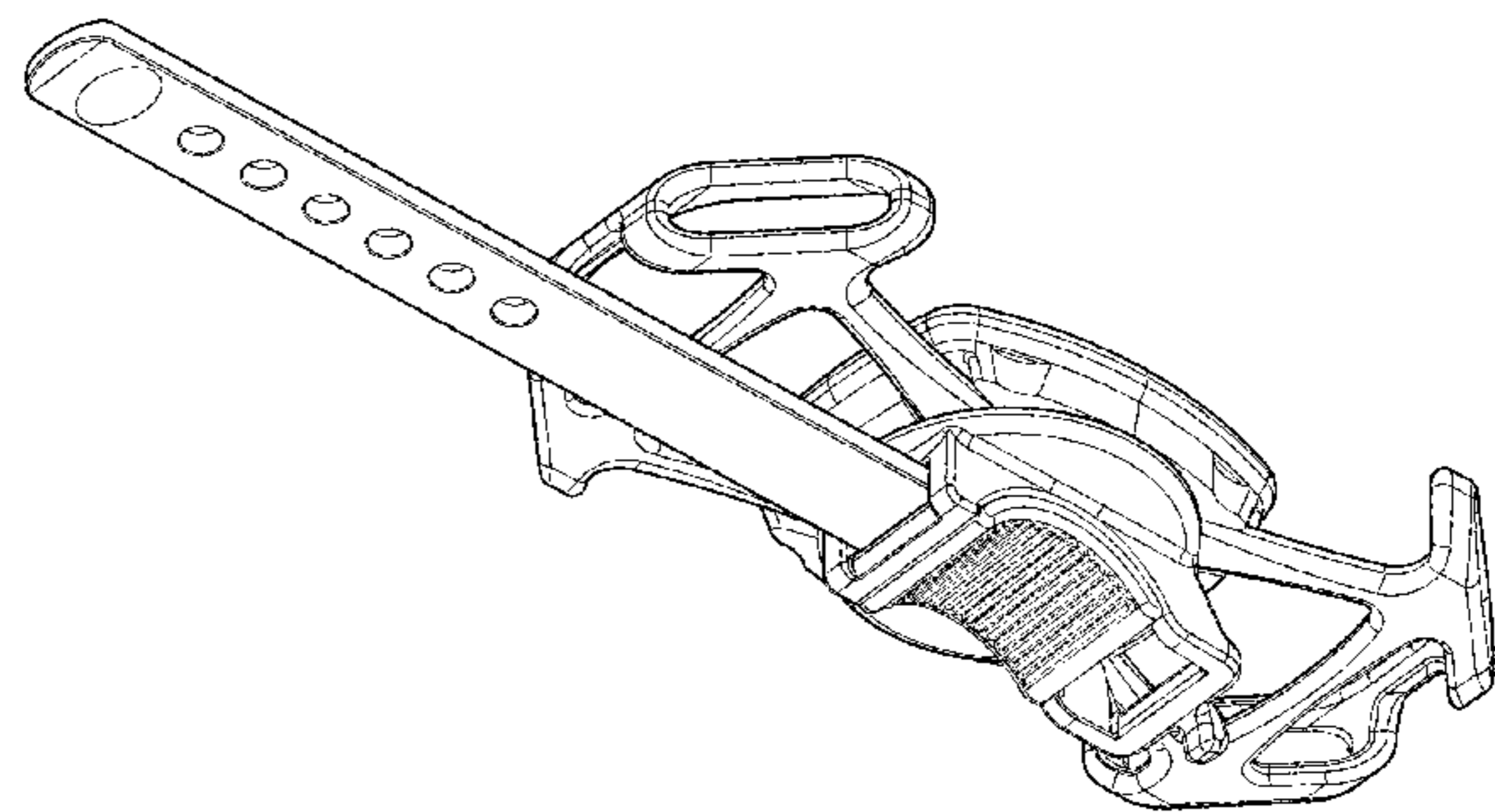
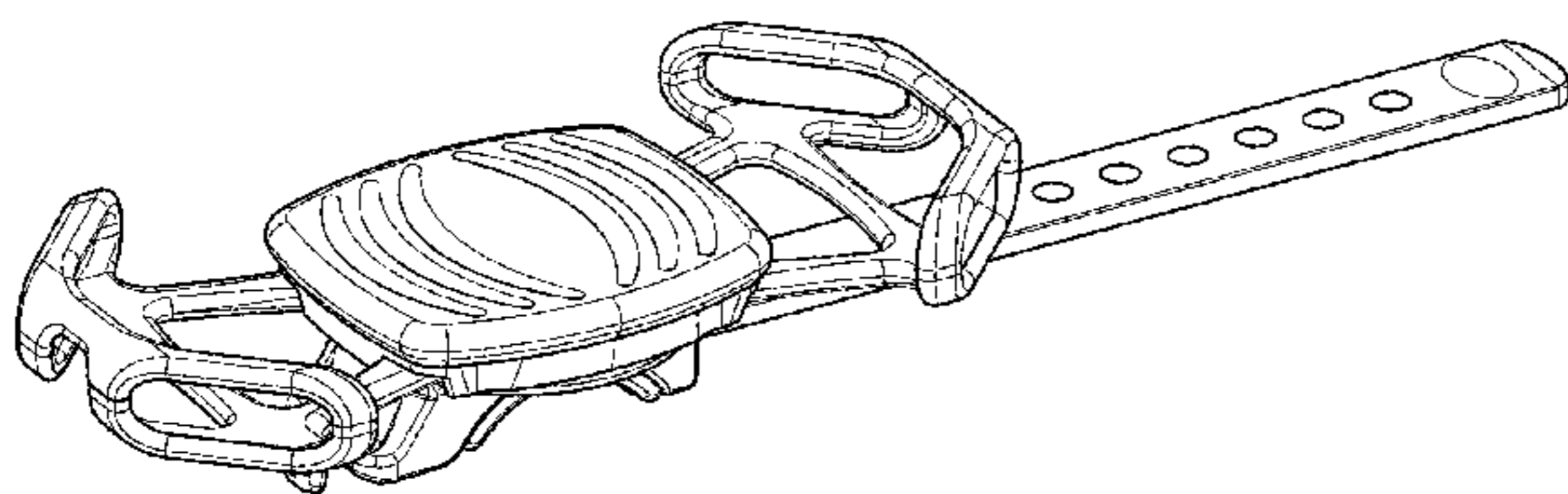
FIG. 5 shows left side view of the mobile device holder of FIG. 1;

FIG. 6 shows a right side view of the mobile device holder of FIG. 1;

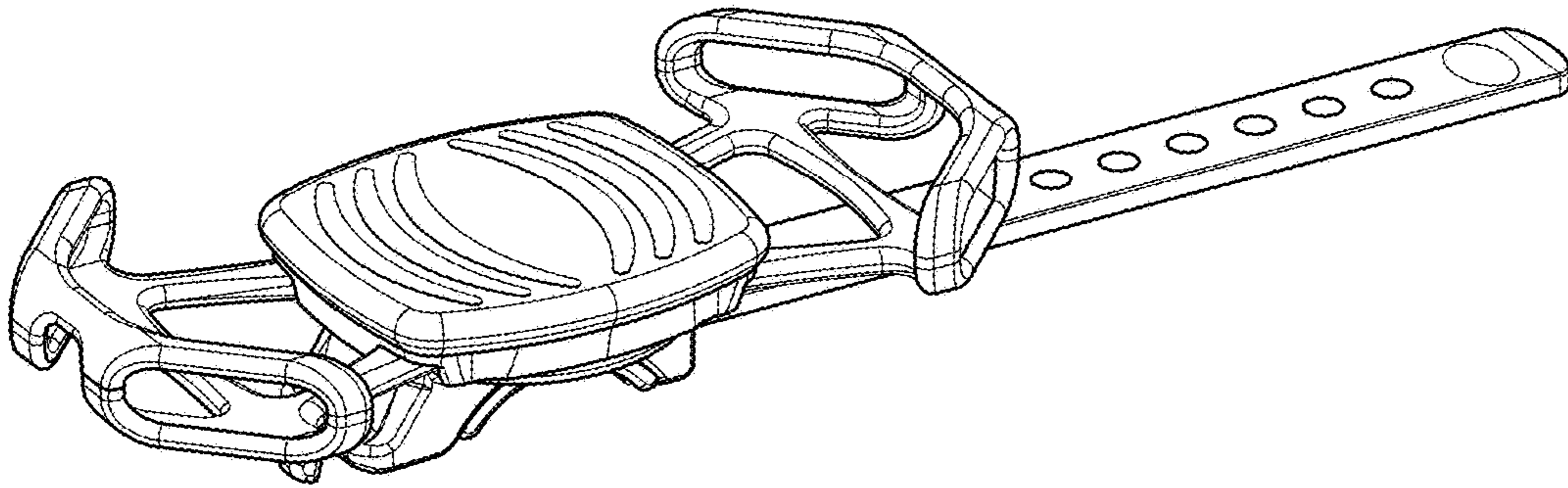
FIG. 7 shows a top view of the mobile device holder of FIG. 1; and,

FIG. 8 shows a bottom view of the mobile device holder of FIG. 1.

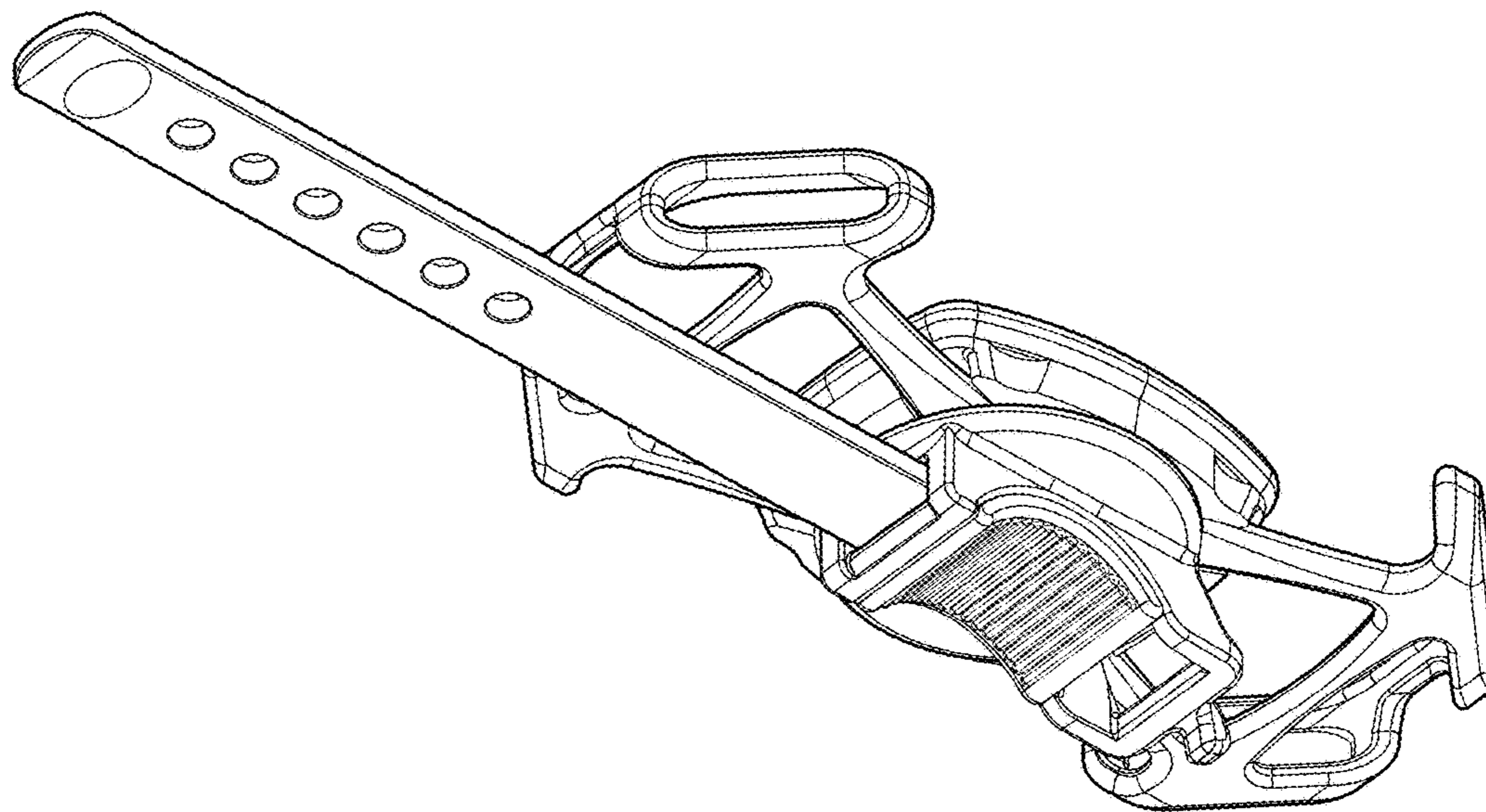
**1 Claim, 5 Drawing Sheets**



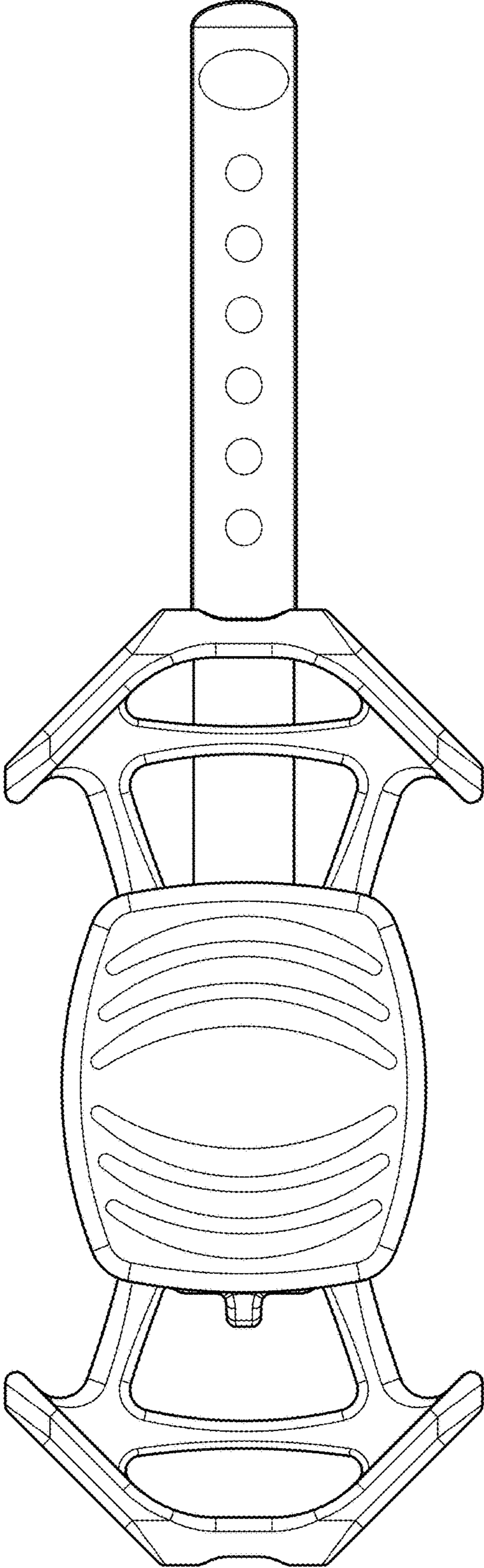
**FIG. 1**



**FIG. 2**

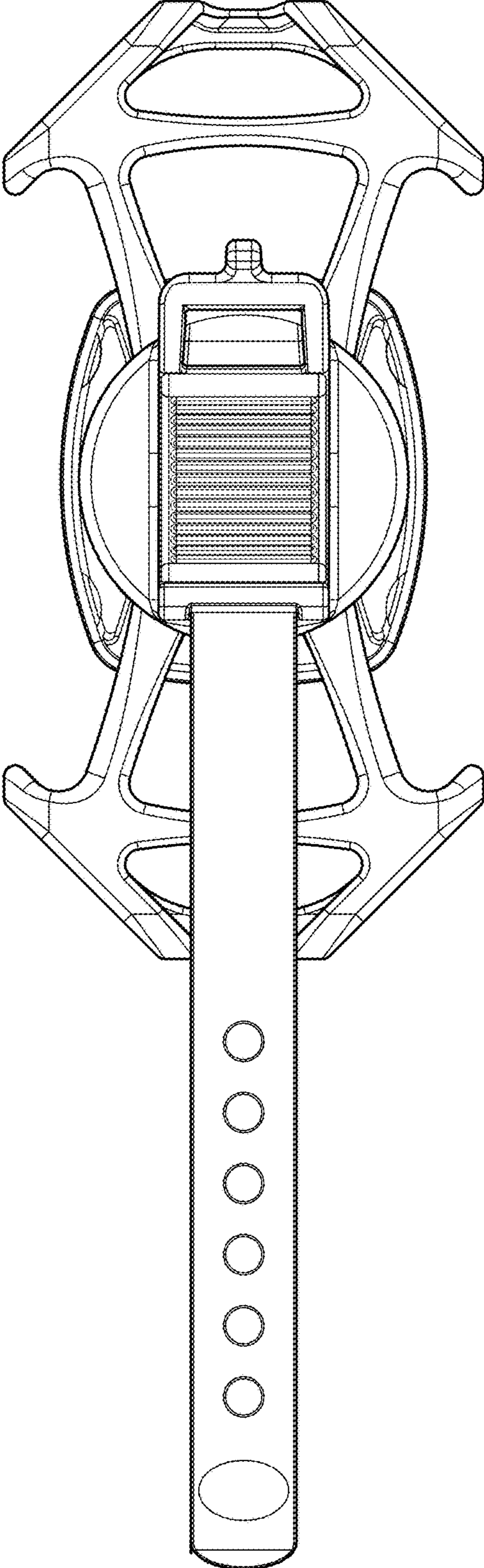


**FIG. 3**

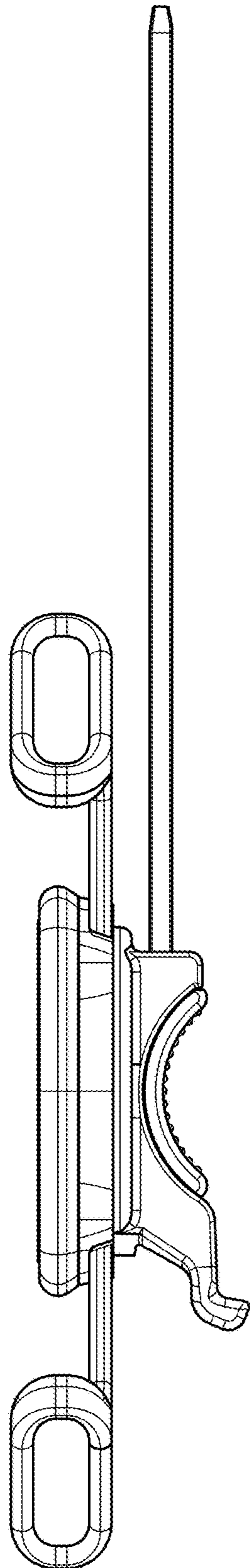




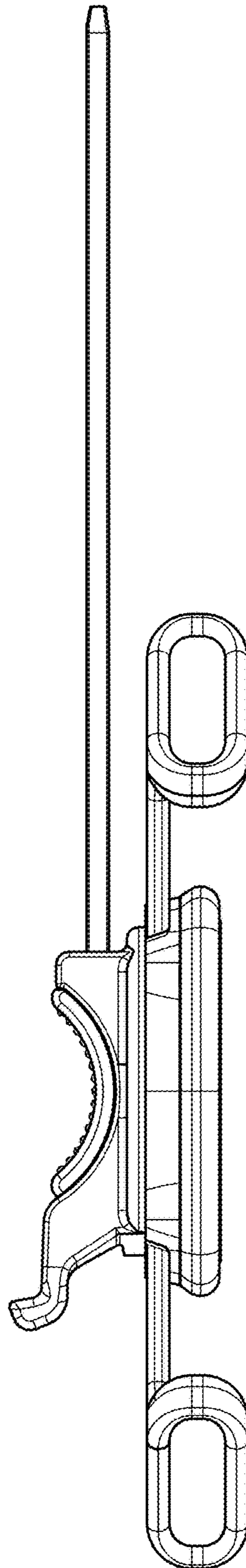
**FIG. 4**



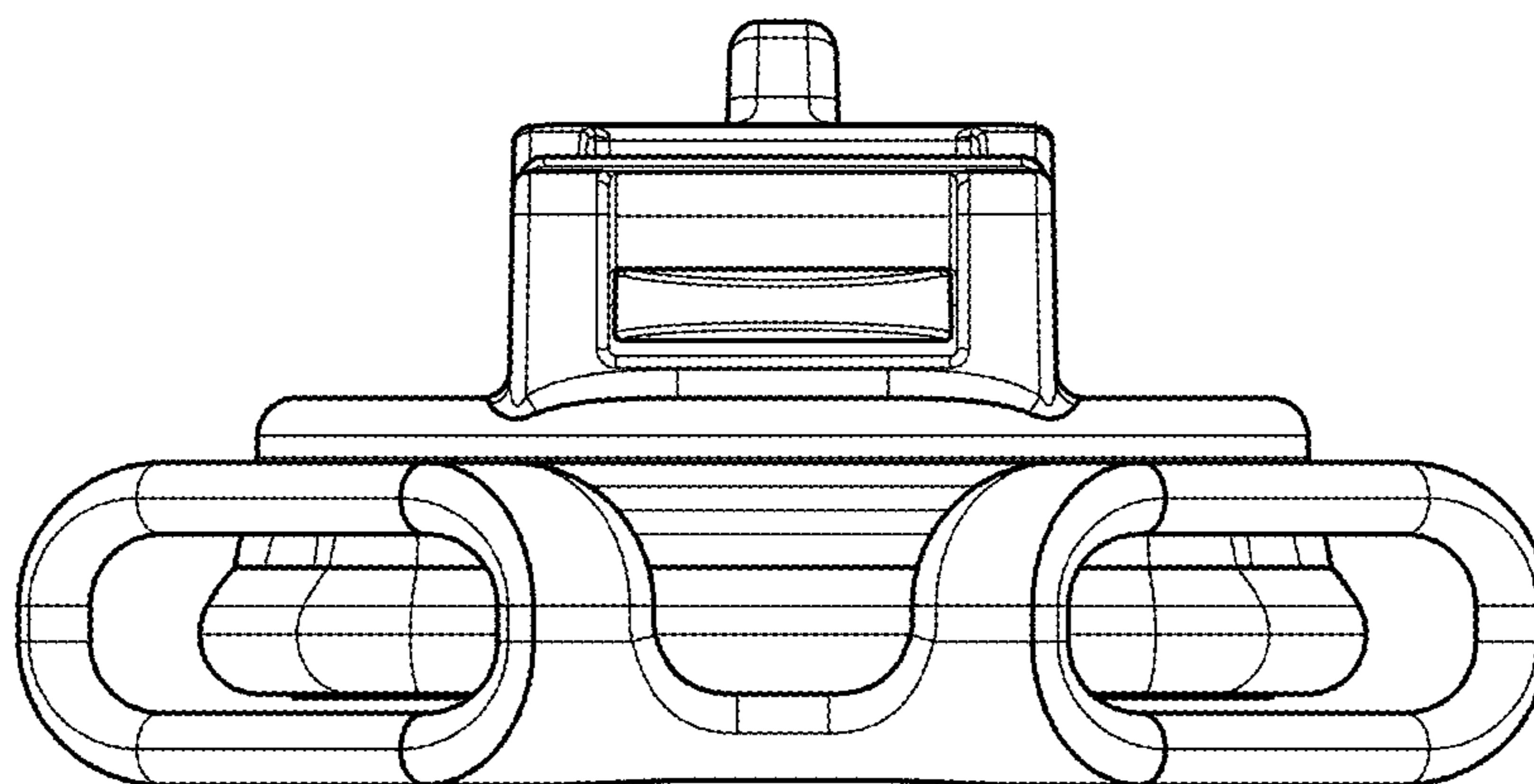
**FIG. 5**



**FIG. 6**



**FIG. 7**



**FIG. 8**

