



US00D863289S

(12) **United States Design Patent**  
**Shan et al.**

(10) **Patent No.:** **US D863,289 S**

(45) **Date of Patent:** **\*\* Oct. 15, 2019**

(54) **SELFIE DEVICE**

(71) Applicant: **Shenzhen Sen Xiyuan Technology Co., Ltd**, Shenzhen, Guangdong (CN)

(72) Inventors: **Jinghua Shan**, Guangdong (CN);  
**Jianping Wang**, Guangdong (CN)

(73) Assignee: **SHENZHEN SEN XIYUAN TECHNOLOGY CO., LTD**, Shenzhen (CN)

(\*\*) Term: **15 Years**

(21) Appl. No.: **29/624,431**

(22) Filed: **Nov. 1, 2017**

(30) **Foreign Application Priority Data**

Aug. 28, 2017 (CN) ..... 2017 3 0400840

(51) **LOC (12) Cl.** ..... **14-03**

(52) **U.S. Cl.**  
USPC ..... **D14/253**

(58) **Field of Classification Search**  
USPC ..... D14/251–253, 358, 432, 434, 440, 447;  
D3/218; D16/242, 243; D12/415;  
D13/107, 108

CPC ..... A45C 11/00; A45F 5/00; F16M 11/06  
See application file for complete search history.

(56) **References Cited**

U.S. PATENT DOCUMENTS

D715,791 S *	10/2014	Yu	.....	D14/253
D720,344 S *	12/2014	Yu	.....	D14/253
D730,887 S *	6/2015	Lindemann	.....	D14/253
D747,399 S *	1/2016	Stump	.....	D16/243
D765,649 S *	9/2016	Huang	.....	D14/253
D765,650 S *	9/2016	Huang	.....	D14/253
D766,230 S *	9/2016	Shepard	.....	D14/253
D767,011 S *	9/2016	Huang	.....	D16/243

D778,899 S *	2/2017	Khalili	.....	D14/250
D779,579 S *	2/2017	Anari, III	.....	D16/242
D780,247 S *	2/2017	Anari, III	.....	D16/242
D780,248 S *	2/2017	Anari, III	.....	D16/242
D780,825 S *	3/2017	Kim	.....	D10/103
D782,461 S *	3/2017	Pinto	.....	D14/253
9,590,685 B1 *	3/2017	Ben Yehuda	.....	H04B 1/3877
D787,499 S *	5/2017	Lee	.....	D14/253
D799,465 S *	10/2017	Sukphist	.....	D14/253
D803,932 S *	11/2017	Martin	.....	D16/243
D806,780 S *	1/2018	Martin	.....	D16/243
D822,754 S *	7/2018	Fang	.....	D16/243
D825,547 S *	8/2018	Lin	.....	D14/253
D837,868 S *	1/2019	Shan	.....	D16/243
D841,724 S *	2/2019	Huang	.....	D16/243
D843,433 S *	3/2019	Balmer	.....	D16/242
D851,163 S *	6/2019	Huang	.....	D16/243

(Continued)

*Primary Examiner* — Janice Hallmark

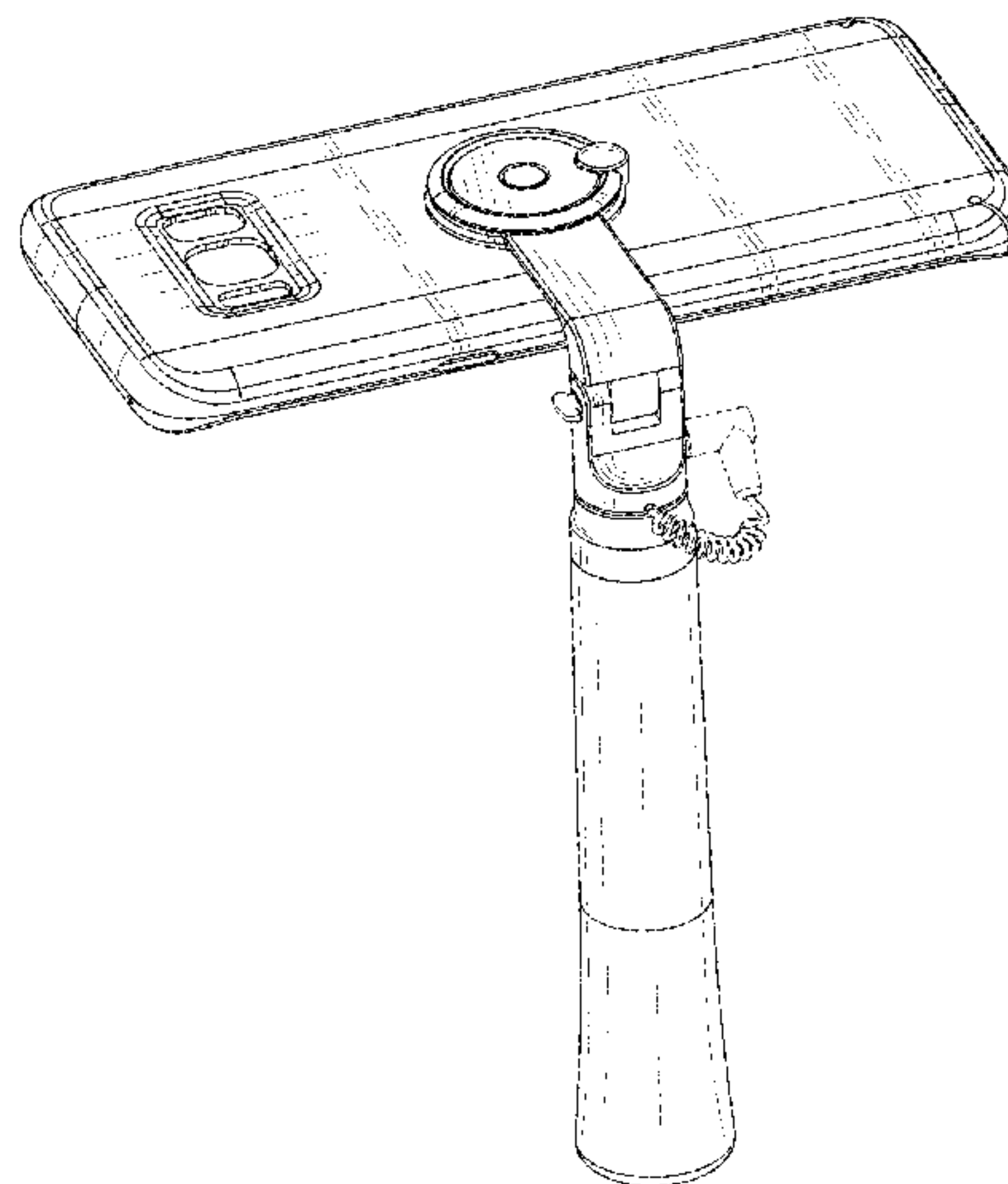
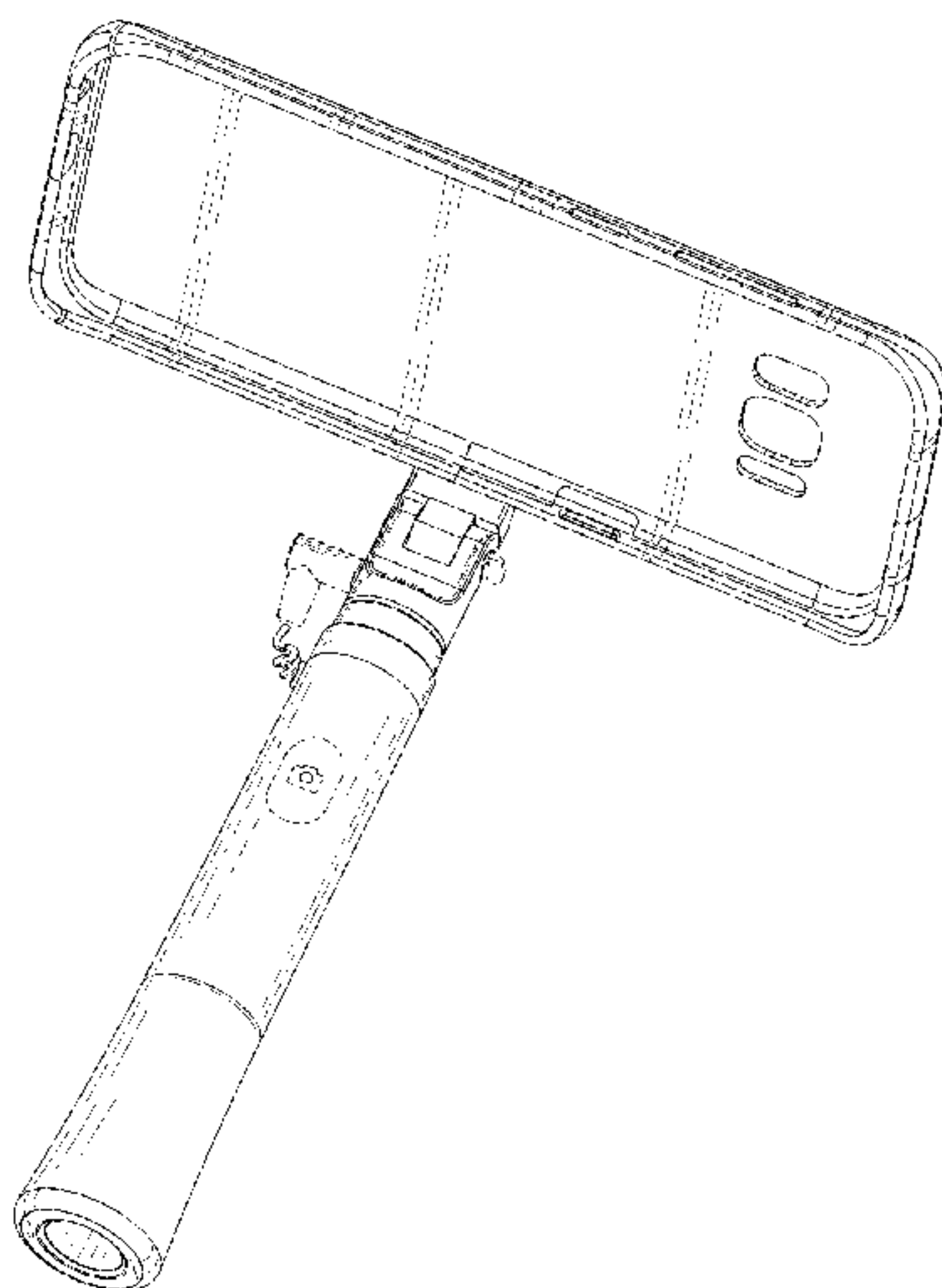
(57) **CLAIM**

The ornamental design for a selfie device, as shown and described.

**DESCRIPTION**

FIG. 1 is a front elevational view of a selfie device showing our new design;  
 FIG. 2 is a rear elevational view thereof;  
 FIG. 3 is a left side view thereof;  
 FIG. 4 is a right side view thereof;  
 FIG. 5 is a top plan view thereof;  
 FIG. 6 is a bottom plan view thereof;  
 FIG. 7 is a first perspective view thereof;  
 FIG. 8 is a second perspective view thereof;  
 FIG. 9 is a third perspective view showing the selfie device in a use state; and,  
 FIG. 10 is a fourth perspective view showing the selfie device in a use state.  
 The broken lines in the drawings illustrate portions of the selfie device which form no part of the claimed design.

**1 Claim, 10 Drawing Sheets**



(56)

**References Cited**

U.S. PATENT DOCUMENTS

2016/0252799 A1\* 9/2016 Li ..... F16M 11/28  
2018/0066792 A1\* 3/2018 Chen ..... F16M 11/04  
2019/0072233 A1\* 3/2019 Wang ..... F16M 13/04

\* cited by examiner

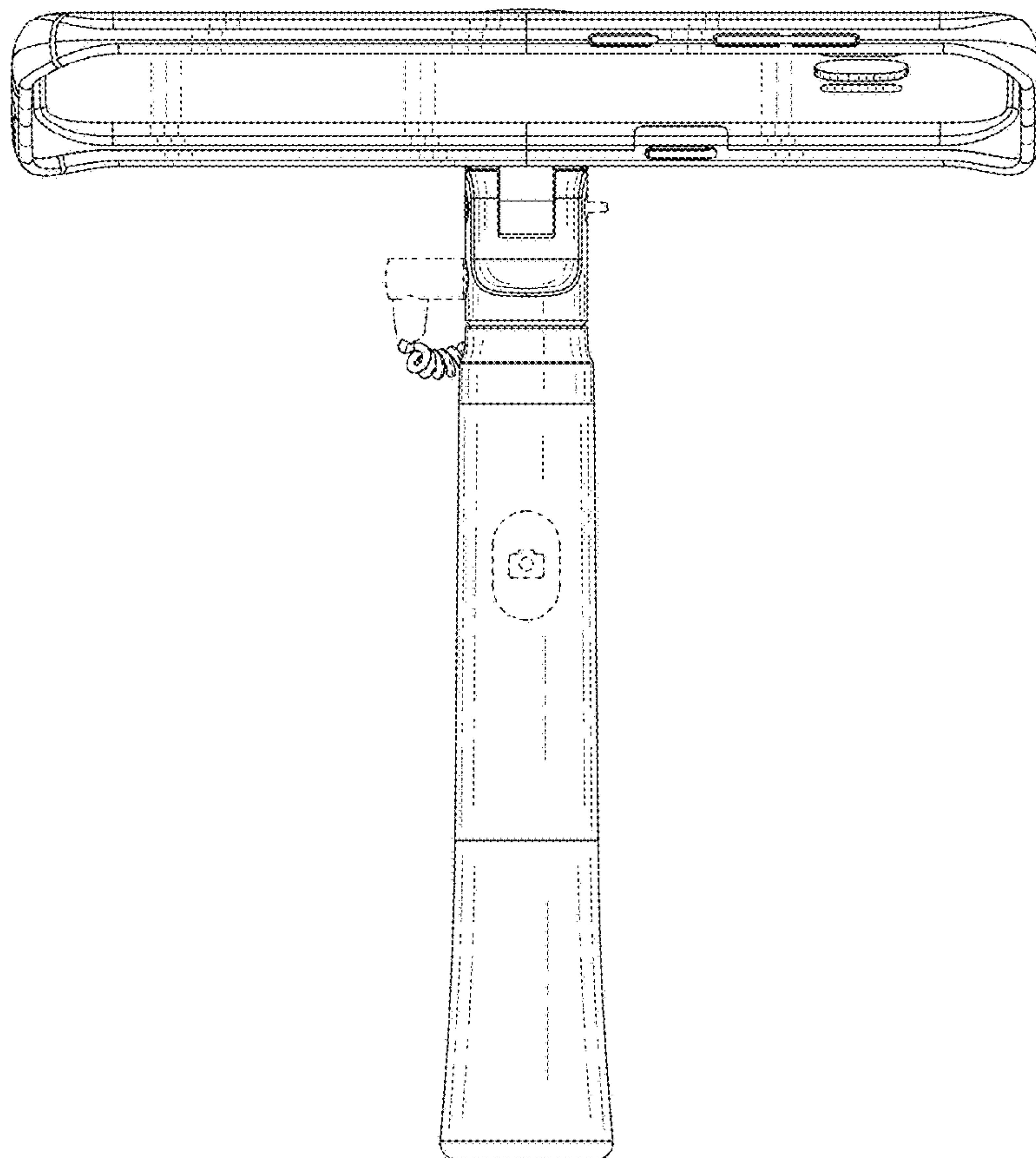


Fig. 1

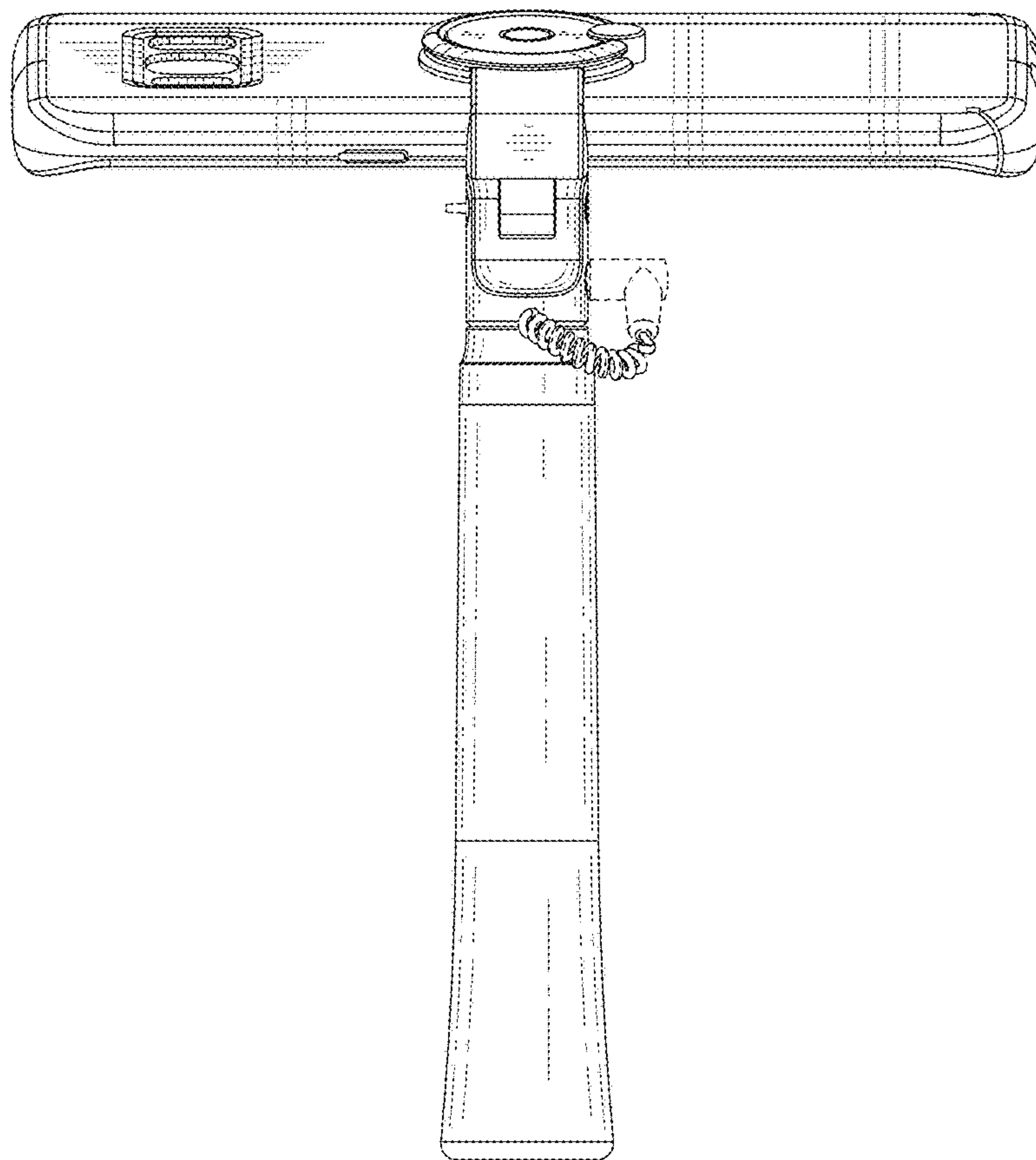


Fig. 2

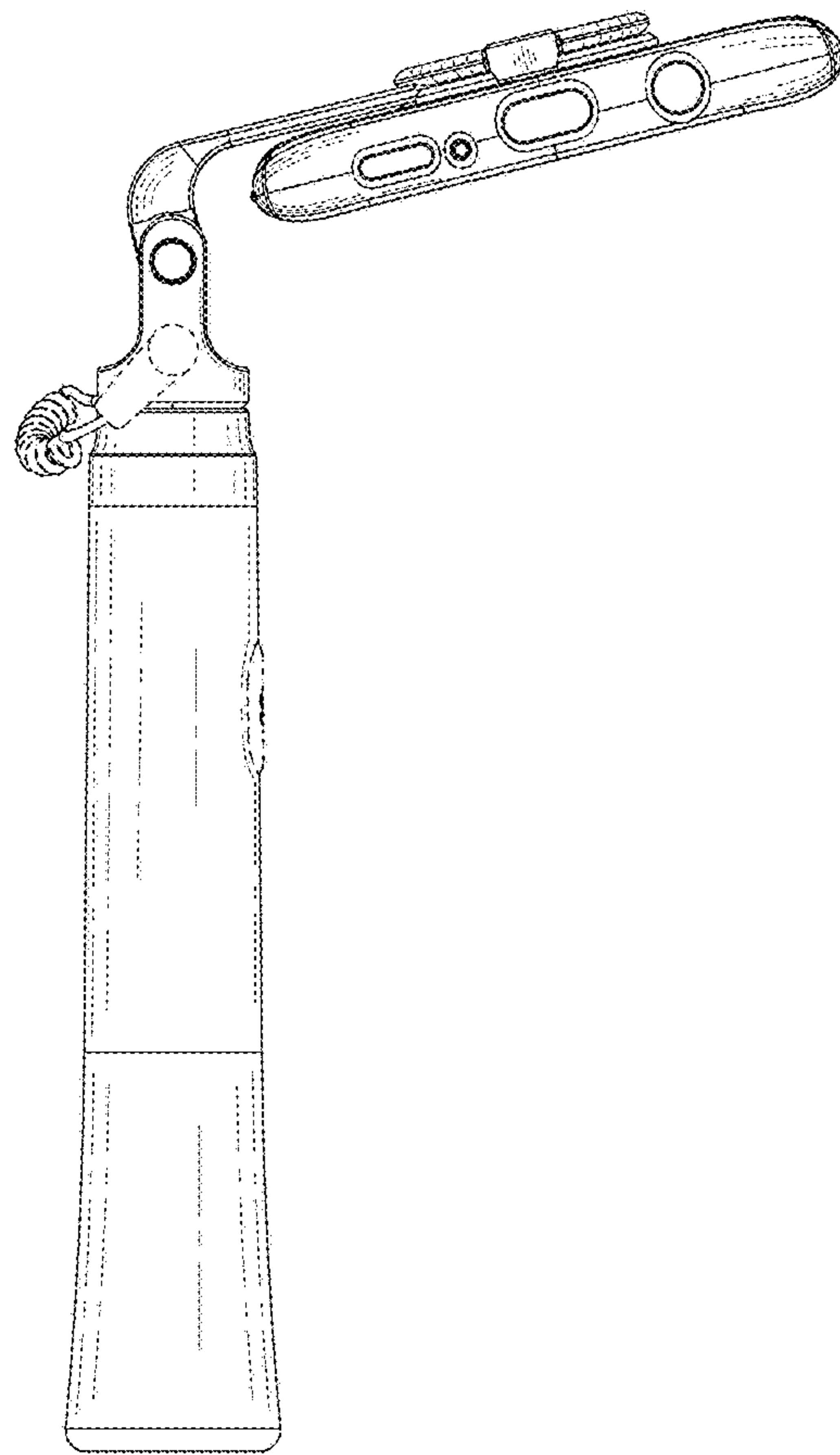


Fig. 3

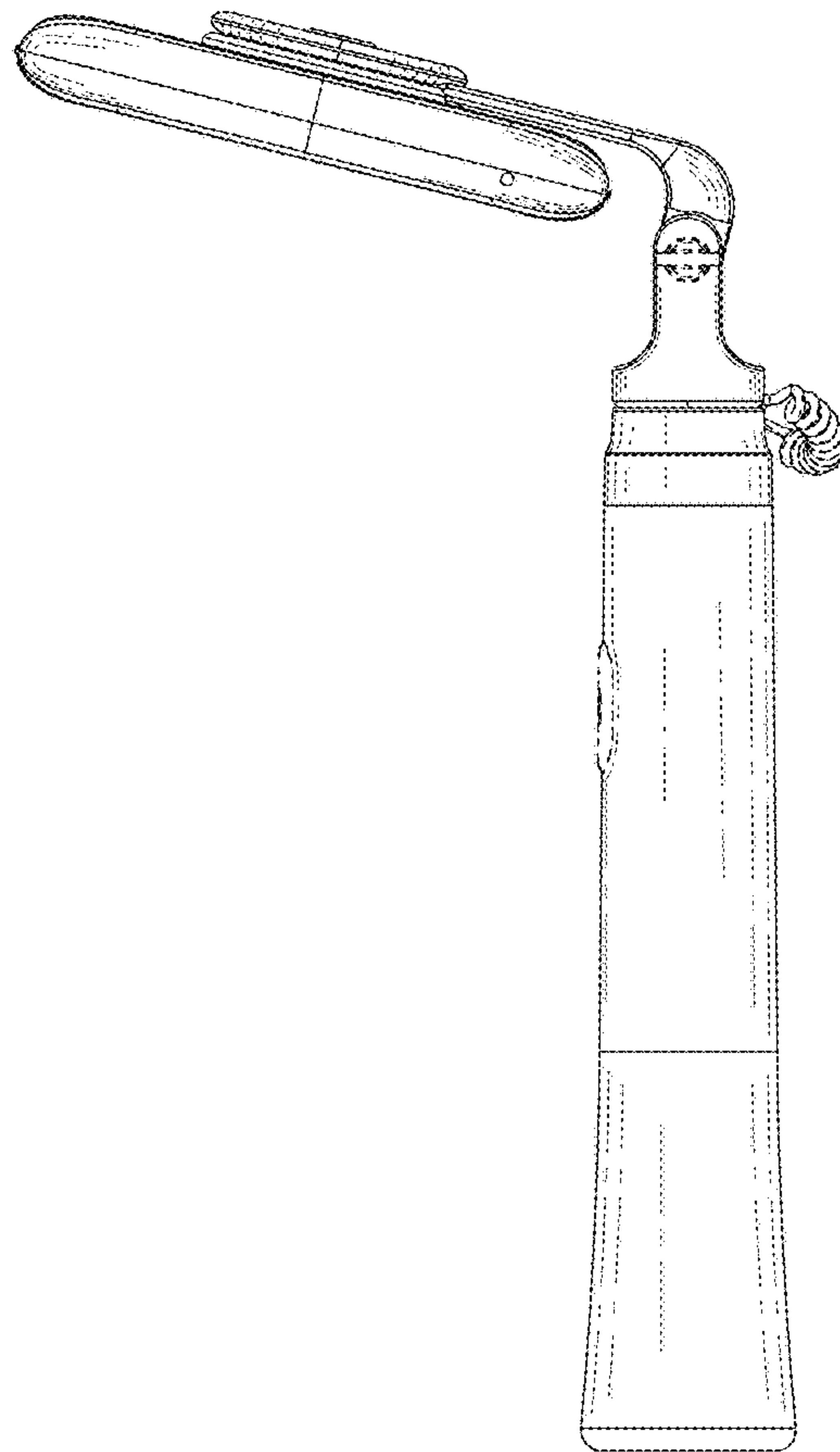


Fig. 4

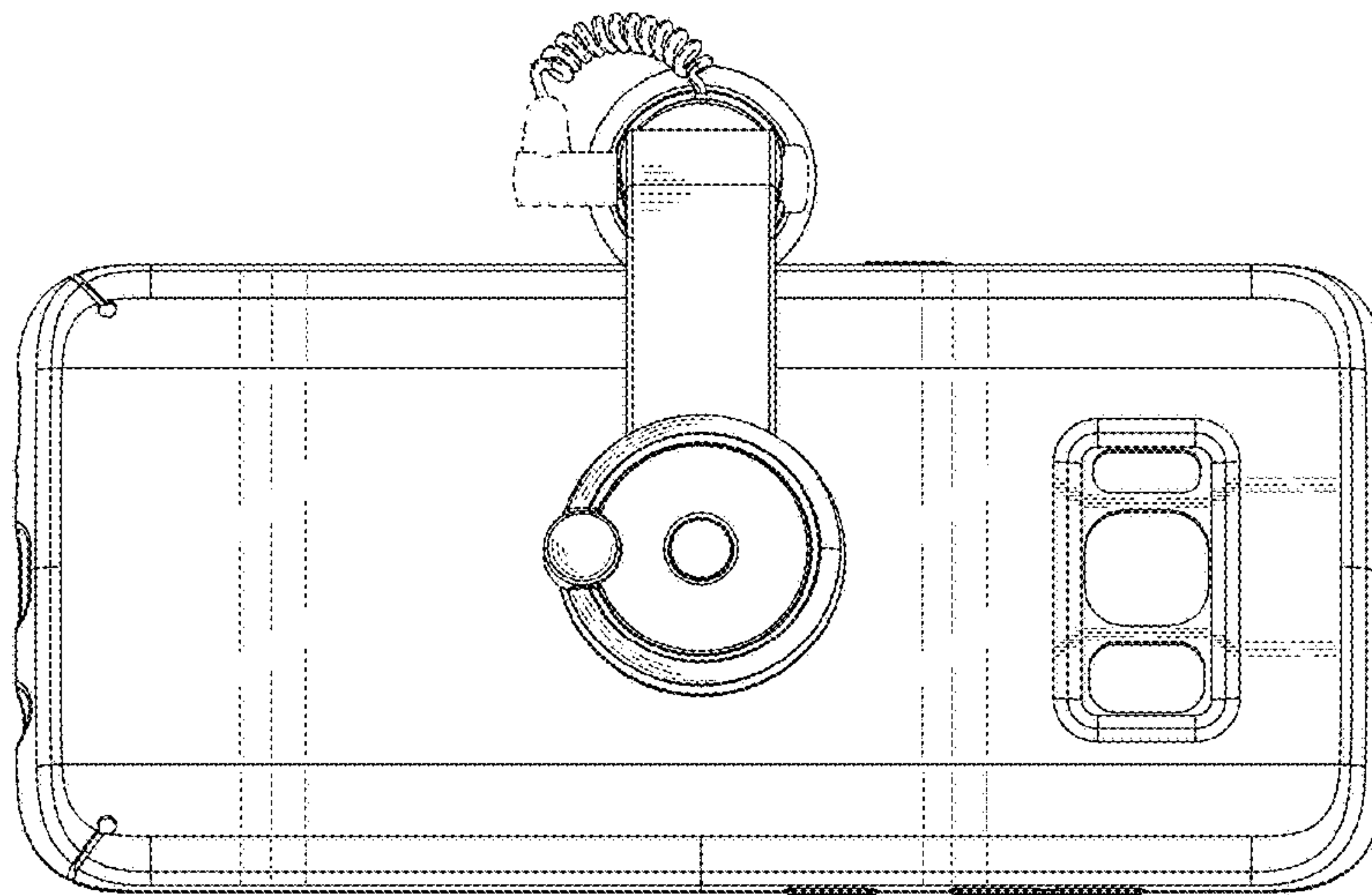


Fig. 5



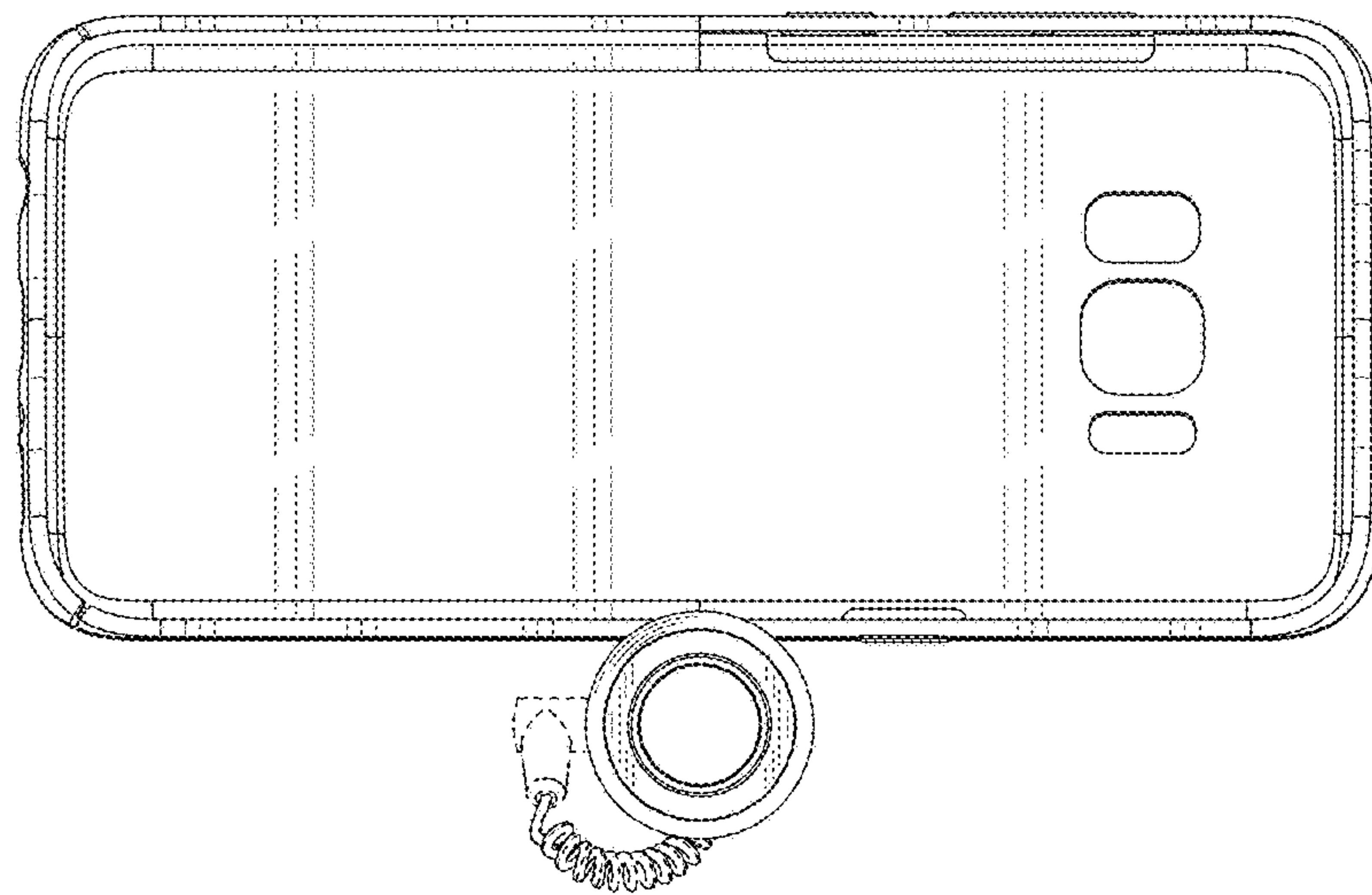


Fig. 6



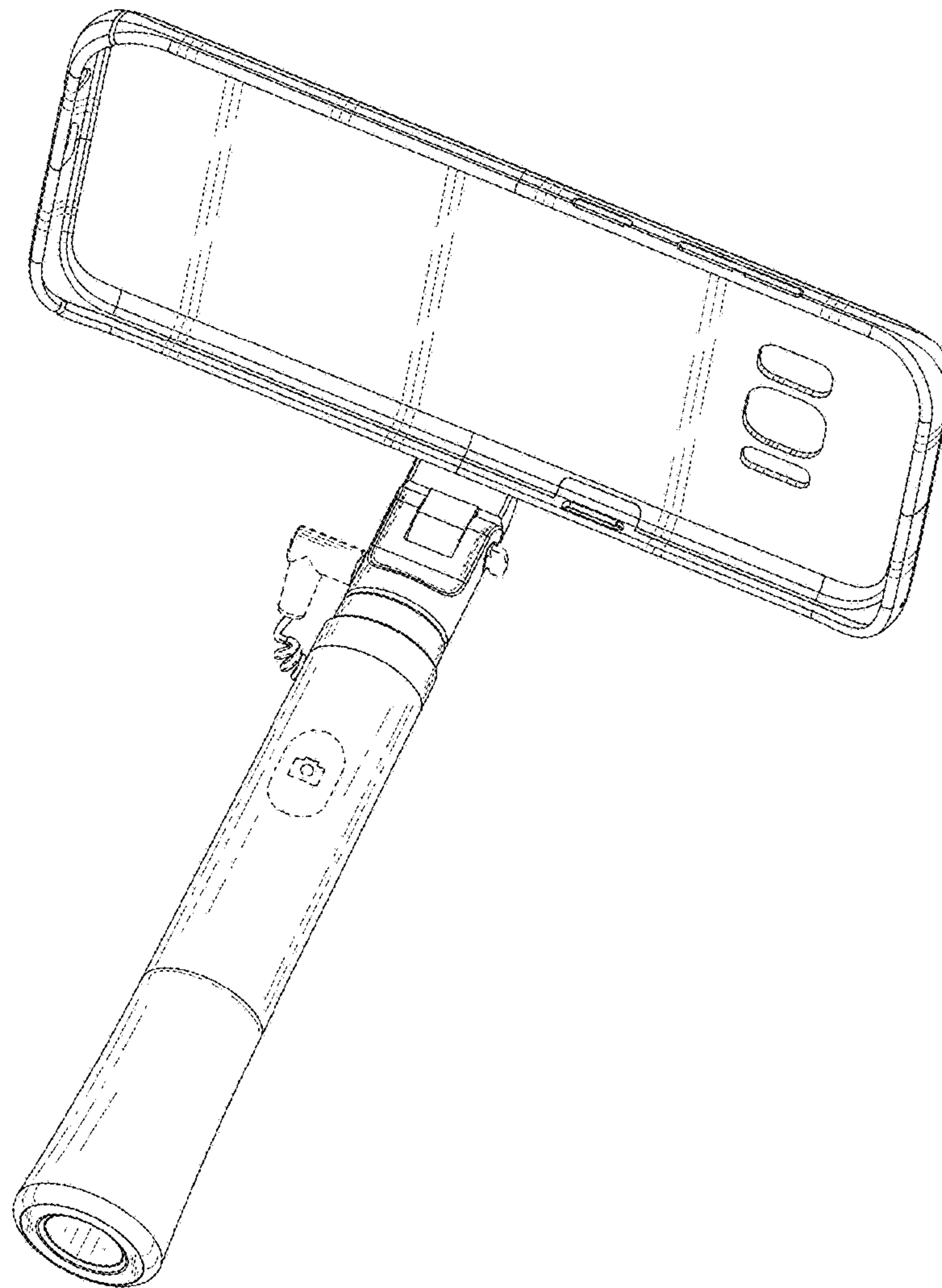


Fig. 7

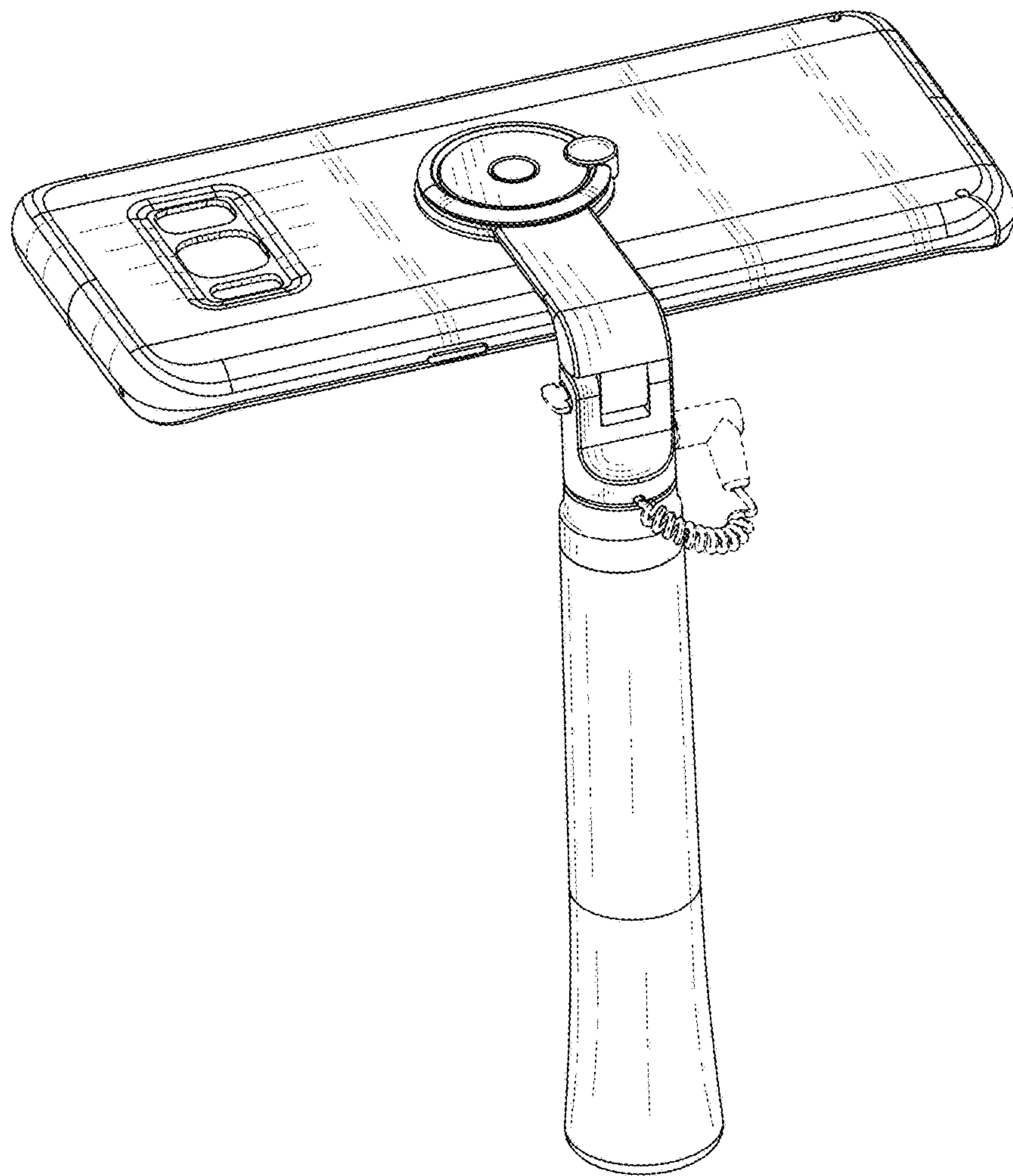


Fig. 8

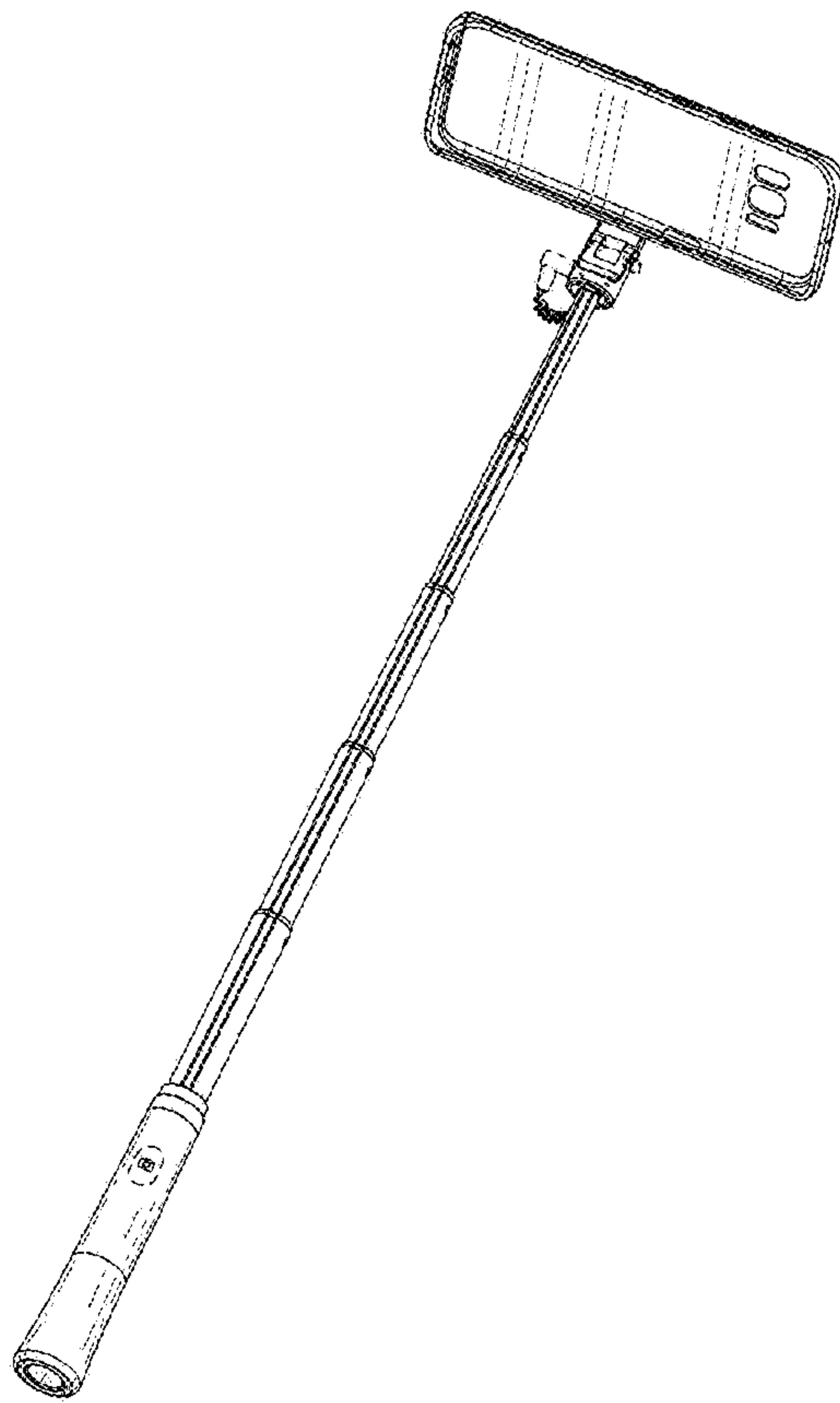


Fig. 9

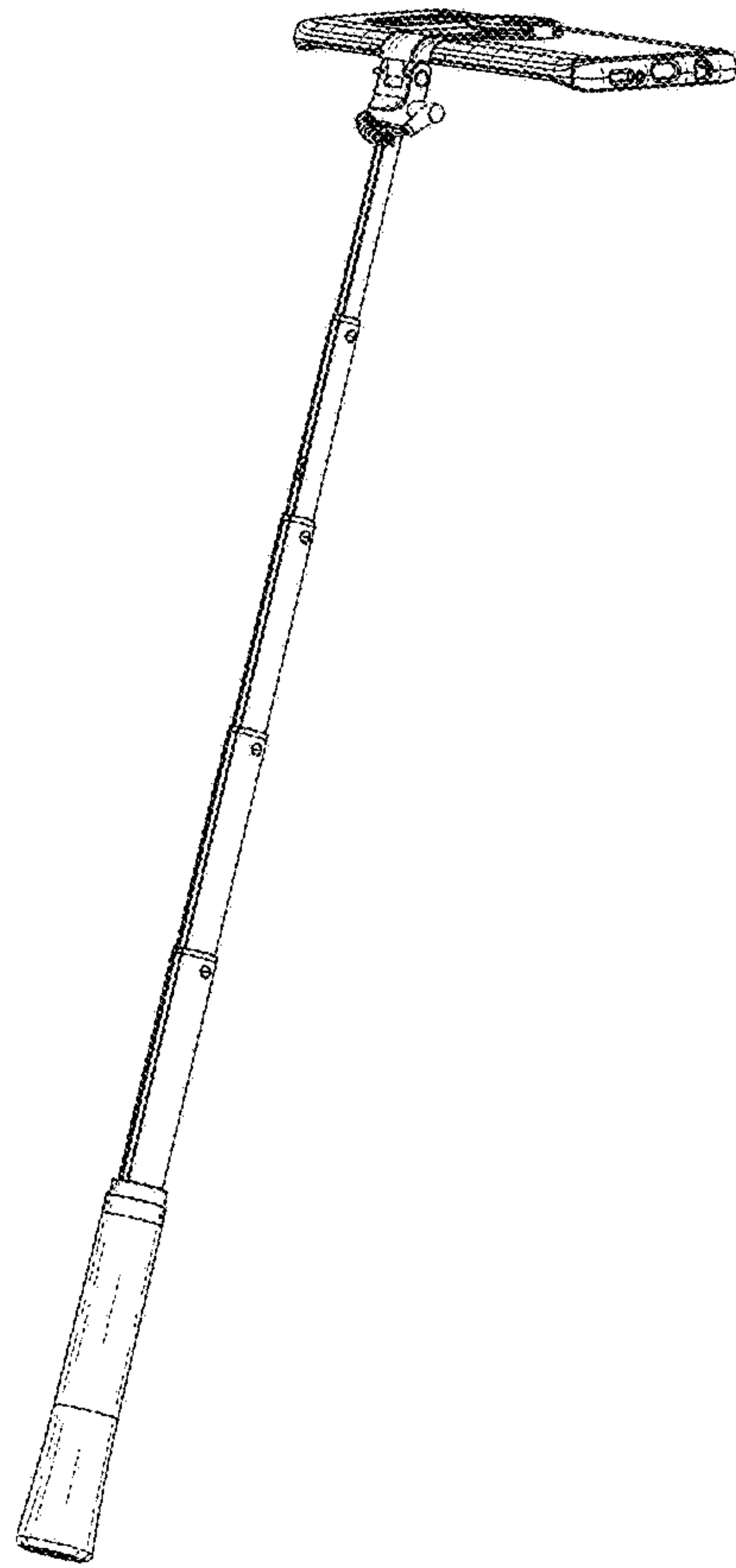


Fig. 10