



US00D863287S

(12) **United States Design Patent** (10) **Patent No.:** **US D863,287 S**
Srour (45) **Date of Patent:** **** Oct. 15, 2019**

(54) **PHONE ACCESSORY**
(71) Applicant: **Ikey Srour**, Brooklyn, NY (US)
(72) Inventor: **Ikey Srour**, Brooklyn, NY (US)
(73) Assignee: **QUEST USA CORP.**, Brooklyn, NY (US)
(**) Term: **15 Years**
(21) Appl. No.: **29/654,167**
(22) Filed: **Jun. 21, 2018**
(51) **LOC (12) Cl.** **14-03**
(52) **U.S. Cl.**
USPC **D14/251**; D3/247; D3/218
(58) **Field of Classification Search**
USPC D14/251–253, 358, 432, 434, 440, 447;
D3/218, 247, 249; D16/242, 243;
D12/415; D13/107, 108
CPC A45C 11/00; A45F 5/00; F16M 11/06
See application file for complete search history.

D675,197 S 1/2013 Losiewicz
D689,479 S * 9/2013 Soffer D14/253
D690,931 S * 10/2013 Minn D3/247
(Continued)

OTHER PUBLICATIONS

RFID Blocking Credit Card Holder Wallet Money Clip Case. fasttech.com. [online] 4 pgs. Date listed Oct. 2017 [Retrieved on Mar. 6, 2018] <https://www.fasttech.com/products/9343200>.

Primary Examiner — Janice Hallmark
(74) *Attorney, Agent, or Firm* — Michael J. Feigin, Esq.; Feigin and Fridman LLC

(57) **CLAIM**

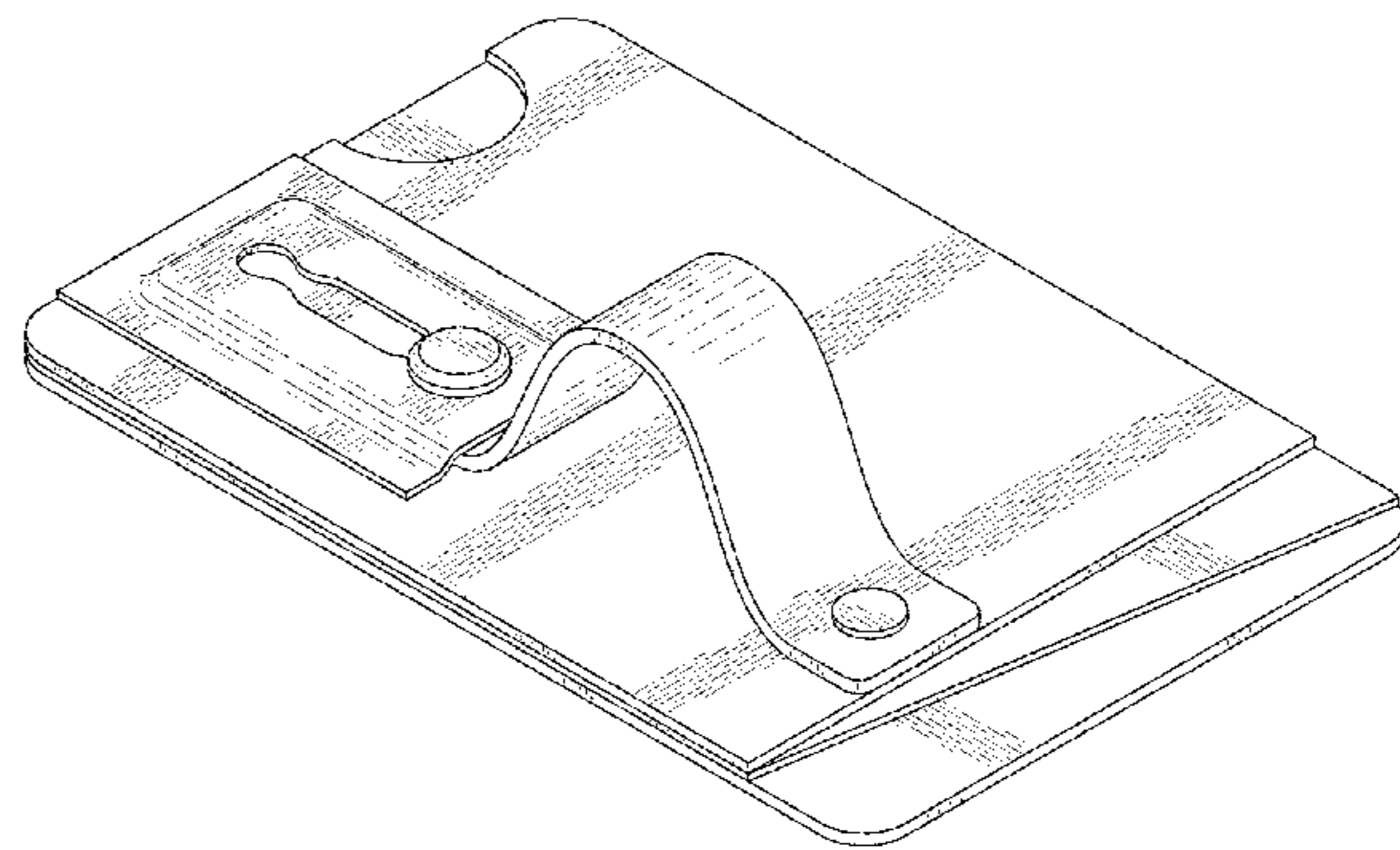
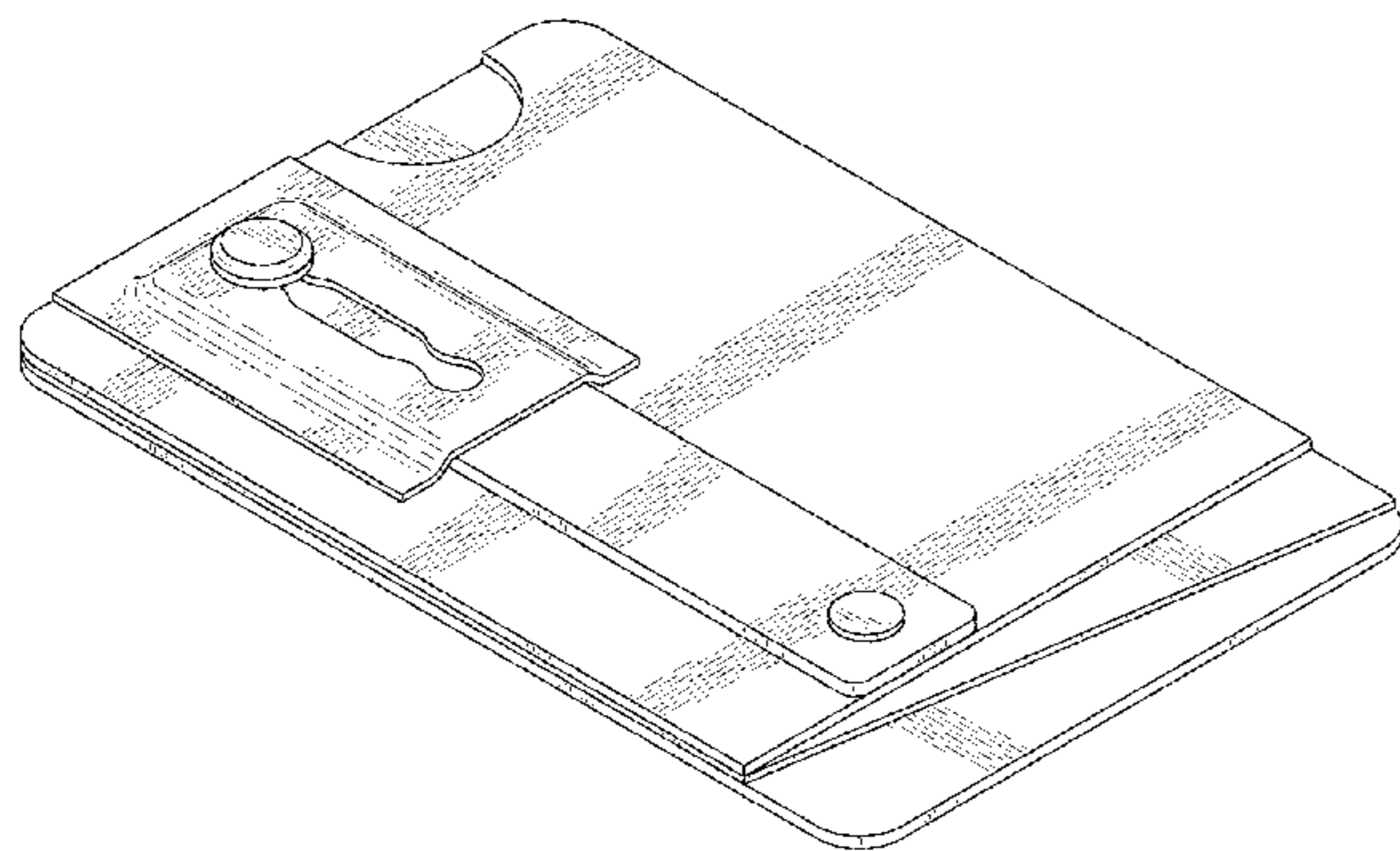
The ornamental design for a phone accessory, as shown and described.

DESCRIPTION

FIG. 1 is a top and side perspective view of a phone accessory;
FIG. 2 is a front view thereof;
FIG. 3 is a rear view thereof;
FIG. 4 is a rear view thereof;
FIG. 5 is a rear view thereof;
FIG. 6 is a third side view thereof; and
FIG. 7 is a fourth side view thereof;
FIG. 8 is a top and side perspective view thereof, showing the strap in a retracted position for use;
FIG. 9 is a front view thereof;
FIG. 10 is a rear view thereof.
FIG. 11 is a first side view thereof;
FIG. 12 is a second side view thereof;
FIG. 13 is a third side view thereof; and,
FIG. 14 is a fourth side view thereof.
The broken lines depicts portions of the phone accessory are for illustration purposes only and form no part of the claimed design.

1 Claim, 9 Drawing Sheets

(56) **References Cited**
U.S. PATENT DOCUMENTS
2,825,378 A 3/1958 Vaca
D314,865 S 2/1991 Tuisku
D330,632 S 11/1992 Hensley
D332,347 S 1/1993 Raadt
D404,762 S 1/1999 Vogel
5,944,080 A 8/1999 Podwika
D446,647 S 8/2001 Protheroe
D446,648 S 8/2001 Protheroe
D447,868 S 9/2001 Protheroe
D470,657 S 2/2003 Kawamura
D471,008 S 3/2003 Dubone
D481,537 S 11/2003 Vaughn
D509,955 S 9/2005 Williams
D527,898 S 9/2006 Tavone
D547,062 S * 7/2007 Chang D3/247
D572,465 S 7/2008 Beck
D610,798 S 3/2010 Silvera
D622,958 S 9/2010 Moore



(56)

References Cited

U.S. PATENT DOCUMENTS

D699,757 S 2/2014 Wilkey
 D703,647 S 4/2014 Kim
 D703,949 S 5/2014 Chappell
 D705,764 S * 5/2014 Thoni D14/250
 D705,767 S 5/2014 Yoon
 D707,965 S * 7/2014 Requa D3/247
 D716,043 S 10/2014 Wilk
 D717,780 S 11/2014 Tussy
 D719,143 S * 12/2014 Vidovic D14/250
 D719,350 S 12/2014 Daoura
 D721,373 S * 1/2015 Logereau D14/432
 D722,235 S 2/2015 Meng
 D723,799 S 3/2015 Glass et al.
 D724,841 S 3/2015 Schneider et al.
 D728,230 S 5/2015 Oas
 D729,223 S * 5/2015 Haarburger D14/253
 D730,047 S 5/2015 Yi
 D738,619 S 9/2015 Gluck
 D738,872 S 9/2015 Erickson-Davis
 D743,409 S 11/2015 Chen
 D745,014 S 12/2015 Vales
 D745,274 S 12/2015 Minn
 D747,093 S 1/2016 Rogers
 D749,069 S 2/2016 Senoff
 D751,289 S 3/2016 Gluck
 D755,153 S * 5/2016 Steiner D14/138 R
 D756,366 S 5/2016 Floersch

D759,023 S * 6/2016 Liu D14/253
 D759,966 S 6/2016 Pignotti
 D768,382 S 10/2016 Wu
 D768,383 S 10/2016 Wu
 D772,212 S 11/2016 Daniel
 D772,882 S 11/2016 Paschke
 D775,824 S 1/2017 King
 D776,426 S 1/2017 Smith
 D777,162 S 1/2017 Erickson-Davis
 D780,449 S * 3/2017 King D3/247
 D789,076 S * 6/2017 Pierre D3/218
 D794,007 S * 8/2017 Zhang D14/250
 D798,591 S * 10/2017 King D3/247
 D806,386 S 1/2018 King
 D808,158 S 1/2018 King
 D815,086 S * 4/2018 Jeon D14/251
 D817,316 S * 5/2018 Srour D14/251
 D835,091 S * 12/2018 Torrance D14/253
 2011/0192857 A1 8/2011 Rothbaum
 2012/0168483 A1 7/2012 Jambunathan
 2013/0001382 A1 1/2013 Jang
 2013/0148271 A1 6/2013 Huang
 2013/0277991 A1 10/2013 Wu
 2015/0201743 A1 7/2015 Erickson-Davis
 2015/0288409 A1 * 10/2015 Forsythe H04B 1/3888
 455/575.6
 2015/0335138 A1 11/2015 Juarbe
 2015/0365125 A1 12/2015 Murphy
 2016/0058162 A1 3/2016 Wang
 2017/0293207 A1 10/2017 Jeon

* cited by examiner

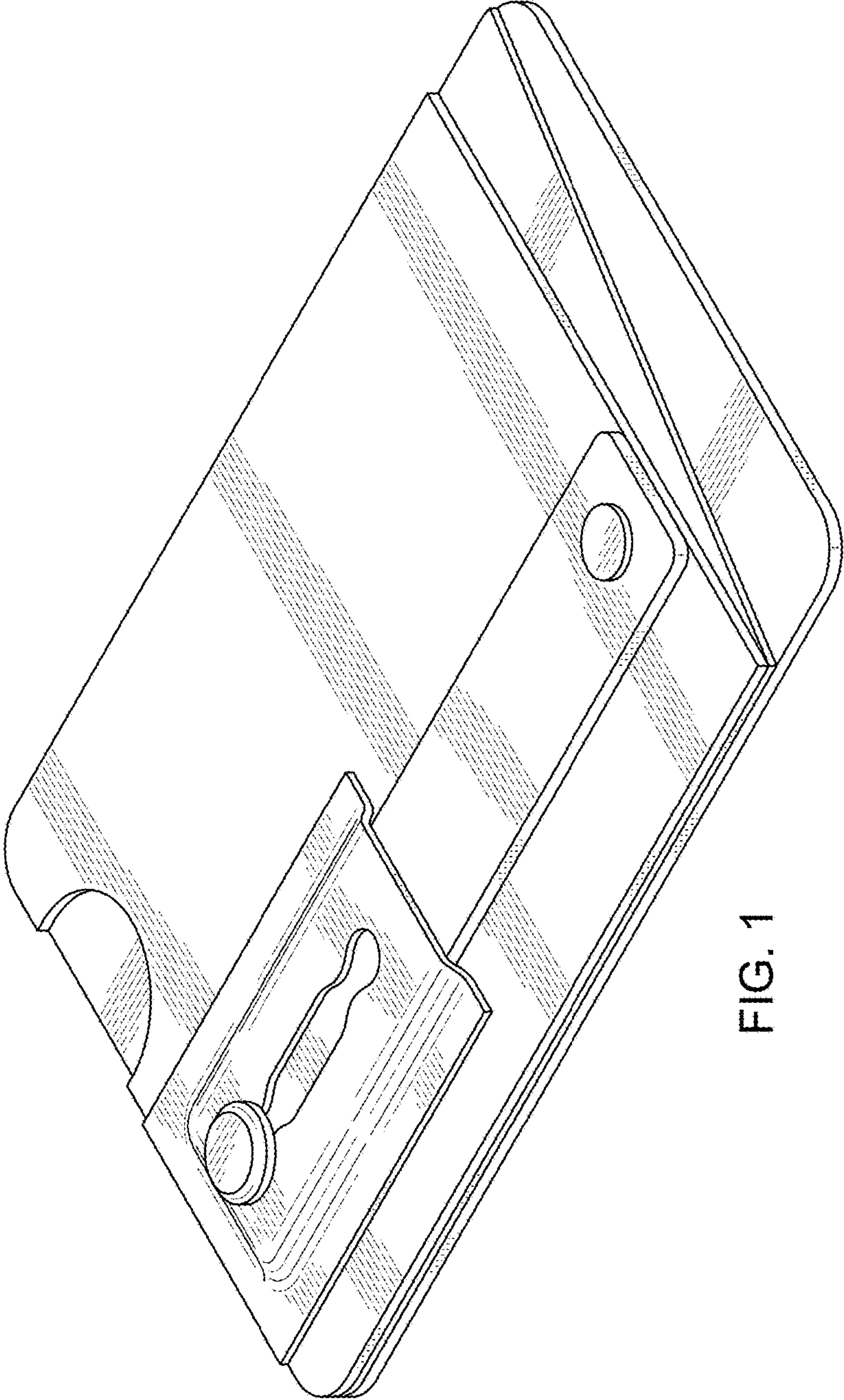


FIG. 1

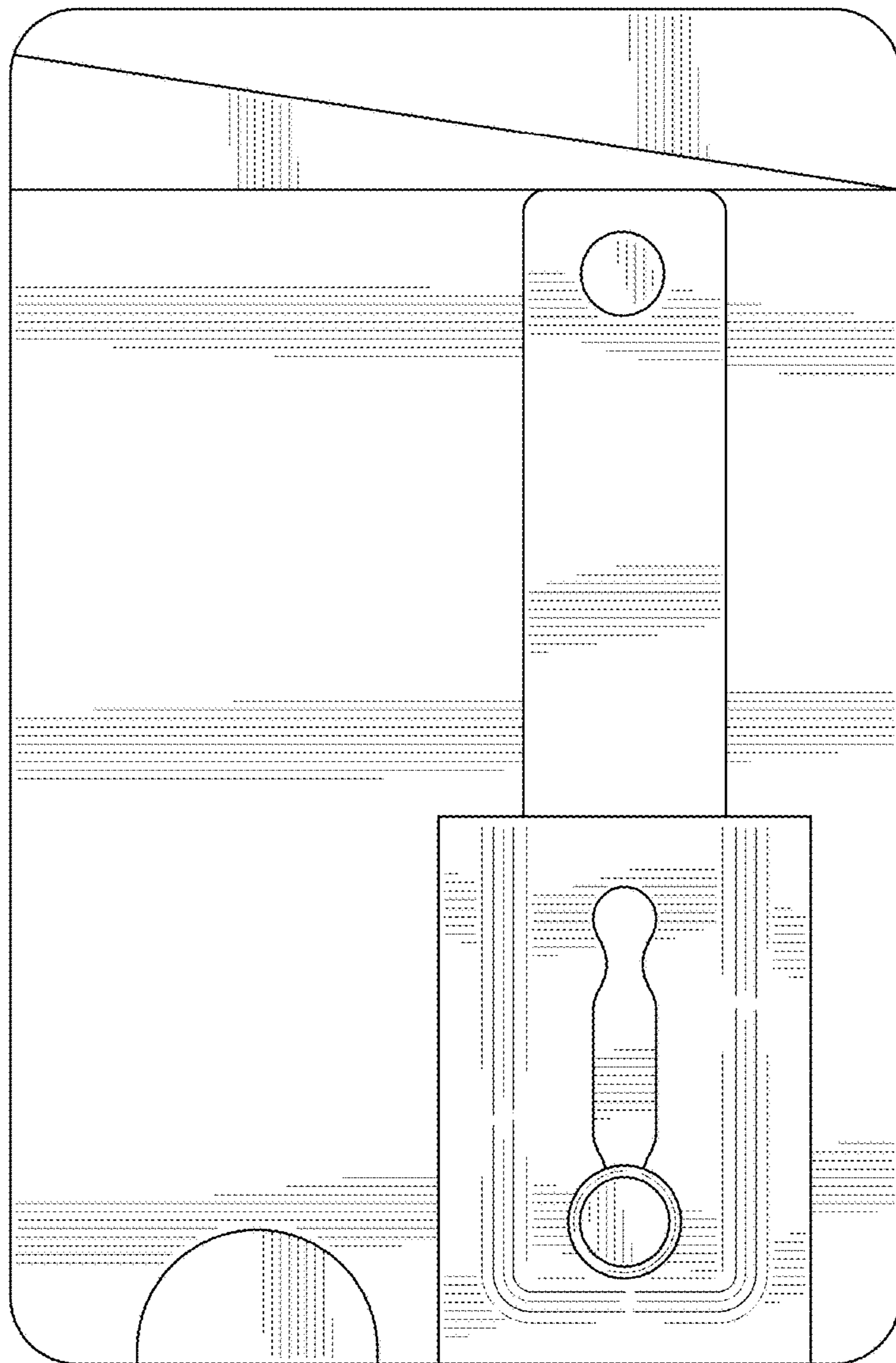


FIG. 2

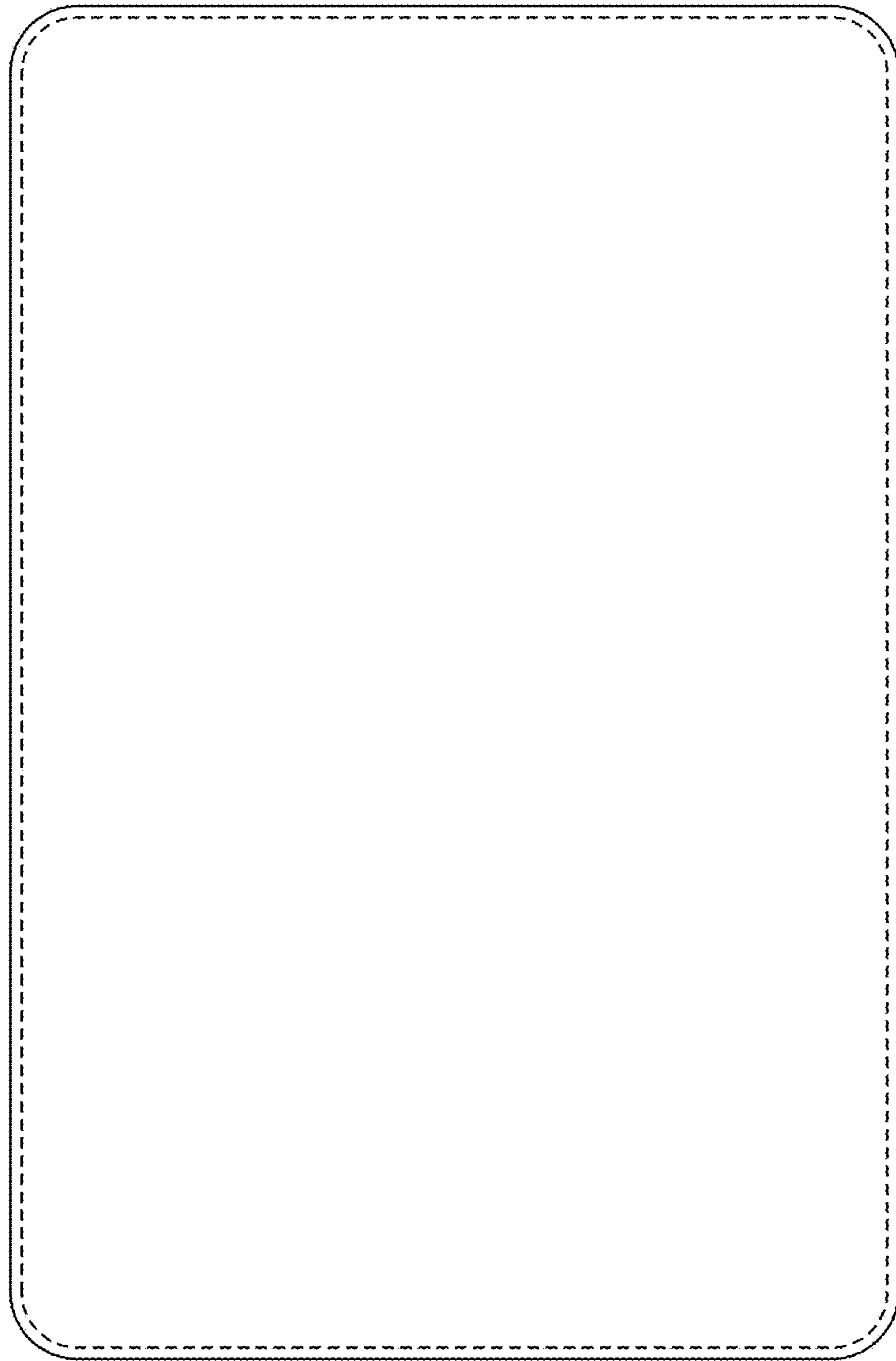


FIG. 3

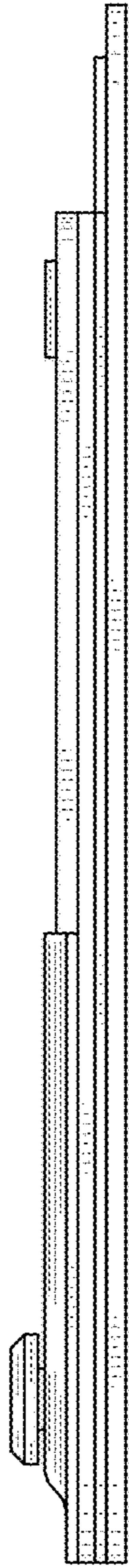


FIG. 4

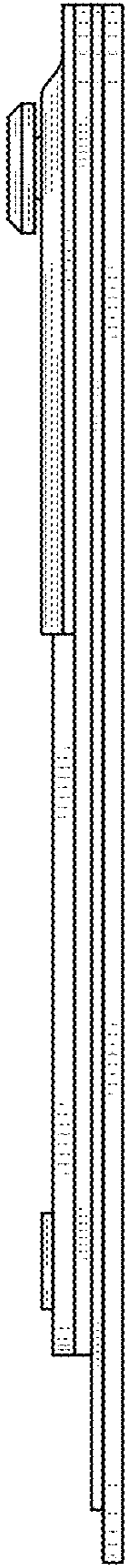


FIG. 5



FIG. 6



FIG. 7

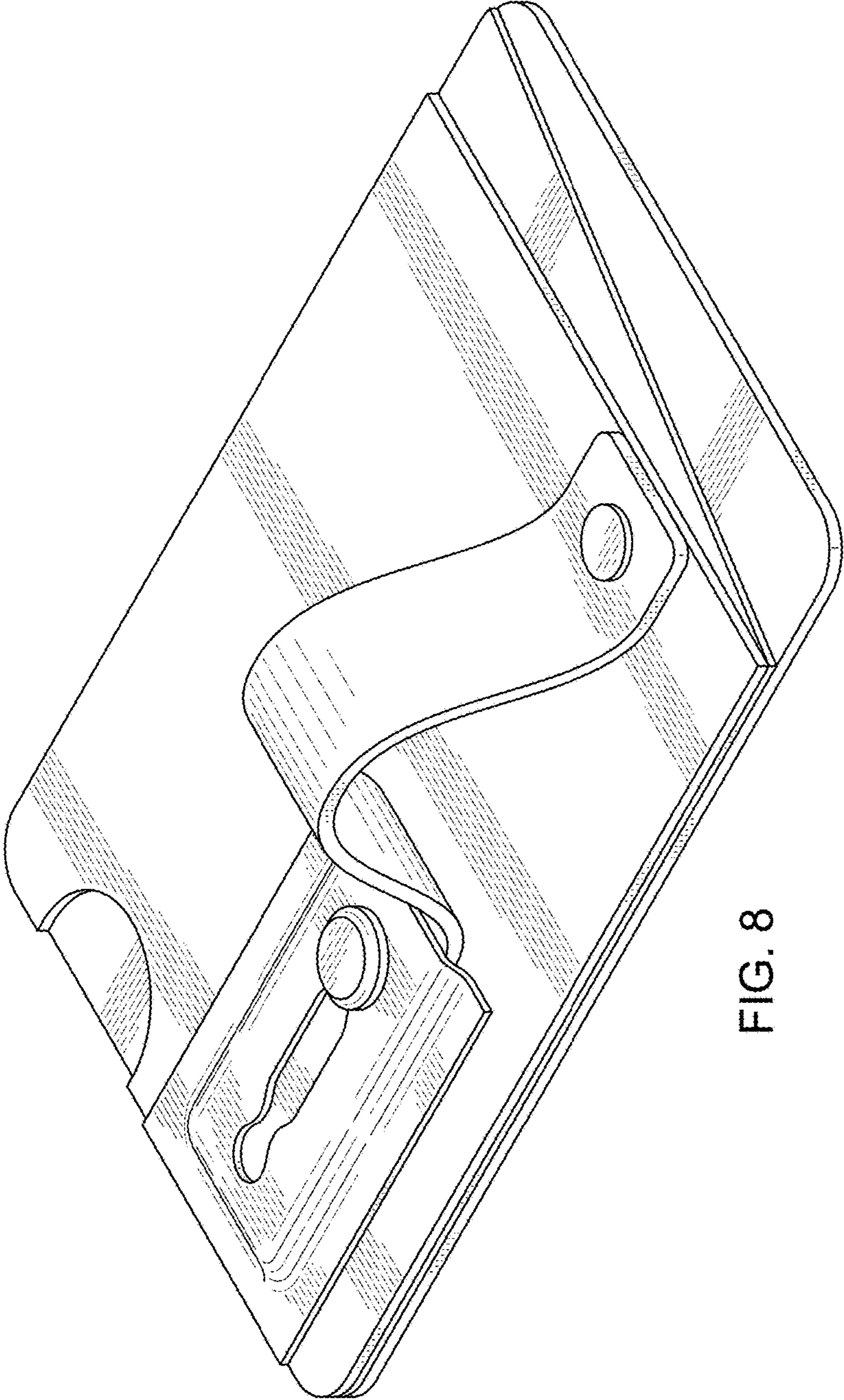


FIG. 8

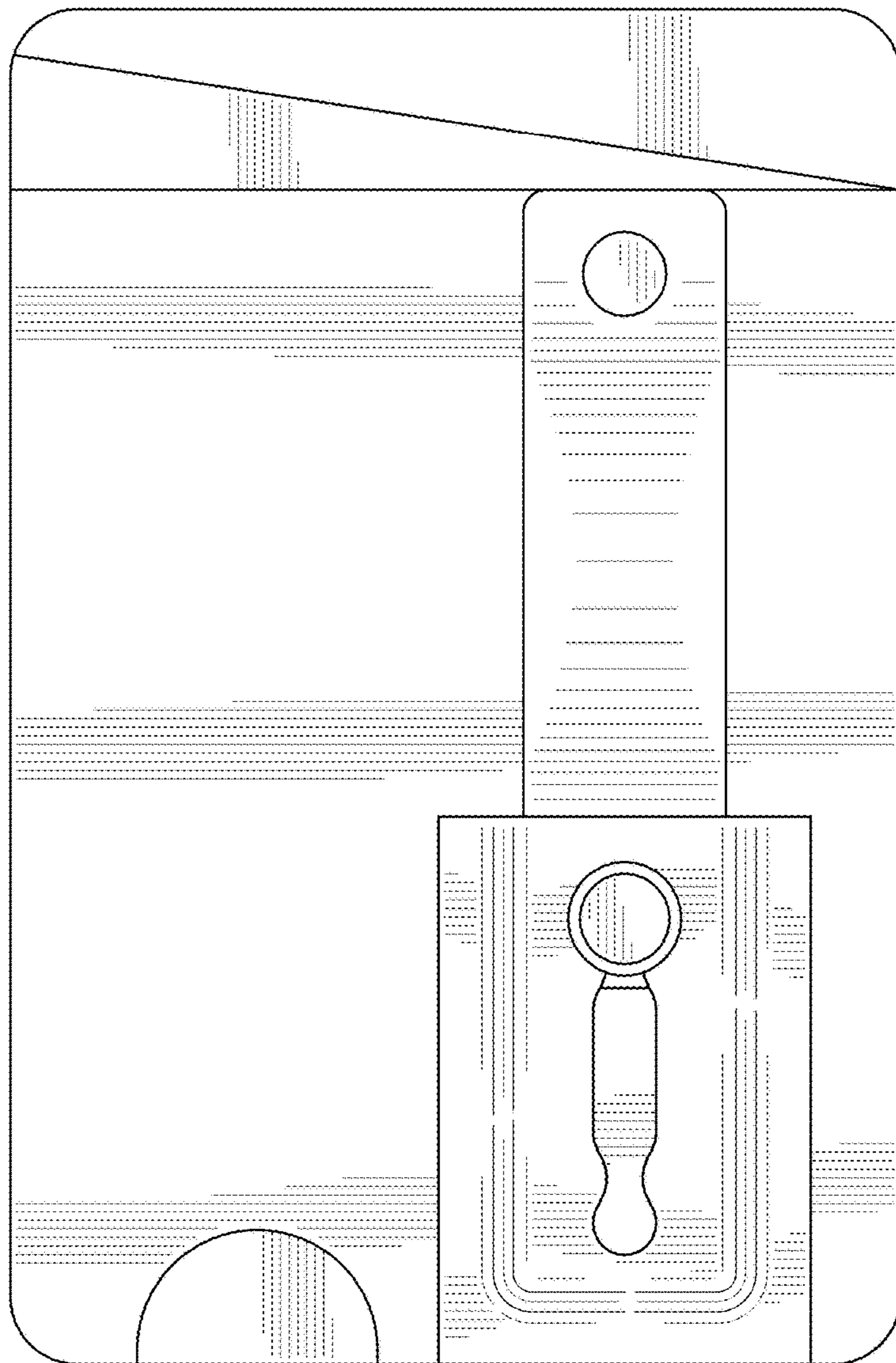


FIG. 9

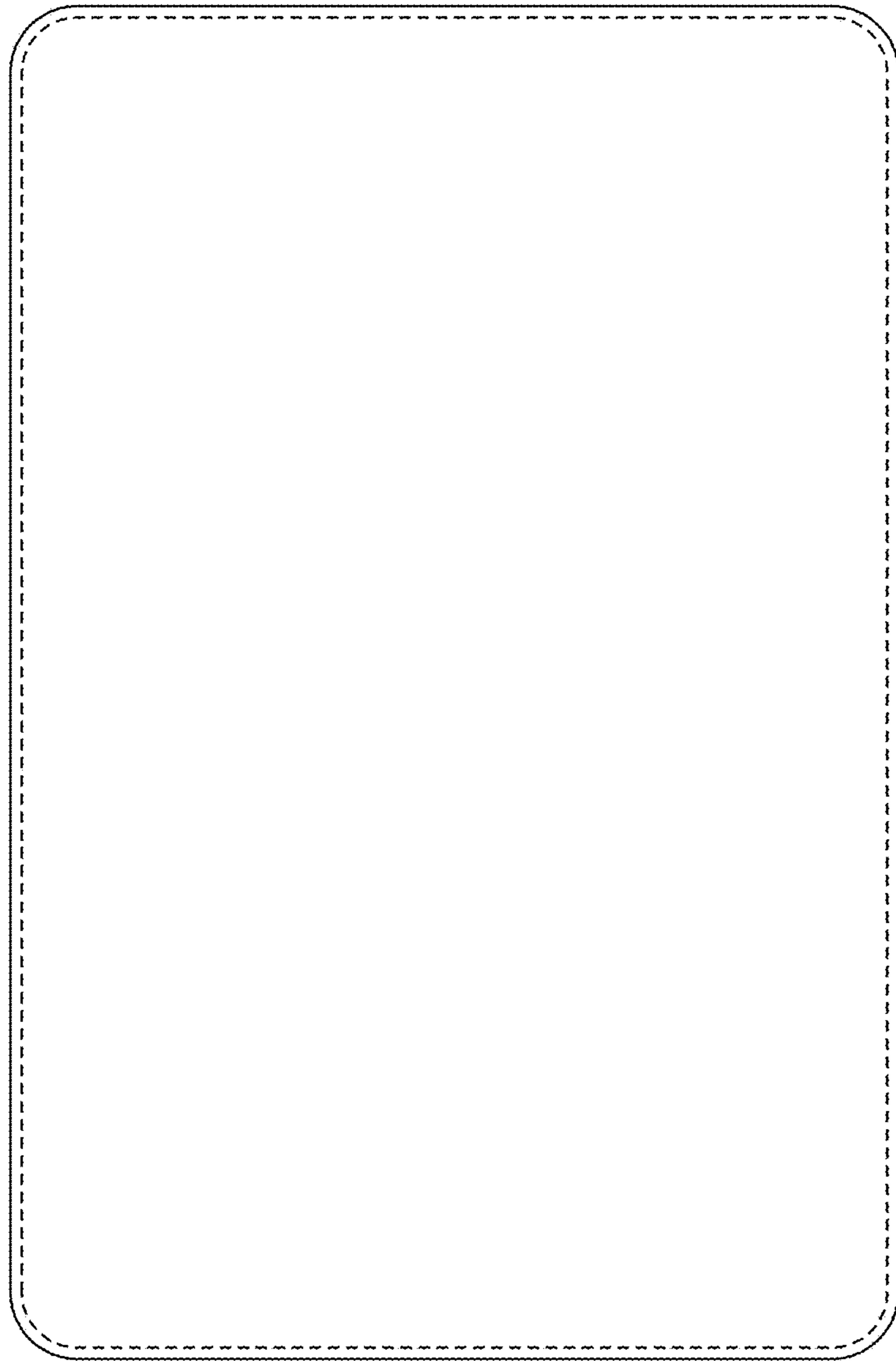


FIG. 10

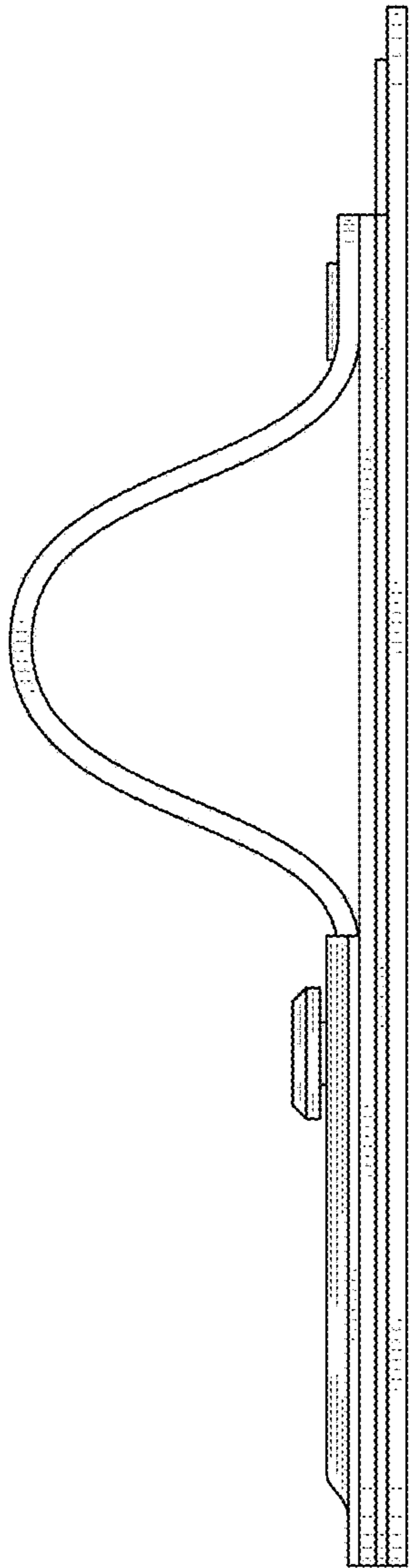


FIG. 11

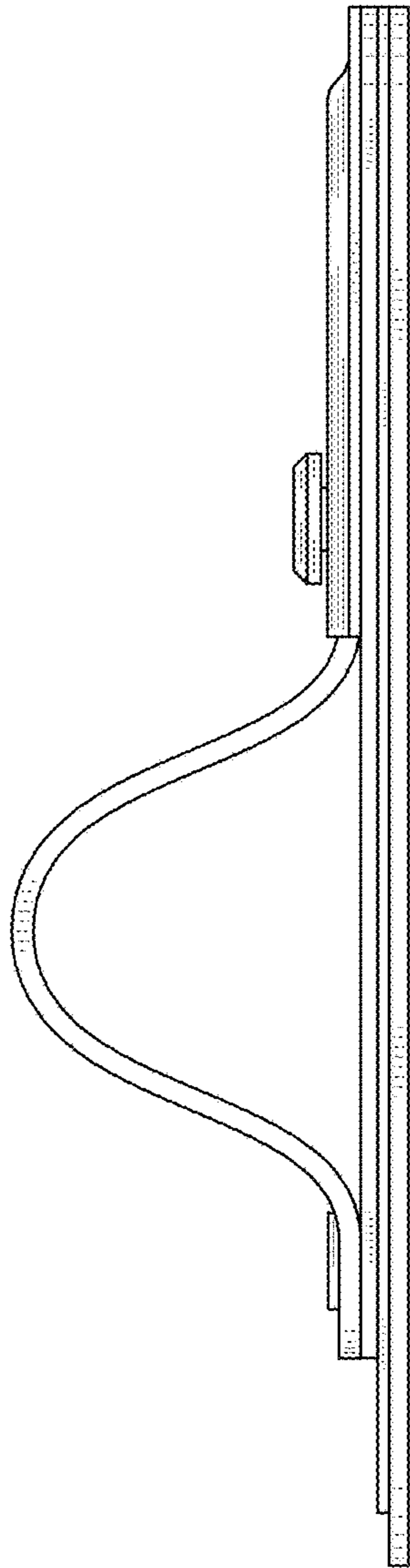


FIG. 12

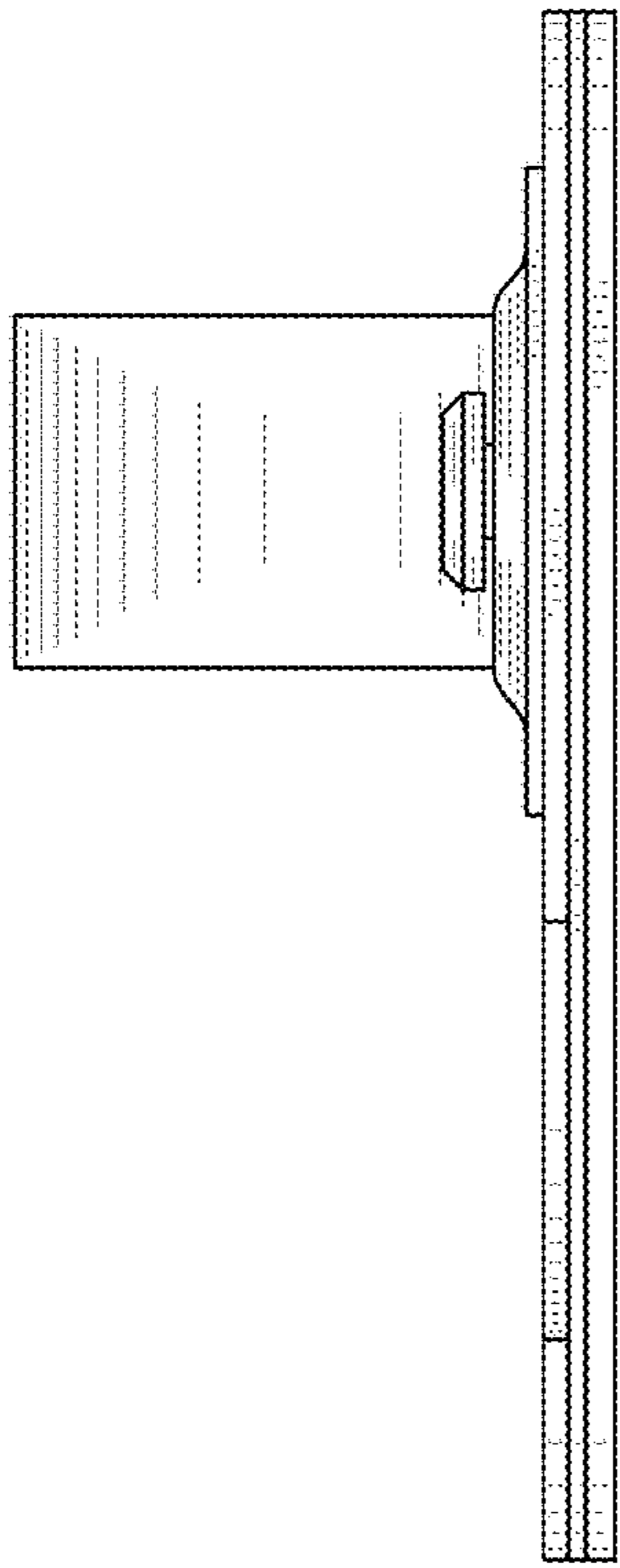


FIG. 13

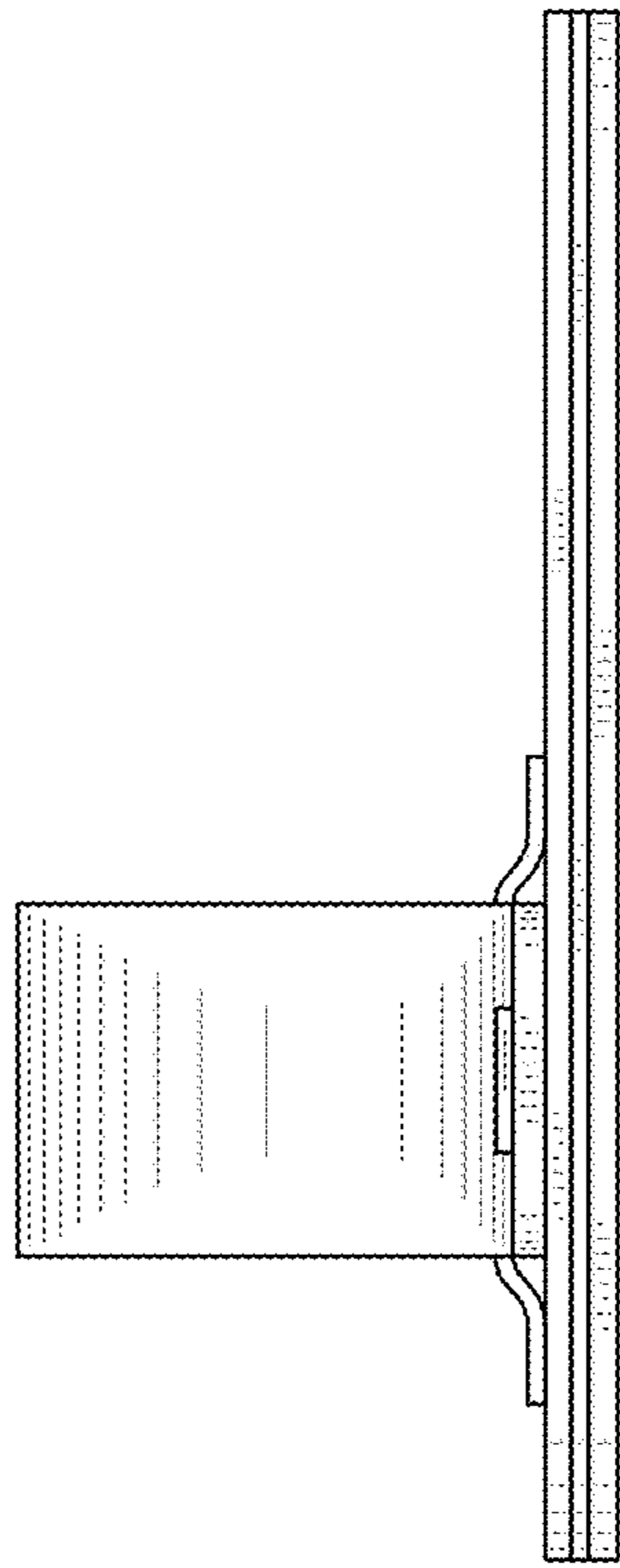


FIG. 14