



US00D863286S

(12) **United States Design Patent**  
**Hong**

(10) **Patent No.:** **US D863,286 S**

(45) **Date of Patent:** **\*\* Oct. 15, 2019**

(54) **MOBILE PHONE SHELL**

(71) Applicant: **Zhanguo Hong**, Guangdong (CN)

(72) Inventor: **Zhanguo Hong**, Guangdong (CN)

(\*\*) Term: **15 Years**

(21) Appl. No.: **29/693,922**

(22) Filed: **Jun. 6, 2019**

(51) **LOC (12) Cl.** ..... **14-03**

(52) **U.S. Cl.**  
USPC ..... **D14/250**

(58) **Field of Classification Search**  
USPC ..... D14/250, 439, 203.3–203.7, 238.1, 440,  
D14/251–253, 447, 217, 240, 248;  
D3/201, 218, 247, 269, 273, 301, 303;  
D13/103, 107–108, 119  
CPC ..... H04B 1/3888; H04M 1/0283; H04M  
1/0202; A45C 1/06; A45C 11/00; A45C  
13/02; A45C 2011/002; A45F 2005/026;  
A45F 2200/0525; A45F 2200/0516  
See application file for complete search history.

(56) **References Cited**

**U.S. PATENT DOCUMENTS**

D590,386 S *	4/2009	Leith	D14/248
D670,279 S *	11/2012	Veltz	D14/250
D675,604 S *	2/2013	Limber	D14/250
D701,211 S *	3/2014	Ng	D14/440
D709,057 S *	7/2014	Wilson	D14/250
8,936,222 B1 *	1/2015	Bastian	A45F 5/00 224/183
D725,379 S *	3/2015	Dixon	D3/218
D755,772 S *	5/2016	Sasaki	D14/250
D766,227 S *	9/2016	Wu	D14/250
D780,166 S	2/2017	Lin	
D783,590 S *	4/2017	Wu	D14/252
D786,225 S *	5/2017	Kim	D14/248
D790,526 S	6/2017	Babichenko	

D791,759 S	7/2017	Lin	
D803,222 S *	11/2017	Cheng	D14/440
D806,082 S *	12/2017	Armstrong	D14/440
D809,454 S *	2/2018	Zhou	D13/103
D812,065 S *	3/2018	Shim	D14/440
D816,654 S *	5/2018	Chen	D14/250
D821,306 S *	6/2018	Liu	D13/107
D832,269 S *	10/2018	Cheng	D14/440
D843,364 S *	3/2019	Sasaki	D14/250
D850,451 S *	6/2019	Chen	D14/440

(Continued)

*Primary Examiner* — Carla J Wright

(57) **CLAIM**

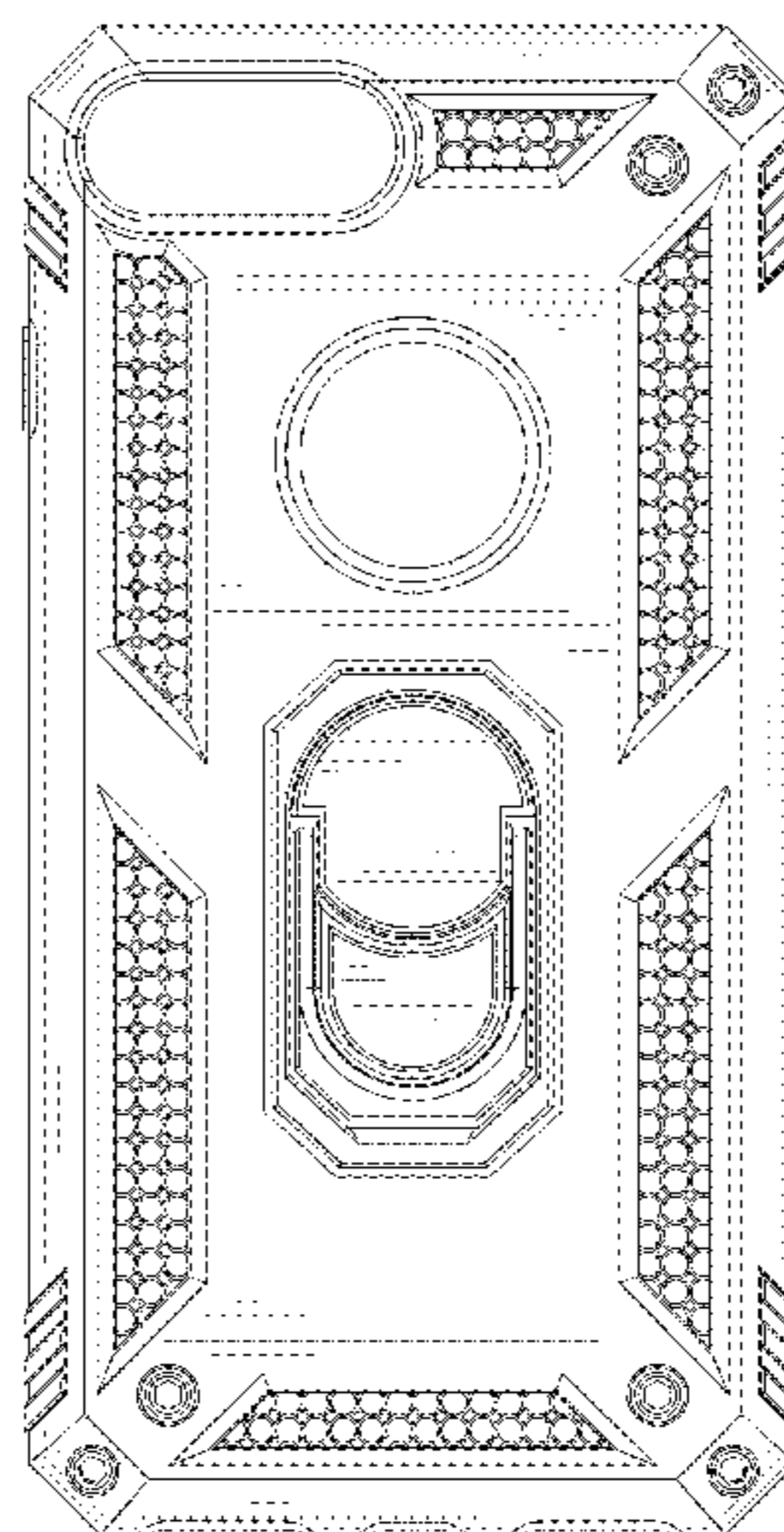
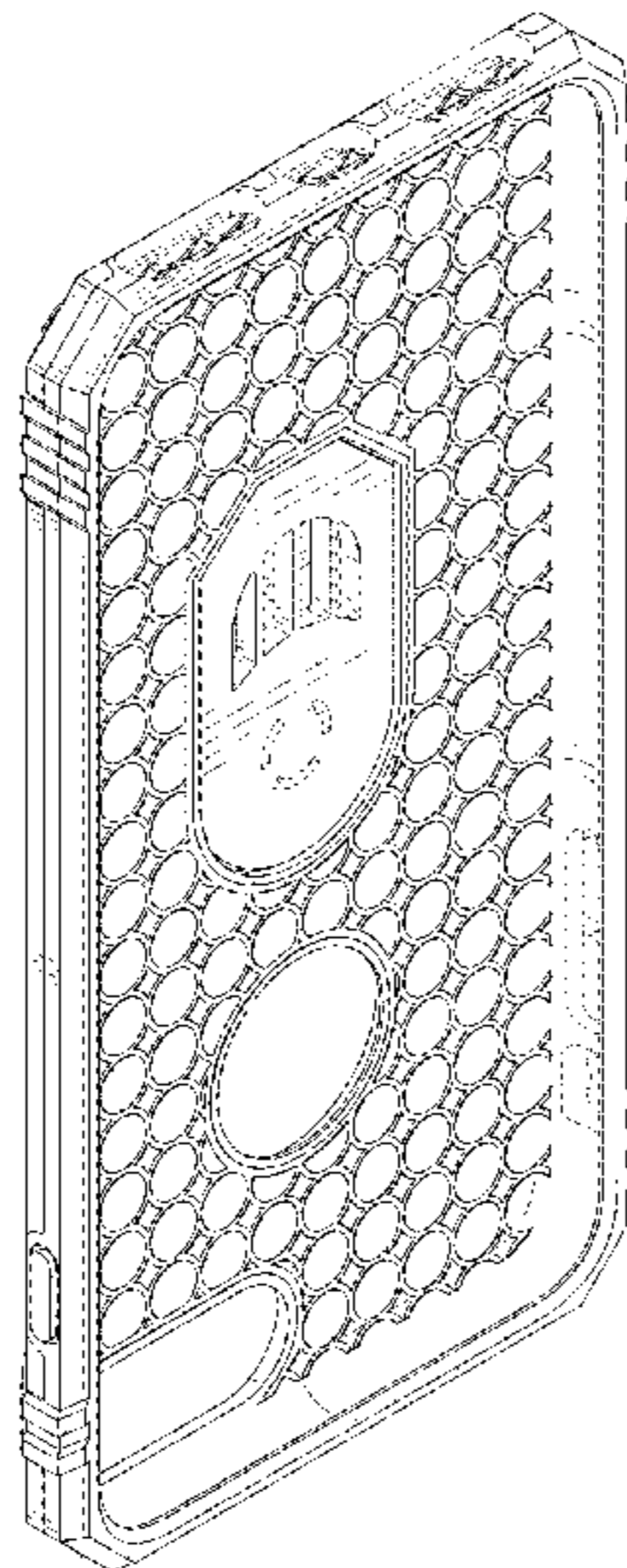
The ornamental design for a mobile phone shell, as shown and described.

**DESCRIPTION**

FIG. 1 is a first perspective view of a mobile phone shell showing my design;  
 FIG. 2 is a second perspective view thereof;  
 FIG. 3 is a front view thereof;  
 FIG. 4 is a back view thereof;  
 FIG. 5 is a left side view thereof;  
 FIG. 6 is a right side view thereof;  
 FIG. 7 is a top view thereof;  
 FIG. 8 is a bottom view thereof;  
 FIG. 9 is an enlarged view of the selected portion in FIG. 1; and,  
 FIG. 10 is an enlarged view of the selected portion in FIG. 1.

The dot-dash broken lines in FIGS. 1 and 9-10 delineate portions of the claimed design that are shown on an enlarged scale in FIGS. 9-10. The dashed broken lines throughout the drawing figures depict portions of the mobile phone shell that form no part of the claimed design. The broken lines and unshaded regions bounded by dashed broken lines form no part of the claimed design.

**1 Claim, 10 Drawing Sheets**



(56)

**References Cited**

U.S. PATENT DOCUMENTS

2015/0068934 A1\* 3/2015 Armstrong ..... A45C 11/00  
206/320  
2015/0141096 A1\* 5/2015 Murphy ..... B23P 19/00  
455/575.8  
2016/0039357 A1\* 2/2016 Jang ..... A45F 5/00  
224/567  
2016/0295980 A1\* 10/2016 Wu ..... G06F 1/1626  
2017/0055660 A1\* 3/2017 Tien ..... A45C 11/00  
2019/0068230 A1\* 2/2019 Sasaki ..... H04B 1/3888

\* cited by examiner

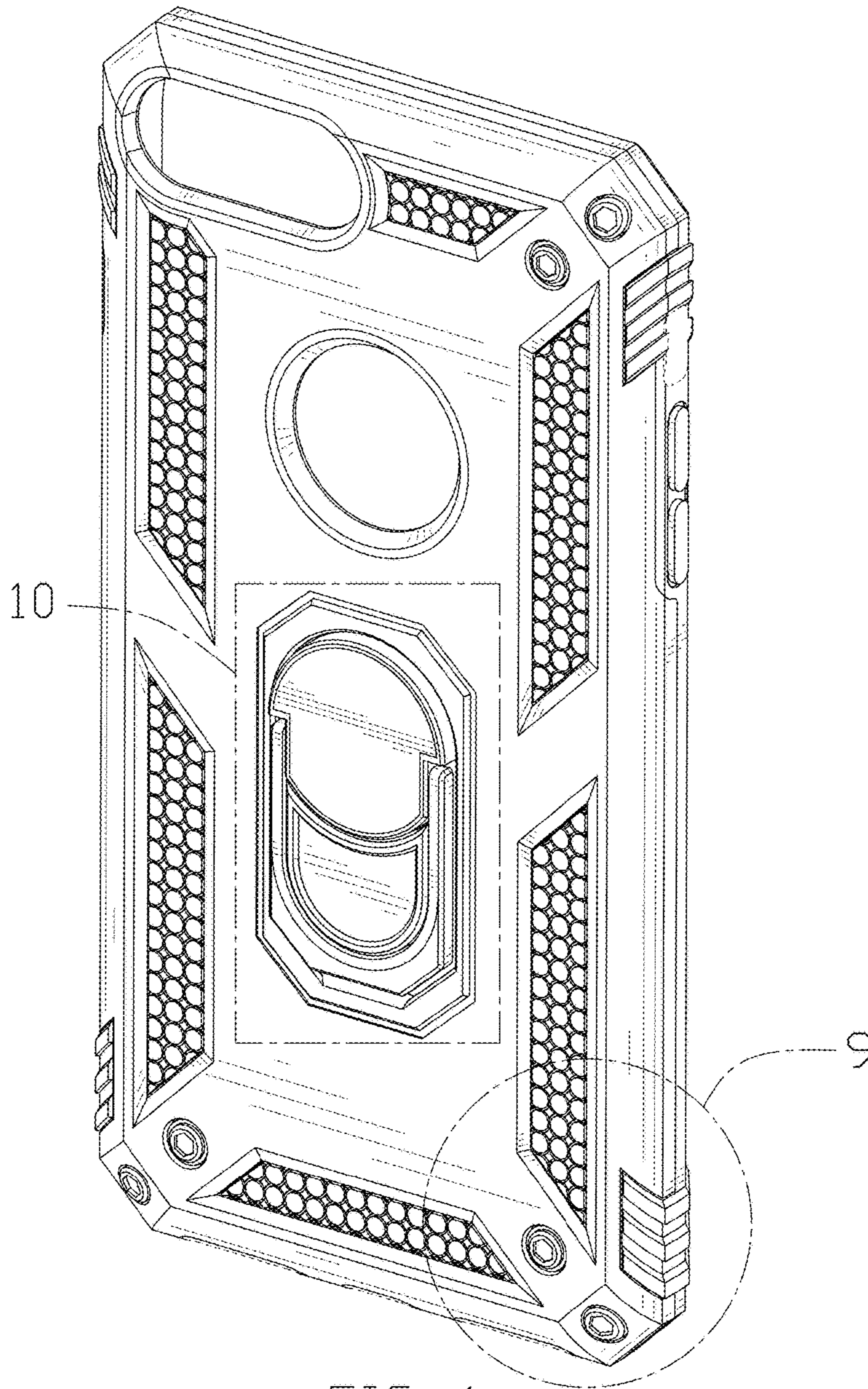


FIG. 1



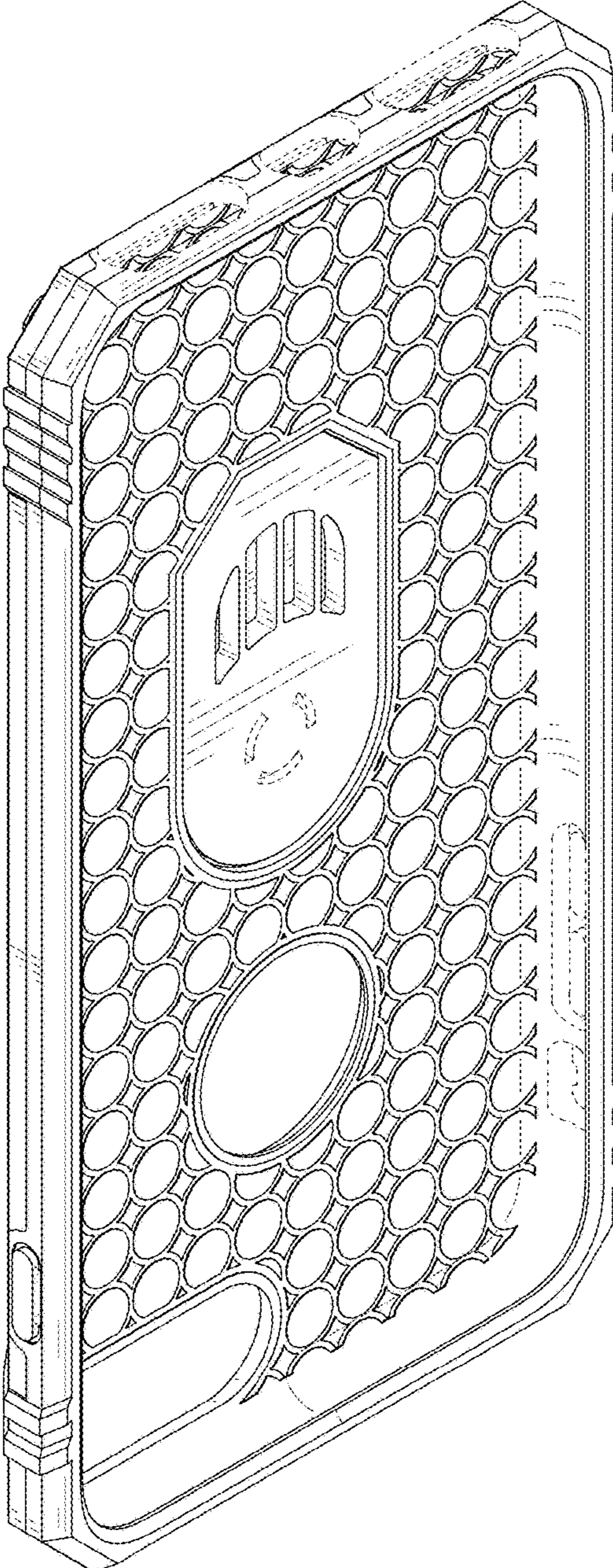


FIG. 2

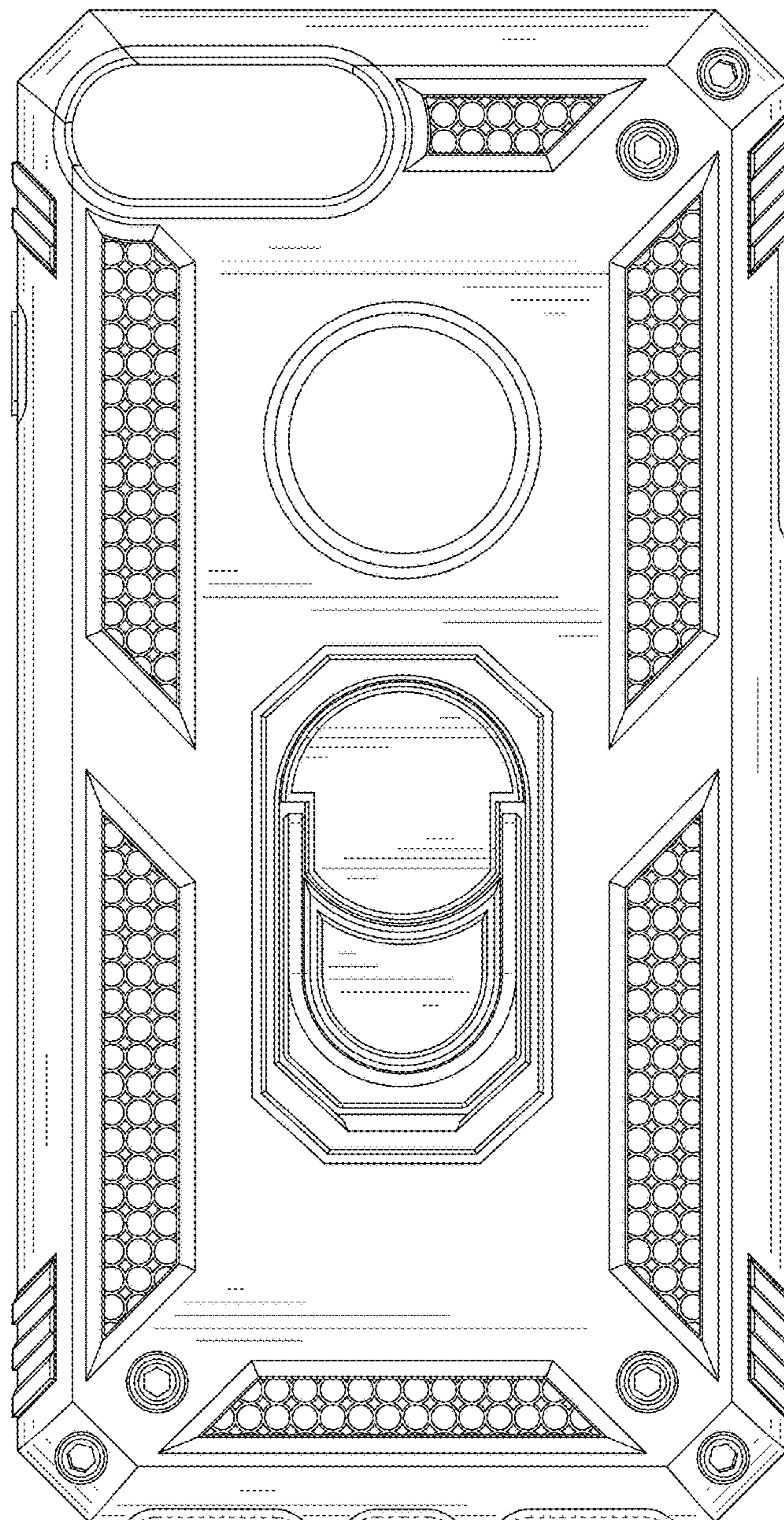


FIG. 3



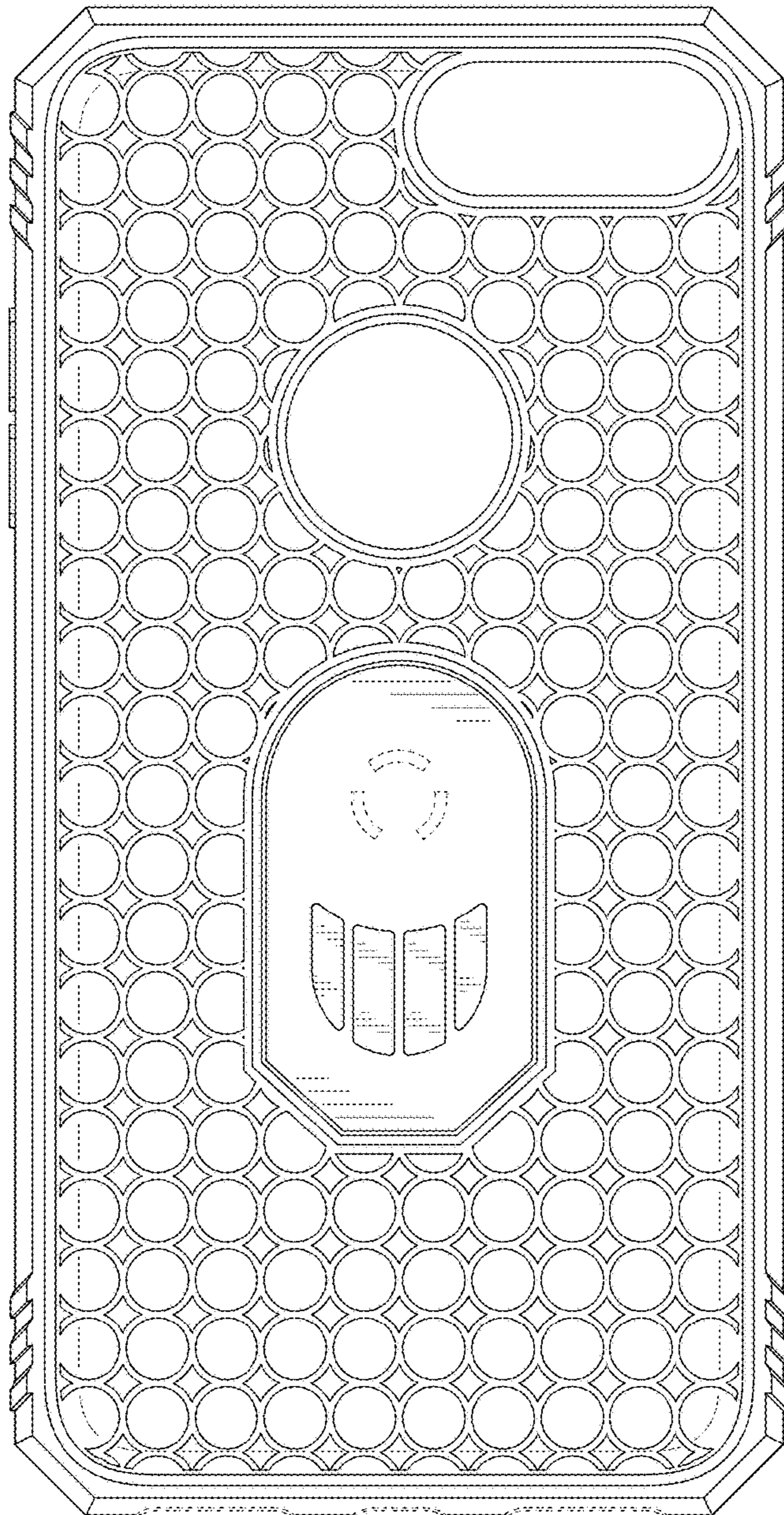


FIG. 4

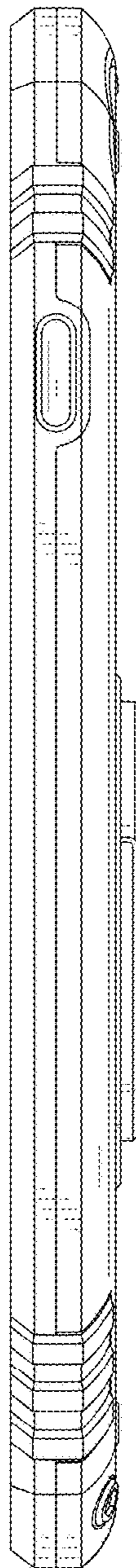


FIG. 5

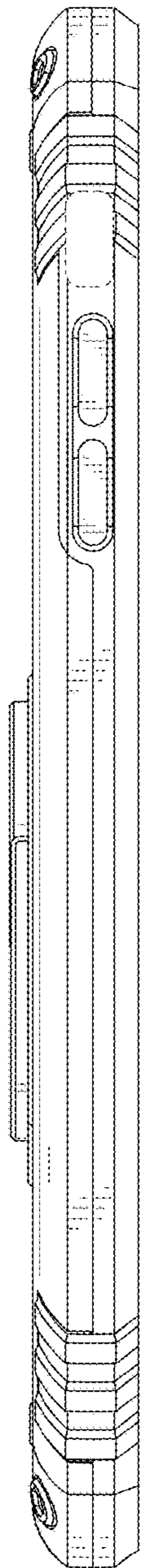


FIG. 6



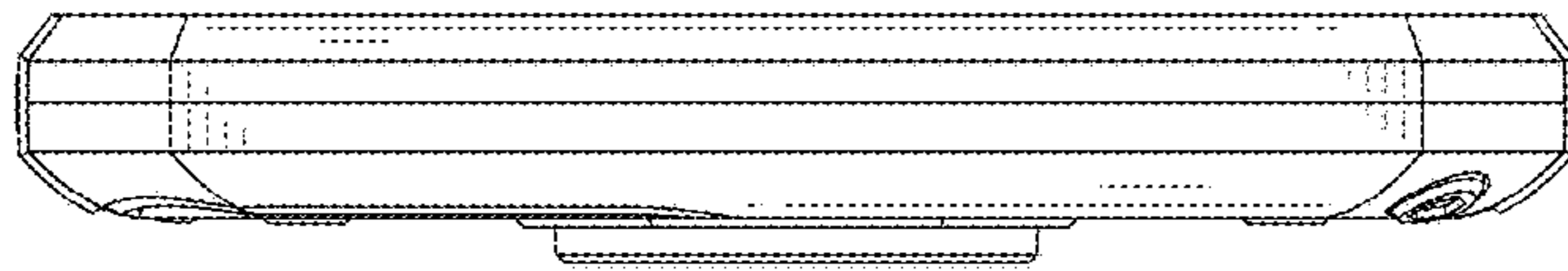


FIG. 7

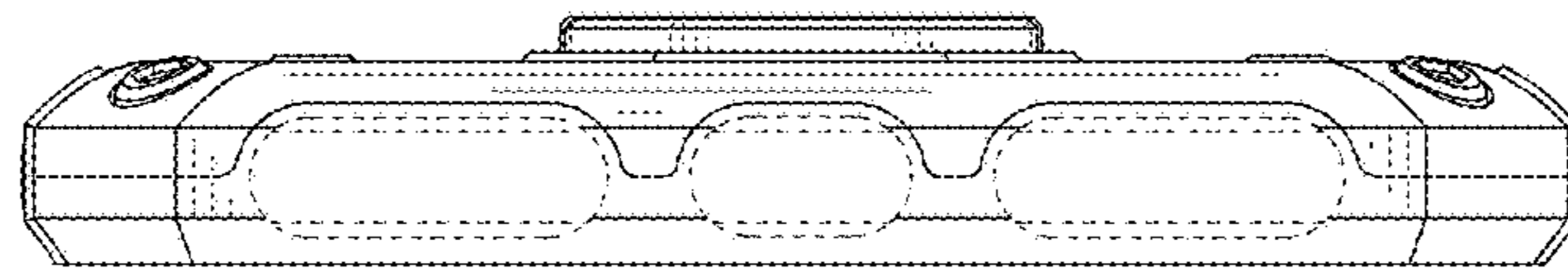


FIG. 8

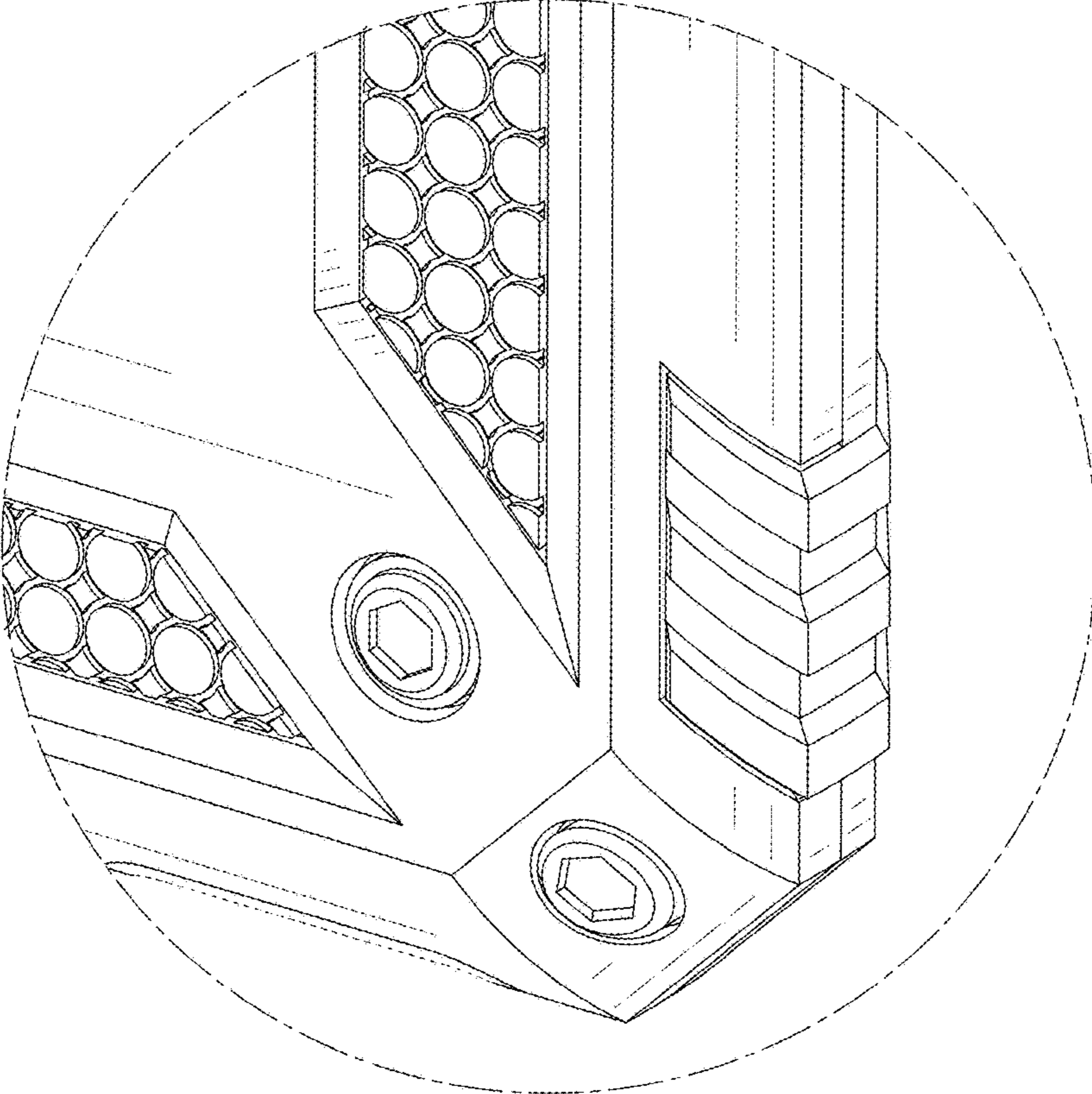


FIG. 9



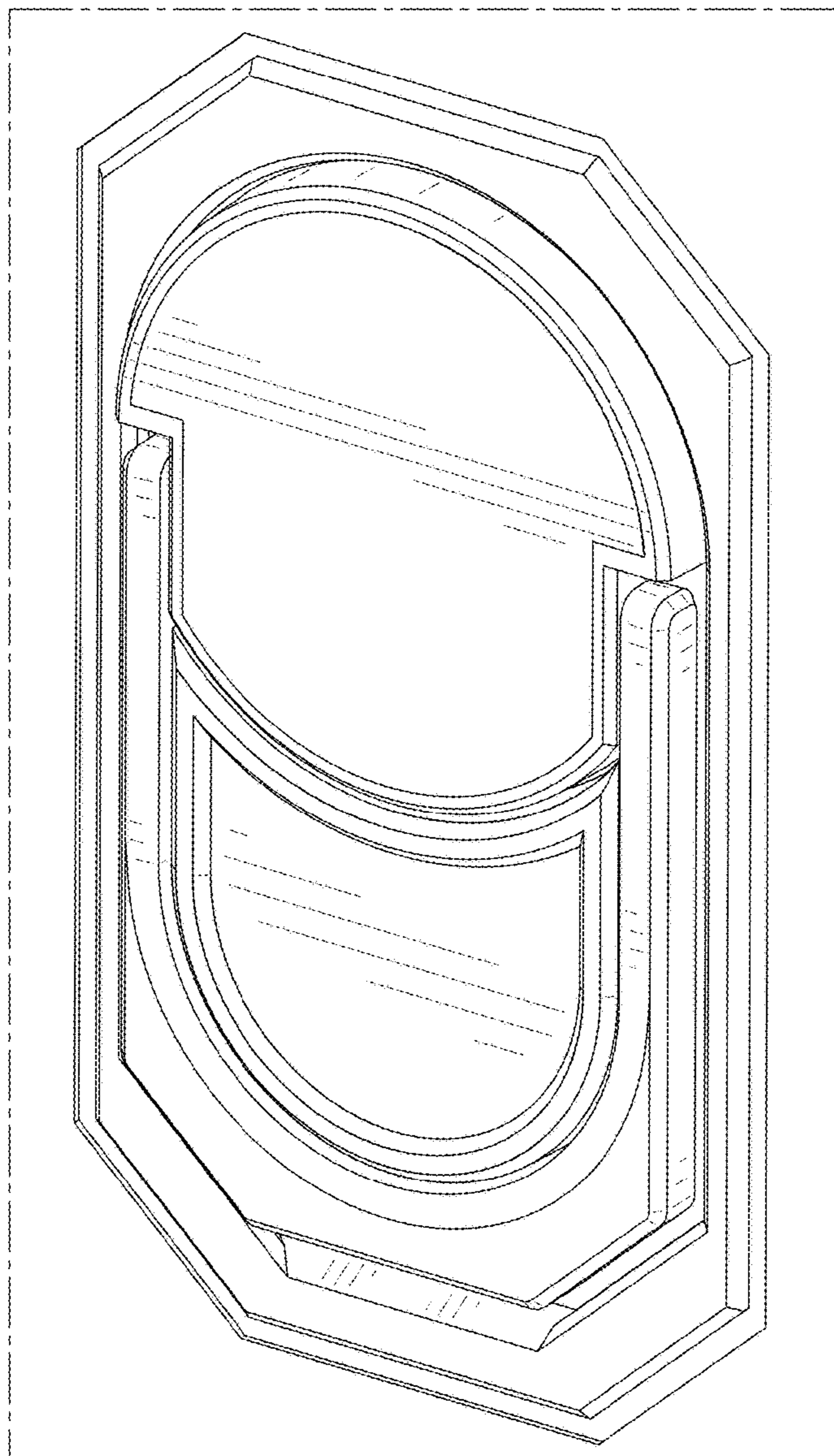


FIG. 10