



US00D863285S

(12) **United States Design Patent**
Chen

(10) **Patent No.:** **US D863,285 S**

(45) **Date of Patent:** **** Oct. 15, 2019**

(54) **CASE FOR ELECTRONIC COMMUNICATIONS DEVICE**

(71) Applicant: **Dongguan Guevara Communication Technology Co., Ltd.**, Dongguan, Guangdong Province (CN)

(72) Inventor: **Jinbao Chen**, Dongguan (CN)

(**) Term: **15 Years**

(21) Appl. No.: **29/667,782**

(22) Filed: **Oct. 24, 2018**

(51) **LOC (12) Cl.** **14-03**

(52) **U.S. Cl.**
USPC **D14/250**

(58) **Field of Classification Search**
USPC D14/439, 203.3–203.7, 447, 238.1, D14/251–253, 217, 240, 250, 440, 248; D3/201, 218, 247, 269, 273, 301, 303; D13/107–108, 103, 119
CPC H04B 1/3888; H04M 1/0283; H04M 1/0202; A45C 1/06; A45C 11/00; A45C 13/02; A45C 2011/002; A45F 2005/026; A45F 2200/0525; A45F 2200/0516
See application file for complete search history.

(56) **References Cited**

U.S. PATENT DOCUMENTS

D577,904 S *	10/2008	Sasaki	D3/201
7,938,260 B2 *	5/2011	Lin	A45C 11/00
				206/320
D675,604 S *	2/2013	Limber	D14/250
D693,350 S *	11/2013	Mish	D14/440
D716,294 S *	10/2014	Park	D14/341
D728,549 S *	5/2015	Su	D14/250
D745,524 S *	12/2015	Hung	D14/440
D755,772 S *	5/2016	Sasaki	D14/250

D762,203 S *	7/2016	Chin	D14/250
D762,631 S *	8/2016	Kim	D14/250
D762,633 S *	8/2016	Fife	D14/250
D775,100 S *	12/2016	Teruyama	D14/138 G
D775,617 S *	1/2017	Samson	D14/250
D776,104 S *	1/2017	Tien	D14/250
D777,727 S *	1/2017	Maicon	D14/440
D780,167 S *	2/2017	Tien	D14/250
D780,741 S *	3/2017	Yin	D14/250
D783,588 S *	4/2017	Chang	D14/250
D801,976 S *	11/2017	Li	D14/440
D812,600 S *	3/2018	Altaras	D14/250
D824,893 S *	8/2018	Ahn	D14/250
D831,636 S *	10/2018	Zhu	D14/250
D839,862 S *	2/2019	Hyun	D14/250
2014/0216953 A1 *	8/2014	Su	A45C 11/00
				206/37
2016/0197638 A1 *	7/2016	Demnard	H04B 1/3888
				455/575.8
2017/0033824 A1 *	2/2017	Tien	H04B 1/3888

* cited by examiner

Primary Examiner — Carla J Wright
(74) *Attorney, Agent, or Firm* — Novoclaims Patent Services LLC; Mei Lin Wong

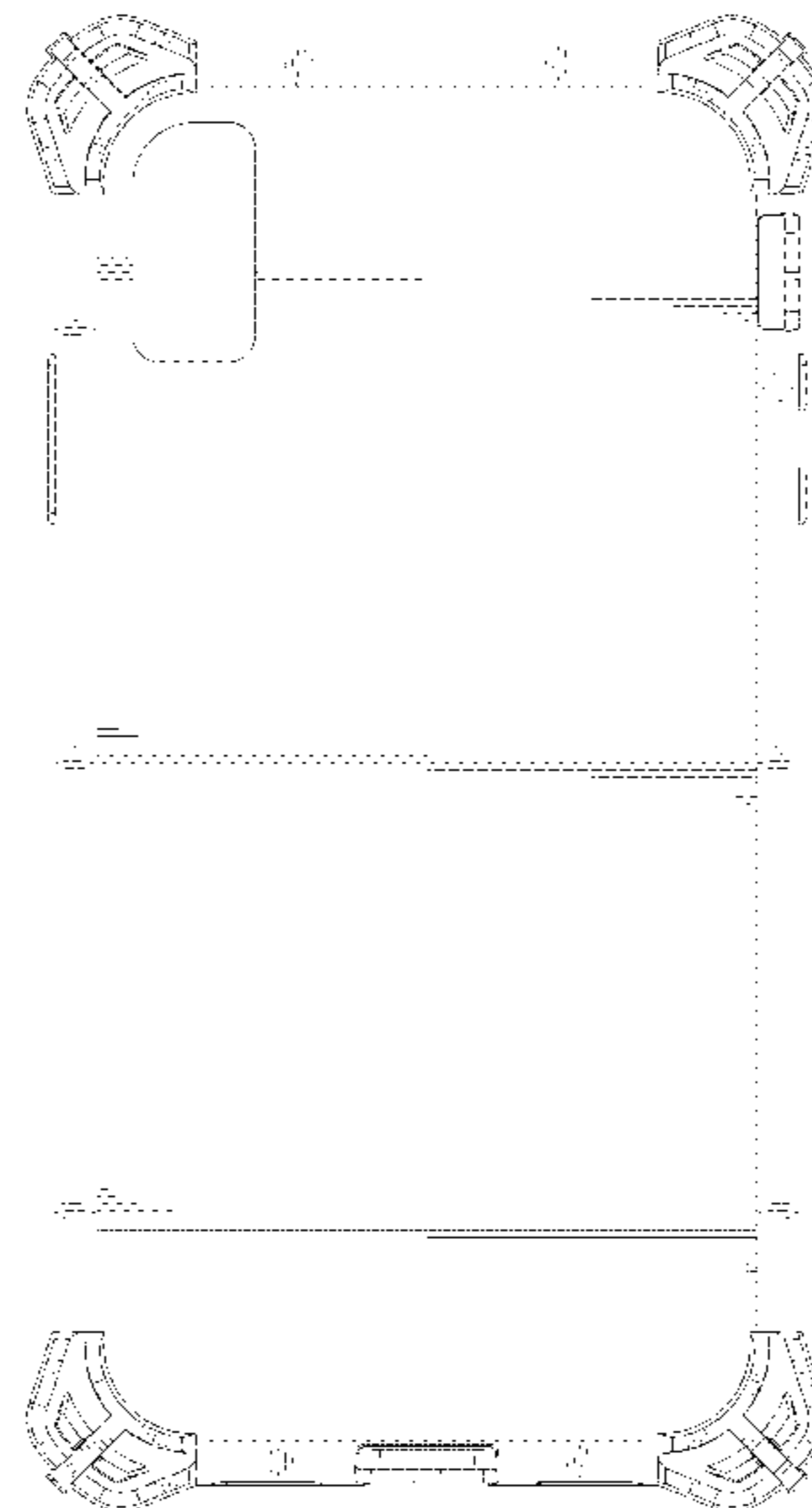
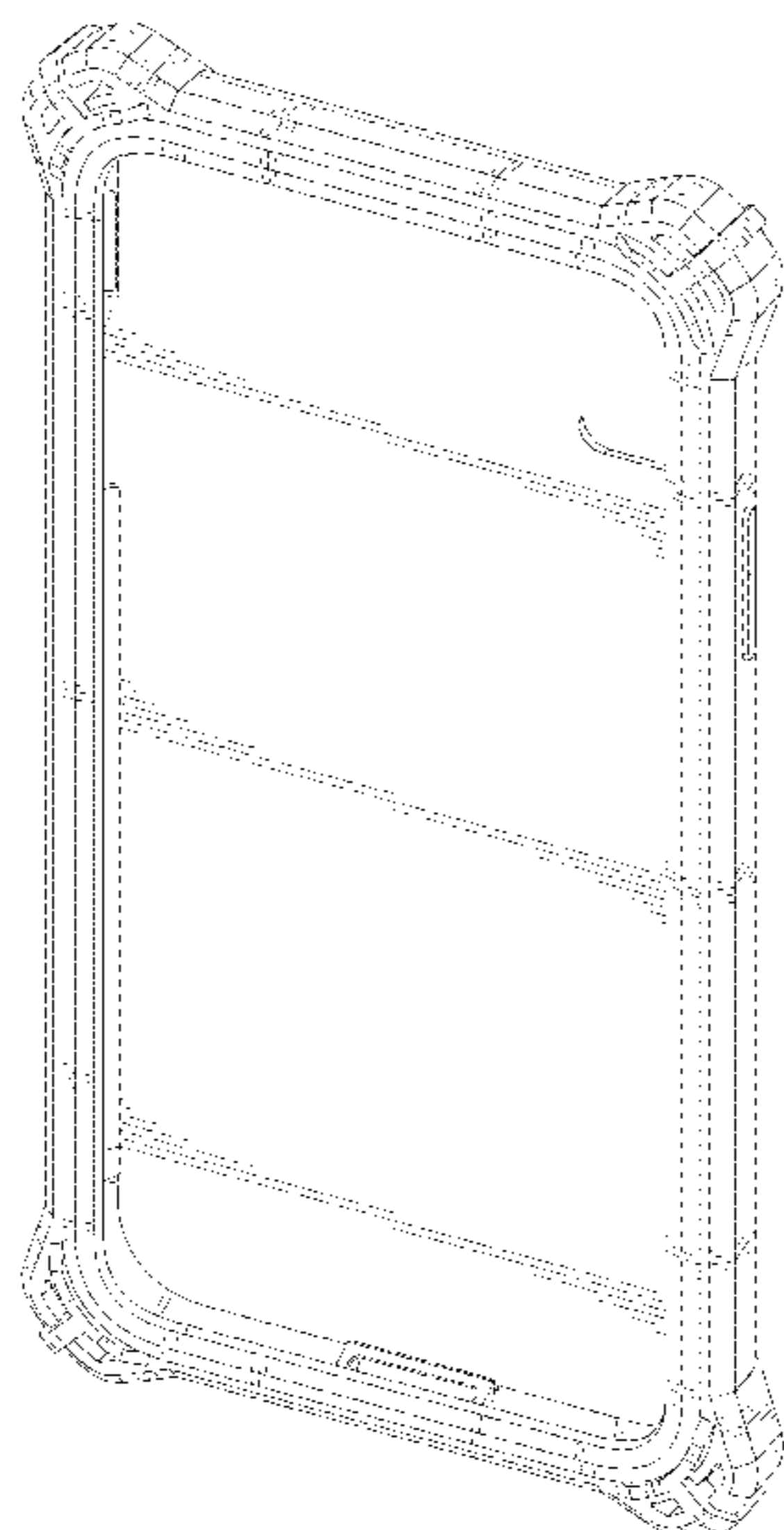
(57) **CLAIM**

The ornamental design for a case for electronic communications device, as shown and described.

DESCRIPTION

FIG. 1 is a front perspective view of a case for electronic communications device showing my new design; FIG. 2 is a rear perspective view thereof; FIG. 3 is a front view thereof; FIG. 4 is a rear view thereof; FIG. 5 is a left side view thereof; FIG. 6 is a right side view thereof; FIG. 7 is a top view thereof; and, FIG. 8 is a bottom view thereof.

1 Claim, 8 Drawing Sheets



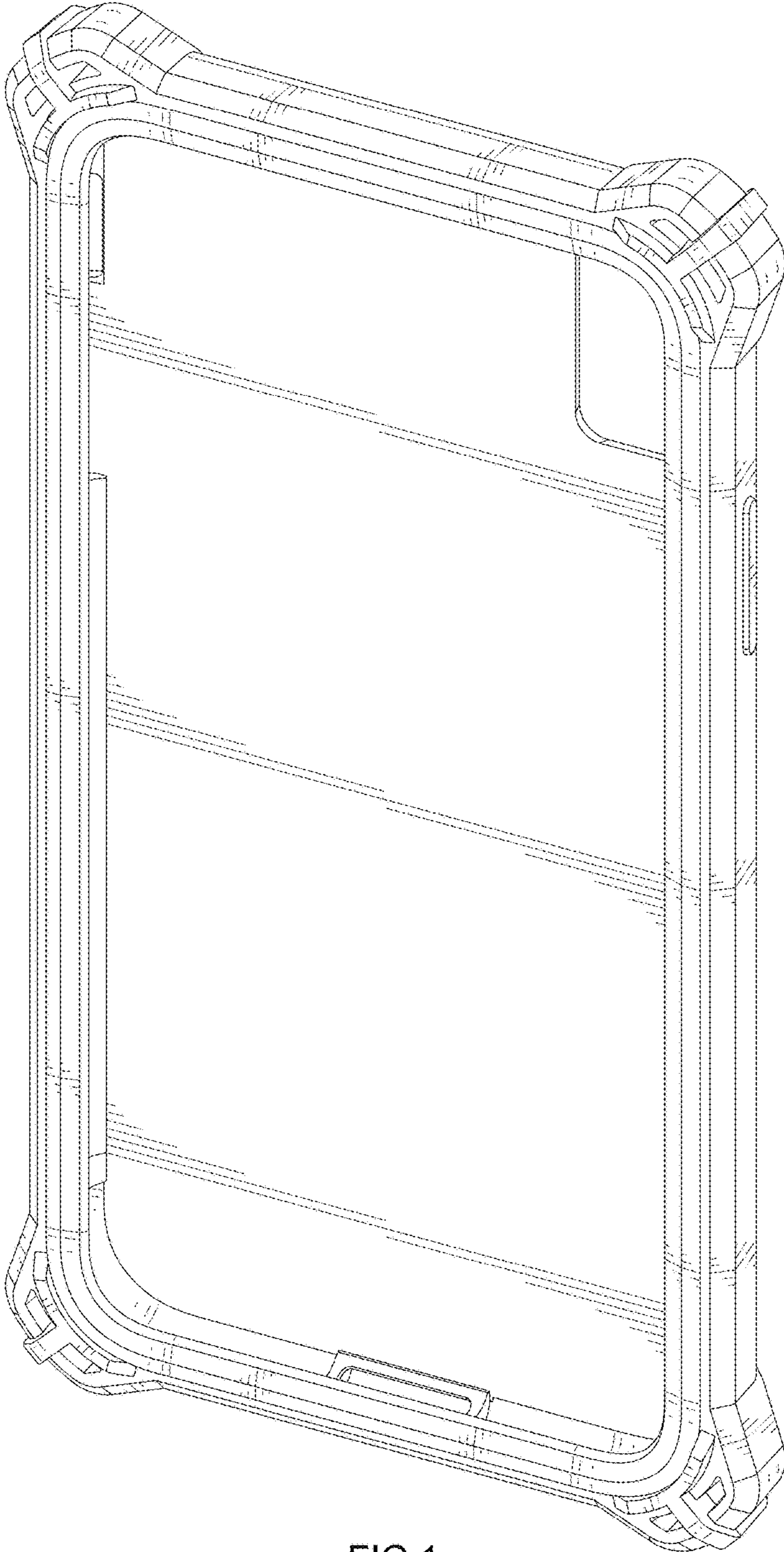


FIG.1

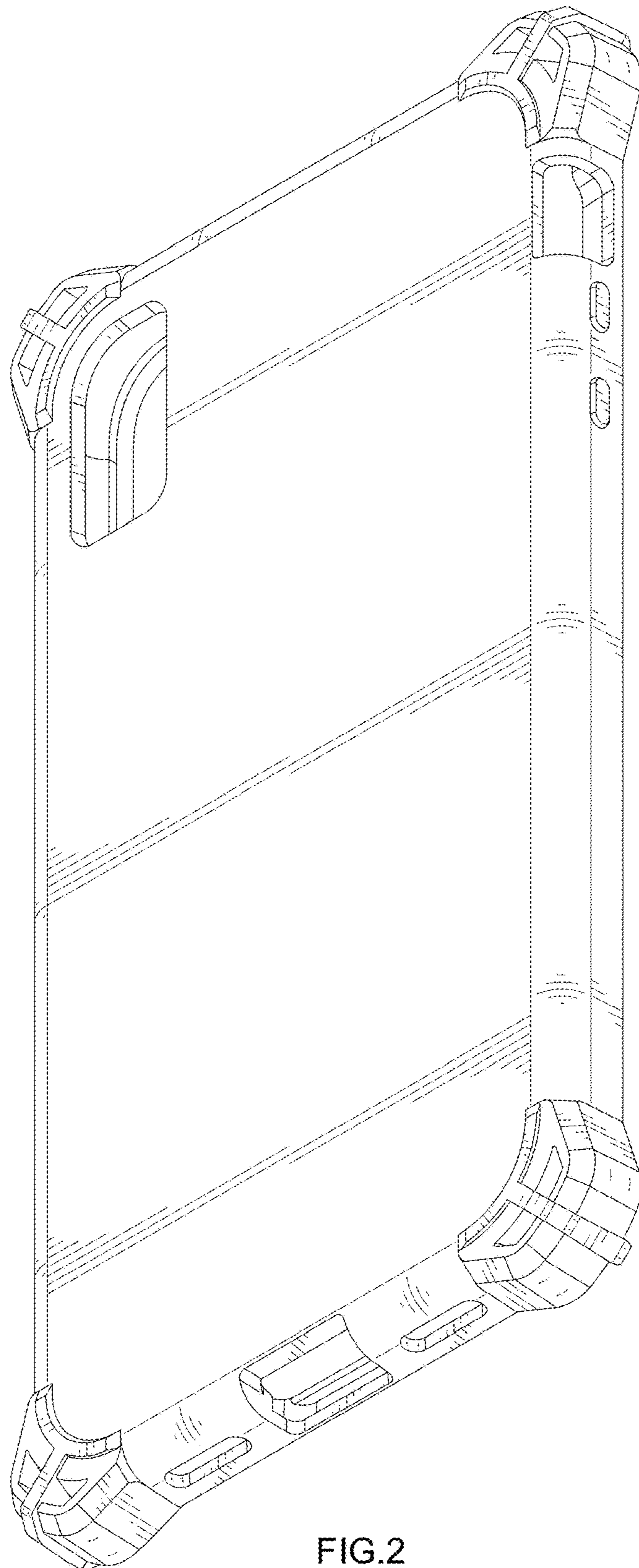


FIG.2

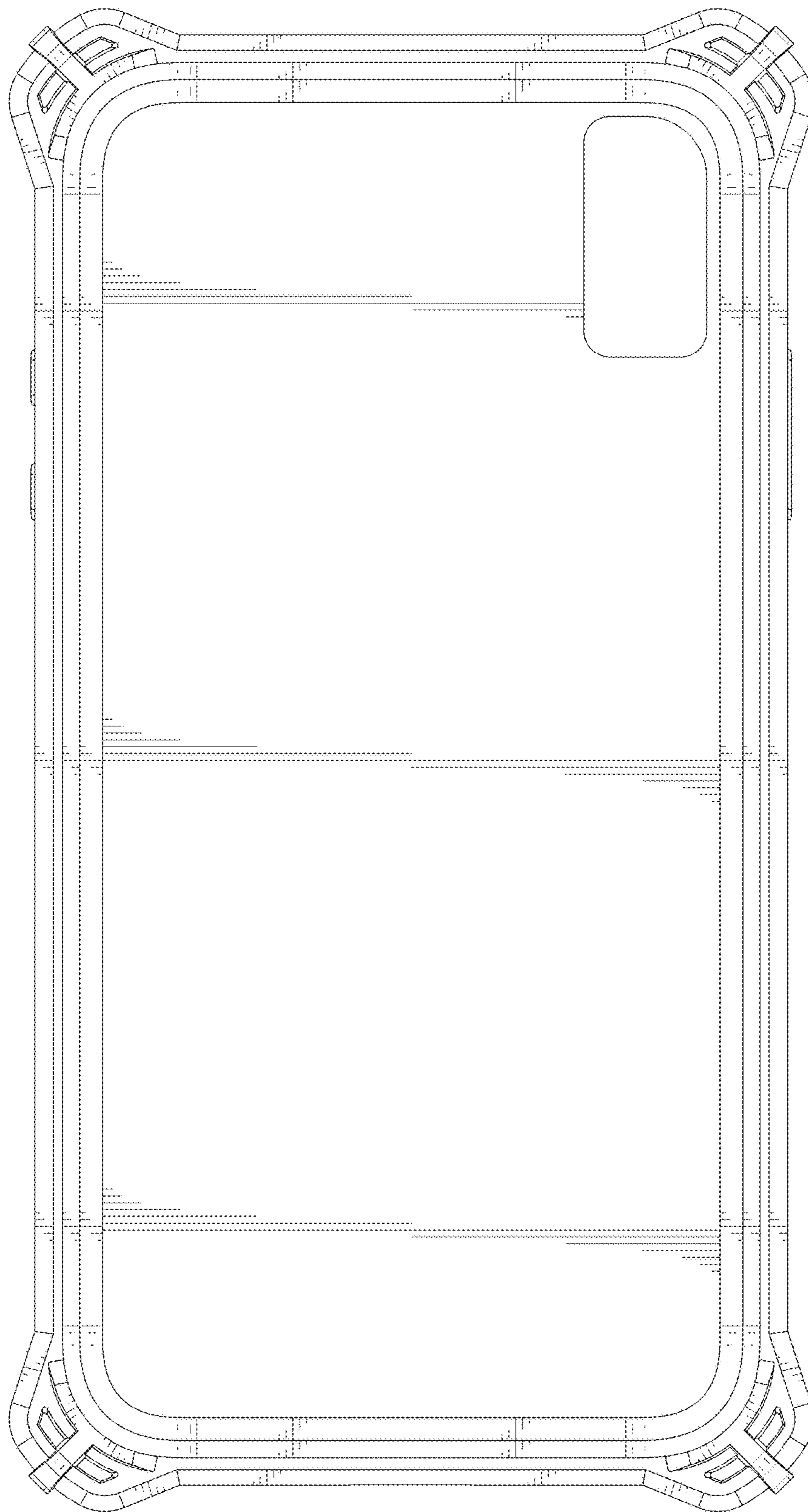


FIG.3

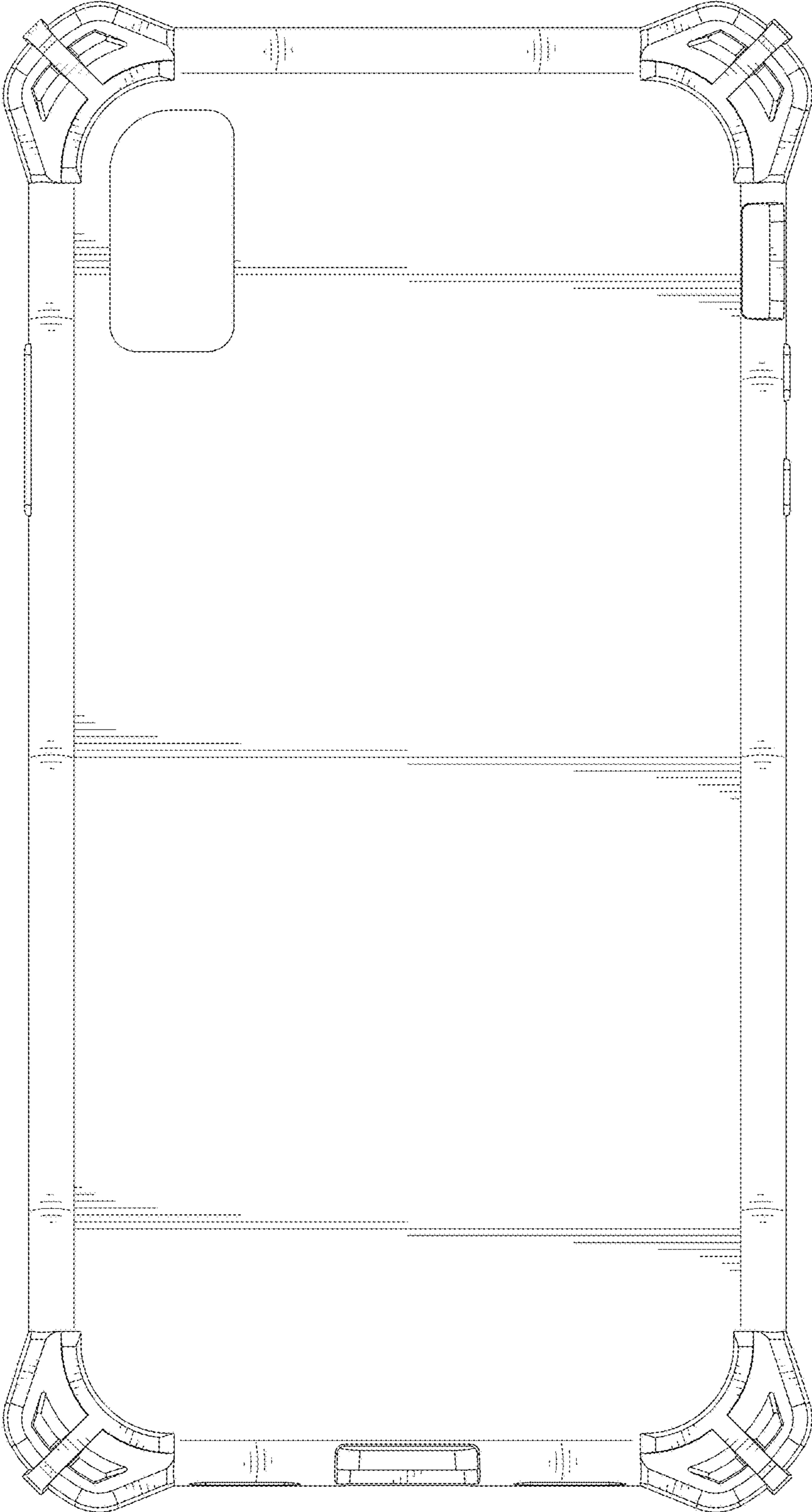


FIG.4

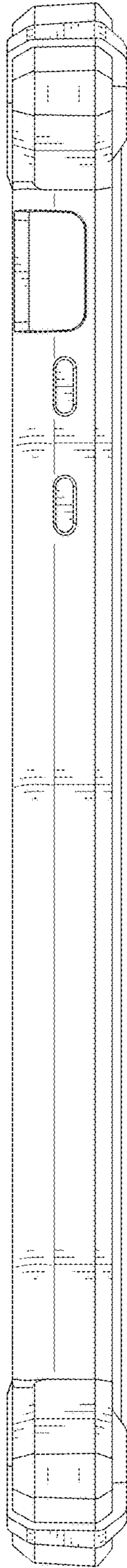


FIG.5

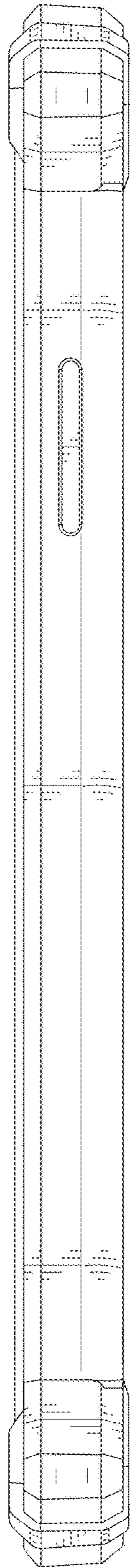


FIG.6

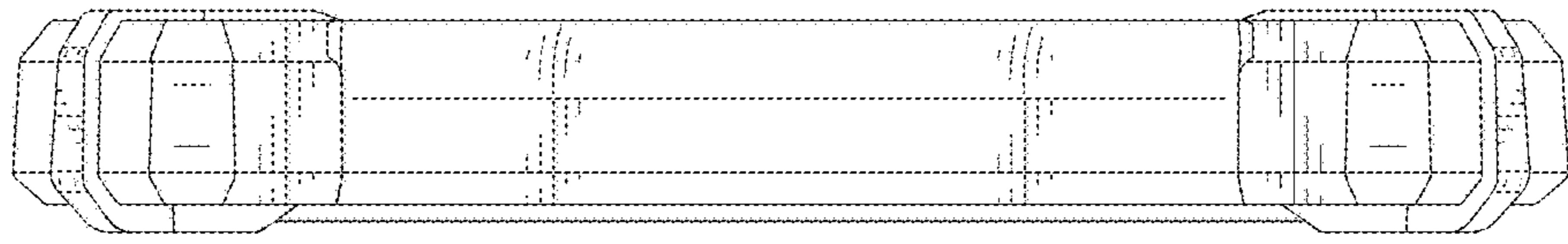


FIG.7

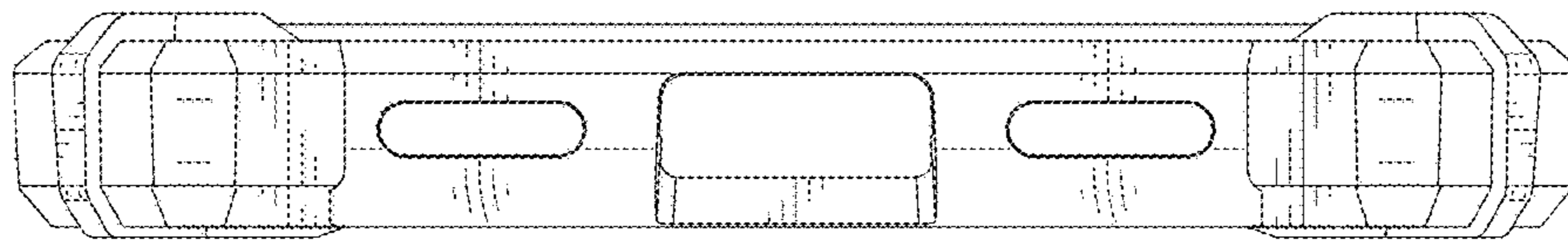


FIG.8