



US00D863284S

(12) **United States Design Patent**
Luo

(10) **Patent No.:** **US D863,284 S**
(45) **Date of Patent:** **** Oct. 15, 2019**

(54) **PROTECTIVE CASE FOR MOBILE PHONE**

(71) Applicant: **Xiaoming Luo**, Guangdong (CN)

(72) Inventor: **Xiaoming Luo**, Guangdong (CN)

(**) Term: **15 Years**

(21) Appl. No.: **29/665,362**

(22) Filed: **Oct. 2, 2018**

(51) **LOC (12) Cl.** **14-03**

(52) **U.S. Cl.**
USPC **D14/250**

(58) **Field of Classification Search**
USPC D14/250, 203.3–203.7, 439, 238.1, 440,
D14/251–253, 447, 217, 240, 248;
D3/201, 218, 247, 269, 273, 301, 303;
D13/103, 107–108, 119
CPC H04B 1/3888; H04M 1/0283; H04M
1/0202; A45C 1/06; A45C 11/00; A45C
13/02; A45C 2011/002; A45F 2005/026;
A45F 2200/0525; A45F 2200/0516
See application file for complete search history.

(56) **References Cited**

U.S. PATENT DOCUMENTS

D683,338 S *	5/2013	Wilson	D14/250
D685,776 S *	7/2013	Bau	D14/250
D691,124 S *	10/2013	Yang	D14/250
D709,057 S *	7/2014	Wilson	D14/250
D709,059 S *	7/2014	Kim	D14/250
D709,485 S *	7/2014	Bishop	D14/250
D722,312 S *	2/2015	Tages	D14/250
D724,093 S *	3/2015	Dong	D14/440
9,007,758 B2 *	4/2015	Wilson	H04W 4/90 361/679.26
D734,748 S *	7/2015	Chen	D14/341

D734,749 S *	7/2015	Chen	D14/341
D748,612 S *	2/2016	Chan	D14/250
D761,774 S *	7/2016	Liang	D14/250
D765,629 S *	9/2016	Watt	D14/250
D769,855 S *	10/2016	Deng	D14/250
D772,857 S *	11/2016	Poon	D14/250
D784,975 S *	4/2017	Ballou	D14/250
D788,058 S *	5/2017	Astheimer	D14/138 G
D789,315 S *	6/2017	Astheimer	D14/138 G
D800,712 S *	10/2017	Lai	D14/250
D802,551 S *	11/2017	Hunt	D14/138 G
D816,654 S *	5/2018	Chen	D14/250
2013/0193006 A1 *	8/2013	Bergreen	A45C 11/22 206/37
2014/0246339 A1 *	9/2014	Chung	H04B 1/3888 206/37
2015/0173229 A1 *	6/2015	Chao	B65D 81/02 206/524.2
2015/0189963 A1 *	7/2015	Lai	A45C 13/008 224/191

* cited by examiner

Primary Examiner — Carla J Wright

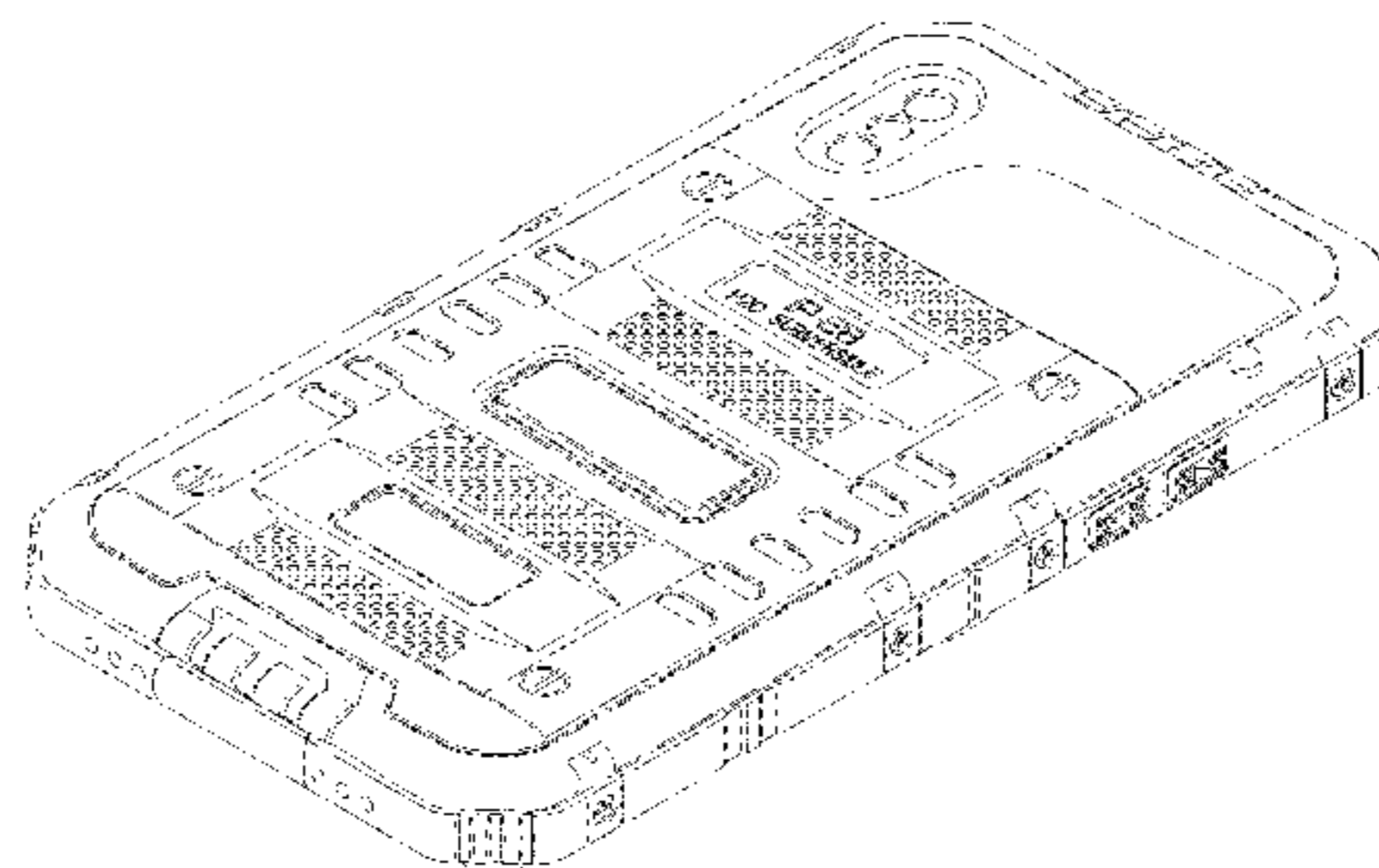
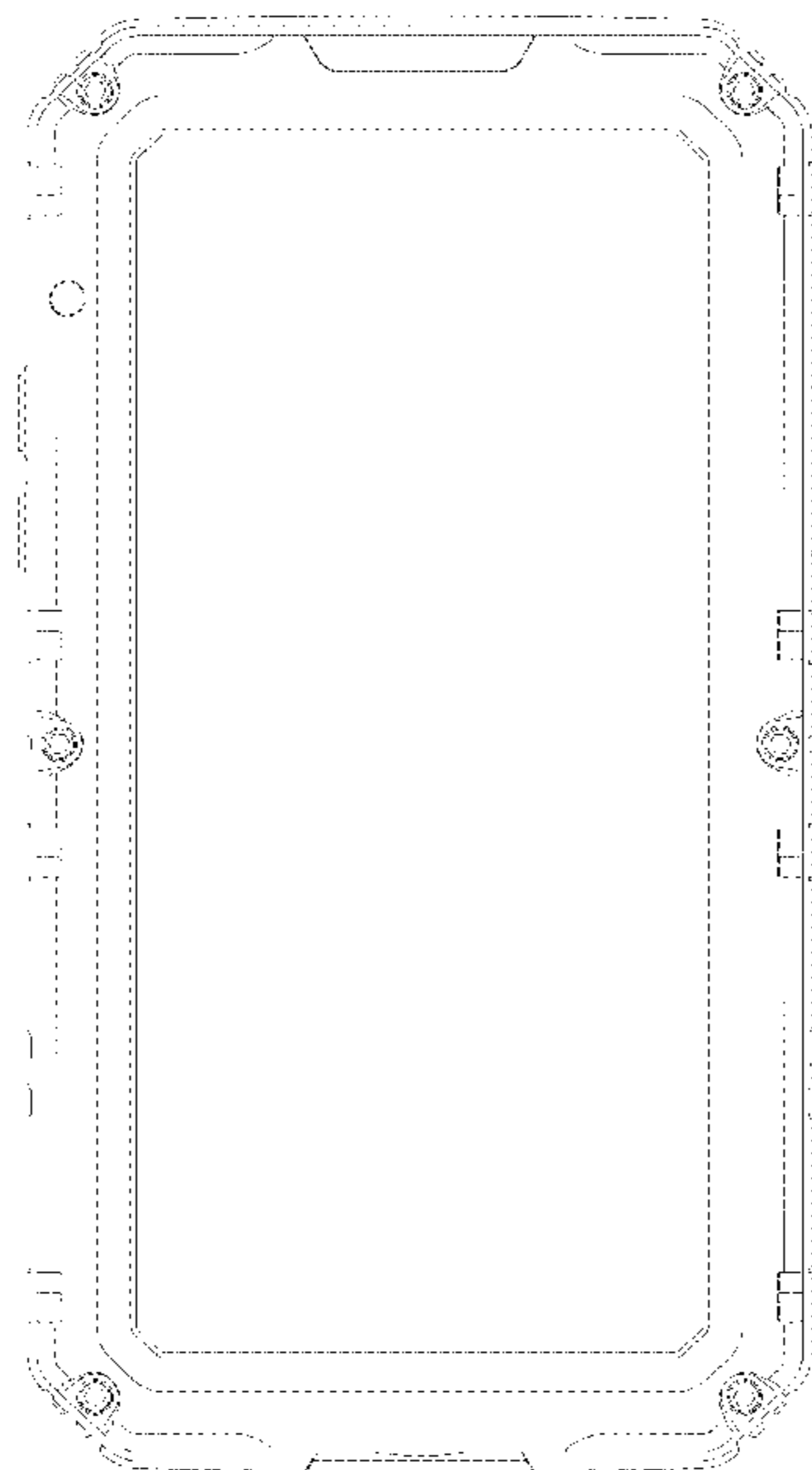
(57) **CLAIM**

The ornamental design for a protective case for mobile phone, as shown.

DESCRIPTION

FIG. 1 is a front elevational view of a protective case for mobile phone showing my new design; FIG. 2 is a rear elevational view thereof; FIG. 3 is a left side view thereof; FIG. 4 is a right side view thereof; FIG. 5 is a top plan view thereof; FIG. 6 is a bottom plan view thereof; FIG. 7 is a perspective view thereof; and, FIG. 8 is another perspective view thereof.

1 Claim, 6 Drawing Sheets



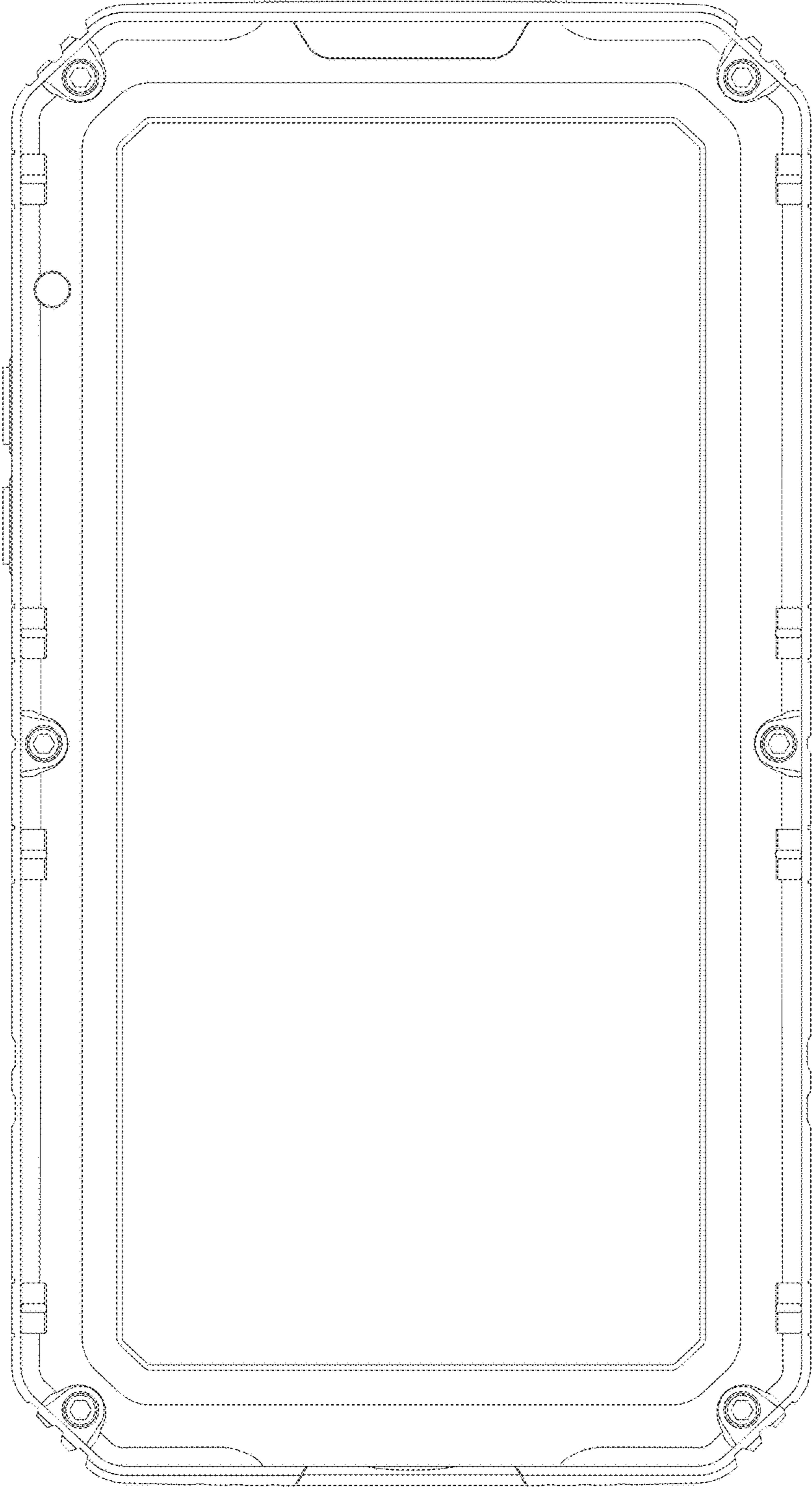


Fig. 1

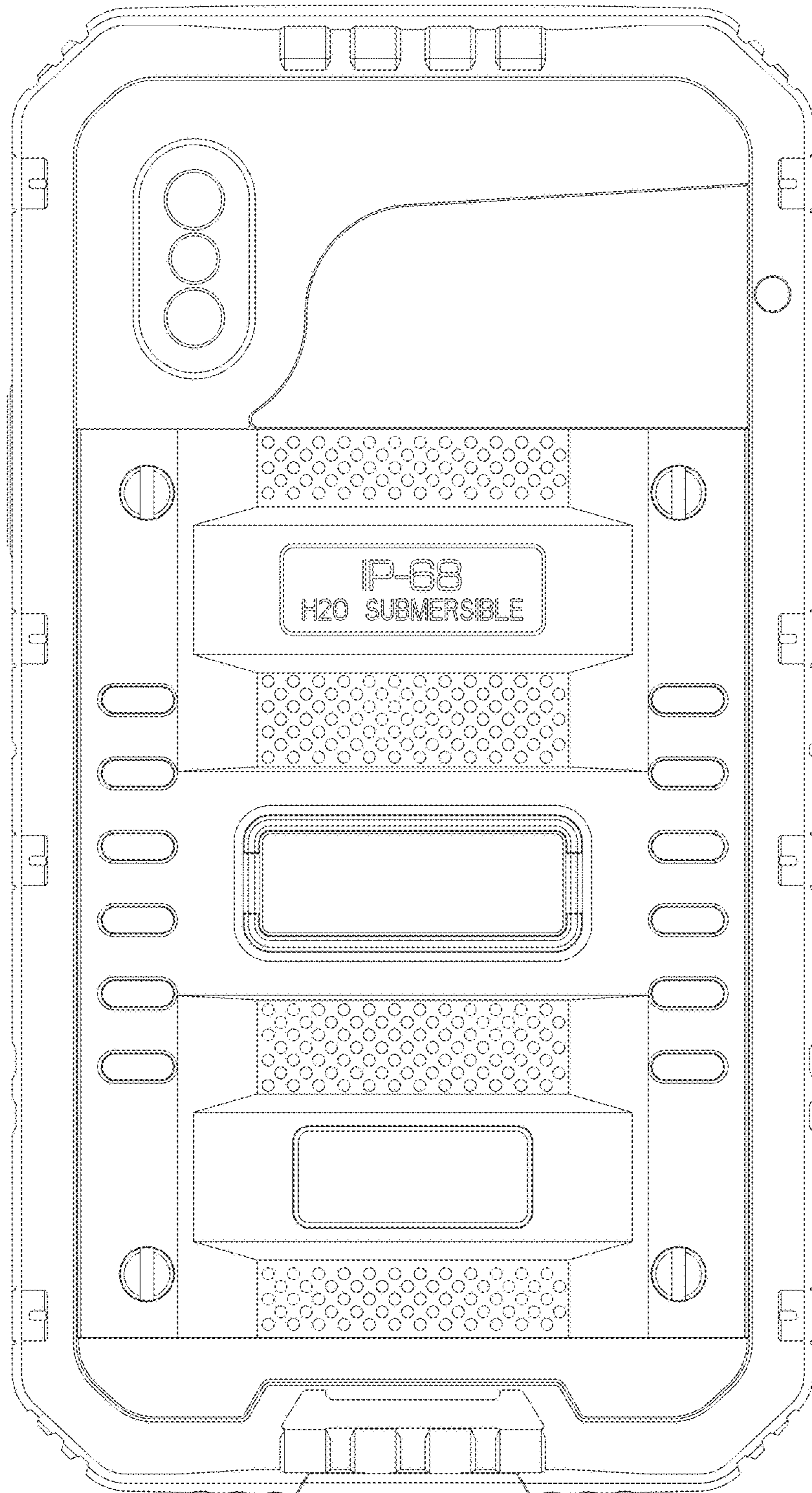


Fig. 2

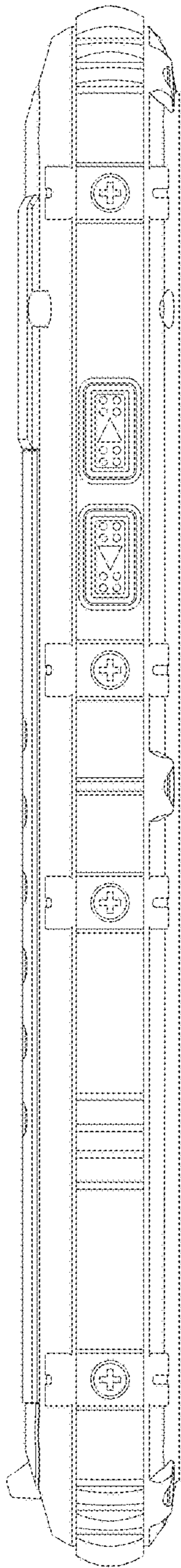


Fig. 3

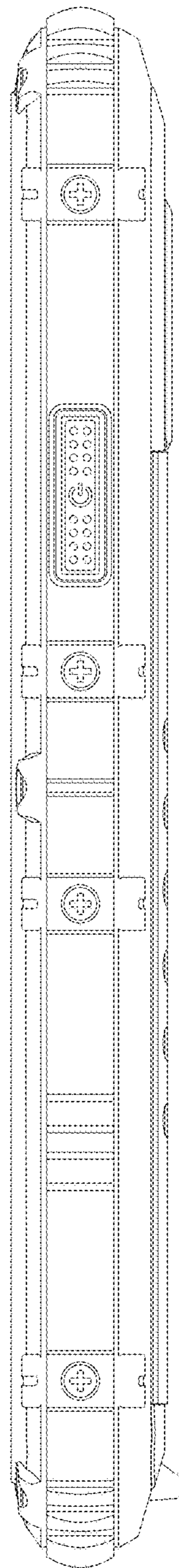


Fig. 4

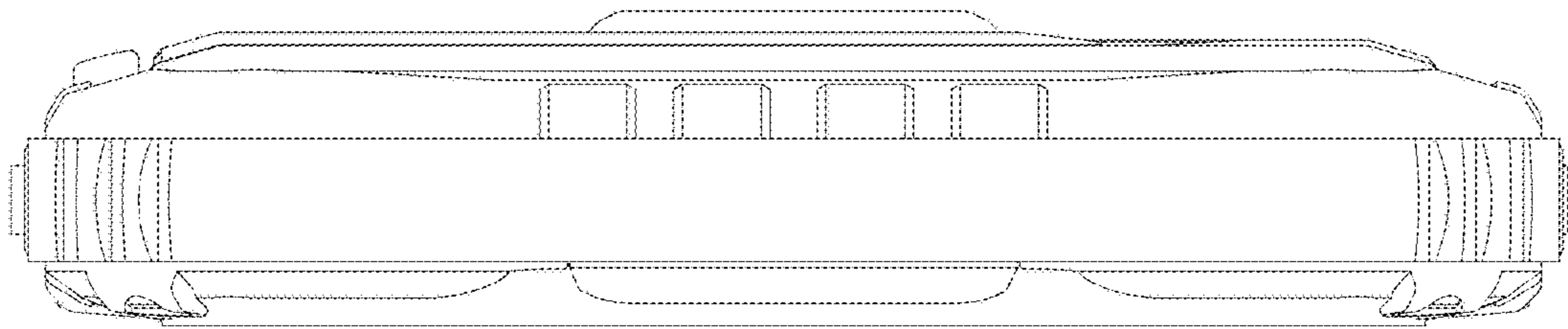


Fig. 5

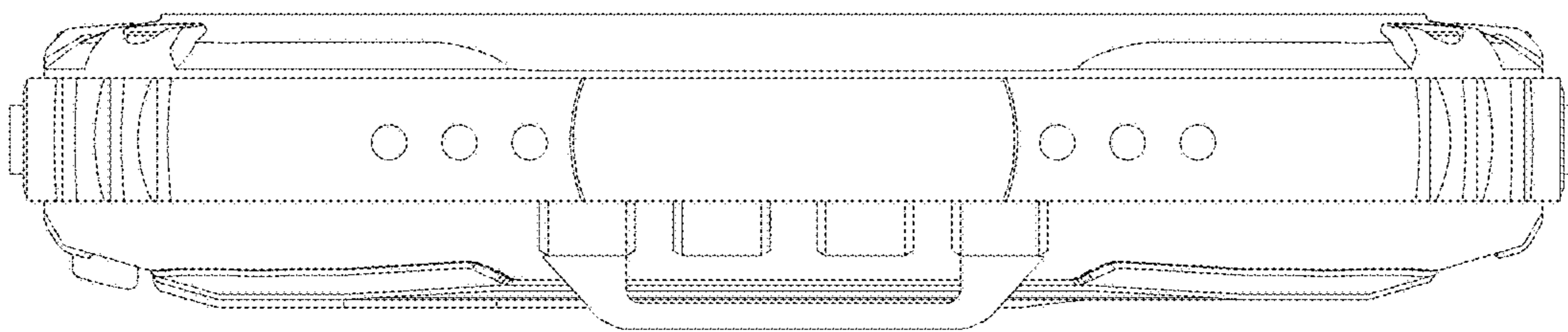


Fig. 6

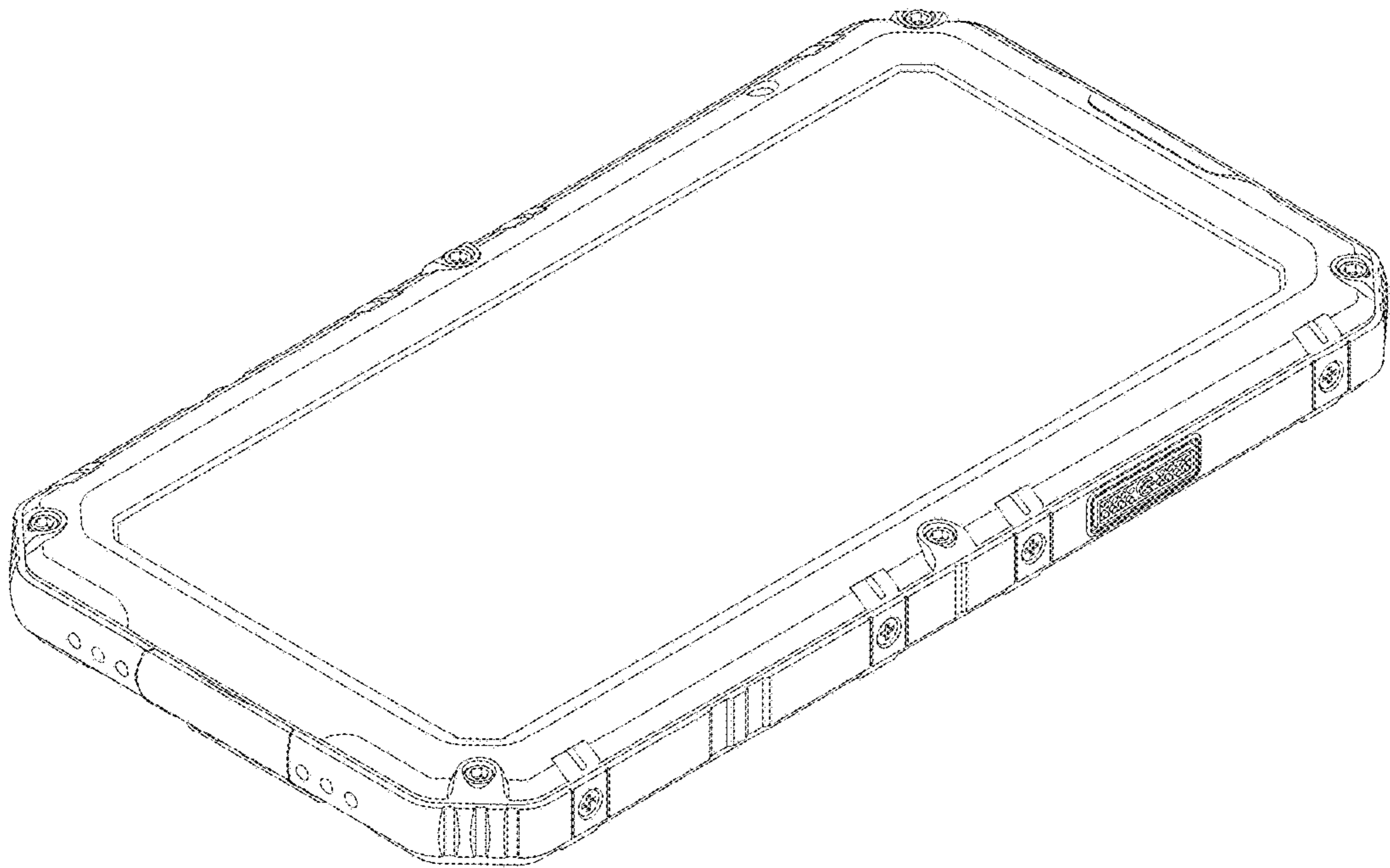


Fig. 7

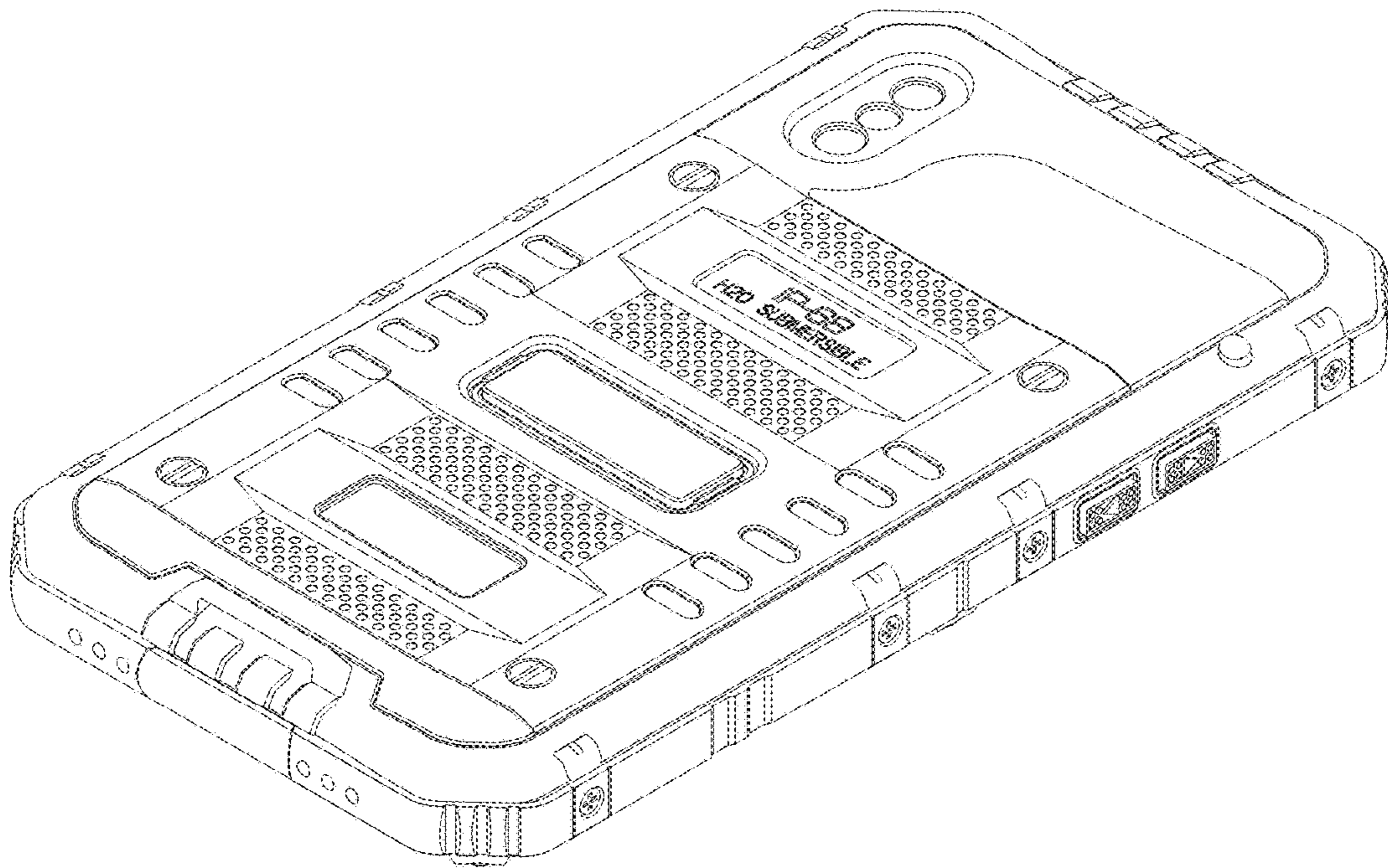


Fig. 8