



US00D863282S

(12) **United States Design Patent** (10) **Patent No.:** **US D863,282 S**  
**Jung** (45) **Date of Patent:** **\*\* \*Oct. 15, 2019**

(54) **CASE FOR ELECTRONIC DEVICES**

(71) Applicant: **SPIGEN KOREA CO., LTD.**, Seoul (KR)

(72) Inventor: **Soo Ha Jung**, Seoul (KR)

(73) Assignee: **SPIGEN KOREA CO., LTD.**, Seoul (KR)

(\*) Notice: This patent is subject to a terminal disclaimer.

(\*\*) Term: **15 Years**

(21) Appl. No.: **29/636,482**

(22) Filed: **Feb. 8, 2018**

(51) **LOC (12) Cl.** ..... **14-03**

(52) **U.S. Cl.**  
USPC ..... **D14/250**

(58) **Field of Classification Search**

USPC ..... D3/201, 226, 227, 247, 249, 250, 269, D3/303; D13/103, 107, 108, 119; D14/137, 138 R, 138 AA, 138 C, 138 G, D14/203.3-203.7, 217, 238.1, 247, 248, D14/250-253, 440

CPC ..... H04M 1/0283; H04M 1/0202; A45C 1/06; A45C 2011/002; A45C 11/00; A45F 2005/028; A45F 2200/0525

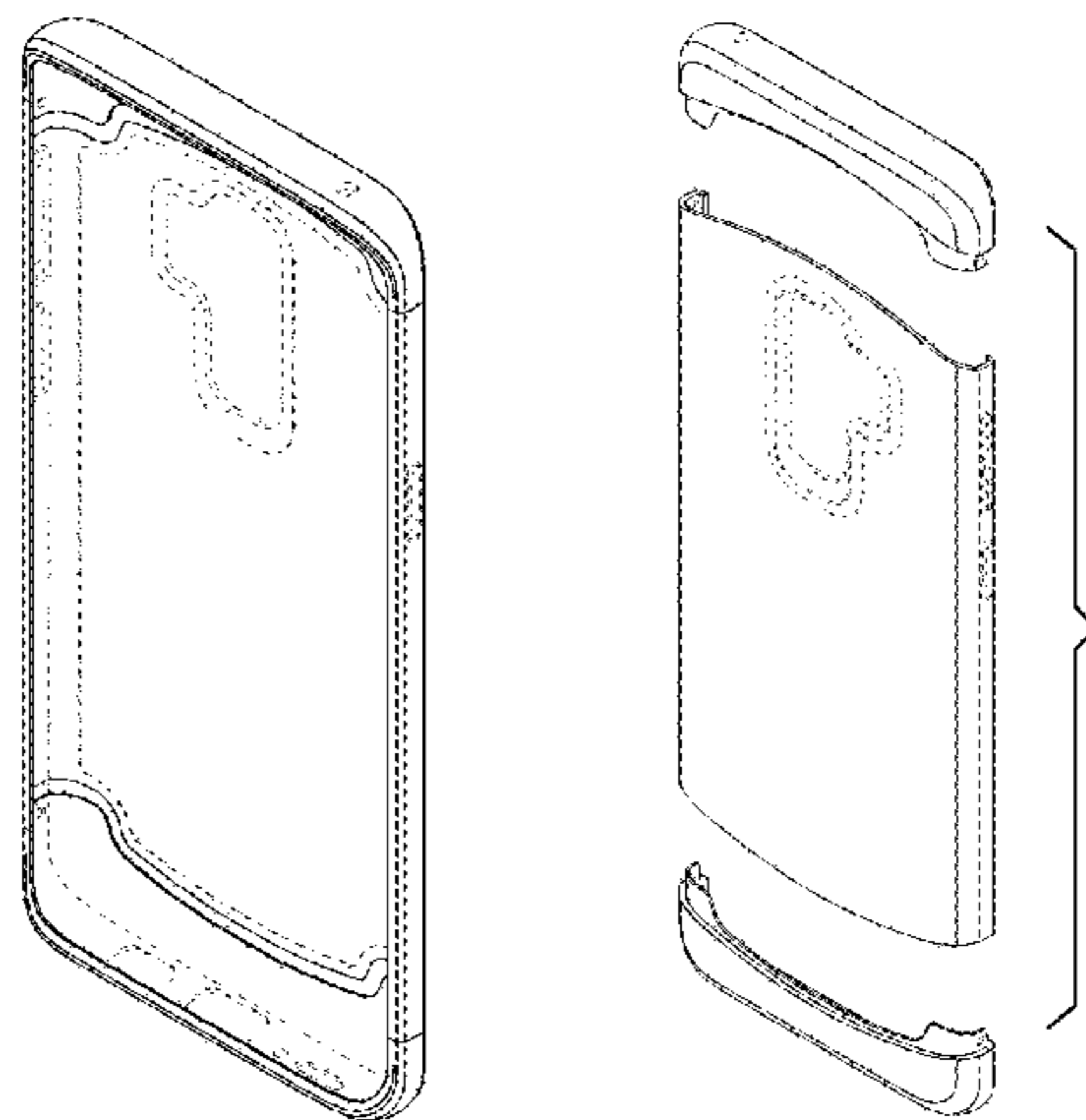
See application file for complete search history.

(56) **References Cited**

**U.S. PATENT DOCUMENTS**

D619,361 S 7/2010 Andre et al.  
D624,908 S \* 10/2010 Huskinson ..... D14/250  
D626,120 S \* 10/2010 Richardson ..... D14/250  
D626,121 S \* 10/2010 Richardson ..... D14/250  
D637,589 S 5/2011 Willes et al.  
D646,265 S 10/2011 Fathollahi  
D647,084 S \* 10/2011 Fathollahi ..... D14/250  
D650,371 S 12/2011 Wibby et al.  
D663,263 S 7/2012 Gupta et al.  
D676,432 S \* 2/2013 Hasbrook ..... D14/250  
D681,615 S 5/2013 Fathollahi

D682,196 S 5/2013 Leung  
8,504,127 B2 8/2013 Altschul et al.  
8,517,172 B1 8/2013 Chang  
D692,419 S \* 10/2013 Rayner ..... D14/250  
D694,225 S 11/2013 Yu-Guen  
D696,654 S 12/2013 Lee  
D697,905 S \* 1/2014 Chang ..... D14/250  
D698,774 S \* 2/2014 Wardy ..... D14/250  
8,726,952 B2 5/2014 Jambunathan et al.  
D707,965 S 7/2014 Requa  
D709,871 S \* 7/2014 Lee ..... D14/250  
D716,045 S 10/2014 Requa  
D721,694 S 1/2015 Lee et al.  
8,971,975 B2 3/2015 Ramies et al.  
D727,883 S \* 4/2015 Brand ..... D14/250  
D731,481 S 6/2015 Akana et al.  
9,049,283 B1 6/2015 Kim  
D733,693 S 7/2015 Wang et al.  
D740,794 S 10/2015 Choi et al.  
D741,845 S 10/2015 Kim  
D743,931 S 11/2015 Hubbard et al.  
D746,275 S 12/2015 Mohammad  
D746,805 S 1/2016 Kim  
9,241,551 B2 1/2016 Lawson et al.  
D749,068 S 2/2016 Zaborski et al.  
D749,557 S 2/2016 Feng  
D753,099 S 4/2016 Kim  
D756,911 S 5/2016 Gupta et al.  
D759,966 S 6/2016 Pignotti  
D761,239 S 7/2016 Kim  
D763,842 S 8/2016 Chang et al.  
D765,628 S 9/2016 Watt et al.  
D765,635 S 9/2016 Chang et al.  
D765,638 S 9/2016 Gaylord et al.  
D765,640 S 9/2016 Bulkley et al.  
D765,641 S 9/2016 Bulkley et al.  
D770,435 S \* 11/2016 Daniel ..... D14/250  
D777,155 S \* 1/2017 Kim ..... D14/250  
D780,164 S 2/2017 Lee  
D781,835 S 3/2017 Kim et al.  
D782,456 S 3/2017 Park et al.  
D783,602 S 4/2017 Akana et al.  
D786,846 S 5/2017 Kim et al.  
D786,849 S 5/2017 Park et al.  
D786,851 S \* 5/2017 Kim ..... D14/250  
D786,854 S \* 5/2017 Kim ..... D14/250  
D787,492 S \* 5/2017 Kim ..... D14/250  
D788,089 S 5/2017 Park et al.  
D788,093 S 5/2017 Lee et al.  
D788,757 S \* 6/2017 Kim ..... D14/250  
D789,344 S \* 6/2017 Kim ..... D14/250  
D792,394 S 7/2017 Lee et al.  
D794,624 S \* 8/2017 Fernandes ..... D14/250





D797,090 S	9/2017	Lee et al.	
D797,093 S *	9/2017	To .....	D14/250
D798,286 S	9/2017	Roberts et al.	
D798,853 S	10/2017	Park et al.	
D800,714 S	10/2017	Lee et al.	
D801,322 S	10/2017	Song et al.	
D801,323 S	10/2017	Kim	
D803,206 S *	11/2017	Kim .....	D14/250
D805,505 S	12/2017	Wang et al.	
D806,063 S *	12/2017	Kim .....	D14/250
D808,955 S	1/2018	Park et al.	
D810,726 S	2/2018	Chou et al.	
2016/0374443 A1 *	12/2016	Kim .....	A45C 11/182 206/38

OTHER PUBLICATIONS

“Spigen Slim Armor View Galaxy S4 Case with Automatic Sleep / Wake Feature for Galaxy S4 2013—Soul Black”, <https://www.amazon.com/Spigen-Armor-Galaxy-Automatic-Feature/dp/B00DCCVS5Y>, Earliest review date of Mar. 18, 2013, Downloaded on Feb. 19, 2019.

“Spigen Tough Armor Galaxy S5 Case with Extreme Heavy Duty Protection and Air Cushion Technology for Samsung Galaxy S5 2014—Gunmetal”, <https://www.amazon.com/Spigen-Extreme-Protection-Cushion-Technology/dp/B00I3UWDV8>, Earliest review date of Mar. 9, 2014, Downloaded on Aug. 9, 2018.

“Spigen Slim Armor Galaxy S5 Case with Air Cushion Technology and Hybrid Drop Protection for Samsung Galaxy S5 2014—Metal Slate”, <https://www.amazon.com/dp/B00I3UWD7C>, Earliest review date of Apr. 11, 2014, Downloaded on Sep. 18, 2018.

“Spigen Tough Armor Galaxy S6 Edge Case with Reinforced Kickstand and Heavy Duty Protection and Air Cushion Technology for Samsung Galaxy S6 Edge (2015)—Gunmetal”, <https://www.amazon.com/Spigen-Reinforced-Kickstand-Protection-Technology/dp/B00SV63L38>, Earliest review date of Mar. 12, 2015, Downloaded on Aug. 9, 2018.

“Spigen Slim Armor Galaxy S6 Case with Air Cushion Technology and Kickstand for Samsung Galaxy S6 2015—Shimmery White”, <https://www.amazon.com/dp/B00QU4NQMY>, Earliest review date of Mar. 21, 2015, Downloaded on Sep. 18, 2018.

“Spigen Tough Armor Galaxy S6 Case with Reinforced Kickstand and Heavy Duty Protection and Air Cushion Technology for Samsung Galaxy S6 (2015)—Gunmetal”, <https://www.amazon.com/Spigen-Reinforced-Kickstand-Protection-Technology/dp/B00QU4PUKK>, Earliest review date of Mar. 23, 2015, Downloaded on Aug. 9, 2018.

“Spigen Slim Armor Galaxy S6 Edge Case with Air Cushion Technology and Hybrid Drop Protection for Galaxy S6 Edge 2015—Gunmetal”, <https://www.amazon.com/dp/B00SV638ZE>, Earliest review date of Apr. 3, 2015, Downloaded on Sep. 18, 2018.

“Spigen Slim Armor Galaxy Note 5 Case with Air Cushion Technology and Hybrid Drop Protection for Galaxy Note 5 2015—Metal Slate”, <https://www.amazon.com/dp/B010MWHIKA>, Earliest review date of Aug. 21, 2015, Downloaded on Jul. 18, 2018.

Korguenkomodo, “Slim Armor case—Galaxy S6 Edge Plus”, [https://www.youtube.com/watch?v=hrEnHS\\_S1i4](https://www.youtube.com/watch?v=hrEnHS_S1i4), Published on Oct. 12, 2015, Downloaded on Mar. 19, 2019.

“Spigen Tough Armor Galaxy S7 Edge Case with Kickstand and Extreme Heavy Duty Protection and Air Cushion Technology for Samsung Galaxy S7 Edge 2016—Gunmetal”, <https://www.amazon.com/Spigen-Kickstand-Extreme-Protection-Technology/dp/B01A7IDNWQ>, Earliest review date of Feb. 24, 2016, Downloaded on Aug. 9, 2018.

“Spigen Tough Armor Galaxy S7 Case with Extreme Heavy Duty Protection and Air Cushion Technology for Samsung Galaxy S7 2016—Gunmetal”, <https://www.amazon.com/Spigen-Extreme-Protection-Cushion-Technology/dp/B01A7ID3PS>, Earliest review date of Feb. 25, 2016, Downloaded on Aug. 9, 2018.

“Spigen Slim Armor Galaxy S7 Edge Case with Kickstand and Air Cushion Technology and Hybrid Drop Protection for Samsung Galaxy S7 Edge 2016—Champagne Gold”, <https://www.amazon.com/dp/B01BEBBWY6>, Earliest review date of Feb. 26, 2016, Downloaded on Sep. 18, 2018.

“Spigen Slim Armor Galaxy S7 Case with Kickstand and Air Cushion Technology and Hybrid Drop Protection for Samsung Galaxy S7 2016—Violet”, <https://www.amazon.com/dp/B01AUR1D8K>, Earliest review date of Mar. 2, 2016, Downloaded on Sep. 18, 2018.

\* cited by examiner

Primary Examiner — Susan E Krakower

Assistant Examiner — L. A. Grabenstetter

(74) Attorney, Agent, or Firm — Heedong Chae; Lucem, PC

(57) CLAIM

The ornamental design for a case for electronic devices, as shown and described.

DESCRIPTION

FIG. 1 is a front perspective view of a case for electronic devices, comprised of an upper cover, a middle cover and a bottom cover, showing my new design;

FIG. 2 is a rear perspective view thereof;

FIG. 3 is a front elevational view thereof;

FIG. 4 is a rear elevational view thereof;

FIG. 5 is a left side elevational view thereof;

FIG. 6 is a right side elevational view thereof;

FIG. 7 is an enlarged top plan view thereof;

FIG. 8 is an enlarged bottom plan view thereof;

FIG. 9 is an enlarged front perspective view of the upper cover of the case, shown isolated from the case for clarity of disclosure;

FIG. 10 is an enlarged rear perspective view of the upper cover of the case, shown isolated from the case for clarity of disclosure;

FIG. 11 is a front perspective view of the middle cover of the case, shown isolated from the case for clarity of disclosure;

FIG. 12 is a rear perspective view of the middle cover of the case, shown isolated from the case for clarity of disclosure;

FIG. 13 is a front perspective view of the bottom cover of the case, shown isolated from the case for clarity of disclosure;

FIG. 14 is a rear perspective view of the bottom cover of the case, shown isolated from the case for clarity of disclosure;

FIG. 15 is a front exploded perspective view thereof; and,

FIG. 16 is a rear exploded perspective view thereof.

Although the case for electronic devices, in which the claimed design is embodied, consists of an upper, middle, and bottom cover, the claim is directed to the ornamental appearance of the case for electronic device in its entirety and does not extend to each of the individual components in isolation.

The broken lines, and unshaded regions bounded by broken lines, depict portions of the case for electronic devices that form no part of the claimed design.

1 Claim, 16 Drawing Sheets

FIG. 1

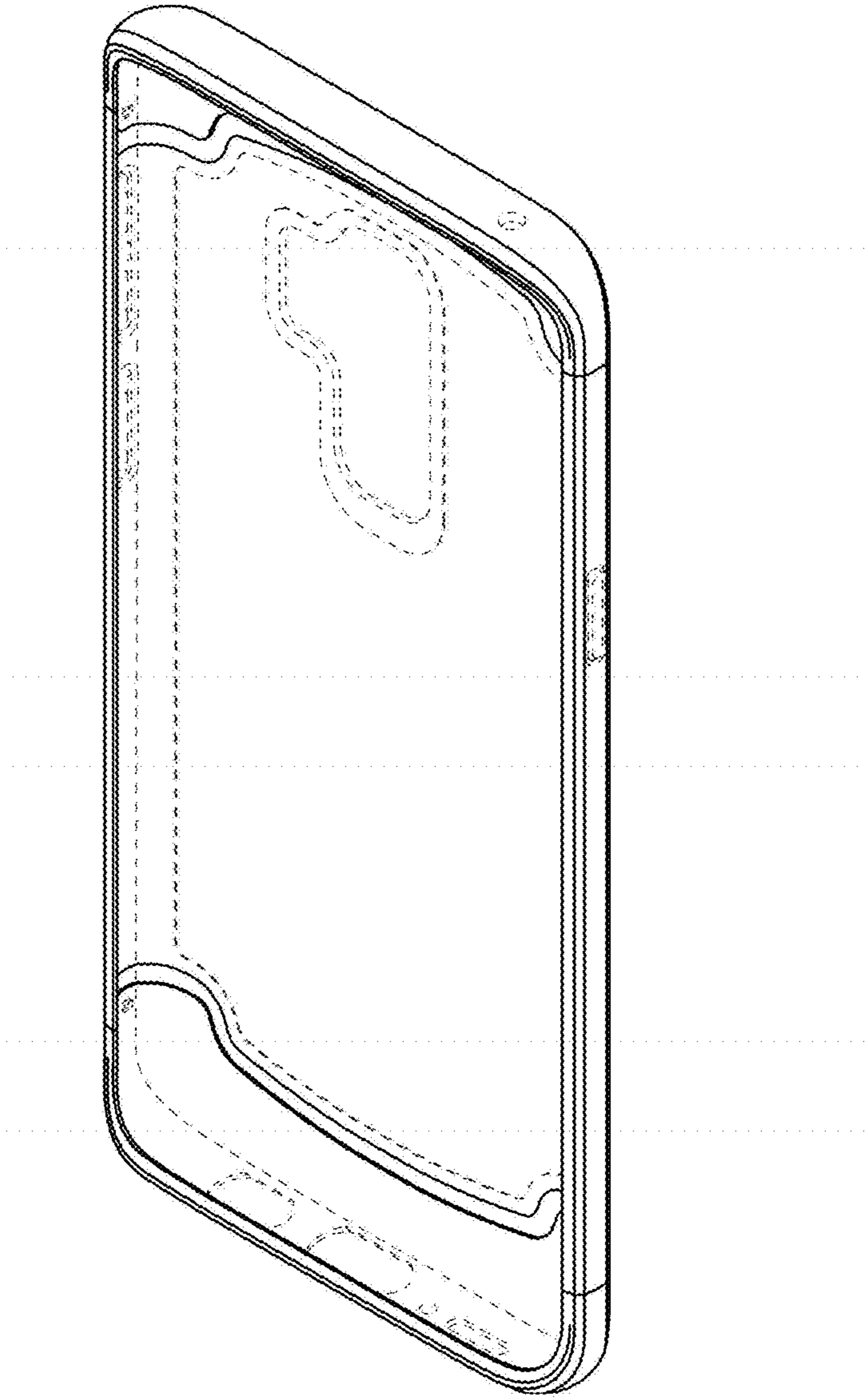


FIG. 2

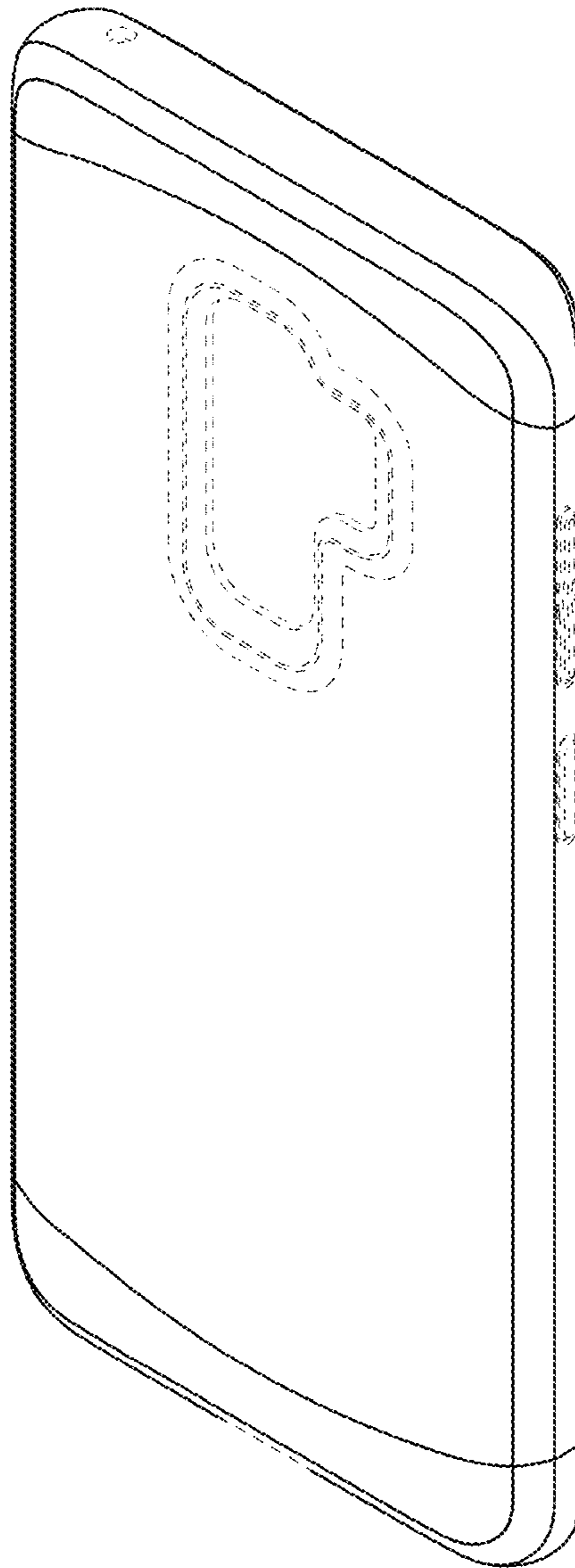




FIG. 3

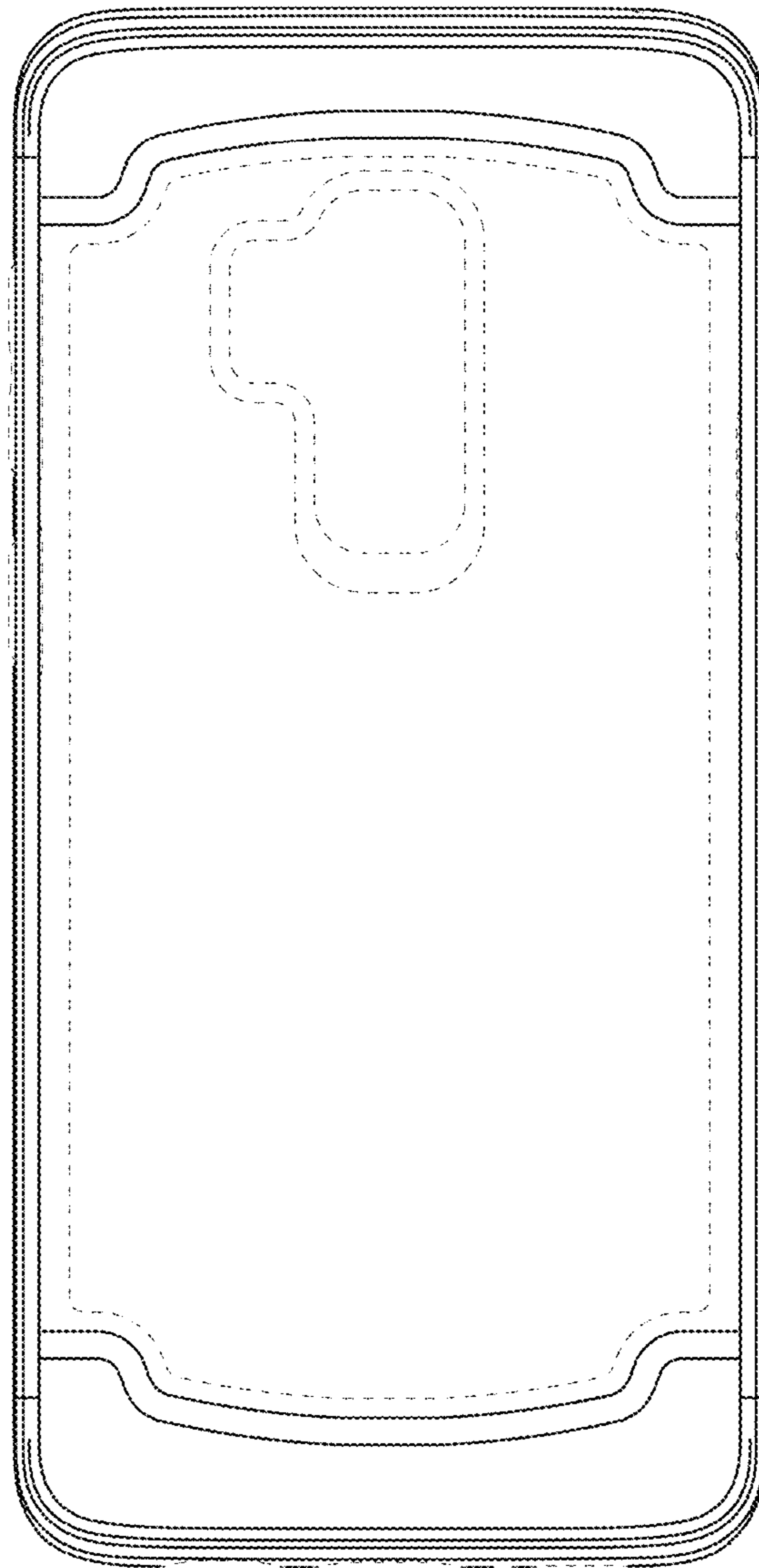


FIG. 4

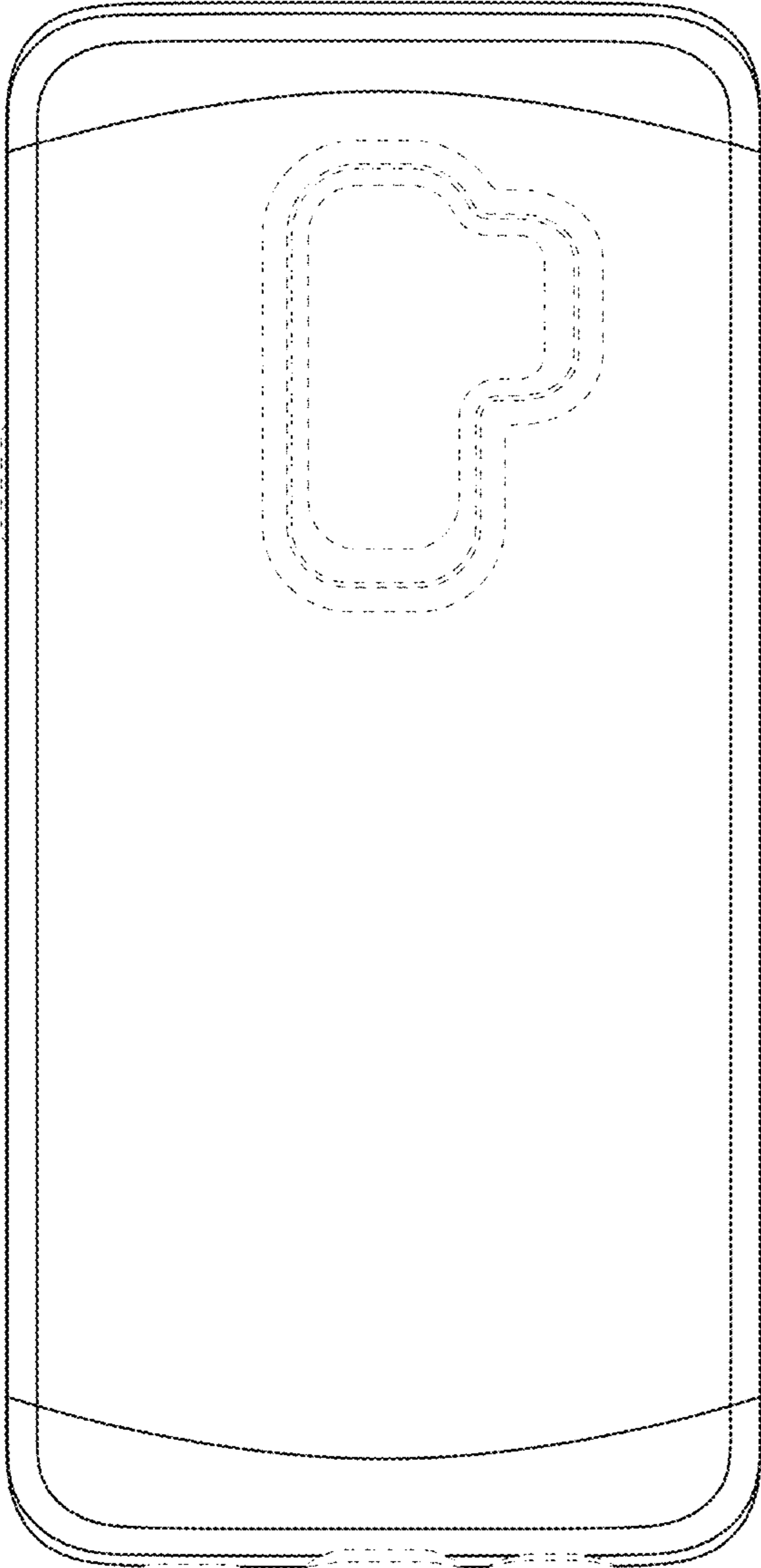


FIG. 5

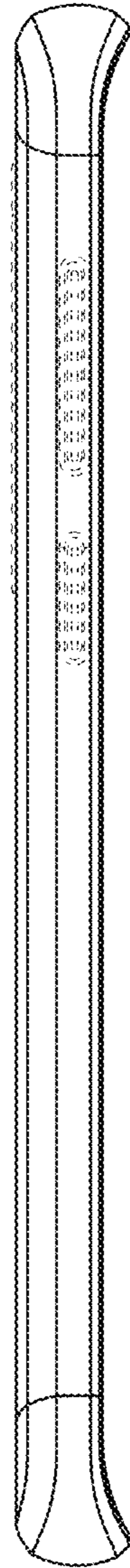


FIG. 6

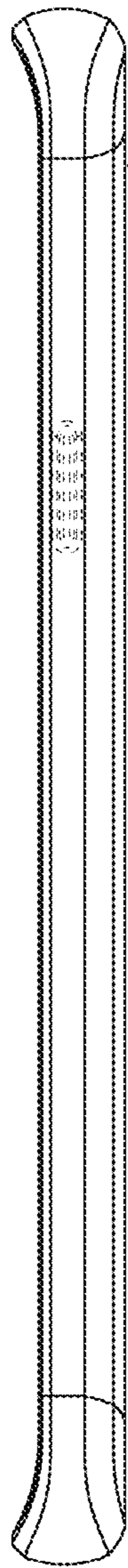




FIG. 7

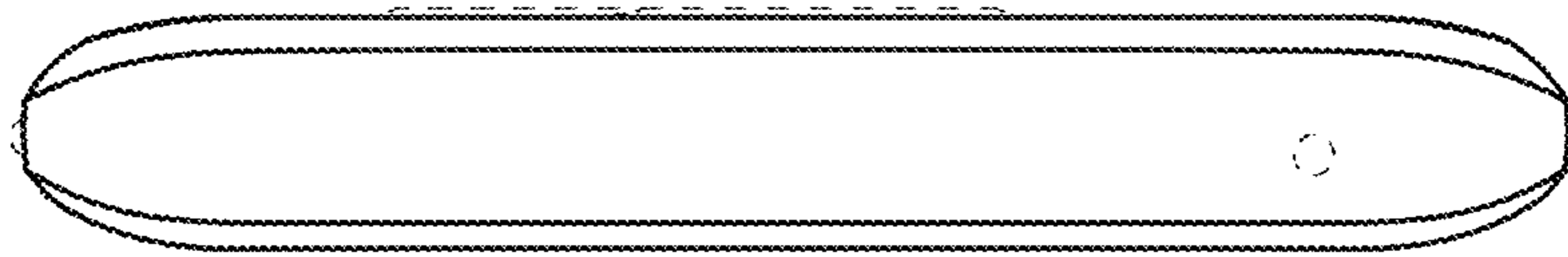


FIG. 8

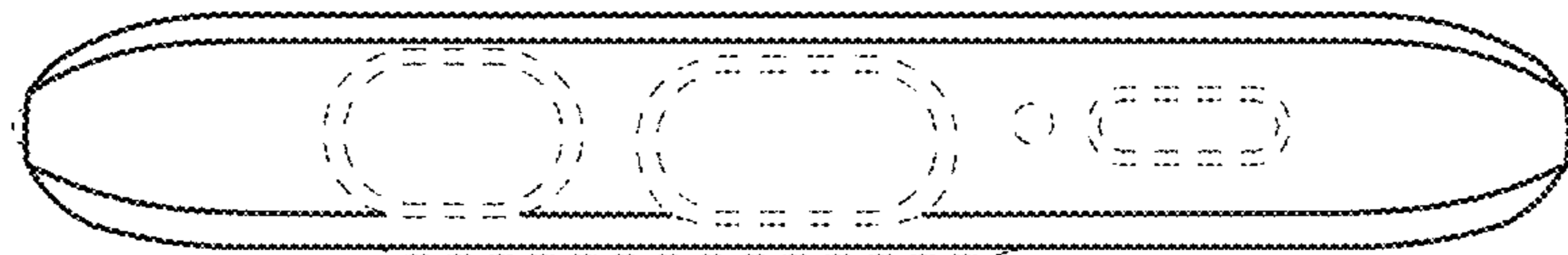


FIG. 9

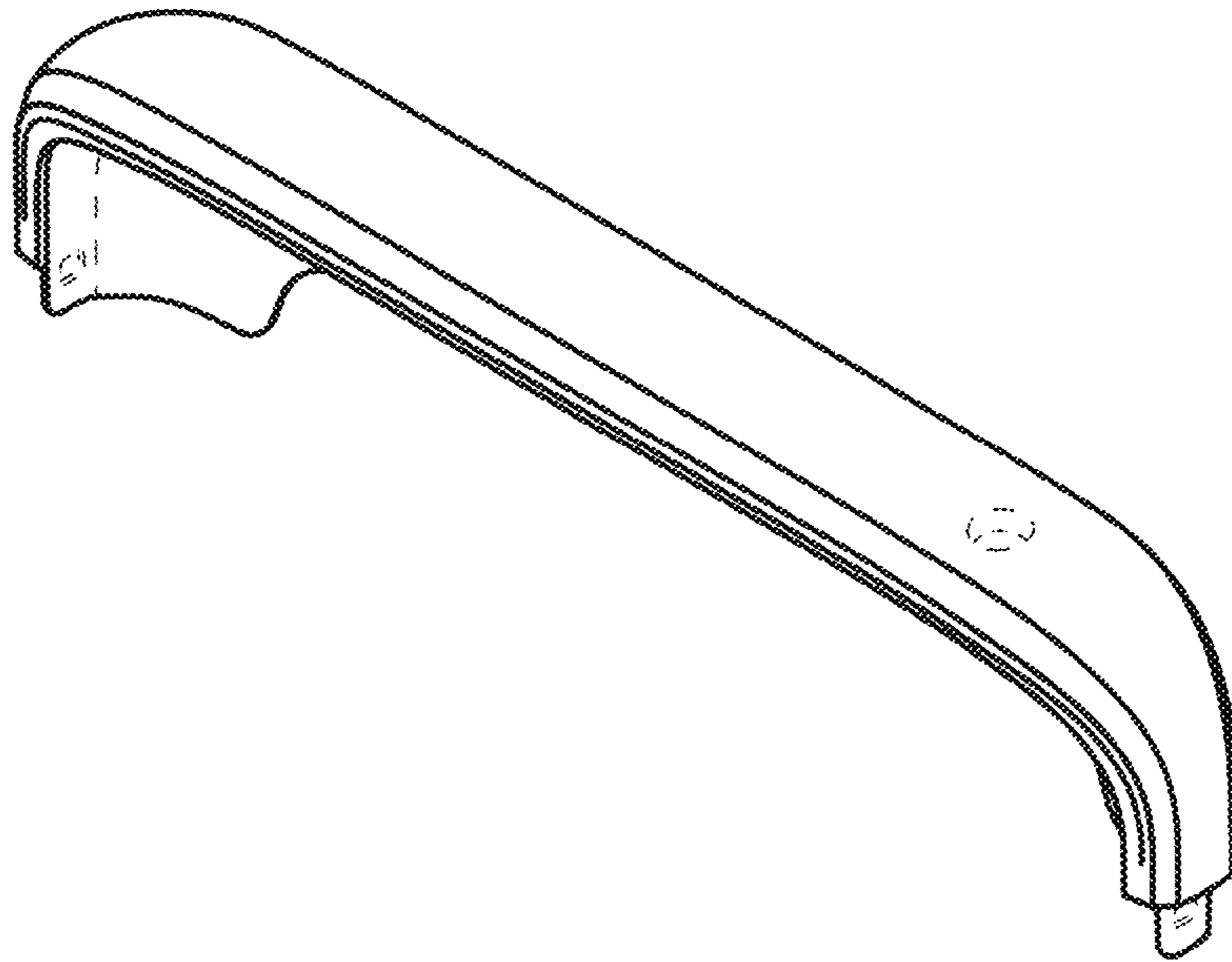


FIG. 10

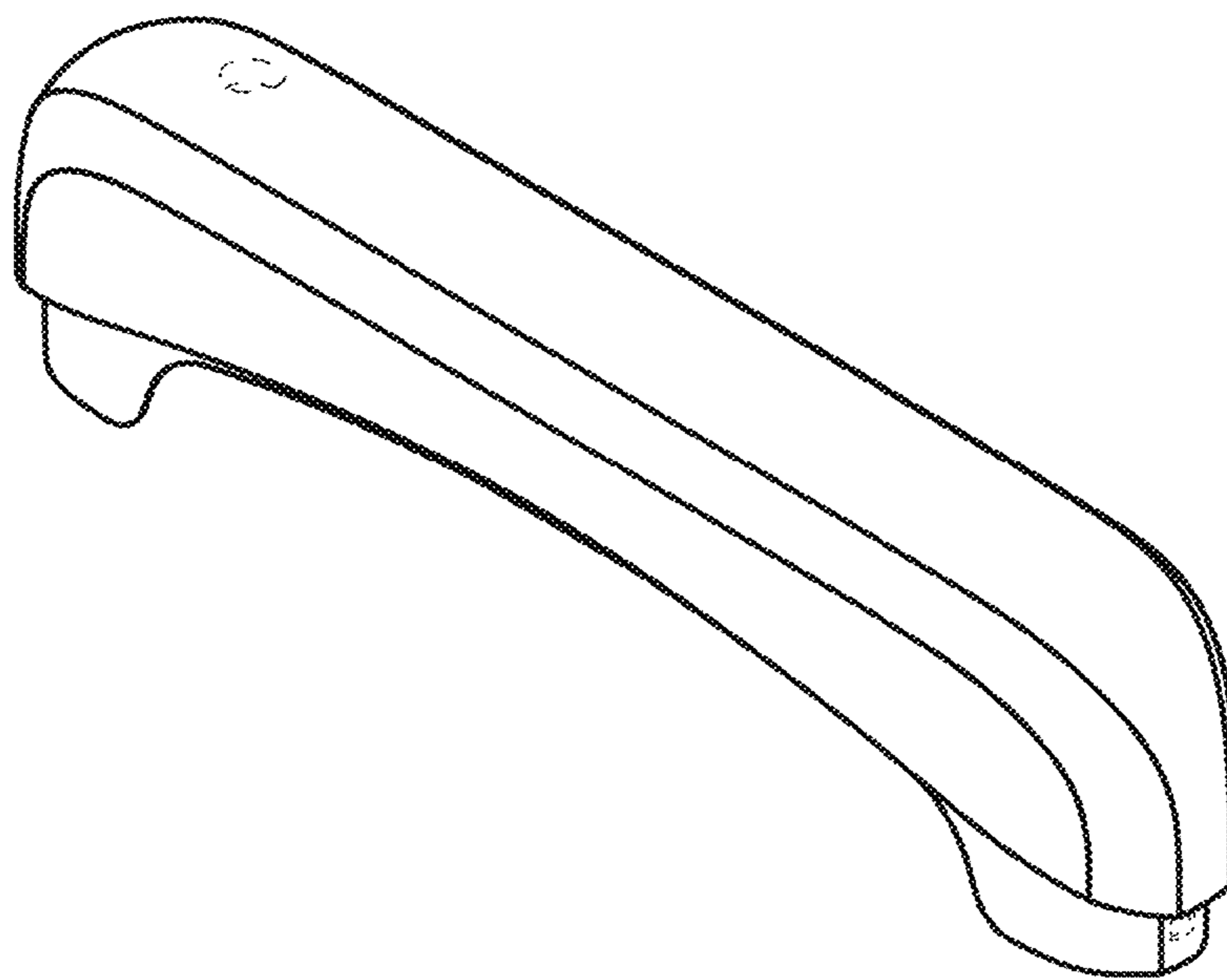




FIG. 11

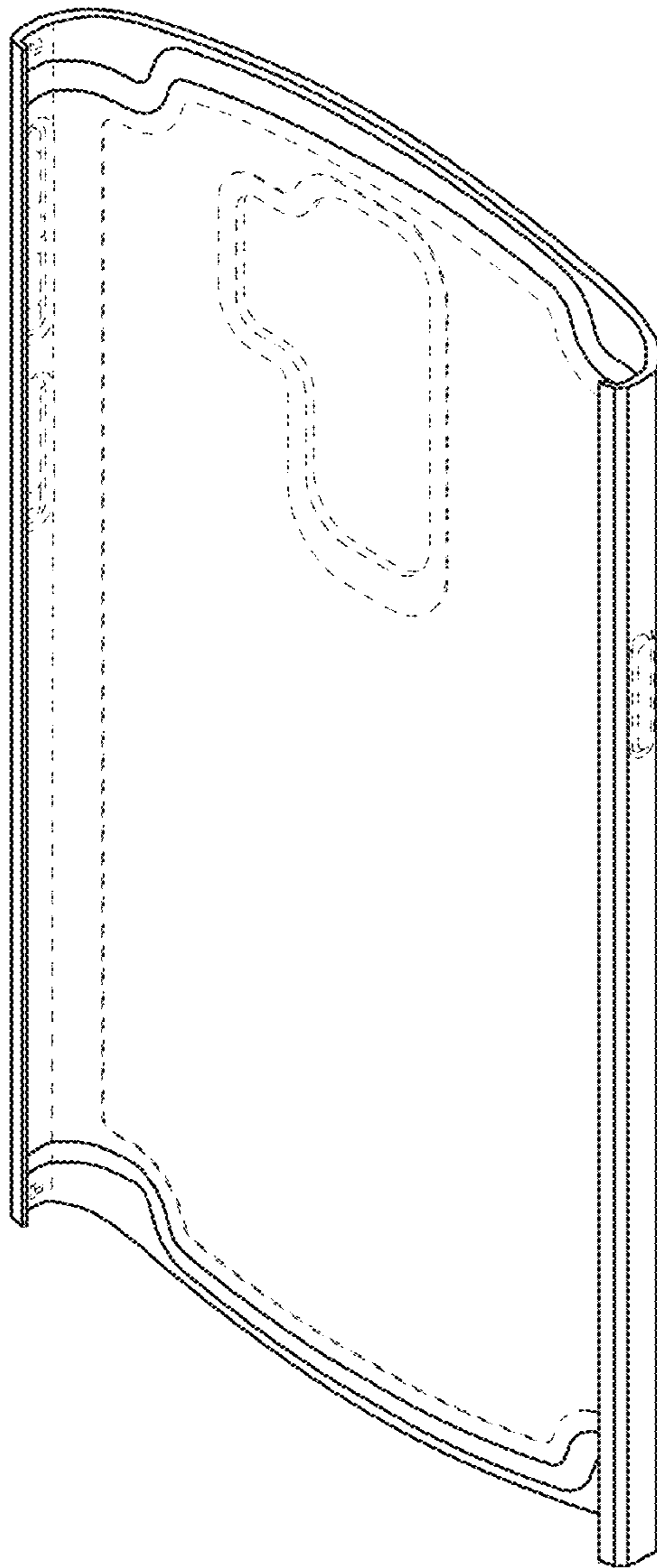


FIG. 12

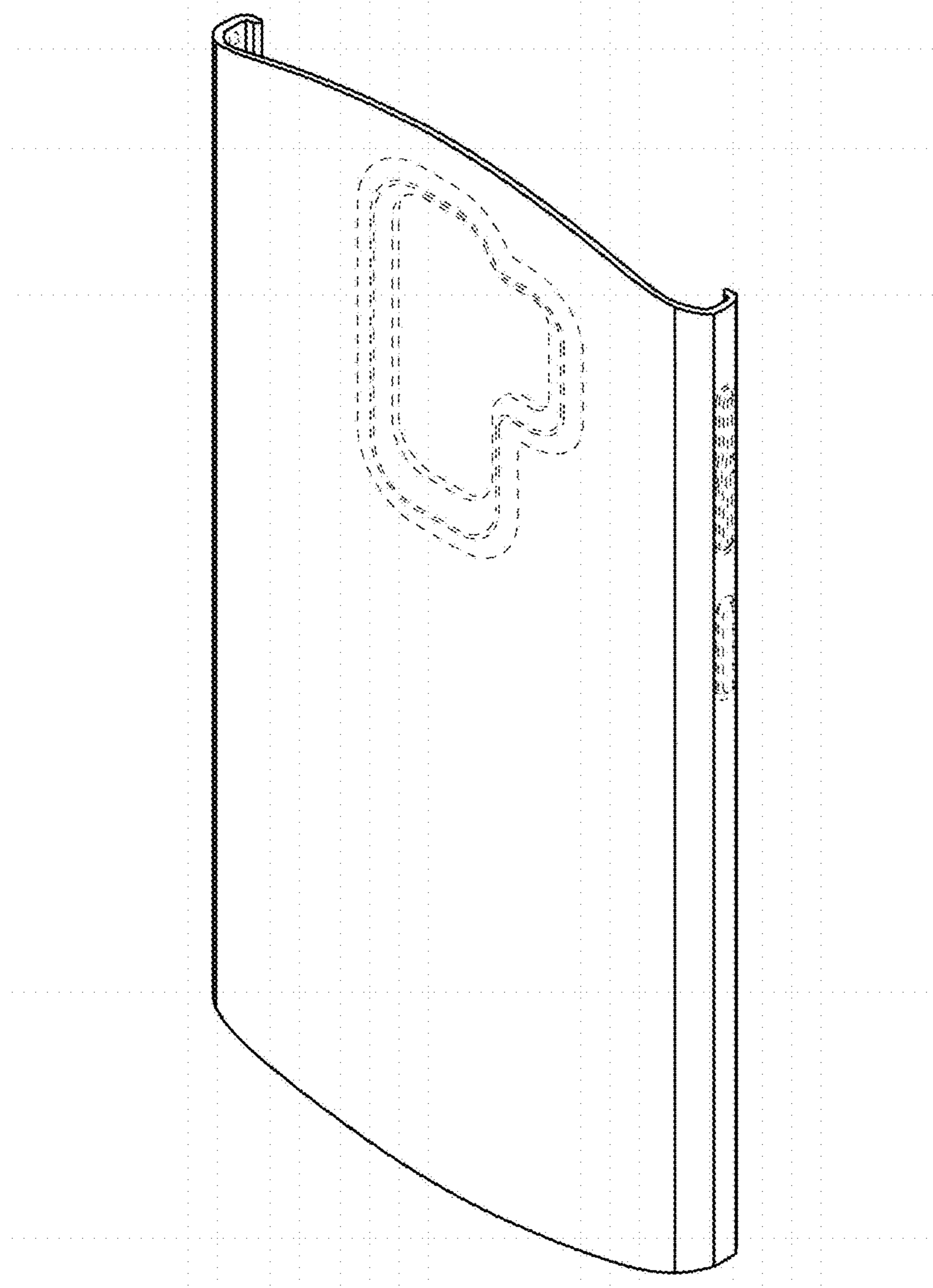


FIG. 13

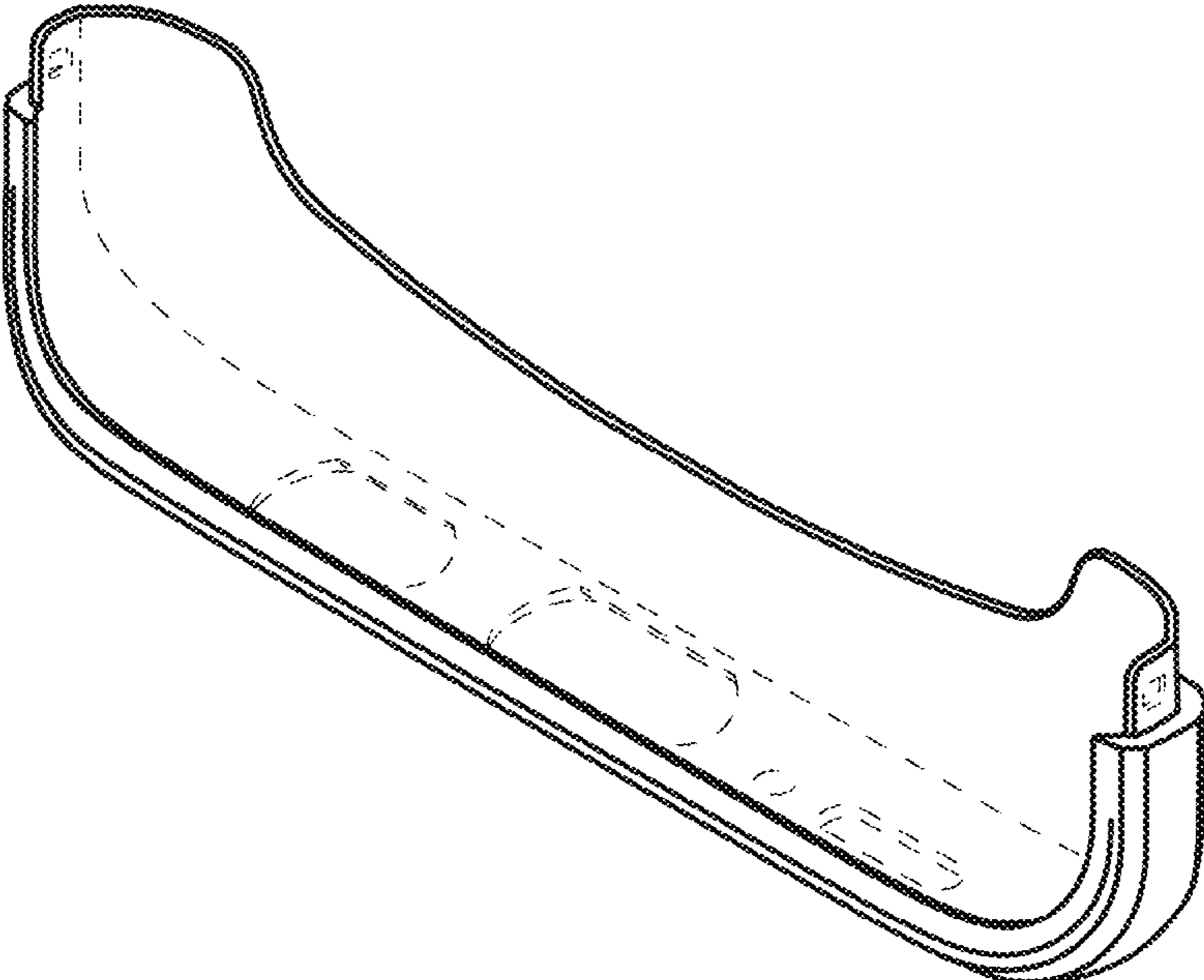


FIG. 14

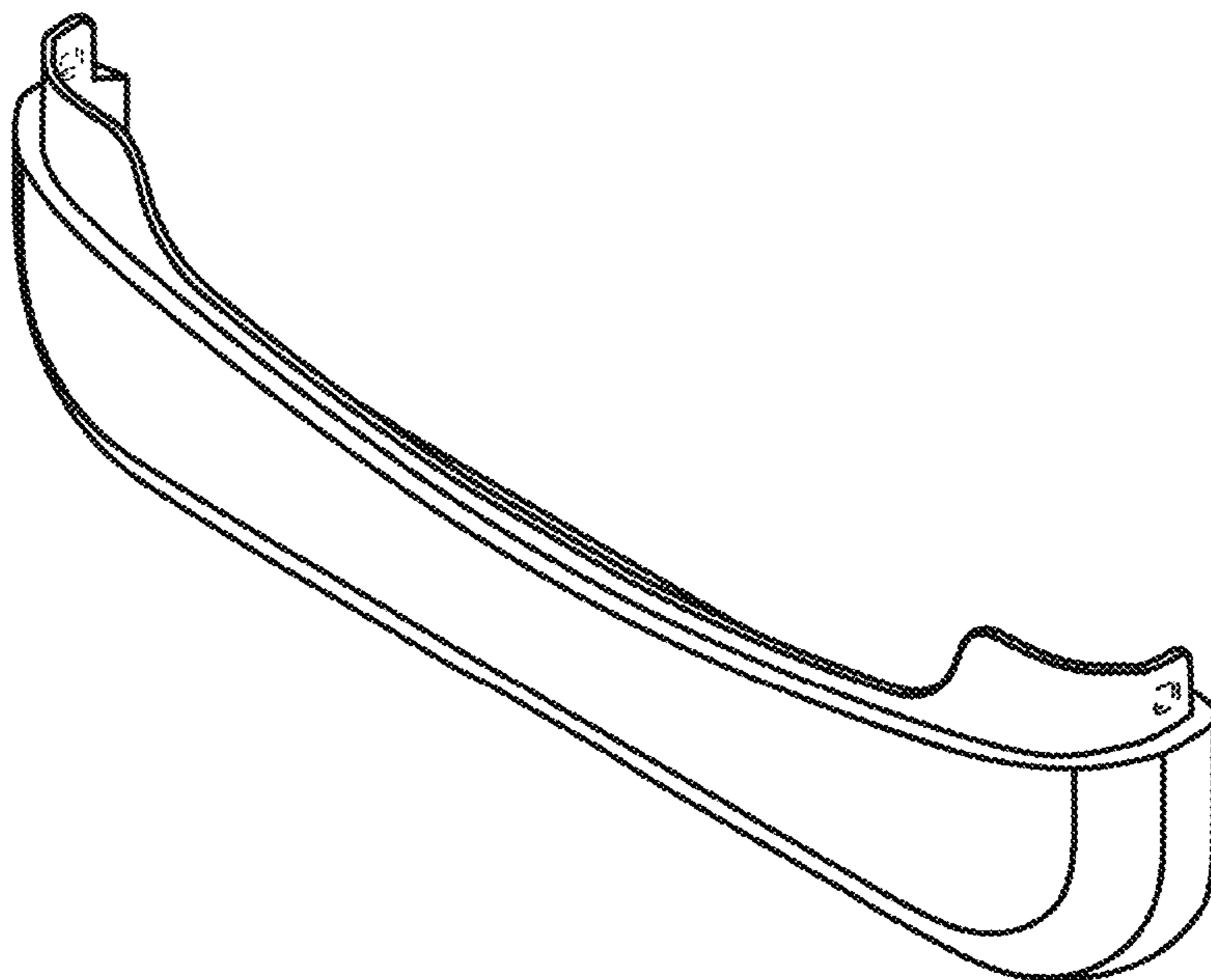




FIG. 15

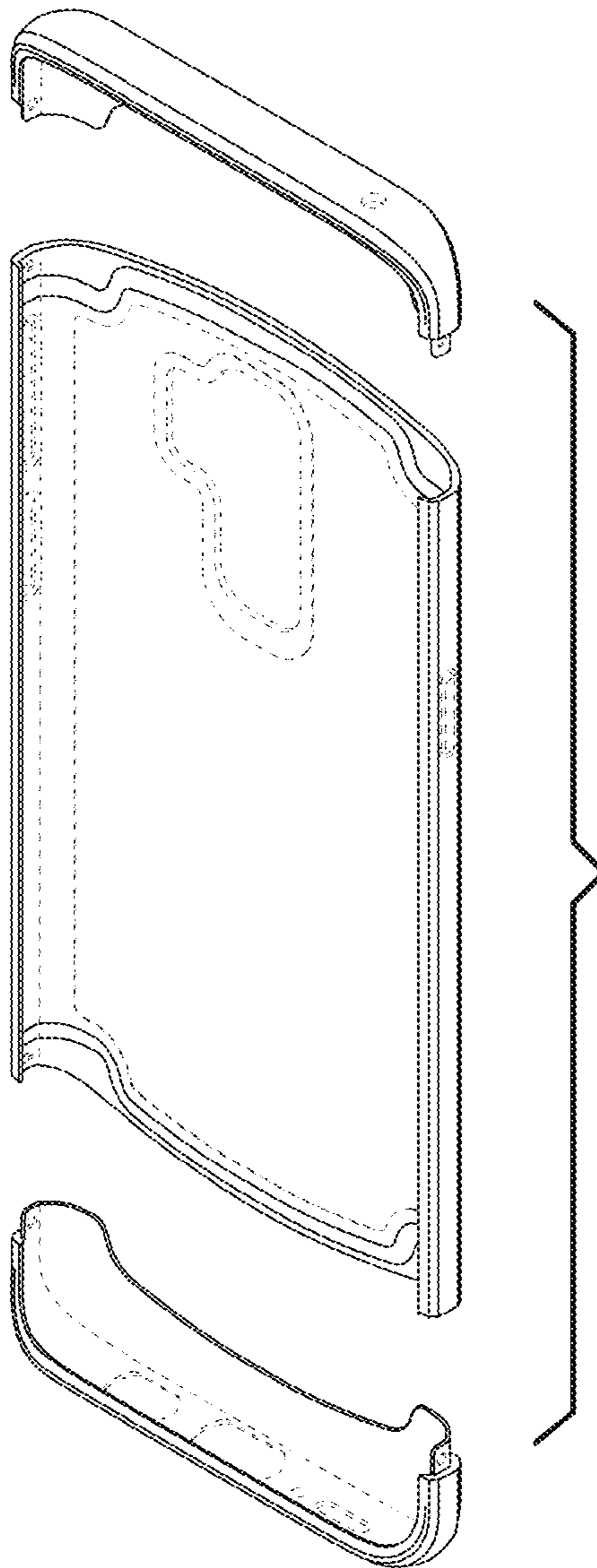


FIG. 16

