



US00D863271S

(12) **United States Design Patent**  
**Zhang**

(10) **Patent No.:** **US D863,271 S**  
(45) **Date of Patent:** **\*\* Oct. 15, 2019**

(54) **ANTENNA**

(71) Applicant: **Yi Zhang**, Beijing (CN)

(72) Inventor: **Yi Zhang**, Beijing (CN)

(\*\*) Term: **15 Years**

(21) Appl. No.: **29/621,069**

(22) Filed: **Oct. 4, 2017**

(30) **Foreign Application Priority Data**

Apr. 11, 2017 (CN) ..... 2017 1 0233627

Aug. 14, 2017 (CN) ..... 2017 1 0691685

(51) **LOC (12) Cl.** ..... **14-03**

(52) **U.S. Cl.**  
USPC ..... **D14/234**

(58) **Field of Classification Search**  
USPC ..... D14/230–238, 138, 172, 188, 203.1,  
D14/203.3, 203.6, 204, 216, 221, 238.1,  
(Continued)

(56) **References Cited**

**U.S. PATENT DOCUMENTS**

D226,686 S \* 4/1973 Floyd ..... D12/345

D310,224 S \* 8/1990 Cooper ..... D14/230

(Continued)

**OTHER PUBLICATIONS**

Taoglas, GW.11.A153W 2.4GHz White Dipole Antenna RP-SMA(M) Hinged, online, no post date, URL: <https://www.taoglas.com/product/gw-11-24ghz-white-dipole-antenna-rp-smam-hinged/>, retrieved Jul. 2, 2018.\*

*Primary Examiner* — Jeffrey D Asch

*Assistant Examiner* — Rebekah A Caruso

(74) *Attorney, Agent, or Firm* — Knobbe, Martens, Olson & Bear, LLP

(57) **CLAIM**

The ornamental design for an antenna, as shown and described.

**DESCRIPTION**

FIG. 1 is a perspective view of an antenna having an end piece, showing my new design, where the end piece is positioned in line with the remainder of the antenna.

FIG. 2 is a front elevational view thereof.

FIG. 3 is a rear elevational view thereof.

FIG. 4 is a right side elevational view thereof.

FIG. 5 is a left side elevational view thereof.

FIG. 6 is a top plan view thereof, shown enlarged at 4x magnification.

FIG. 7 is a bottom plan view thereof, shown enlarged at 4x magnification.

FIG. 8 is a perspective view of the antenna, where the end piece is positioned at a 90-degree angle with respect to the remainder of the antenna.

FIG. 9 is a front elevational view thereof.

FIG. 10 is a rear elevational view thereof.

FIG. 11 is a right side elevational view thereof.

FIG. 12 is a left side elevational view thereof.

FIG. 13 is a top plan view thereof, shown enlarged at 4x magnification.

FIG. 14 is a bottom plan view thereof, shown enlarged at 4x magnification.

FIG. 15 is a perspective view of the antenna, where the end piece is positioned at a 135-degree angle with respect to the remainder of the antenna.

FIG. 16 is a front elevational view thereof.

FIG. 17 is a rear elevational view thereof.

FIG. 18 is a right side elevational view thereof.

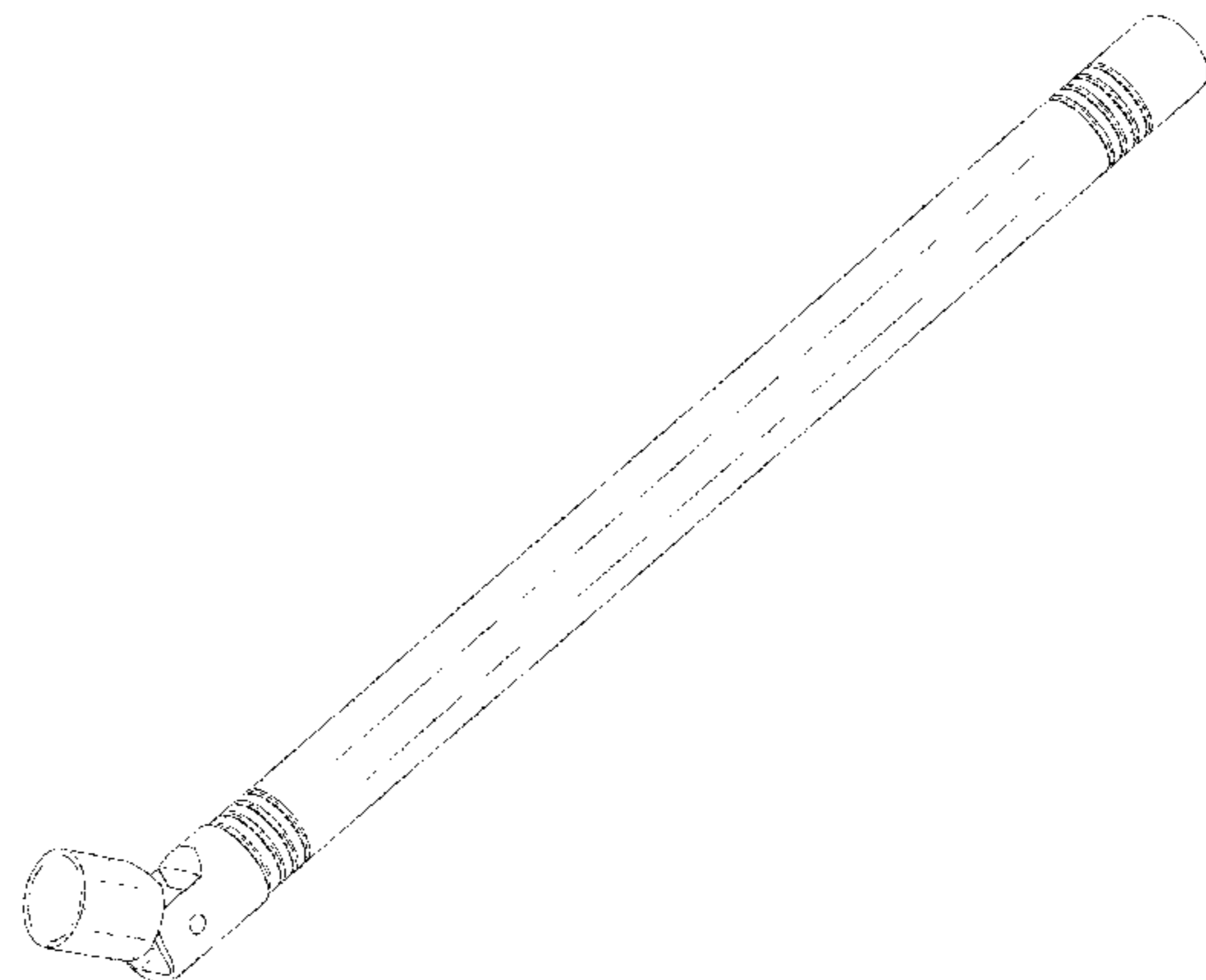
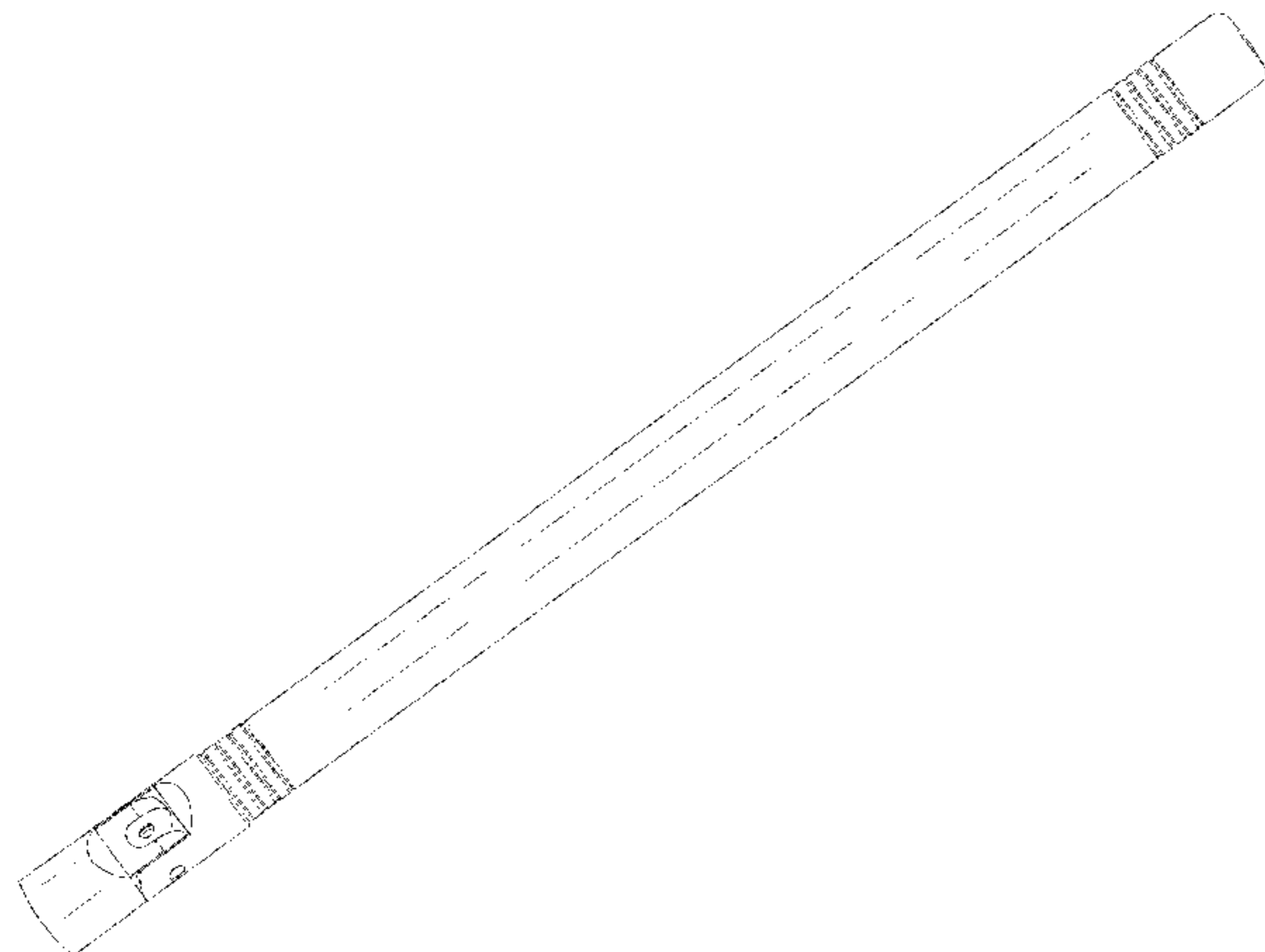
FIG. 19 is a left side elevational view thereof.

FIG. 20 is a top plan view thereof, shown enlarged at 4x magnification; and,

FIG. 21 is a bottom plan view thereof, shown enlarged at 4x magnification.

The broken dot-dash lines in the figures depict a boundary of the claim that forms no part of the claimed design.

**1 Claim, 18 Drawing Sheets**



(58) **Field of Classification Search**

USPC ..... D14/240, 242, 299, 314, 343, 356, 358,  
 D14/496, 509, 137, 155, 192, 248, 388,  
 D14/400, 401; D6/682; D10/49;  
 D12/174, 345; D21/566  
 CPC ..... H01Q 1/007; H01Q 1/084; H01Q 1/12;  
 H01Q 1/22; H01Q 1/38; H01Q 1/42;  
 H01Q 7/00; H01Q 9/40; H01Q 9/285;  
 H01Q 9/065; H01Q 9/44; H01Q 9/265;  
 H01Q 19/10; H01Q 19/106; H01Q 19/12;  
 H01Q 19/13; H01Q 19/15; H01Q 19/30;  
 H01Q 21/28; H01Q 21/06; H01Q 21/062;  
 H01Q 21/293; H01Q 23/00; G05D 1/02;  
 G05D 1/0234

See application file for complete search history.

(56) **References Cited**

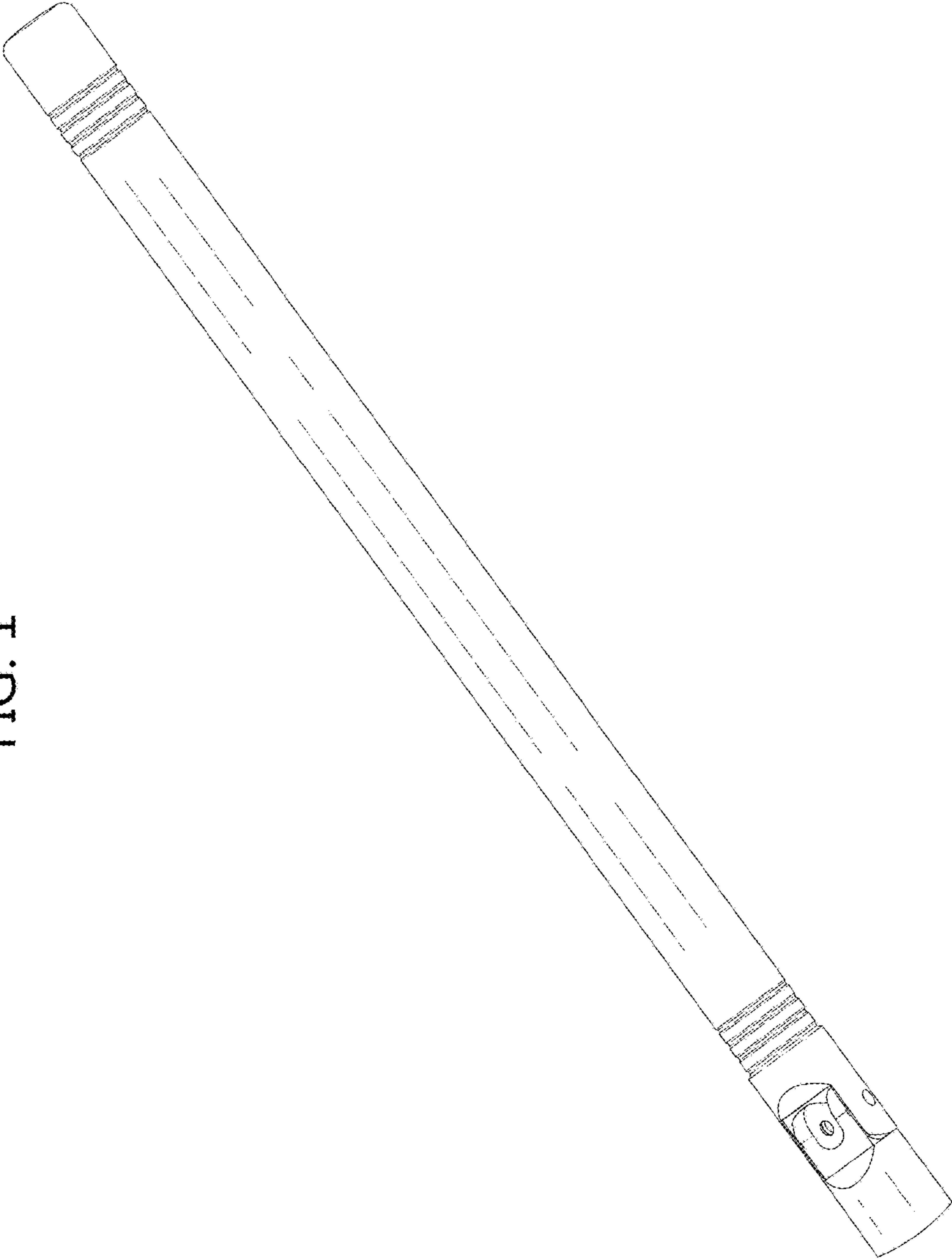
U.S. PATENT DOCUMENTS

D325,384 S \* 4/1992 Cooper ..... D14/234  
 D325,385 S \* 4/1992 Cooper ..... D14/234

D348,664 S \* 7/1994 Imazeki ..... D14/137  
 D352,706 S \* 11/1994 Hong ..... D14/137  
 D357,021 S \* 4/1995 Prince ..... D14/235  
 D367,480 S \* 2/1996 Bacnik ..... D14/230  
 5,617,105 A 4/1997 Tsunekawa et al.  
 D399,211 S \* 10/1998 Cockson ..... D14/233  
 D469,082 S \* 1/2003 Moles ..... D14/234  
 D472,892 S \* 4/2003 Tourres ..... D14/230  
 D491,926 S \* 6/2004 Tai ..... D14/230  
 D516,060 S \* 2/2006 Wu ..... D14/230  
 7,064,728 B1 6/2006 Lin et al.  
 D525,239 S \* 7/2006 Lai ..... D14/230  
 D525,967 S \* 8/2006 Hsiau ..... D14/230  
 D531,624 S \* 11/2006 Sun ..... D14/230  
 D580,419 S \* 11/2008 Wu ..... D14/230  
 D608,747 S \* 1/2010 Nakagawa ..... D14/137  
 D636,825 S \* 4/2011 Tanaka ..... D21/566  
 D664,451 S \* 7/2012 Jilderos ..... D10/49  
 D710,834 S \* 8/2014 Jeon ..... D14/230  
 D711,358 S \* 8/2014 Jeon ..... D14/230  
 D719,141 S \* 12/2014 Chou ..... D14/230  
 9,166,287 B2 \* 10/2015 Lin ..... H01Q 1/084  
 D751,054 S \* 3/2016 Chou ..... D14/230

\* cited by examiner

FIG. 1



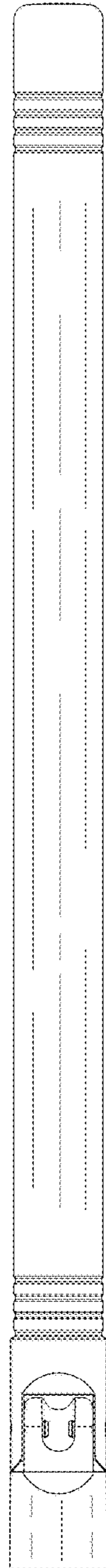


FIG. 2

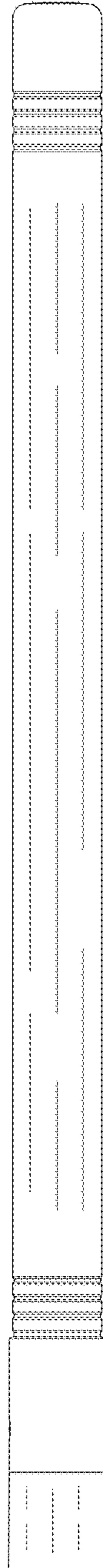


FIG. 3

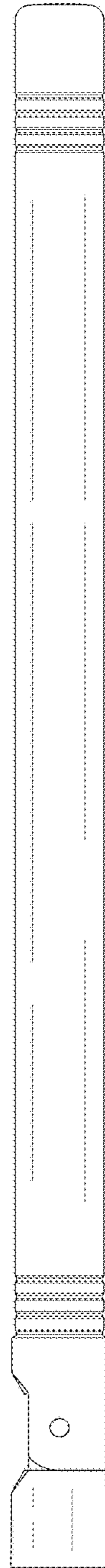


FIG. 4

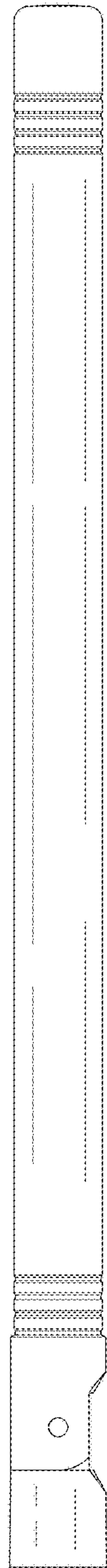


FIG. 5



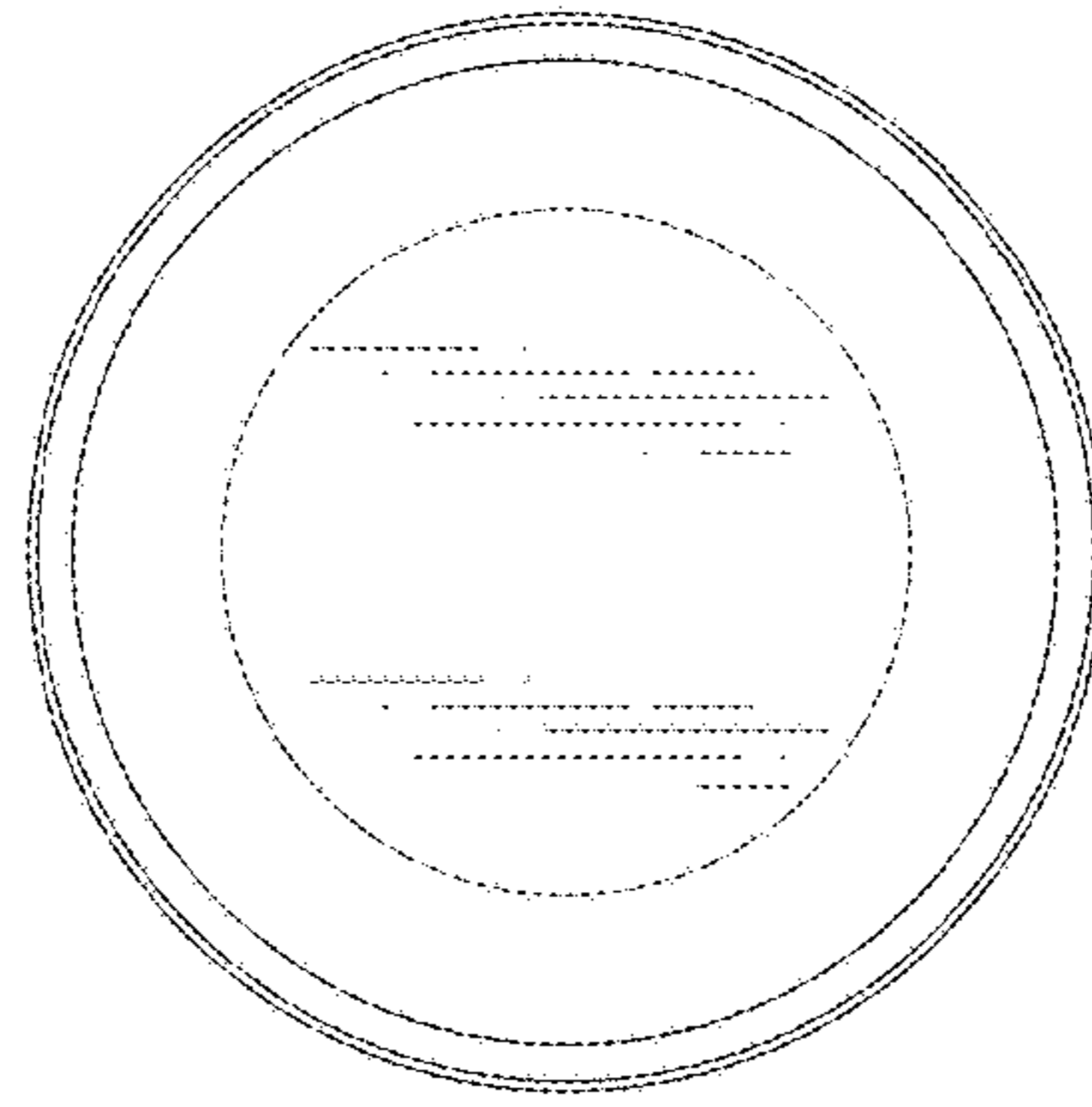


FIG. 6

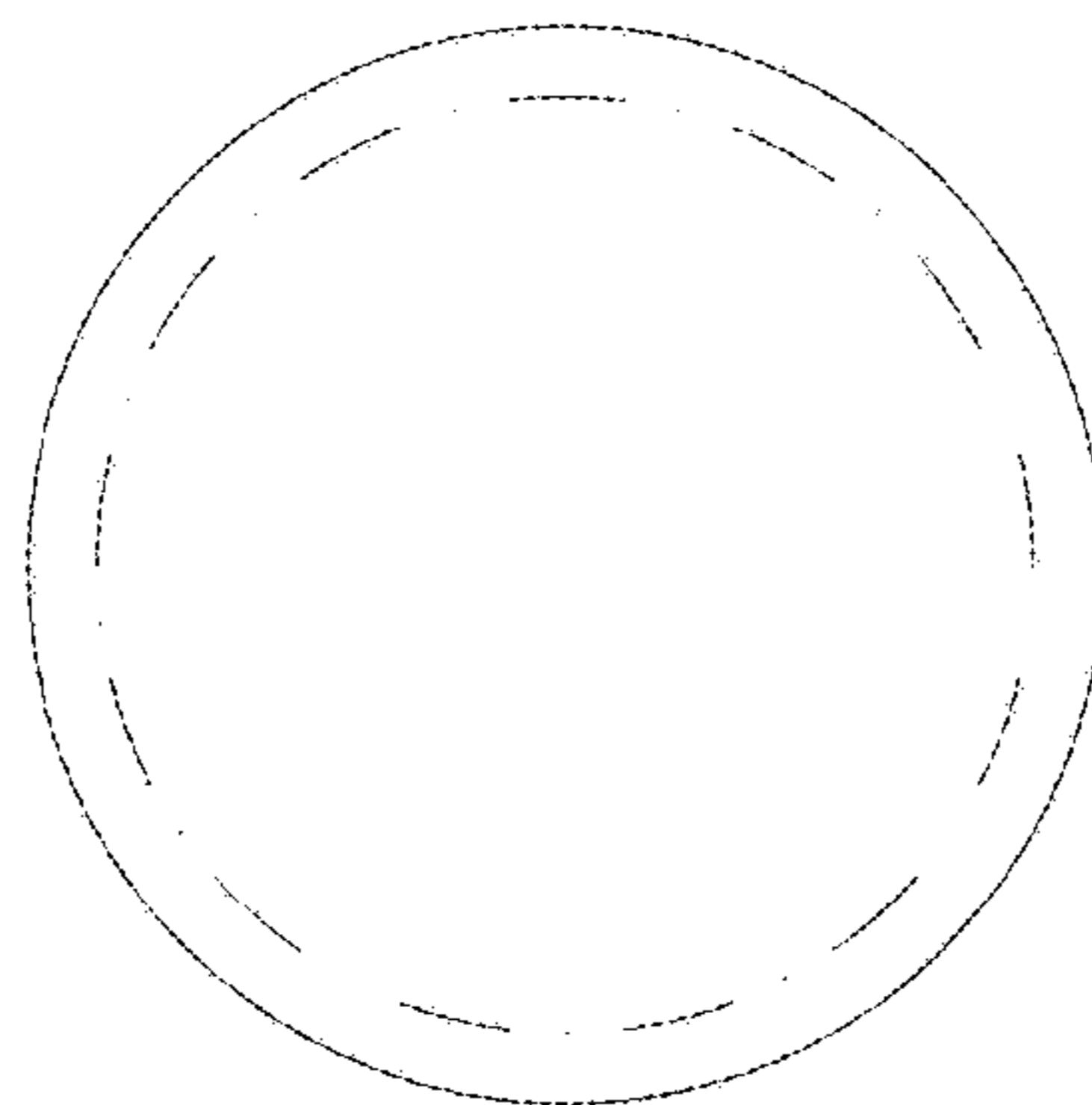
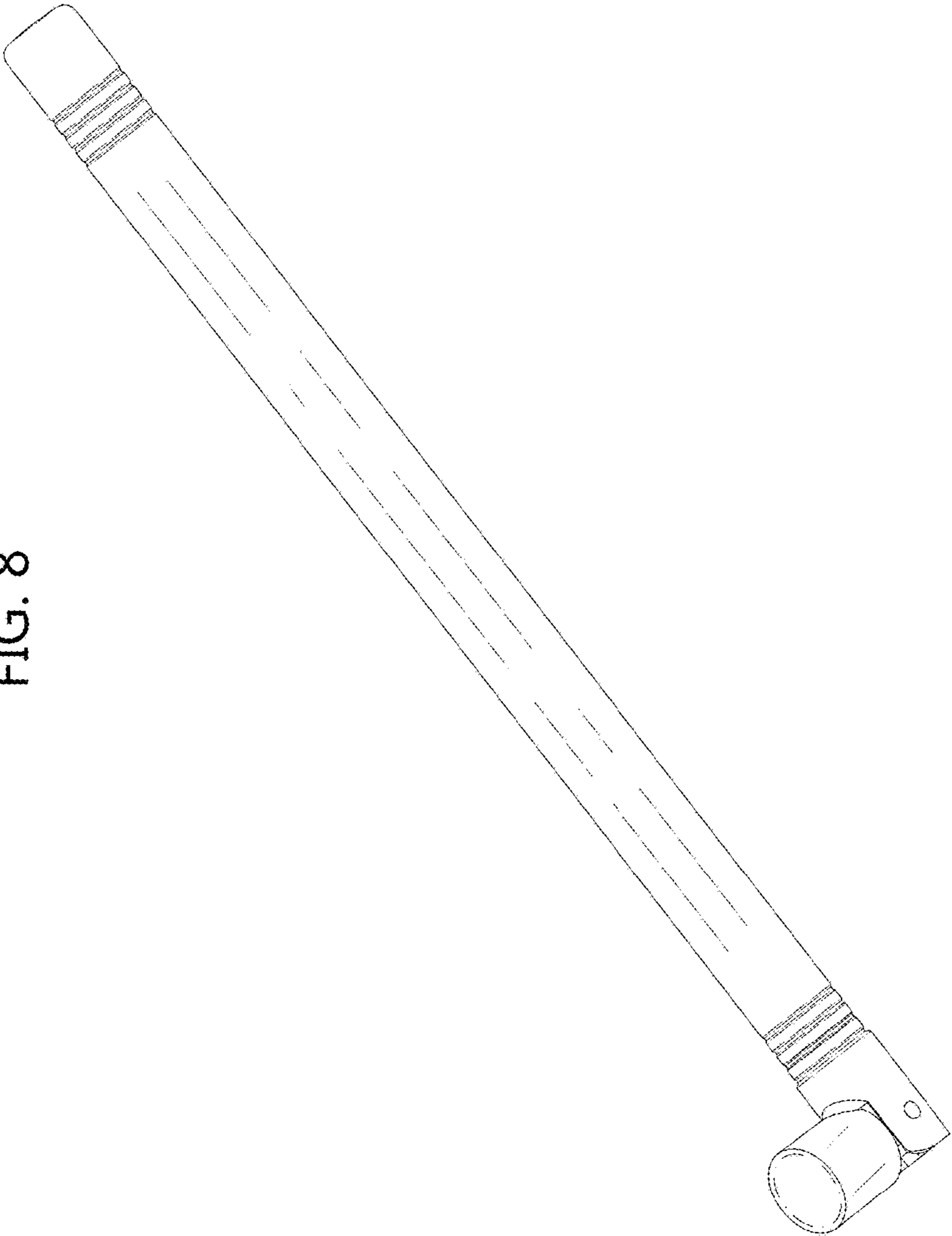


FIG. 7



FIG. 8



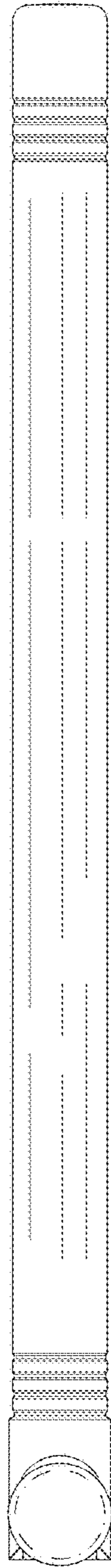


FIG. 9

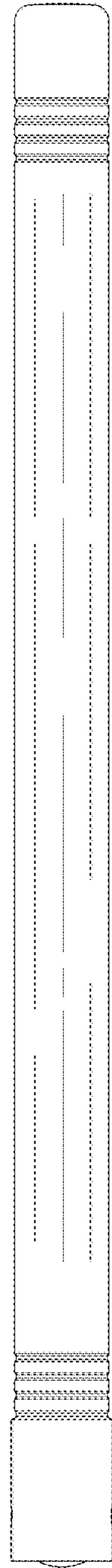


FIG. 10

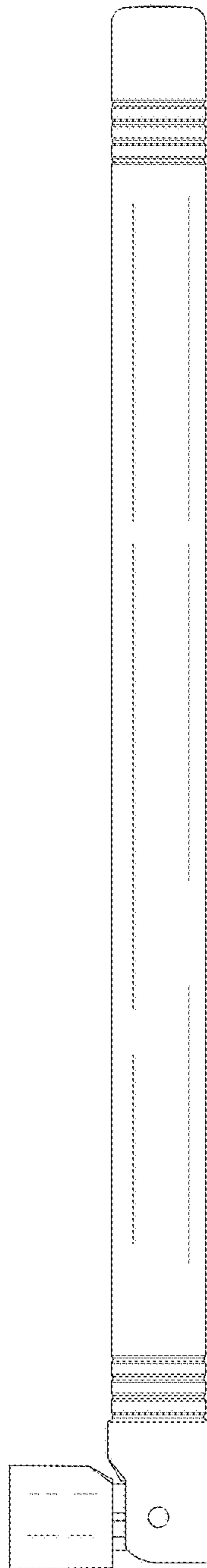


FIG. 11

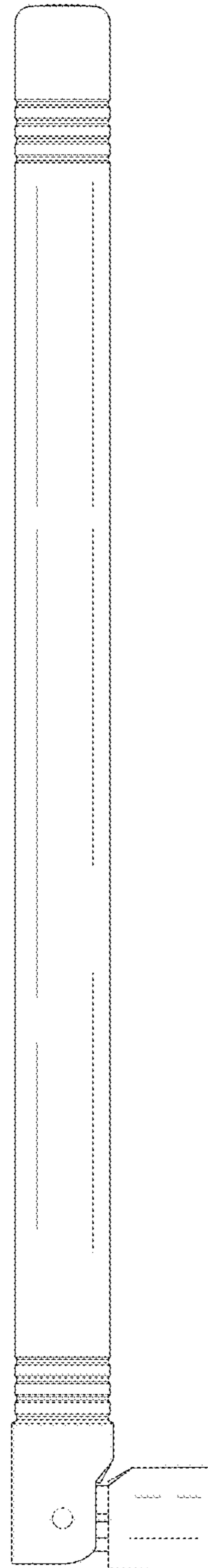


FIG. 12

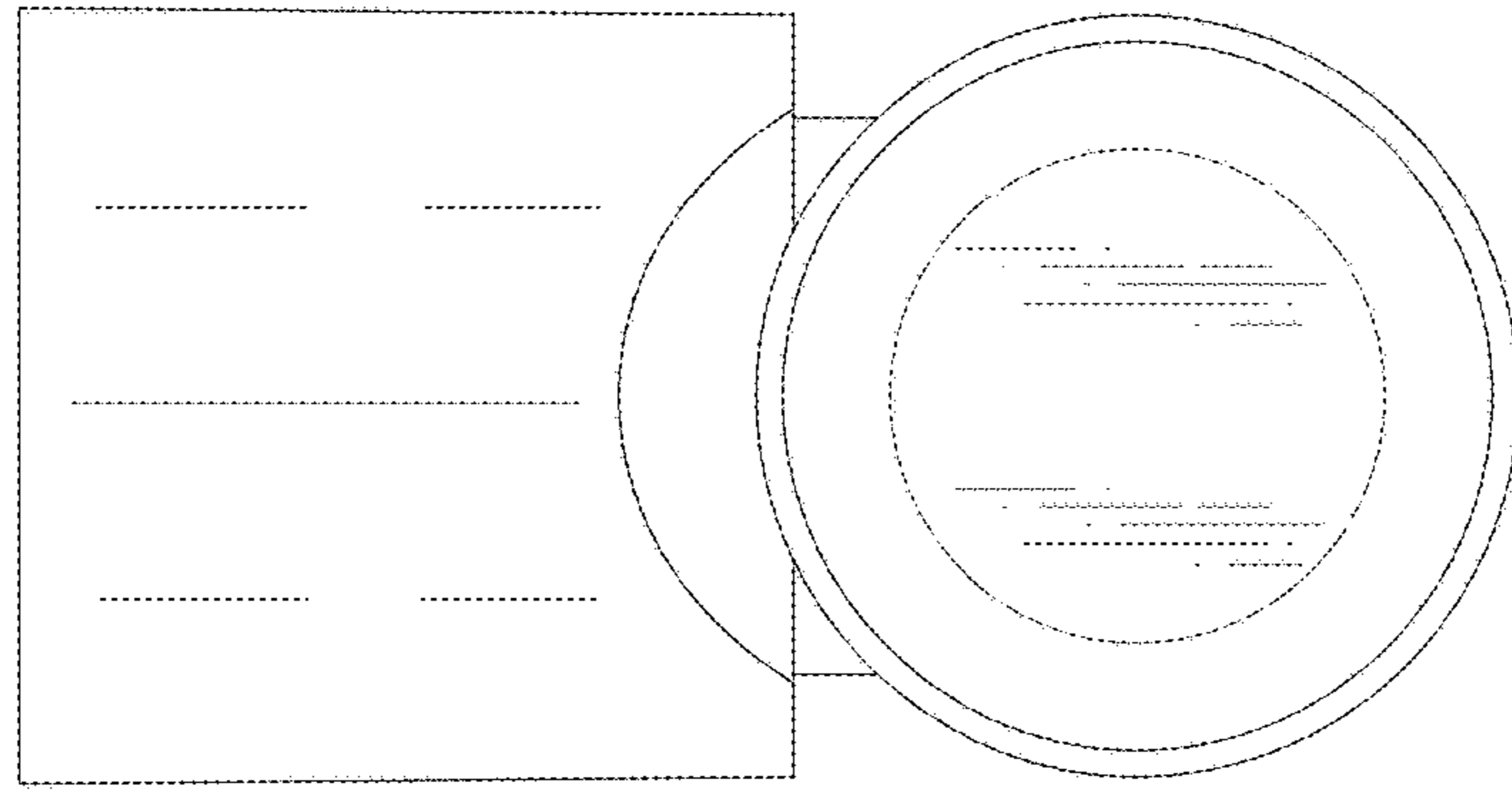


FIG. 13

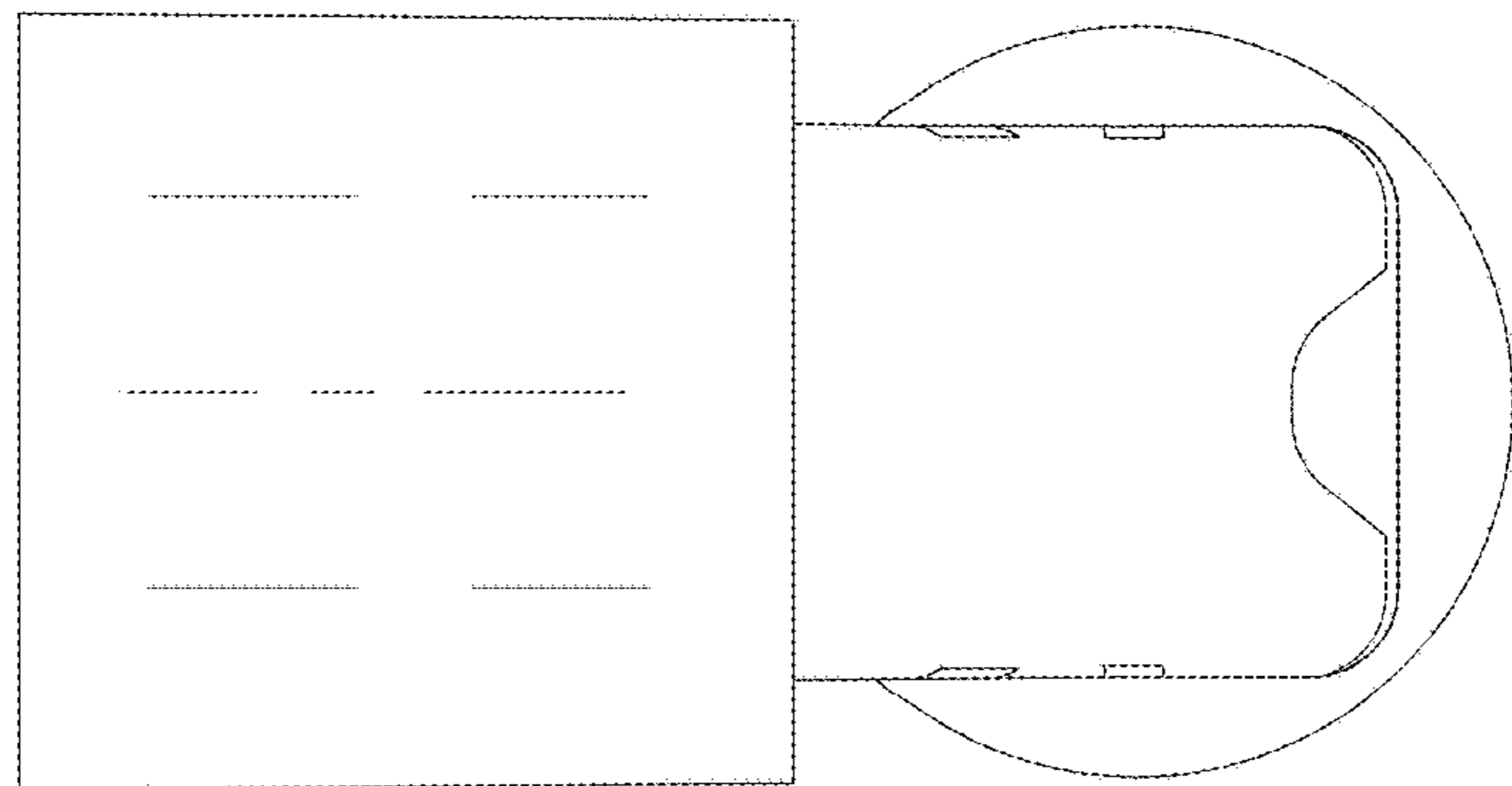
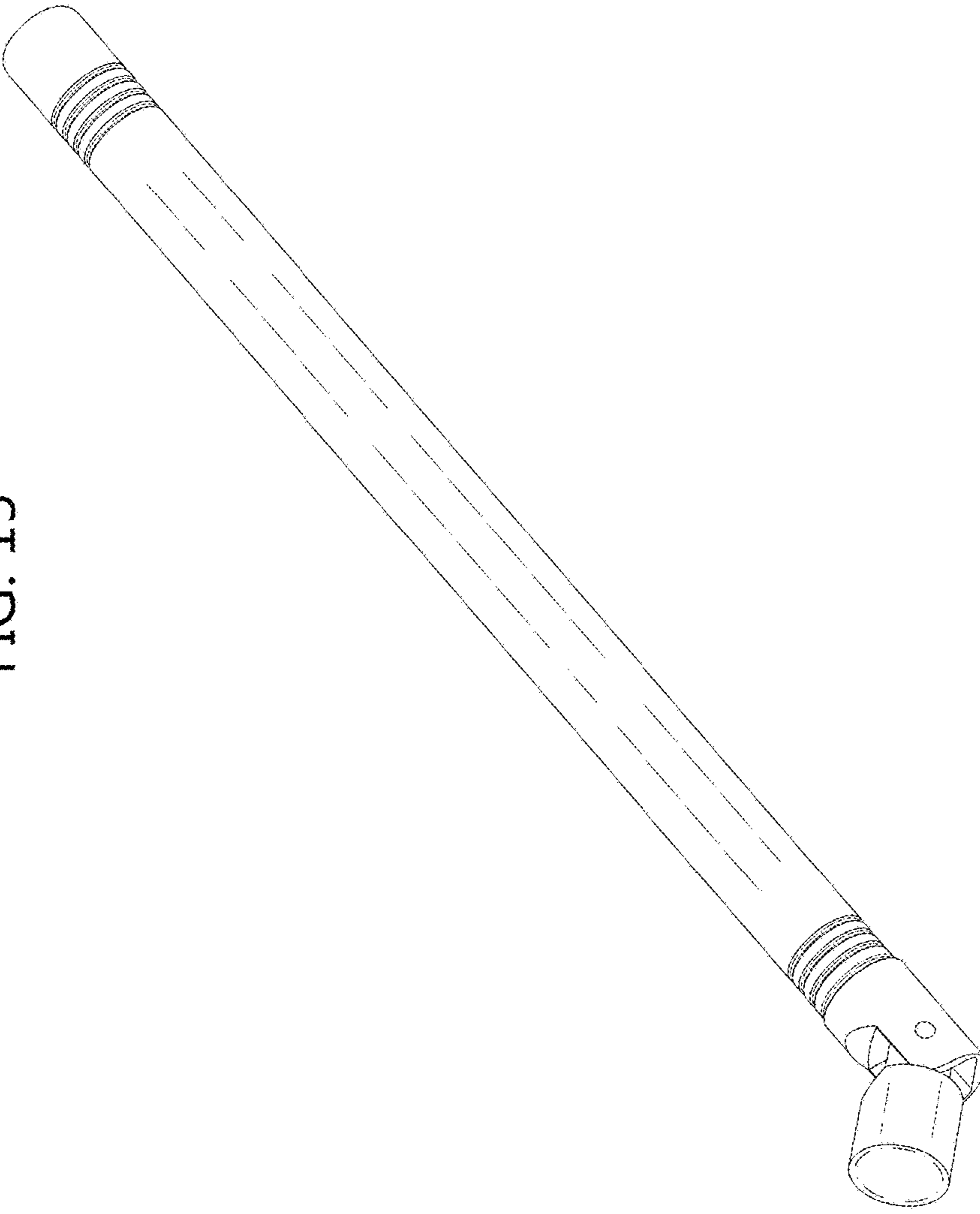


FIG. 14

FIG. 15





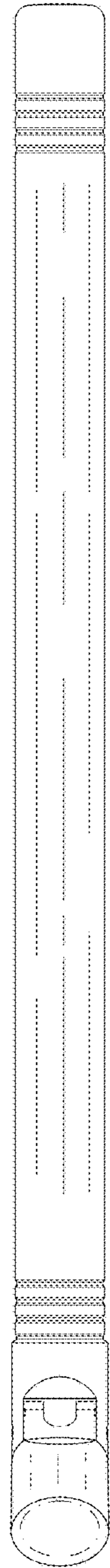


FIG. 16

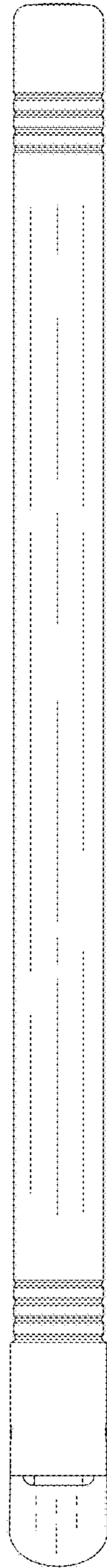


FIG. 17

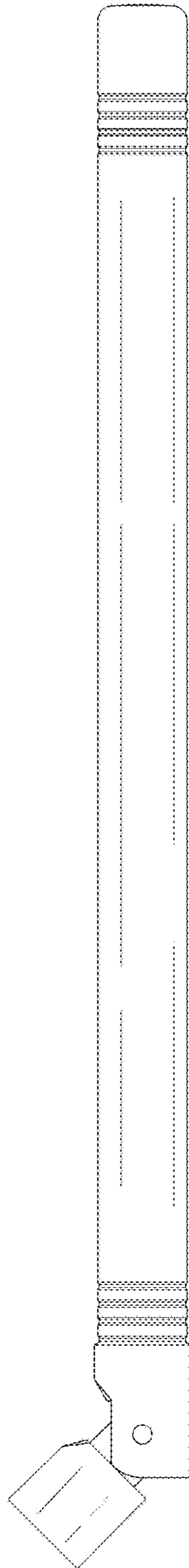


FIG. 18

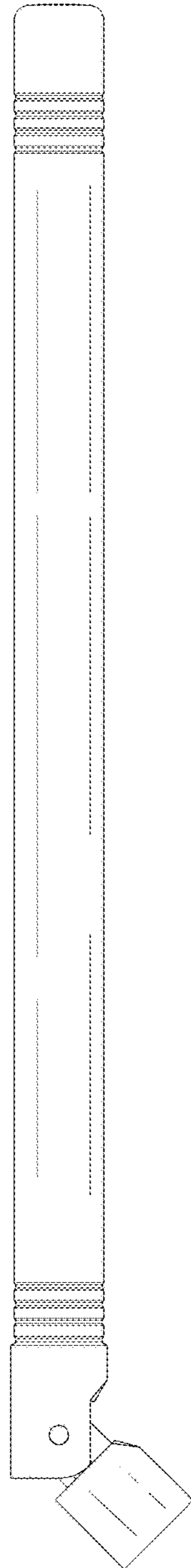


FIG. 19

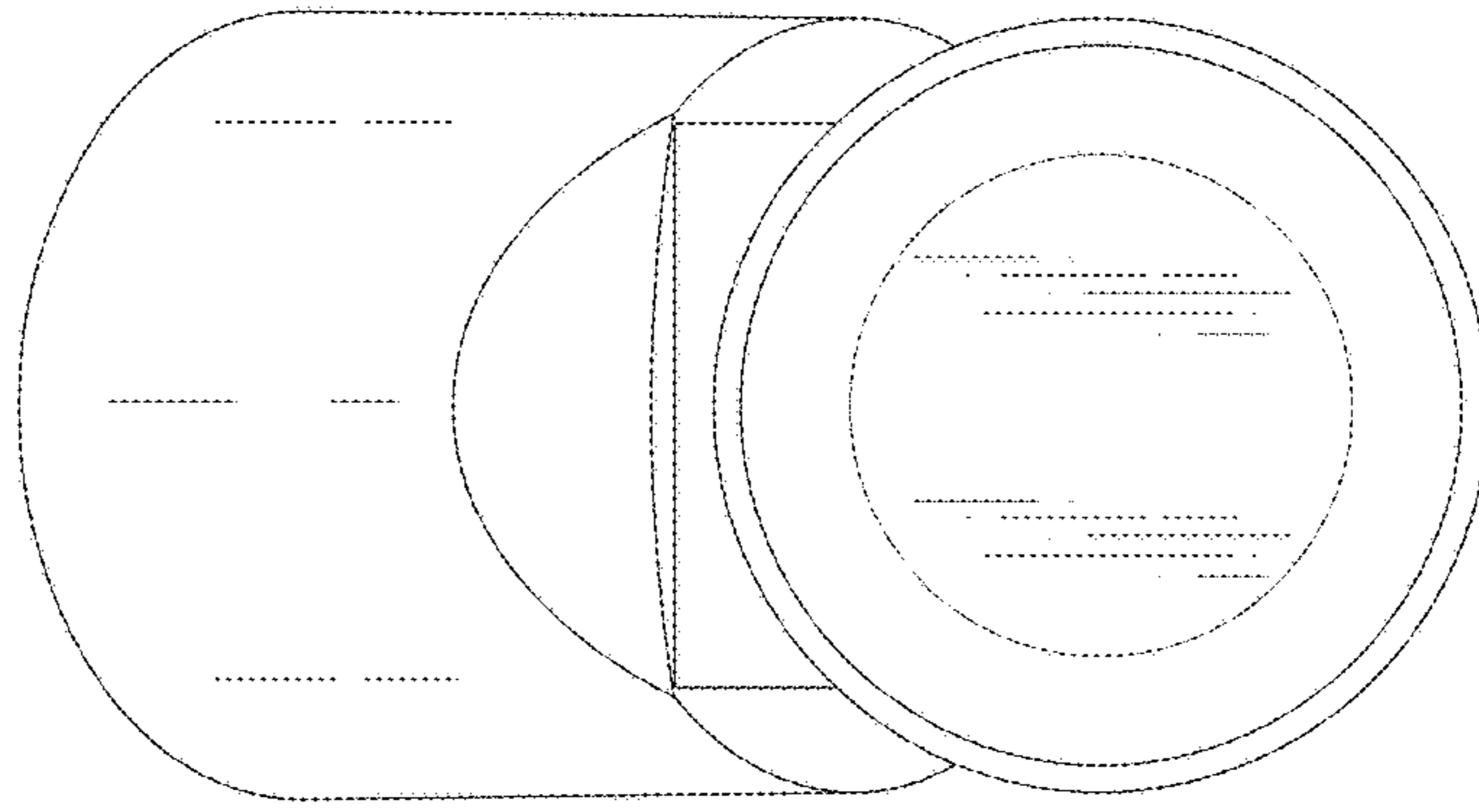


FIG. 20

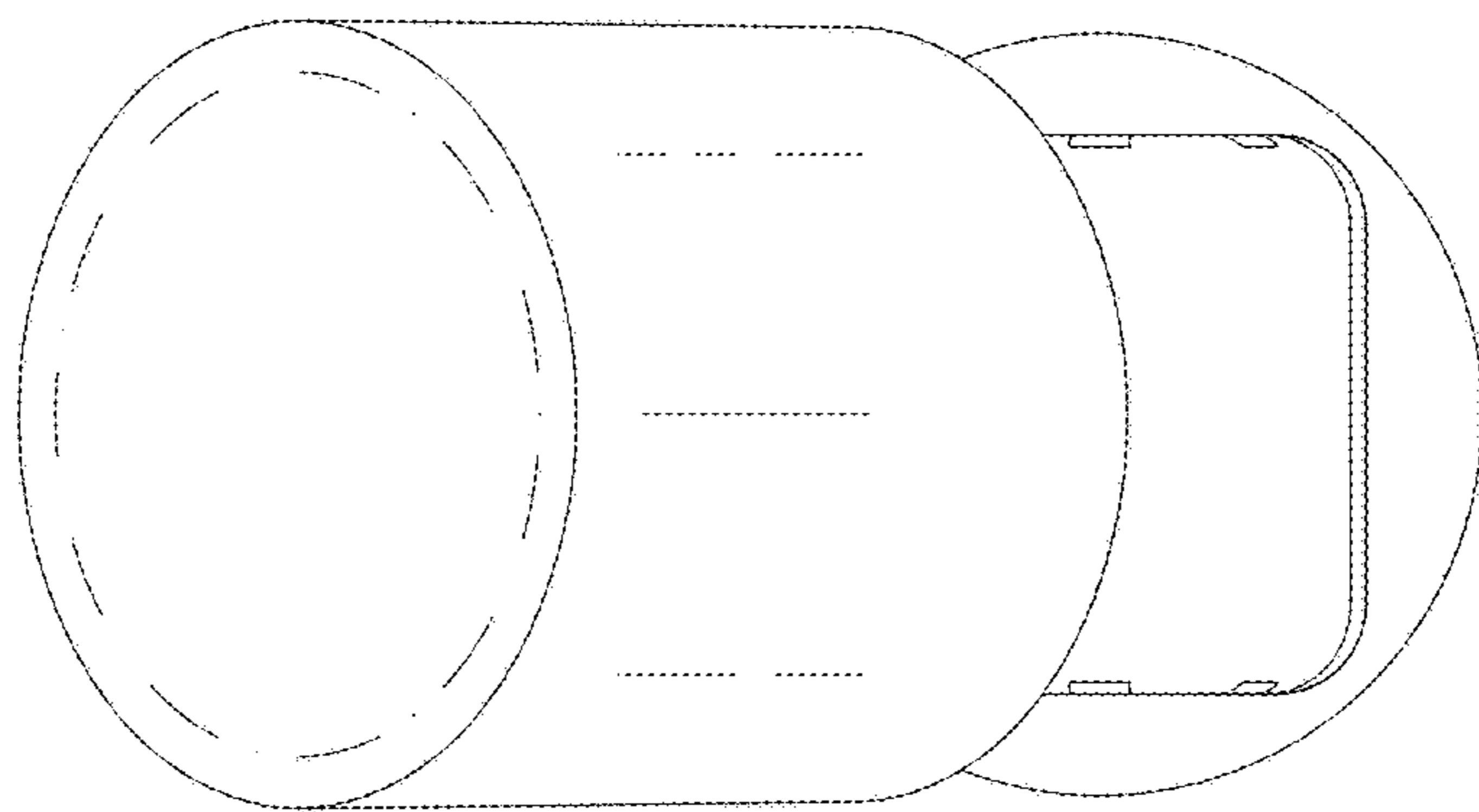


FIG. 21