



US00D863266S

(12) **United States Design Patent**
Kim et al.

(10) **Patent No.:** **US D863,266 S**
(45) **Date of Patent:** **** Oct. 15, 2019**

(54) **WIRELESS EARPHONE**

(71) Applicant: **LG ELECTRONICS INC.**, Seoul (KR)

(72) Inventors: **Hyunchul Kim**, Seoul (KR); **Dongsoon Kim**, Seoul (KR); **Jinki Min**, Seoul (KR); **Cheolwoong Shin**, Seoul (KR)

(73) Assignee: **LG ELECTRONICS INC.**, Seoul (KR)

(**) Term: **15 Years**

(21) Appl. No.: **35/505,664**

(22) Filed: **Mar. 15, 2018**

(80) **Hague Agreement Data**

Int. Filing Date: **Mar. 15, 2018**

Int. Reg. No.: **DM/100359**

Int. Reg. Date: **Mar. 15, 2018**

Int. Reg. Pub. Date: **Sep. 21, 2018**

(30) **Foreign Application Priority Data**

Sep. 26, 2017 (KR) 30-2017-0045157

(51) **LOC (12) Cl.** **14-01**

(52) **U.S. Cl.**
USPC **D14/223**

(58) **Field of Classification Search**

USPC ... D14/204, 205, 206, 224, 225, 249, 138 R,
D14/188, 172, 203.1, 496; D29/112;
D24/106, 173, 174

CPC H04R 25/02; H04R 25/02; H04R 25/00;
H04R 1/10; H04R 1/10016; H04R 1/105;
H04R 1/1083; H04R 1/02; H04R 1/1041;
H04R 1/28; H04R 2420/07; H04R
2430/00; H04R 2430/01; H04R 5/033

See application file for complete search history.

(56) **References Cited**

U.S. PATENT DOCUMENTS

4,668,842	A *	5/1987	Yokoyama	H04R 1/1066 381/370
D639,283	S *	6/2011	Ozawa	D14/223
D671,530	S *	11/2012	Yang	D14/223
D736,185	S *	8/2015	Yaegashi	D14/223
D752,542	S *	3/2016	Lamar	D14/205
D759,633	S *	6/2016	Gondo	D14/223
D762,623	S *	8/2016	Gondo	D14/223
D798,844	S *	10/2017	Nokuo	D14/223
D821,999	S *	7/2018	Guo	D14/205
D830,336	S *	10/2018	Cai	D14/205
D847,125	S *	4/2019	Akana	D14/223
D848,983	S *	5/2019	Kim	D14/223
2009/0185706	A1 *	7/2009	Ito	H04R 1/105 381/382

FOREIGN PATENT DOCUMENTS

CN 304393560 * 12/2017

* cited by examiner

Primary Examiner — Jeffrey D Asch

Assistant Examiner — Tracey J Bell

(74) *Attorney, Agent, or Firm* — Birch, Stewart, Kolasch & Birch, LLP

(57) **CLAIM**

The ornamental design for a wireless earphone, as shown and described.

DESCRIPTION

1. Wireless earphone

1.1 : Perspective

1.2 : Front

1.3 : Back

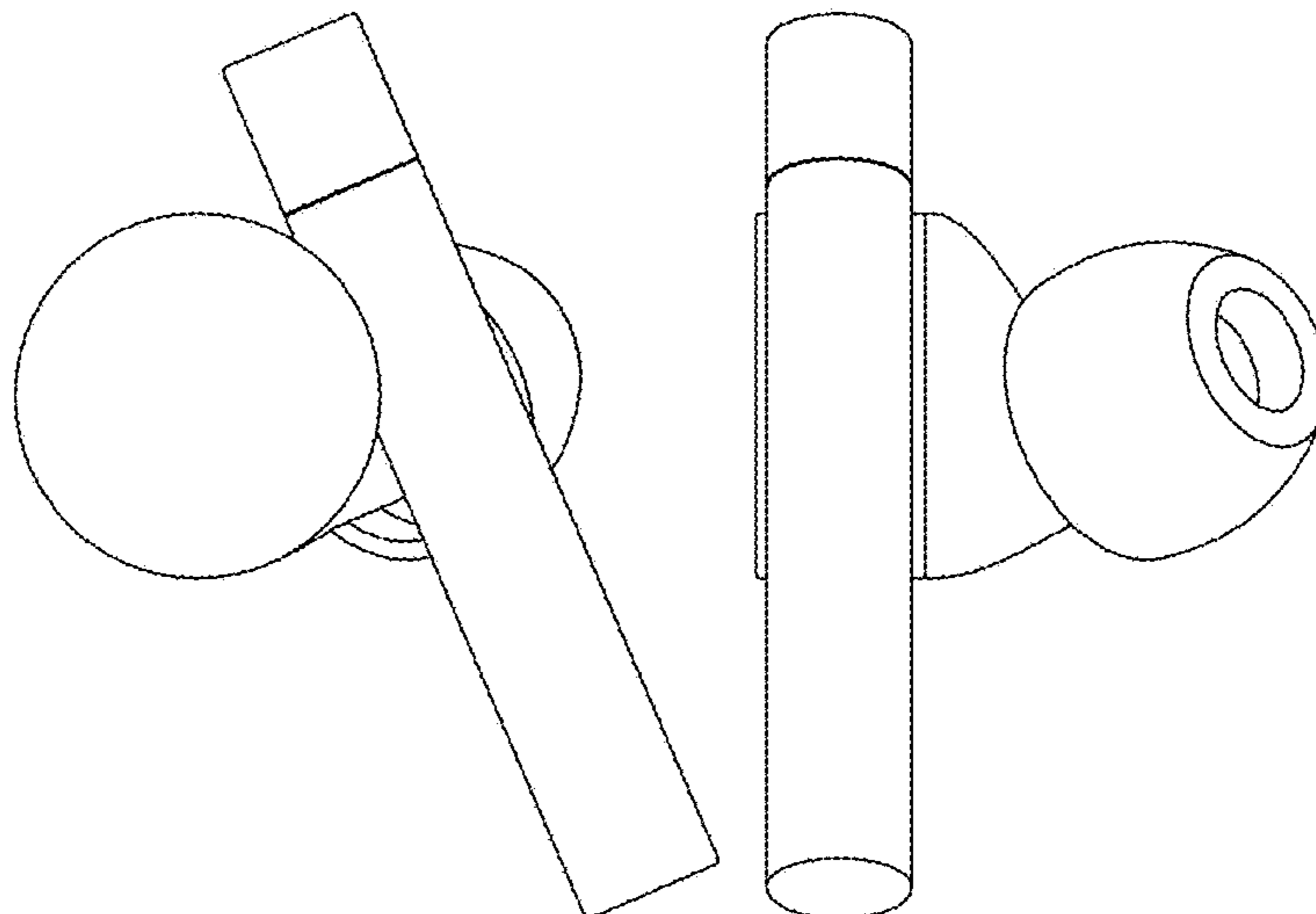
1.4 : Left

1.5 : Right

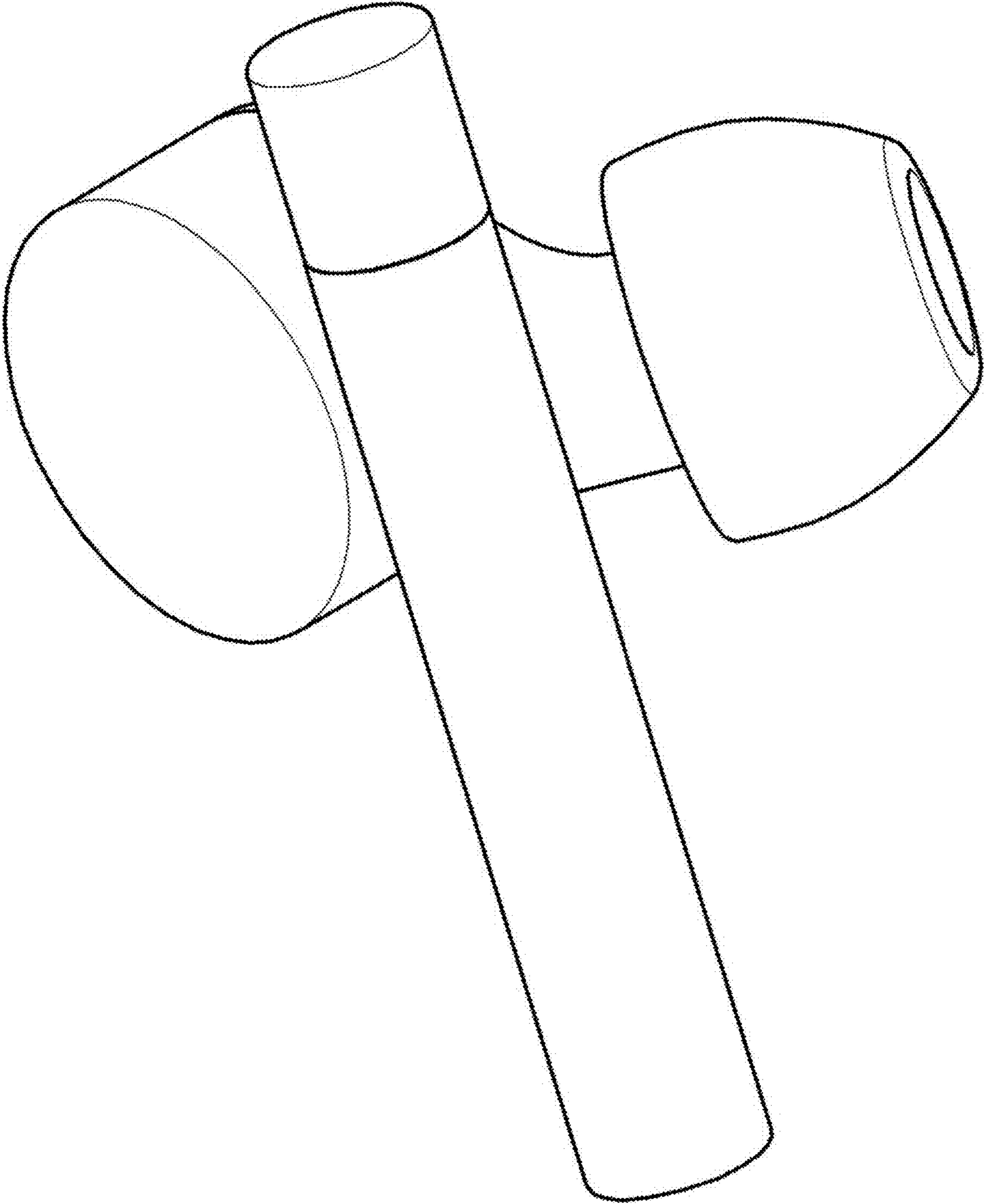
1.6 : Top

1.7 : Bottom

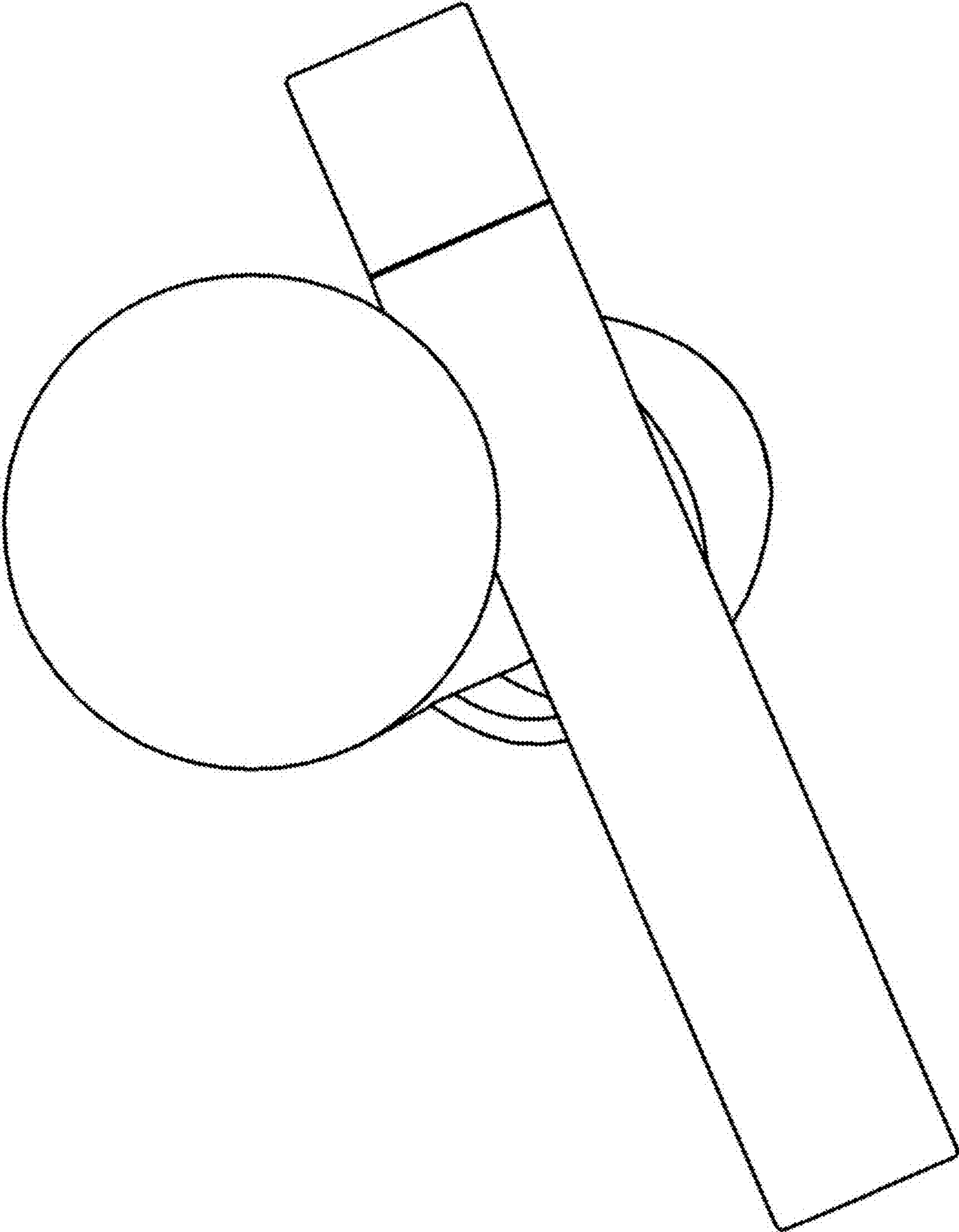
1 Claim, 7 Drawing Sheets



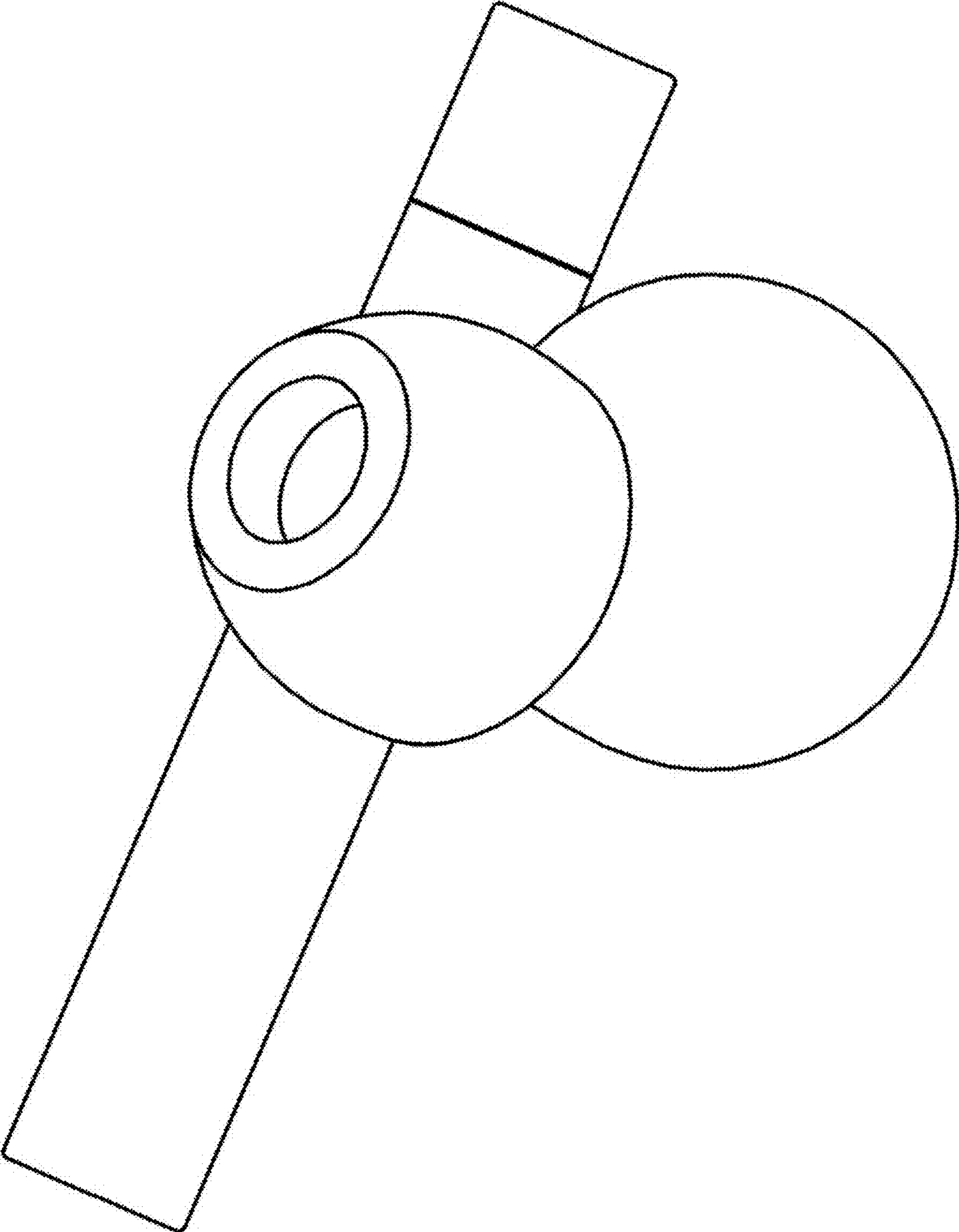
1.1



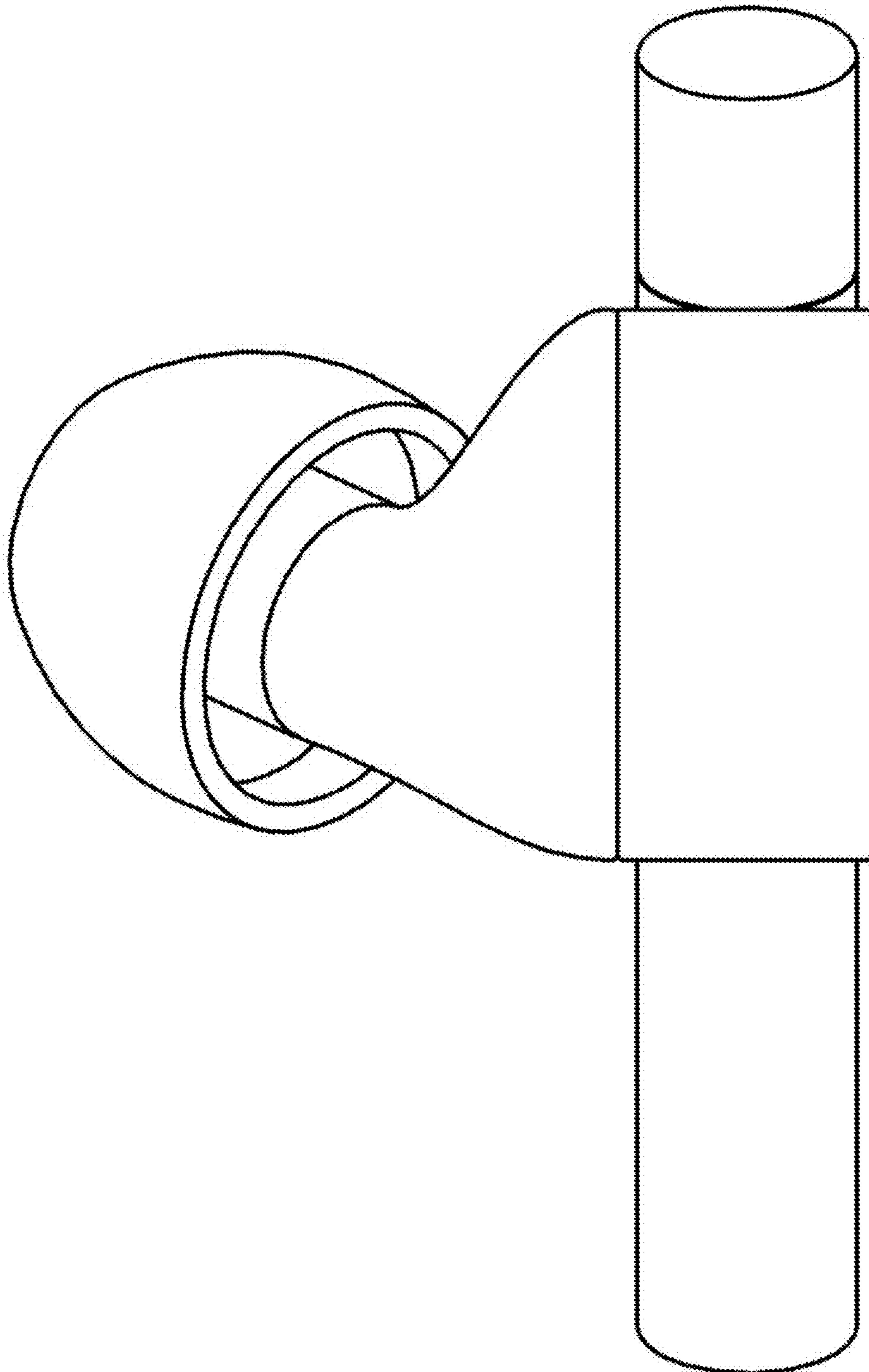
1.2



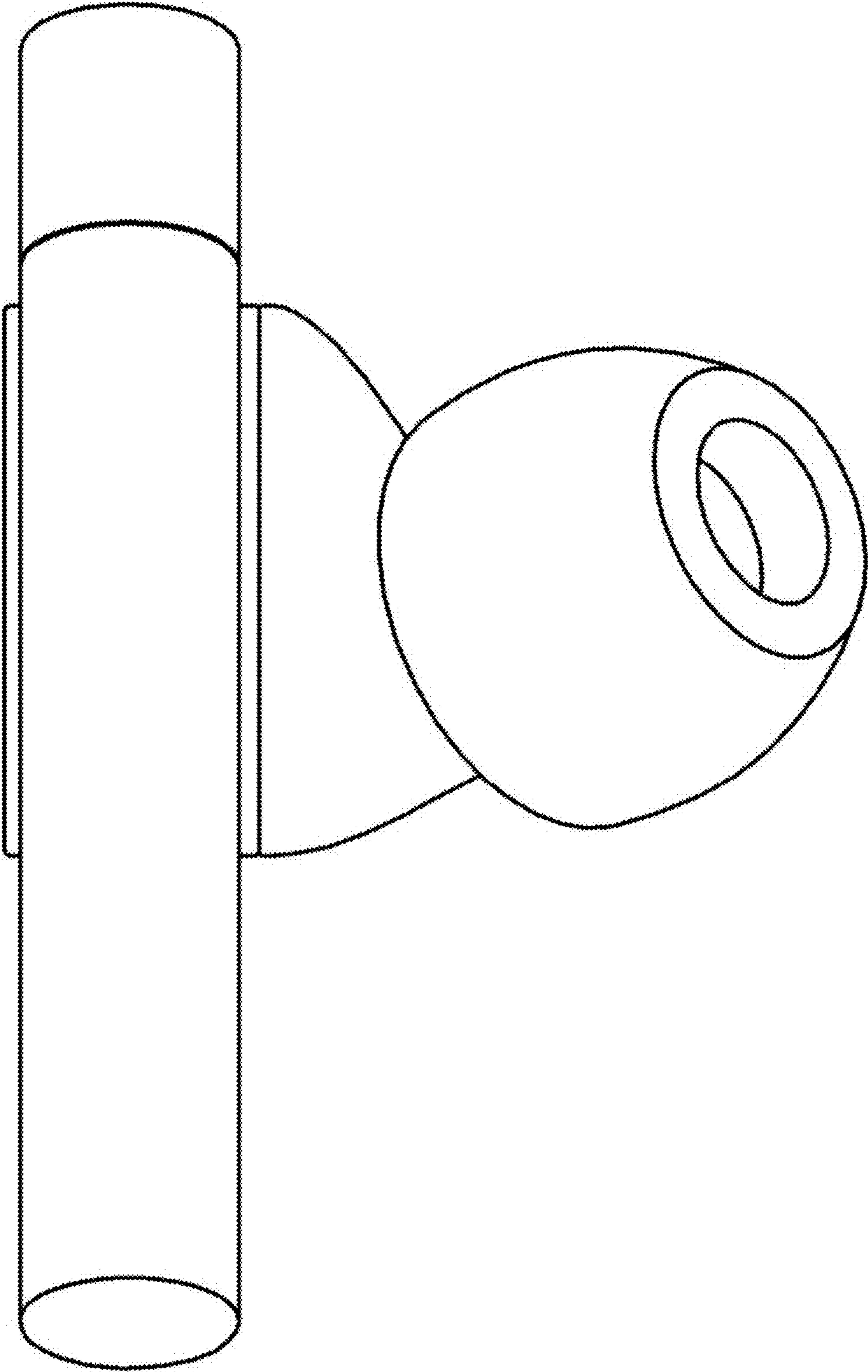
1.3



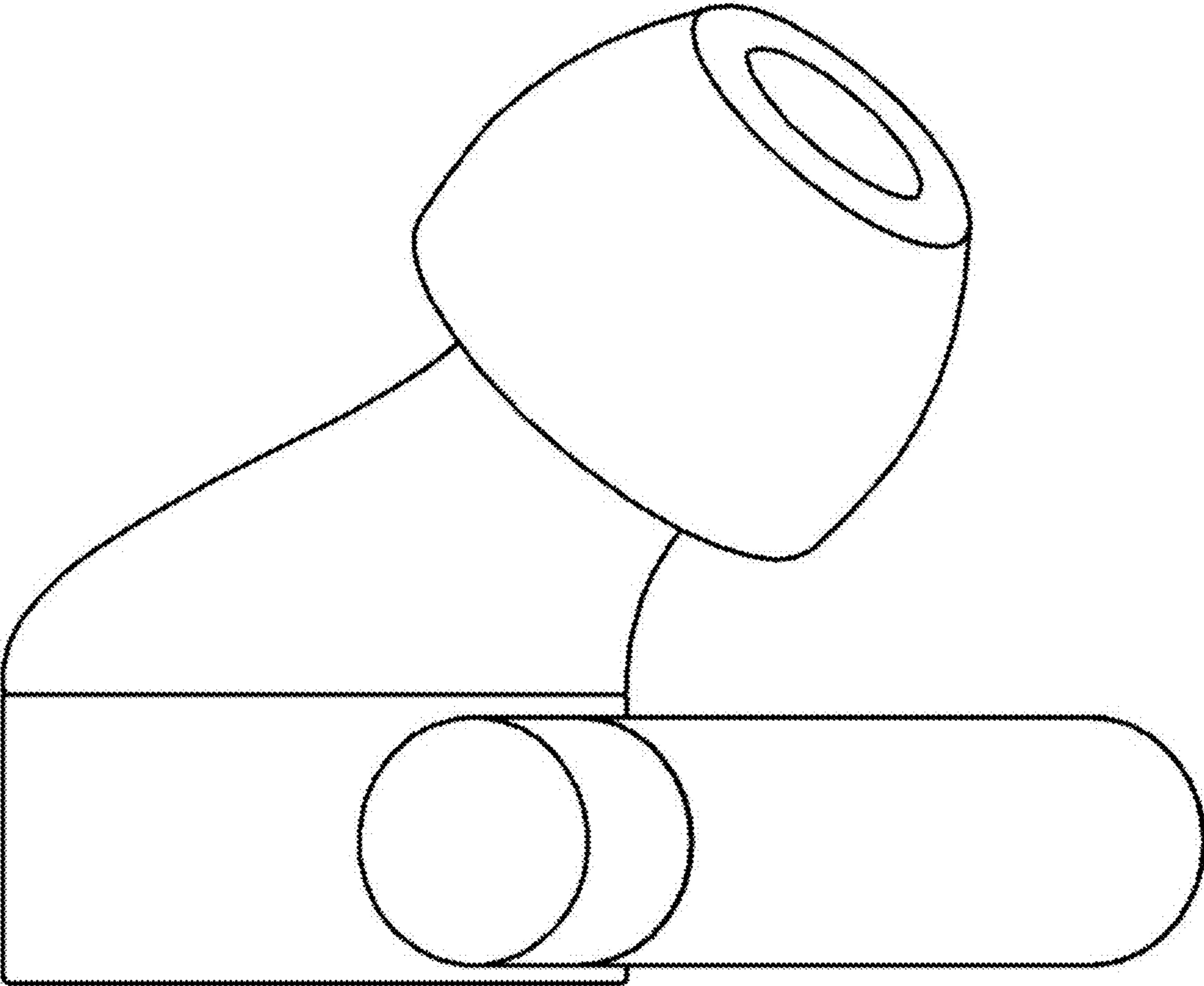
1.4



1.5



1.6



1.7

