



US00D863265S

(12) **United States Design Patent**
Hu

(10) **Patent No.:** **US D863,265 S**

(45) **Date of Patent:** **** Oct. 15, 2019**

- (54) **EARPHONE**
- (71) Applicant: **SHENZHEN QIANHAI PATUOXUN NETWORK AND TECHNOLOGY CO., LTD**, Shenzhen (CN)
- (72) Inventor: **Zaihui Hu**, Shenzhen (CN)
- (73) Assignee: **SHENZHEN QIANHAI PATUOXUN NETWORK AND TECHNOLOGY CO., LTD**, Shenzhen (CN)

(**) Term: **15 Years**

(21) Appl. No.: **29/691,050**

(22) Filed: **May 14, 2019**

(51) **LOC (12) Cl.** **14-01**

(52) **U.S. Cl.**
USPC **D14/223**

(58) **Field of Classification Search**
 USPC D14/223, 205; D24/174; 128/865, 866, 128/867; 181/129, 130, 135; 379/430, 379/431; 381/380, 381, 374, 375; 455/90.3, 575.1, 569.1
 CPC H04R 1/10; H04R 25/00; H04R 25/02; H04R 1/1066; H04R 1/1016; H04R 5/033; H04R 5/0335; H04R 1/105; H04R 1/1058; H04R 1/02

See application file for complete search history.

(56) **References Cited**

U.S. PATENT DOCUMENTS

- 2,641,327 A * 6/1953 Balmer H04R 1/105 181/129
- 5,412,736 A * 5/1995 Keliiliki H04R 1/105 381/330
- D375,959 S * 11/1996 Davis D14/206
- 5,625,171 A * 4/1997 Marshall H04R 1/1058 181/130
- 5,655,026 A * 8/1997 Peters H04R 1/1066 381/370

- 6,233,344 B1 * 5/2001 Clegg H04R 1/083 381/330
- D447,743 S * 9/2001 Ma D14/223
- 6,396,935 B1 * 5/2002 Makkonen H04B 1/385 379/430
- D460,436 S * 7/2002 Bjorklund D14/205
- D469,422 S * 1/2003 Nguyen D14/205

(Continued)

FOREIGN PATENT DOCUMENTS

- EM 004681914-0001 2/2018
- WO D100753-001 * 3/2018

OTHER PUBLICATIONS

Mpow Flame Bluetooth Headphones, IPX7 Waterproof Wireless Sport Headphones, Bass+/Hi-fi Stereo/in-Ear Earphones w/Mic, 7-9 Hrs Playtime Sport Headphones, Perfect for Running and Gym Workout-Blue, 1 page [https://www.amazon.com/Mpow-Bluetooth-Headphones-Waterproof-Workout-Blue/dp/B07 . . .](https://www.amazon.com/Mpow-Bluetooth-Headphones-Waterproof-Workout-Blue/dp/B07...) Aug. 2, 2019 (Year: 2019).*

Primary Examiner — Paula Allen Greene

(74) *Attorney, Agent, or Firm* — JCIP Global Inc.

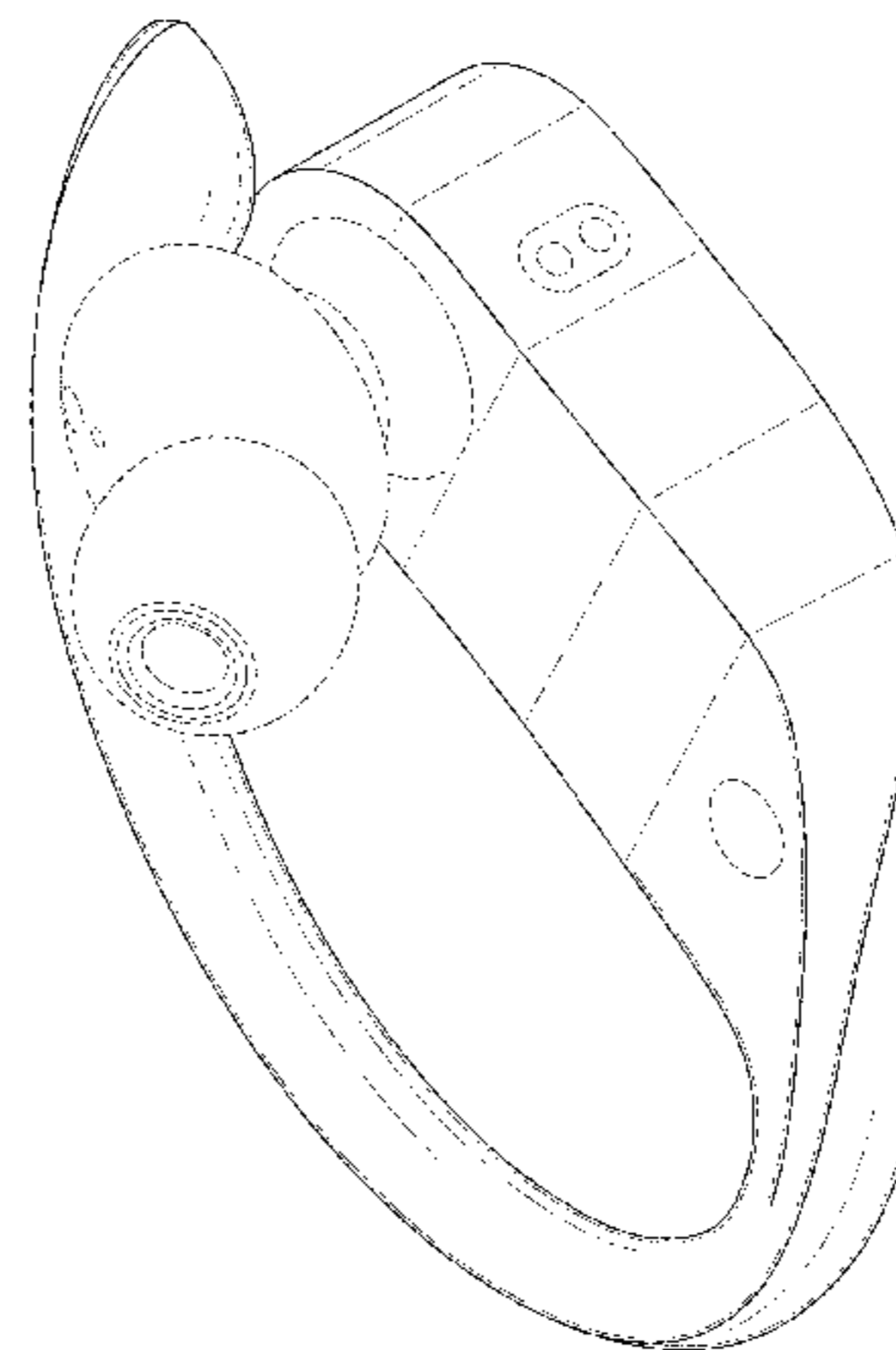
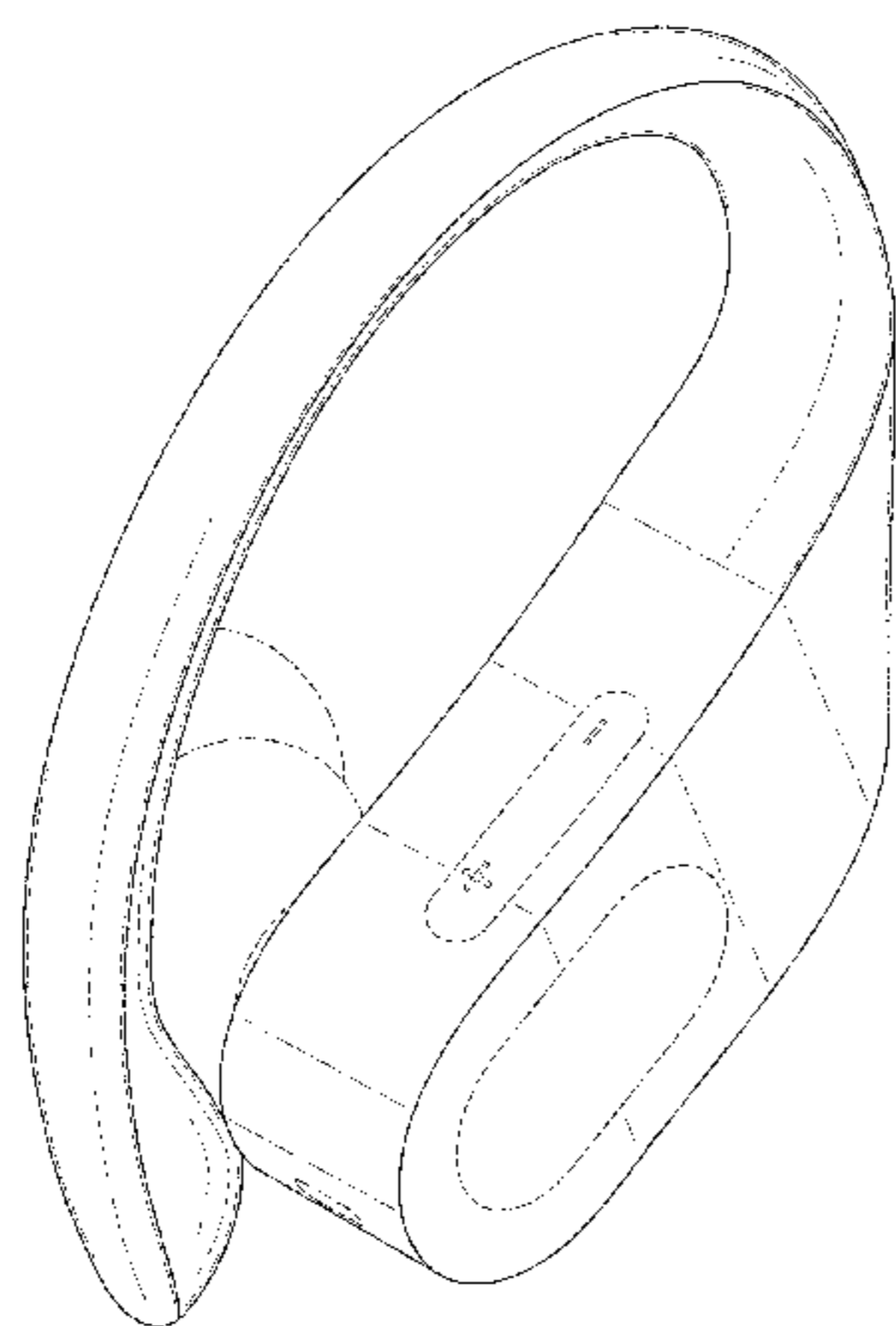
(57) **CLAIM**

The ornamental design for an earphone, as shown and described.

DESCRIPTION

FIG. 1 is a perspective view of an earphone showing my new design;
 FIG. 2 is another perspective view thereof;
 FIG. 3 is a front view thereof;
 FIG. 4 is a rear view thereof;
 FIG. 5 is a left side view thereof;
 FIG. 6 is a right side view thereof;
 FIG. 7 is a top view thereof; and,
 FIG. 8 is a bottom view thereof.
 The broken lines in the drawings illustrate portions of the earphone which form no part of the claimed design.

1 Claim, 7 Drawing Sheets



(56)

References Cited

U.S. PATENT DOCUMENTS

D470,129 S * 2/2003 Hlas D14/205
 D474,178 S * 5/2003 Eroma D14/205
 D498,227 S * 11/2004 Dyer D14/205
 D501,196 S * 1/2005 Dyer D14/205
 D504,672 S * 5/2005 Hirano D14/205
 D510,085 S * 9/2005 Suzuki D14/223
 D510,575 S * 10/2005 Leong D14/205
 D515,069 S * 2/2006 Naito D14/205
 D518,816 S * 4/2006 Naito D14/205
 D542,267 S * 5/2007 Cha D14/206
 D543,968 S * 6/2007 Wong D14/205
 D593,075 S * 5/2009 Williams D14/223
 D597,084 S * 7/2009 Gondo D14/223
 D603,847 S * 11/2009 Chung D14/223
 7,648,005 B2 * 1/2010 Leong A61F 11/08
 128/867
 7,708,110 B2 * 5/2010 Leong A61F 11/08
 128/867
 D617,778 S * 6/2010 Birger D14/223
 D625,297 S * 10/2010 Tseng D14/223
 D629,397 S * 12/2010 Hensen H04R 5/033
 D14/223
 D631,470 S * 1/2011 Yoneyama D14/223
 D633,899 S * 3/2011 Zheng D14/223
 D635,960 S * 4/2011 Gondo D14/223
 D639,787 S * 6/2011 Quek D14/223
 D641,884 S * 7/2011 Laperle D24/174
 8,265,328 B2 * 9/2012 Milde H04R 1/1066
 381/370

D685,768 S * 7/2013 Mogili D14/223
 D695,275 S * 12/2013 Chee D14/223
 D710,333 S * 8/2014 Davies H04R 1/10
 D14/223
 D712,382 S * 9/2014 Brunner D14/223
 D713,385 S * 9/2014 Burgett D14/223
 D718,283 S * 11/2014 Thompson D14/223
 D725,637 S * 3/2015 Nakajima D14/223
 D743,945 S * 11/2015 Brunner D14/223
 D743,946 S * 11/2015 Brunner D14/223
 D761,770 S * 7/2016 Kanou D14/206
 D775,610 S * 1/2017 Nakajima D14/223
 D780,721 S * 3/2017 Brunner D14/223
 D801,952 S * 11/2017 Lian D14/223
 D806,684 S 1/2018 Tsai
 D807,331 S * 1/2018 Morimoto D14/223
 D810,053 S * 2/2018 Otani D14/223
 D821,364 S * 6/2018 Brunner D14/223
 D834,003 S * 11/2018 Maeda D14/223
 D838,692 S * 1/2019 Fu D14/223
 D848,978 S * 5/2019 Min D14/223
 D852,784 S * 7/2019 Cramer H04R 1/1041
 D14/223
 D853,993 S * 7/2019 Kuh D14/223
 2003/0044038 A1 * 3/2003 Shirata H04R 1/105
 381/381
 2009/0285434 A1 * 11/2009 Williams H04R 1/1091
 381/375
 2013/0010997 A1 * 1/2013 Tanaka A61B 5/01
 381/380
 2016/0014492 A1 * 1/2016 McCarthy H04R 1/1016
 381/74

* cited by examiner

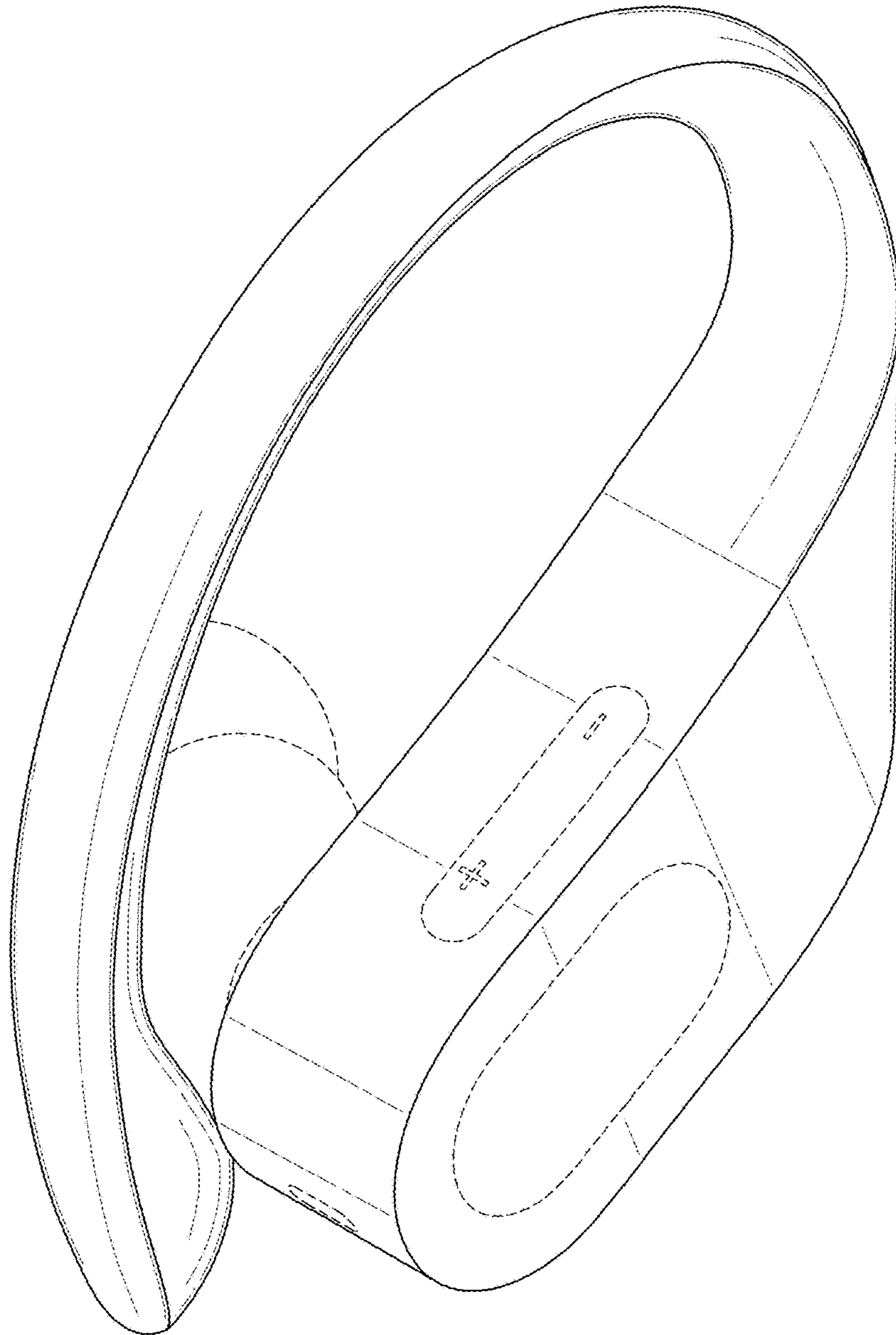


FIG. 1

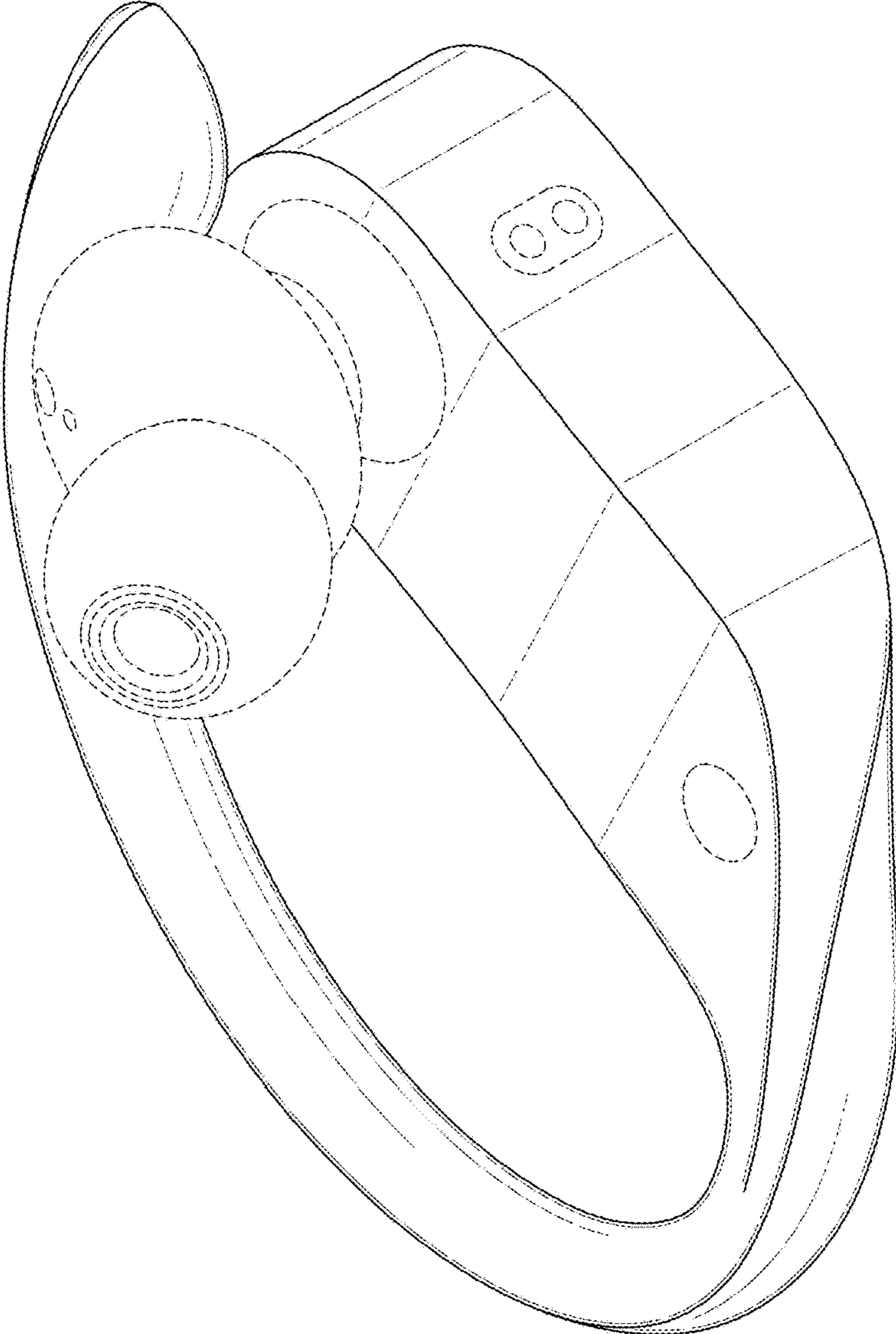


FIG. 2

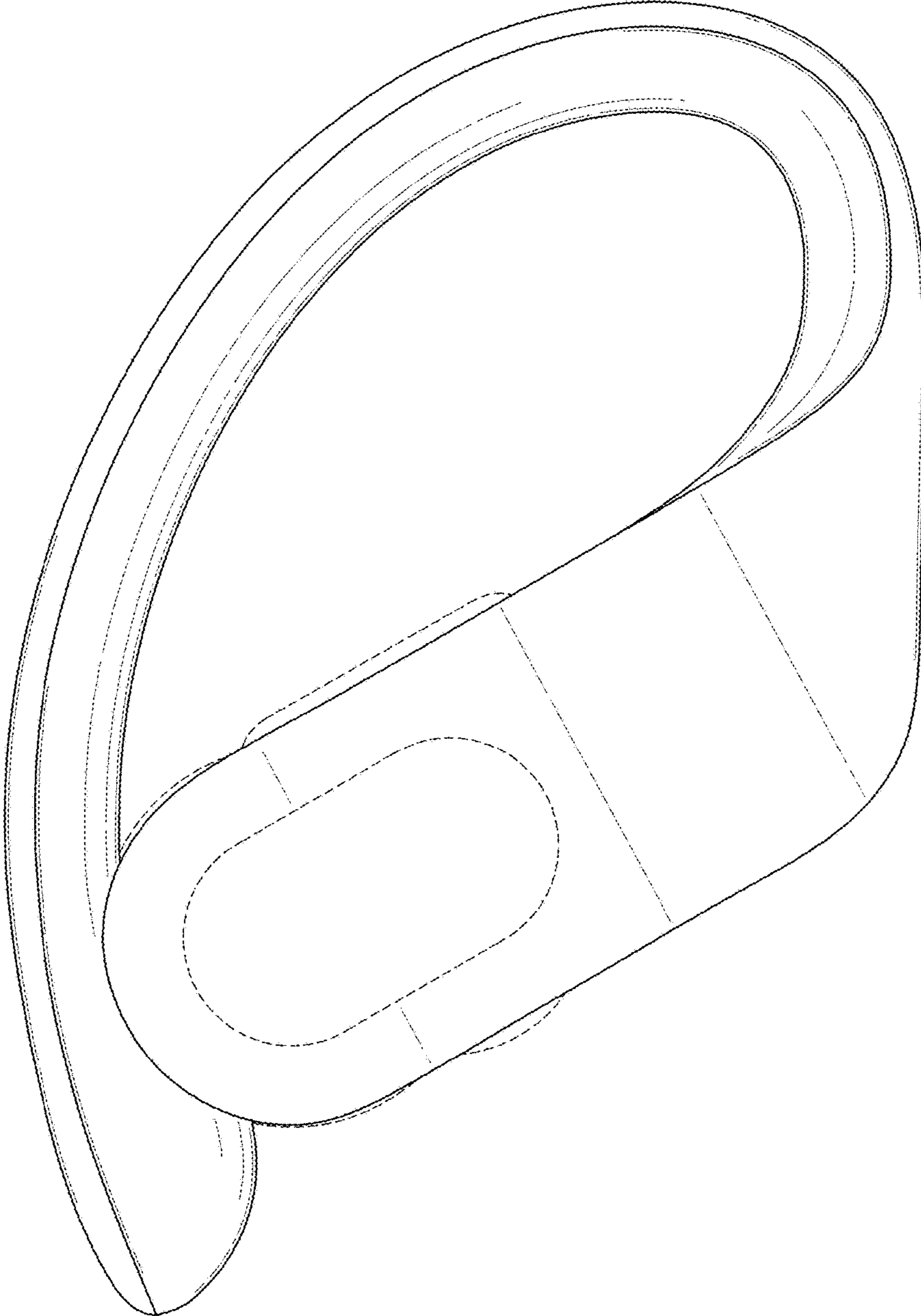


FIG. 3

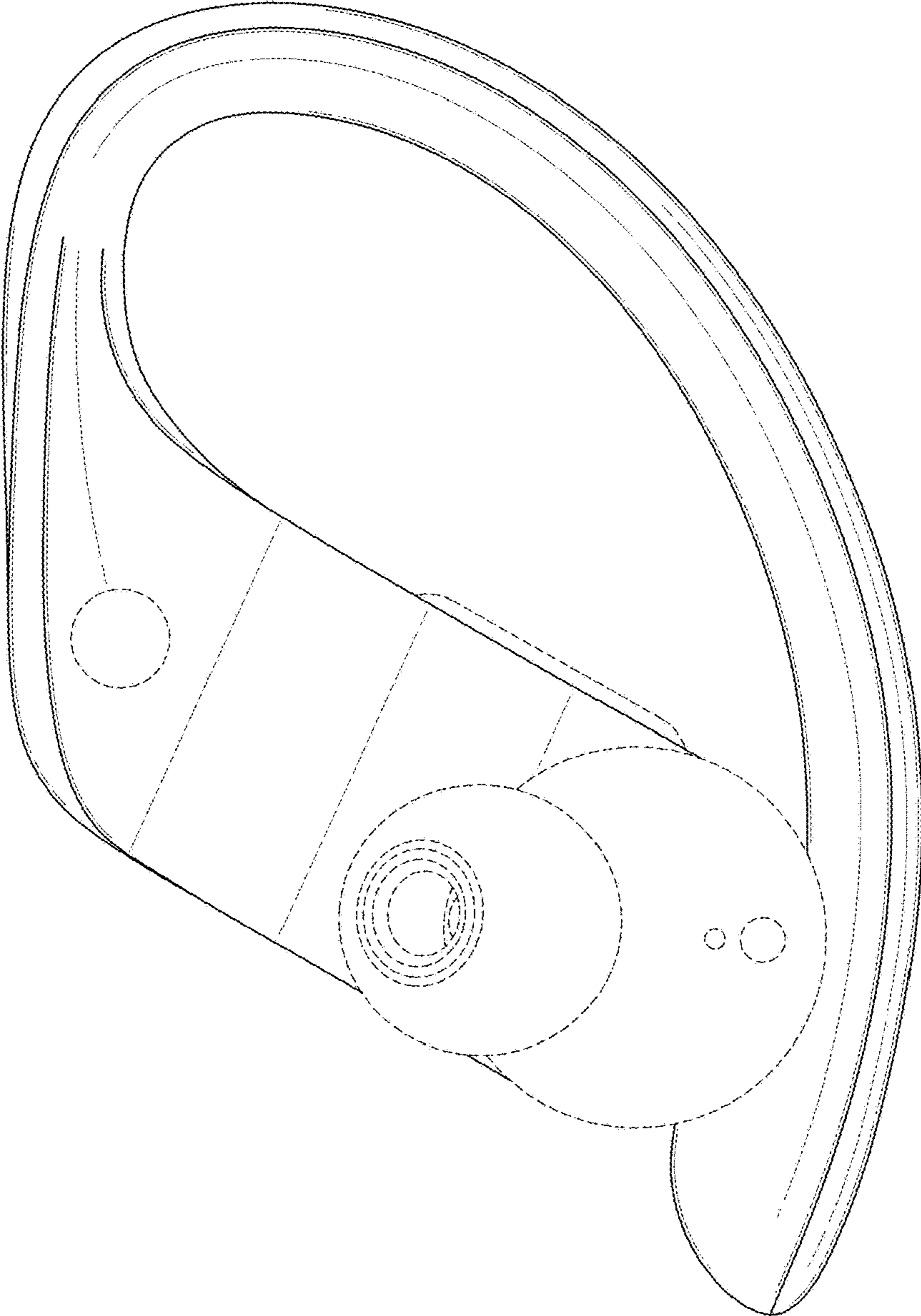


FIG. 4

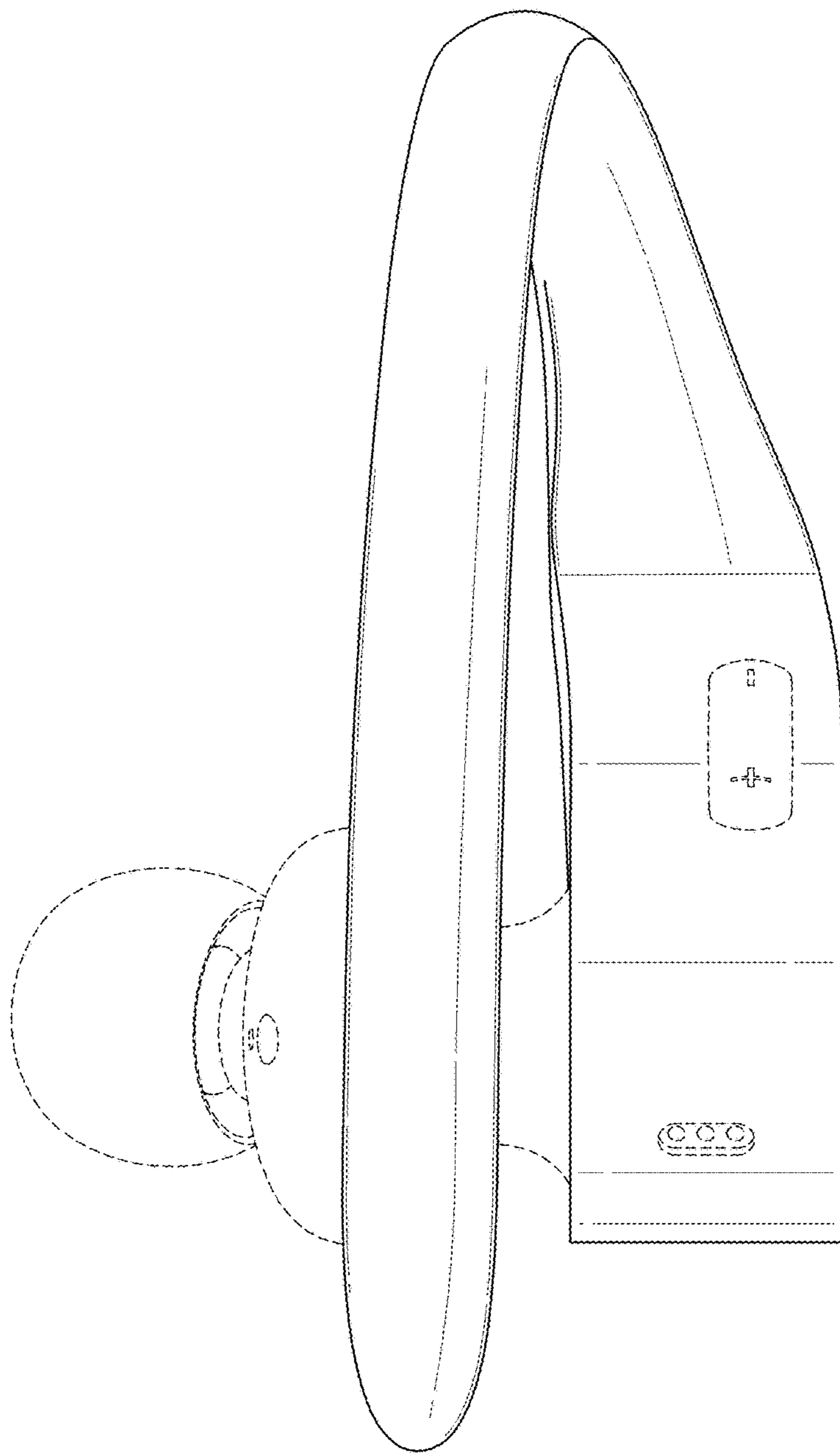


FIG. 5

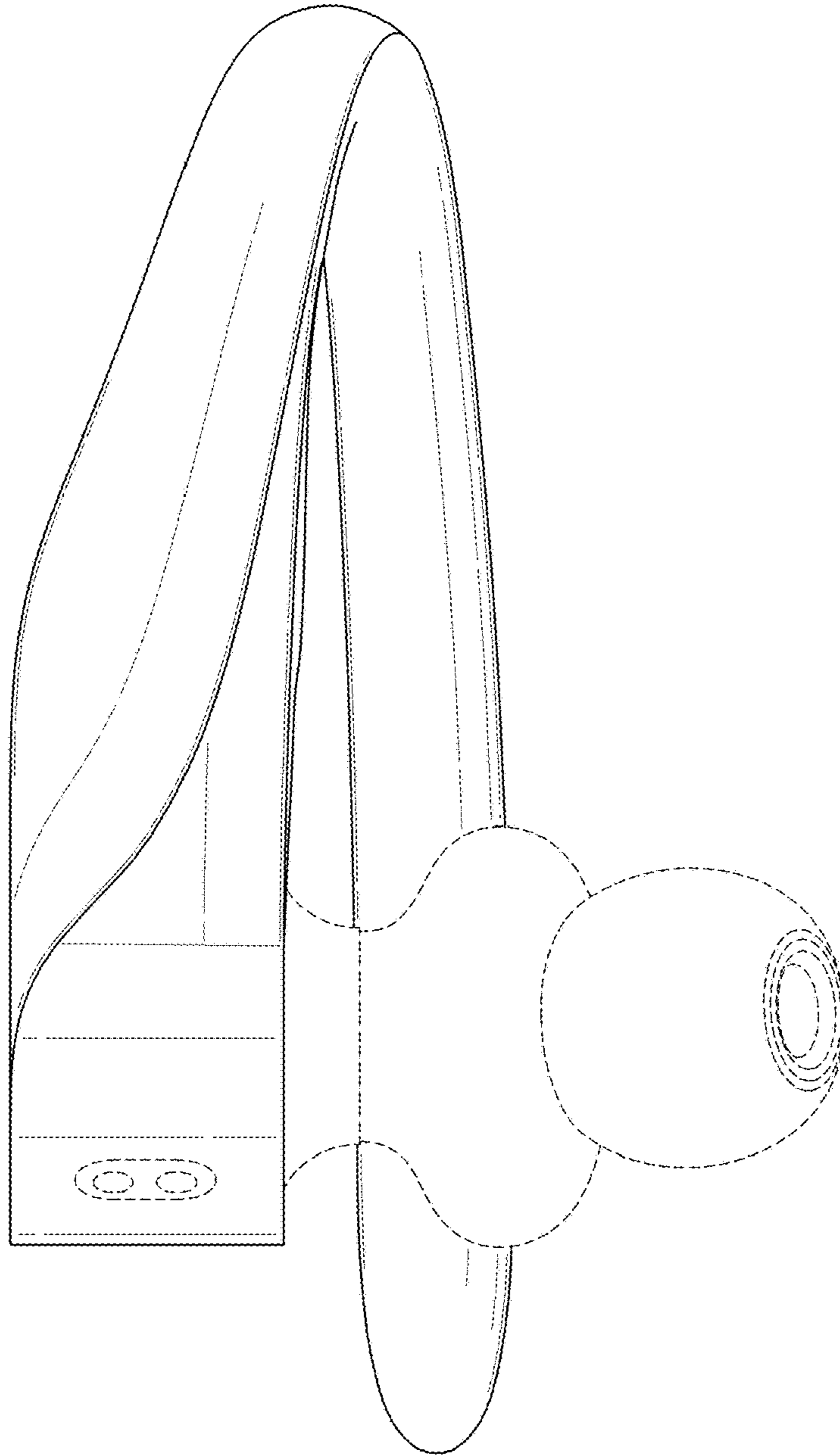


FIG. 6

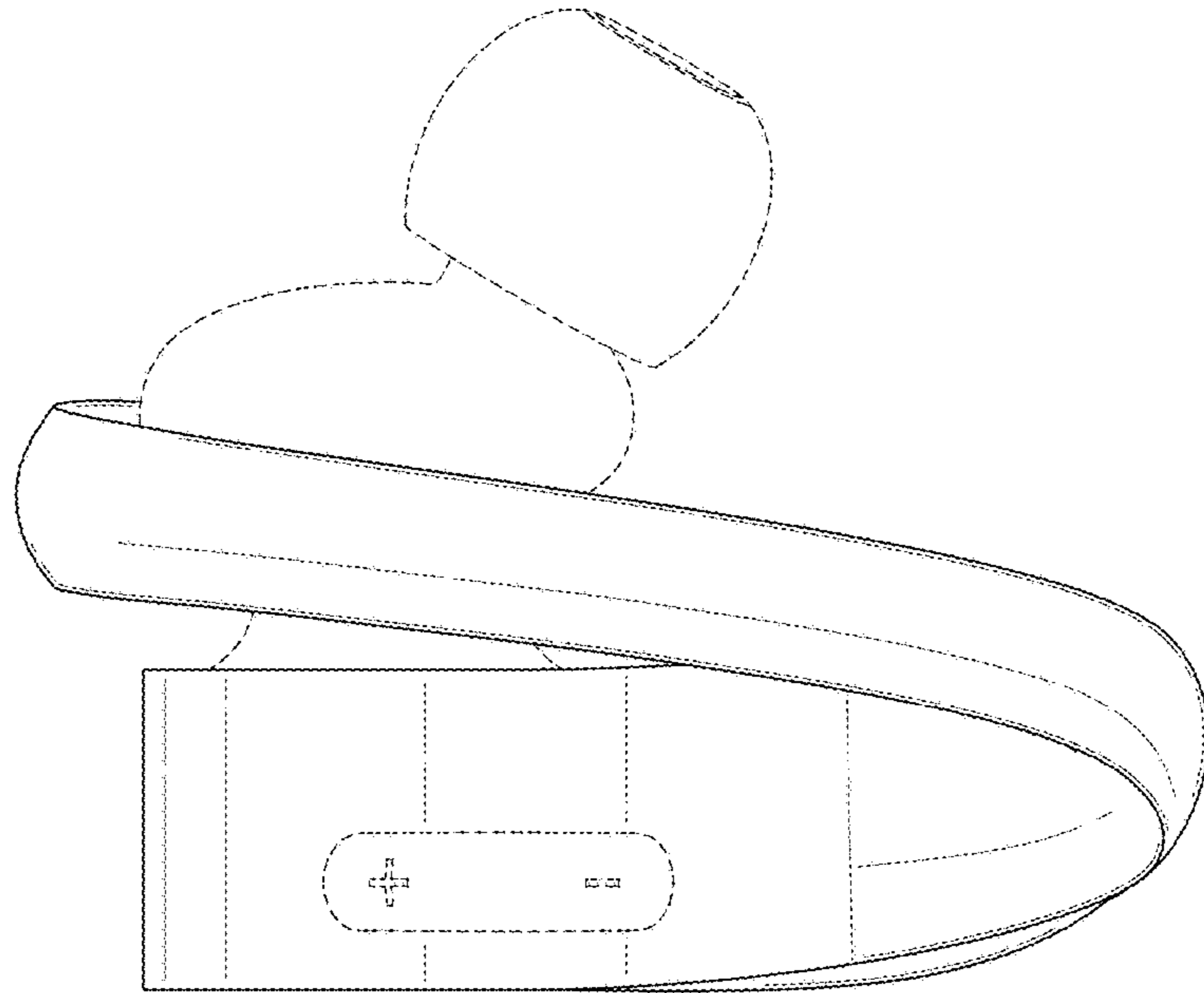


FIG. 7

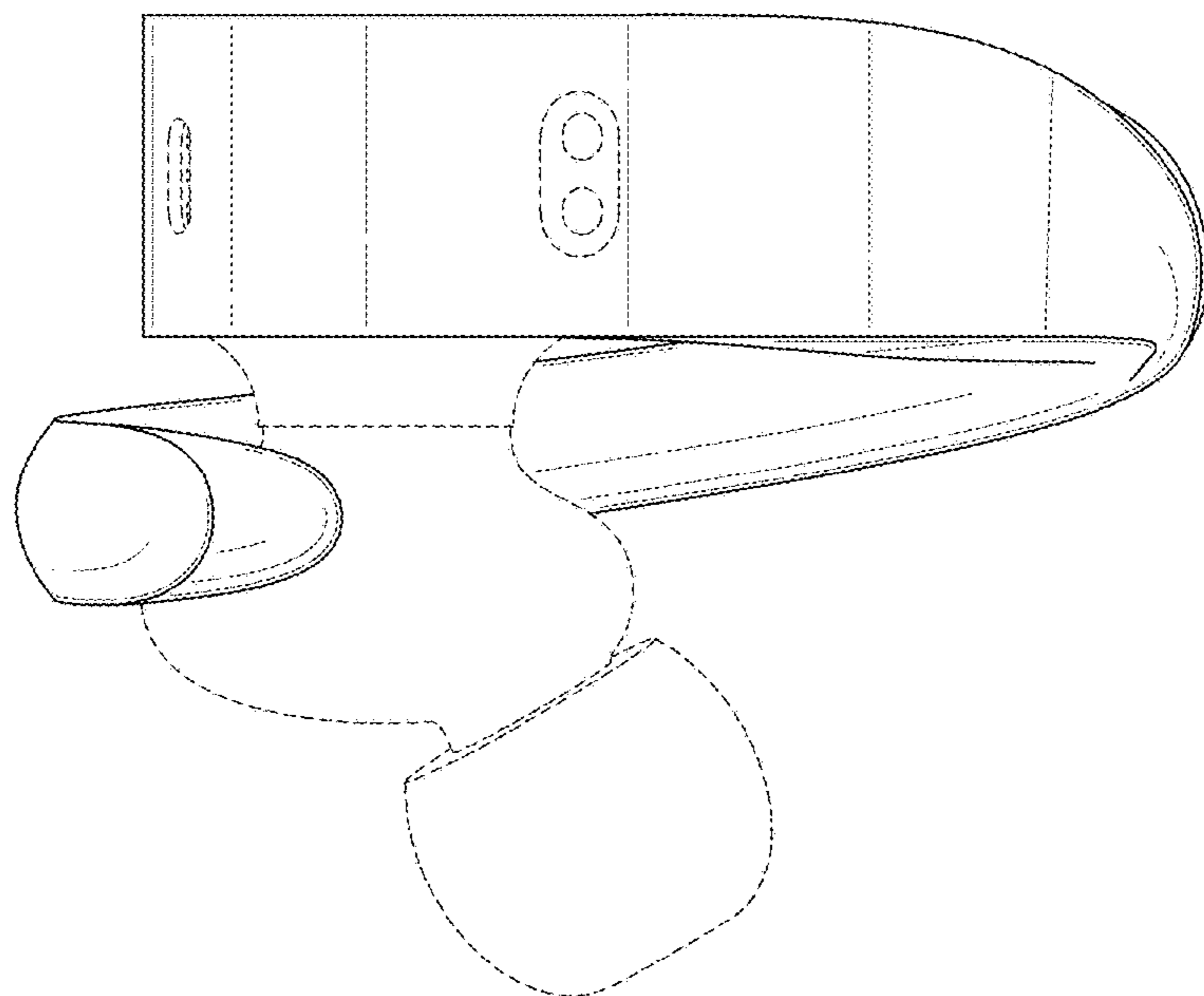


FIG. 8