



US00D863264S

(12) **United States Design Patent**  
**Zhang**

(10) **Patent No.:** **US D863,264 S**

(45) **Date of Patent:** **\*\* Oct. 15, 2019**

(54) **WIRELESS EARSET**

(71) Applicant: **Shuoling Zhang**, Shenzhen (CN)

(72) Inventor: **Shuoling Zhang**, Shenzhen (CN)

(\*\*) Term: **15 Years**

(21) Appl. No.: **29/654,427**

(22) Filed: **Jun. 25, 2018**

(51) **LOC (12) Cl.** ..... **14-01**

(52) **U.S. Cl.**  
USPC ..... **D14/223**

(58) **Field of Classification Search**  
USPC ..... D14/223, 205; D24/174; 128/864, 865,  
128/866; 181/129, 130, 135; 379/430,  
379/431; 381/380, 381, 374, 370;  
455/90.3, 575.1, 569.1  
CPC ..... H04R 1/10; H04R 25/00; H04R 1/1066;  
H04R 1/1016; H04R 5/033; H04R  
5/0335; H04R 1/105; H04R 1/1033  
See application file for complete search history.

(56) **References Cited**

**U.S. PATENT DOCUMENTS**

- 1,614,987 A \* 1/1927 Langenbeck ..... H04R 25/65  
181/135
- 2,474,135 A \* 6/1949 White ..... H04R 25/656  
381/381
- 6,101,260 A \* 8/2000 Jensen ..... H04M 1/05  
379/430
- D501,196 S \* 1/2005 Dyer ..... D14/205
- D506,462 S \* 6/2005 Han ..... D14/205
- D510,085 S \* 9/2005 Suzuki ..... D14/223
- D543,968 S \* 6/2007 Wong ..... D14/205
- D574,814 S \* 8/2008 Hammond ..... D14/205
- D575,278 S \* 8/2008 Guccione ..... D14/223
- D603,847 S \* 11/2009 Chung ..... D14/223
- 7,648,005 B2 \* 1/2010 Leong ..... A61F 11/08  
128/867
- D617,780 S \* 6/2010 Jaakkola ..... D14/223

- D625,297 S \* 10/2010 Tseng ..... D14/223
- D632,677 S \* 2/2011 Brown ..... D14/223
- D635,960 S \* 4/2011 Gondo ..... D14/223
- D641,008 S \* 7/2011 Lee ..... D14/223
- D645,458 S \* 9/2011 Silvestri ..... H04R 1/1016  
D14/223
- 8,265,328 B2 \* 9/2012 Milde ..... H04R 1/1066  
381/370
- D685,350 S \* 7/2013 Mogili ..... D14/223
- D686,191 S \* 7/2013 Schaal ..... D14/205
- D695,265 S \* 12/2013 Schaal ..... D14/205
- D695,266 S \* 12/2013 Schaal ..... D14/205
- D695,267 S \* 12/2013 Schaal ..... D14/205
- D695,719 S \* 12/2013 Burgett ..... D14/223
- D699,703 S \* 2/2014 Schaal ..... D14/205
- 8,737,669 B2 \* 5/2014 Monahan ..... H04R 1/1016  
381/380
- D710,333 S \* 8/2014 Davies ..... H04R 1/10  
D14/223
- 8,831,266 B1 \* 9/2014 Huang ..... H04R 1/1091  
381/380
- D715,253 S \* 10/2014 Lee ..... D14/205
- D718,744 S \* 12/2014 Thompson ..... D14/223

(Continued)

*Primary Examiner* — Paula Allen Greene

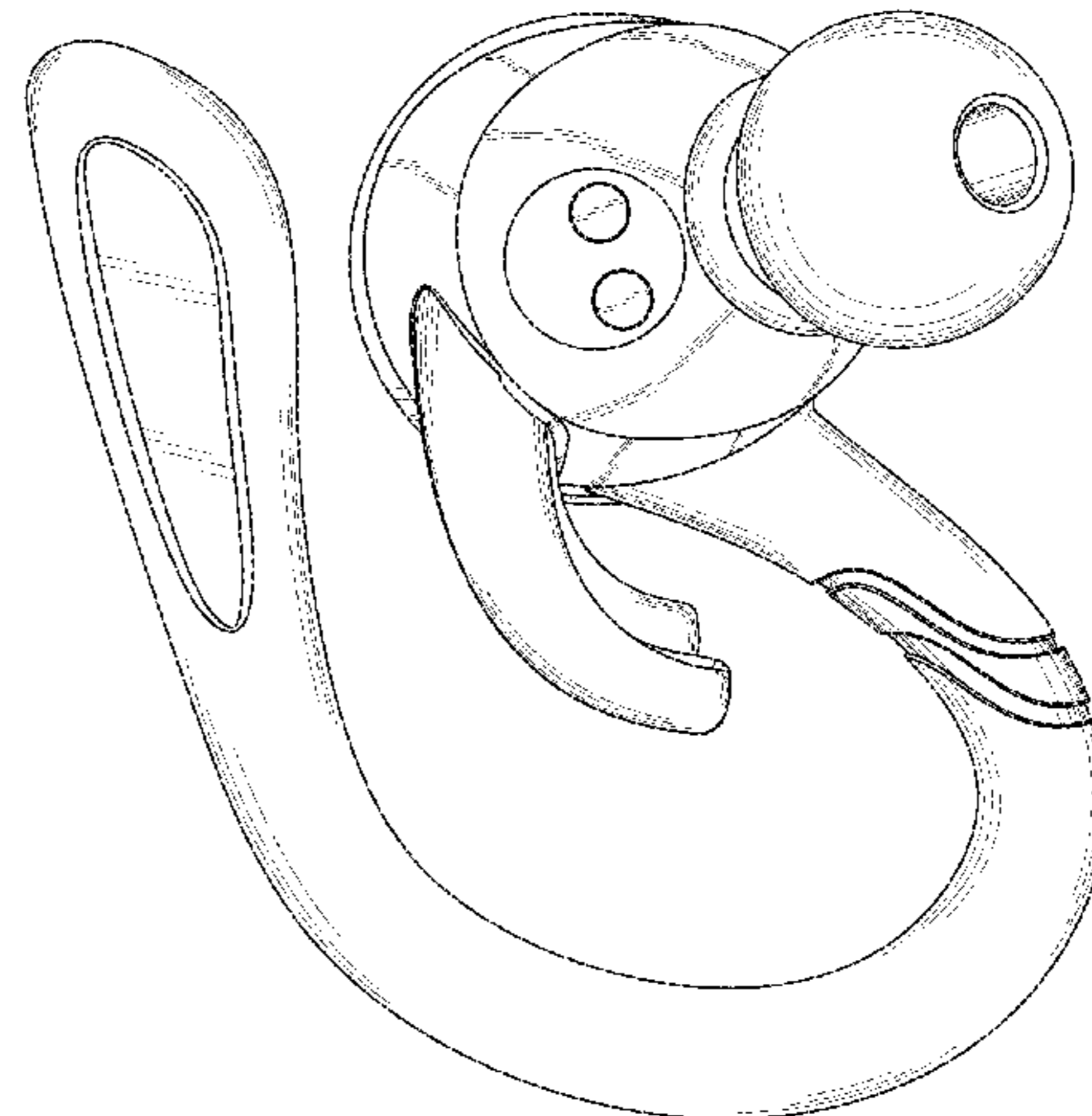
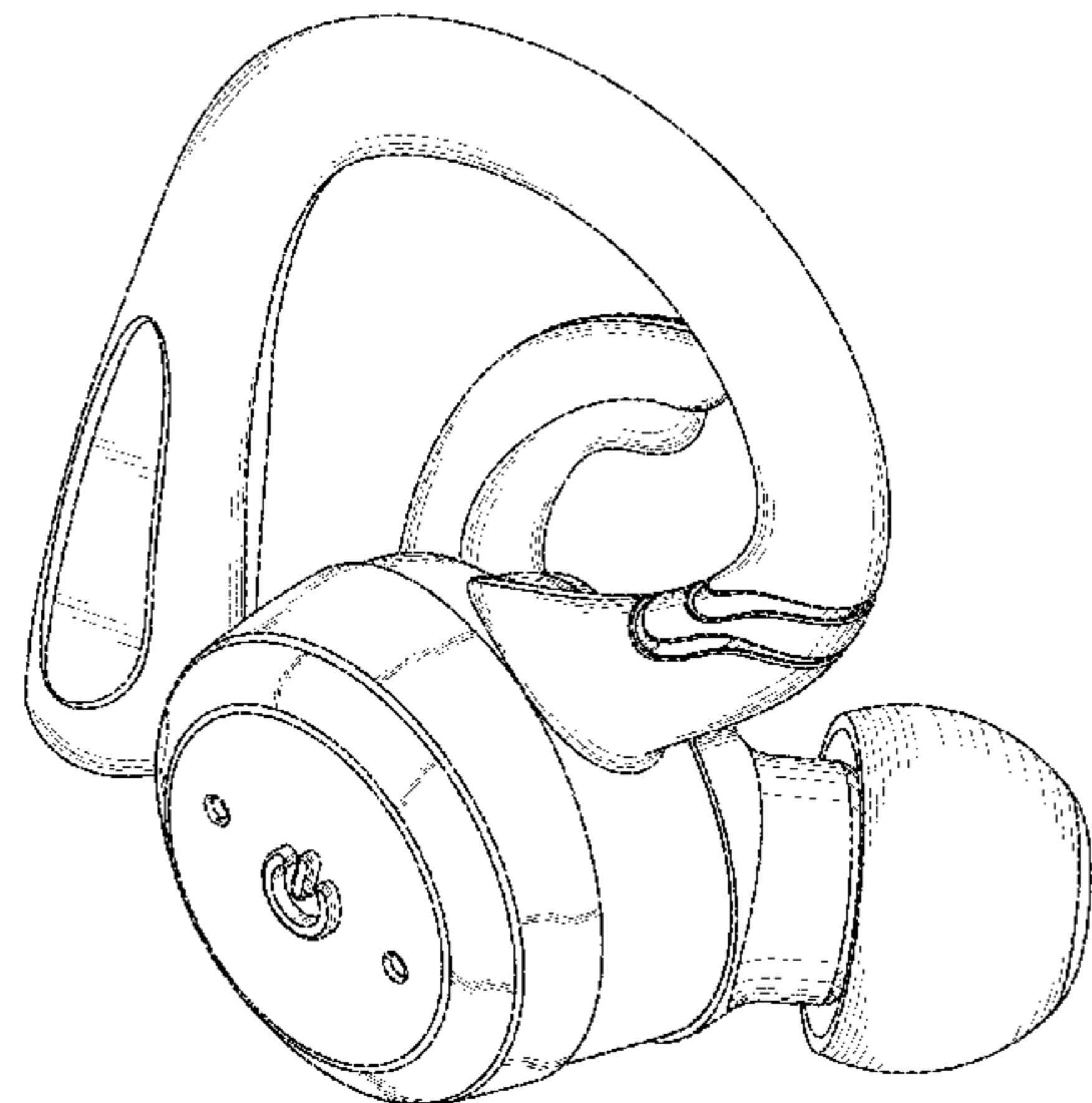
(57) **CLAIM**

The ornamental design for a wireless earset, as shown and described.

**DESCRIPTION**

FIG. 1 is a front perspective view of a wireless earset showing my new design;  
FIG. 2 is a front, bottom perspective view thereof;  
FIG. 3 is a rear, bottom perspective view thereof;  
FIG. 4 is a left side elevational view thereof;  
FIG. 5 is a right side elevational view thereof;  
FIG. 6 is a bottom plan view thereof; and,  
FIG. 7 is a top plan view thereof.

**1 Claim, 7 Drawing Sheets**



(56)

References Cited

U.S. PATENT DOCUMENTS

D727,871 S \* 4/2015 Orbach ..... D14/205  
 D727,873 S \* 4/2015 Schaal ..... D14/205  
 D730,867 S \* 6/2015 Park ..... D14/205  
 D731,999 S \* 6/2015 Cypress ..... D14/205  
 D740,255 S \* 10/2015 Samrelius ..... D14/206  
 D756,958 S \* 5/2016 Lee ..... D14/205  
 D756,959 S \* 5/2016 Lee ..... D14/205  
 D758,339 S \* 6/2016 Lee ..... D14/205  
 D763,224 S \* 8/2016 Silvestri ..... H04R 1/1016  
 D763,227 S \* 8/2016 Lee ..... D14/205  
 D763,822 S \* 8/2016 Lee ..... D14/205  
 D764,436 S \* 8/2016 Dryden ..... D14/205  
 D766,210 S \* 9/2016 Graylin ..... D14/205  
 D766,869 S \* 9/2016 Lee ..... D14/205  
 D768,600 S \* 10/2016 Chen ..... D14/205  
 D771,011 S \* 11/2016 Ott ..... H04R 1/1016  
 D771,013 S \* 11/2016 Yang ..... D14/205  
 D771,587 S \* 11/2016 Iwane ..... D14/205  
 D772,194 S \* 11/2016 Choe ..... D14/205  
 D772,195 S \* 11/2016 Lee ..... D14/205  
 D772,196 S \* 11/2016 Choi ..... D14/205  
 D772,843 S \* 11/2016 Lee ..... D14/205  
 D772,845 S \* 11/2016 Lim ..... D14/205  
 D773,439 S \* 12/2016 Walker ..... D14/205  
 D774,017 S \* 12/2016 Ahn ..... D14/205  
 D774,490 S \* 12/2016 Lin ..... D14/205  
 D775,610 S \* 1/2017 Nakajima ..... D14/223  
 D782,442 S \* 3/2017 Chen ..... D14/205  
 D793,360 S \* 8/2017 Birger ..... D14/206  
 D795,225 S \* 8/2017 Sumii ..... D14/223

D800,703 S \* 10/2017 Vaclavik ..... D14/223  
 D803,816 S \* 11/2017 Bolster ..... D14/223  
 D809,486 S \* 2/2018 Arimoto ..... D14/223  
 D809,487 S \* 2/2018 Lee ..... D14/223  
 9,949,014 B2 \* 4/2018 Cramer ..... H04R 1/1041  
 D816,637 S \* 5/2018 Hardi ..... D14/205  
 D830,337 S \* 10/2018 Yan ..... D14/206  
 D842,844 S \* 3/2019 Li ..... D14/223  
 D845,282 S \* 4/2019 Chen ..... D14/223  
 10,250,964 B2 \* 4/2019 McGarry ..... H04R 1/1016  
 D852,784 S \* 7/2019 Cramer ..... H04R 1/1041  
 D853,360 S \* 7/2019 Kawabata ..... D14/223  
 2007/0104333 A1 \* 5/2007 Kuo ..... H04R 1/1025  
 2009/0274335 A1 \* 11/2009 Cheung ..... H04R 5/0335  
 2011/0170702 A1 \* 7/2011 Bays ..... H04R 5/0335  
 2011/0293130 A1 \* 12/2011 Huang ..... H04R 1/1016  
 2012/0134524 A1 \* 5/2012 Peng ..... H04R 1/1075  
 2012/0163617 A1 \* 6/2012 Silvestri ..... H04R 1/1016  
 2013/0010997 A1 \* 1/2013 Tanaka ..... A61B 5/01  
 2014/0185837 A1 \* 7/2014 Kunimoto ..... H04R 1/1075  
 2016/0037248 A1 \* 2/2016 Cheng ..... H04R 1/105  
 2016/0073186 A1 \* 3/2016 Searl ..... H04R 1/1016  
 2017/0105679 A1 \* 4/2017 Gil ..... A61B 5/02055

\* cited by examiner

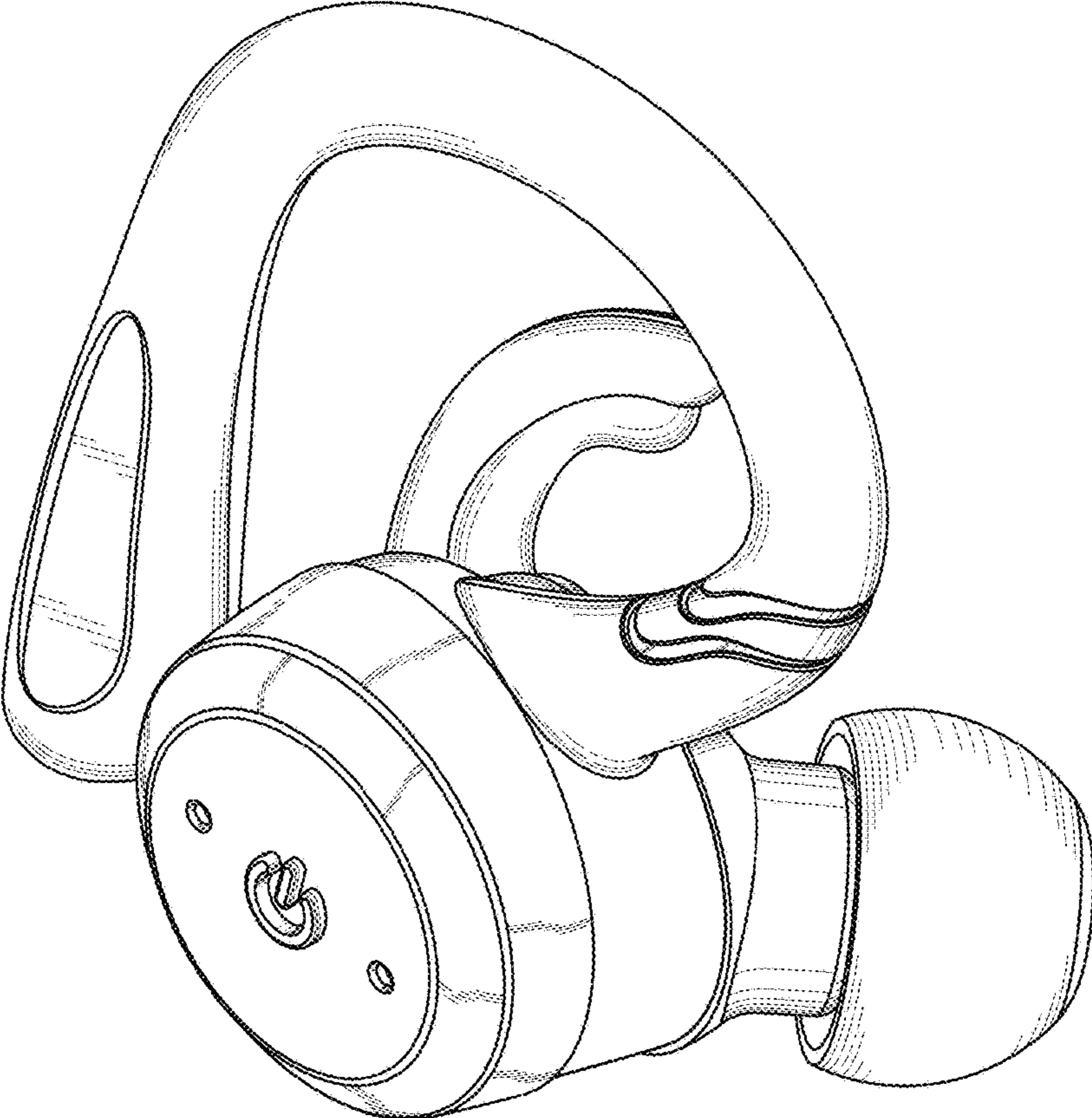


FIG.1



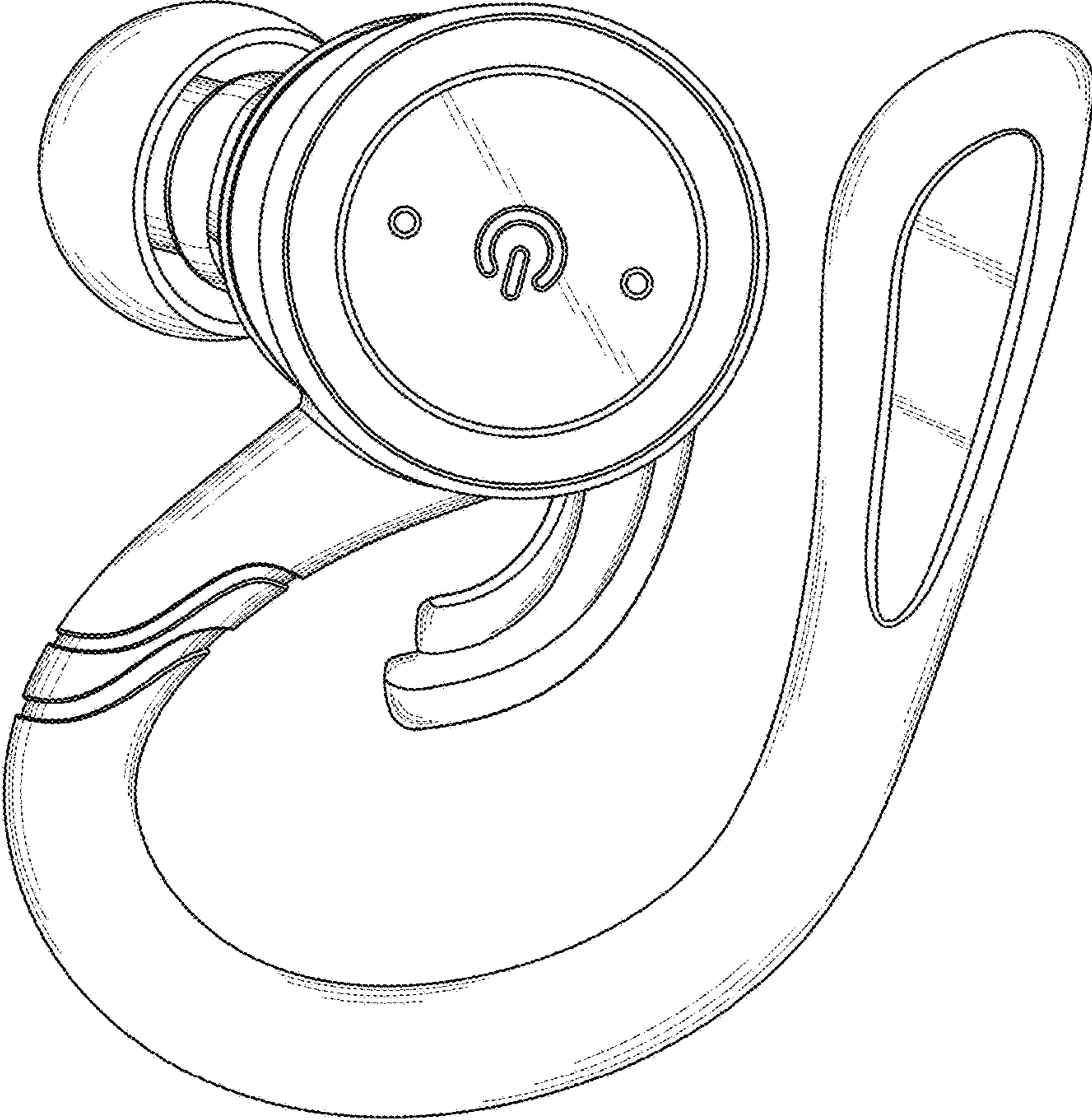


FIG.2

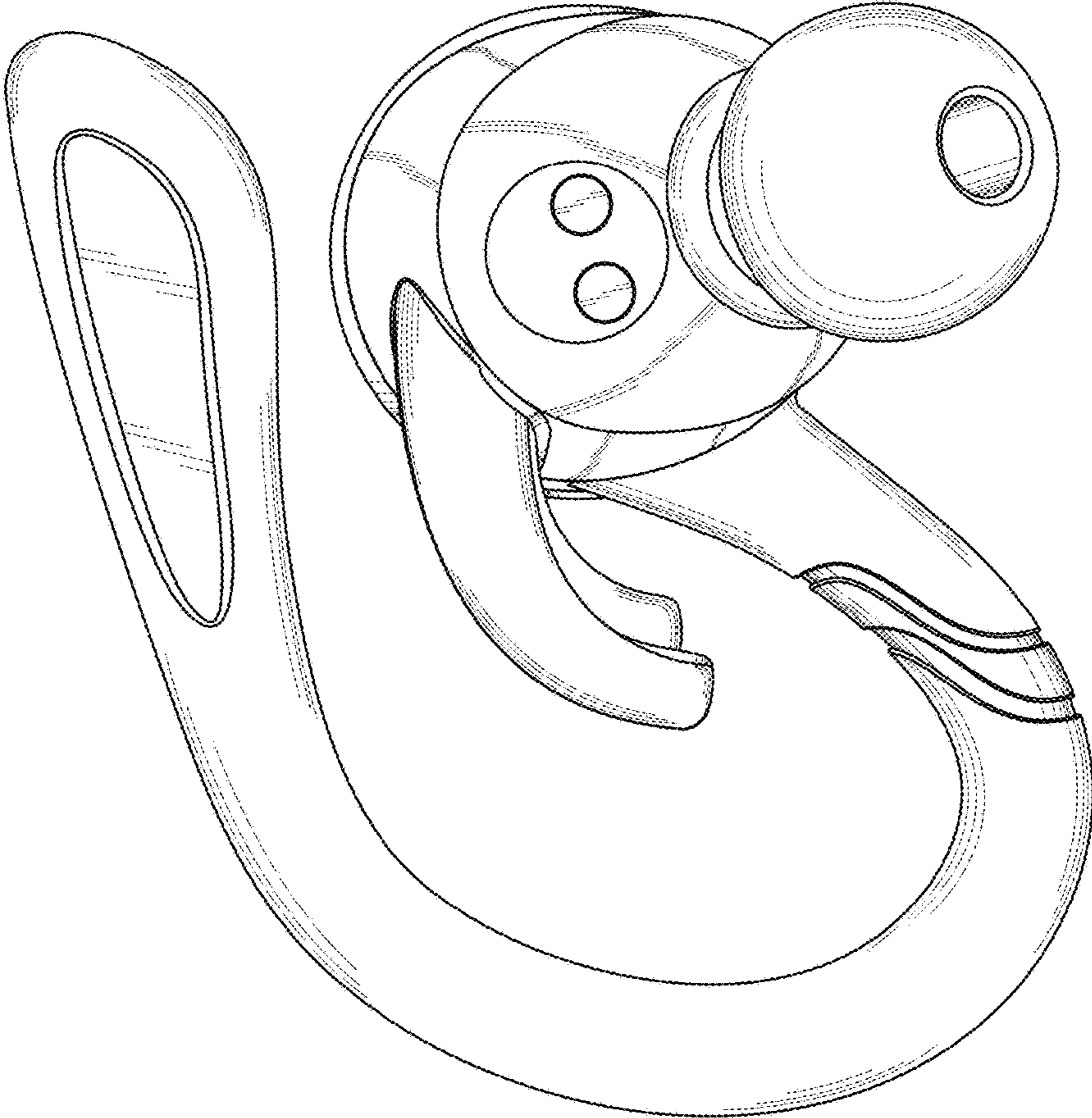


FIG.3

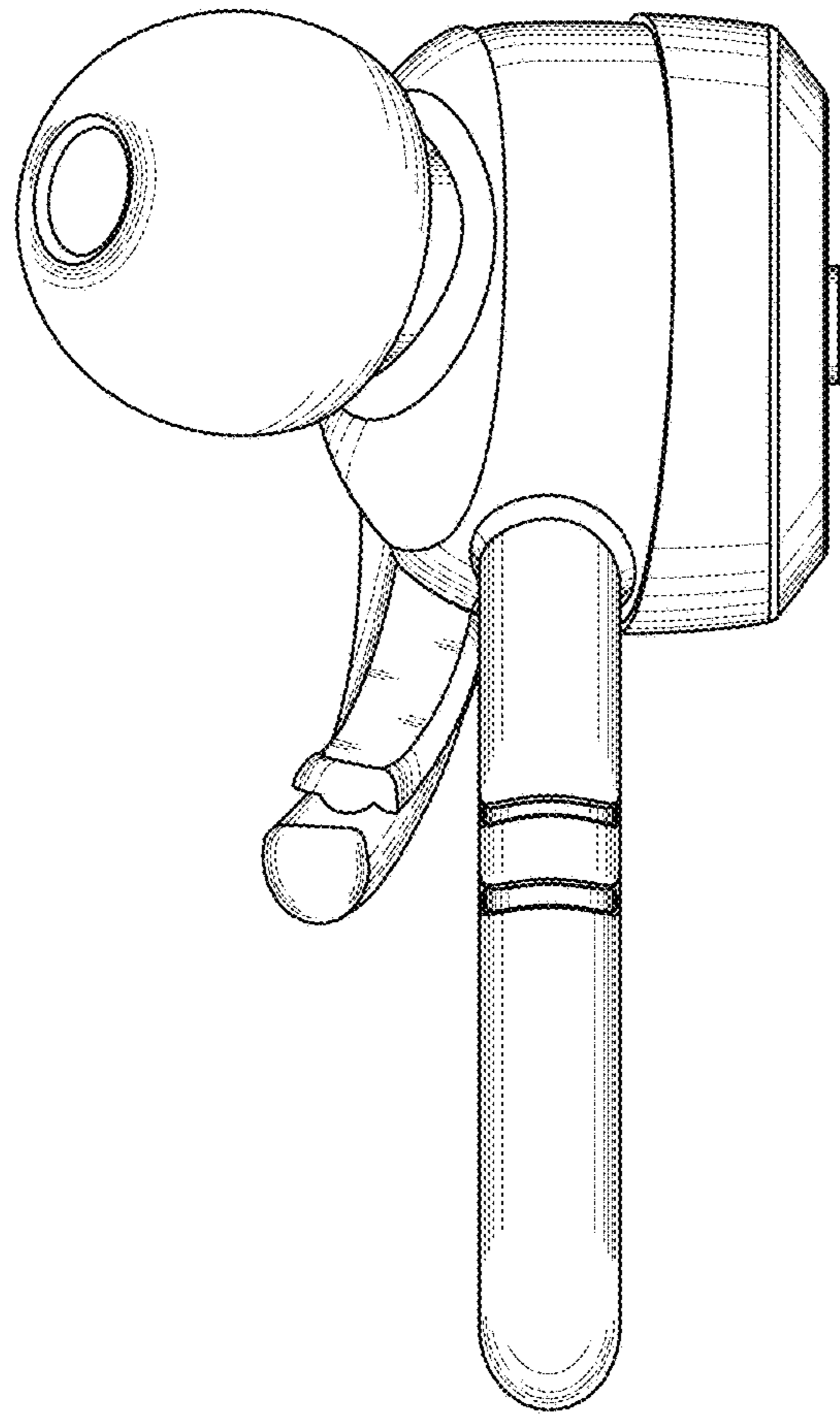


FIG.4

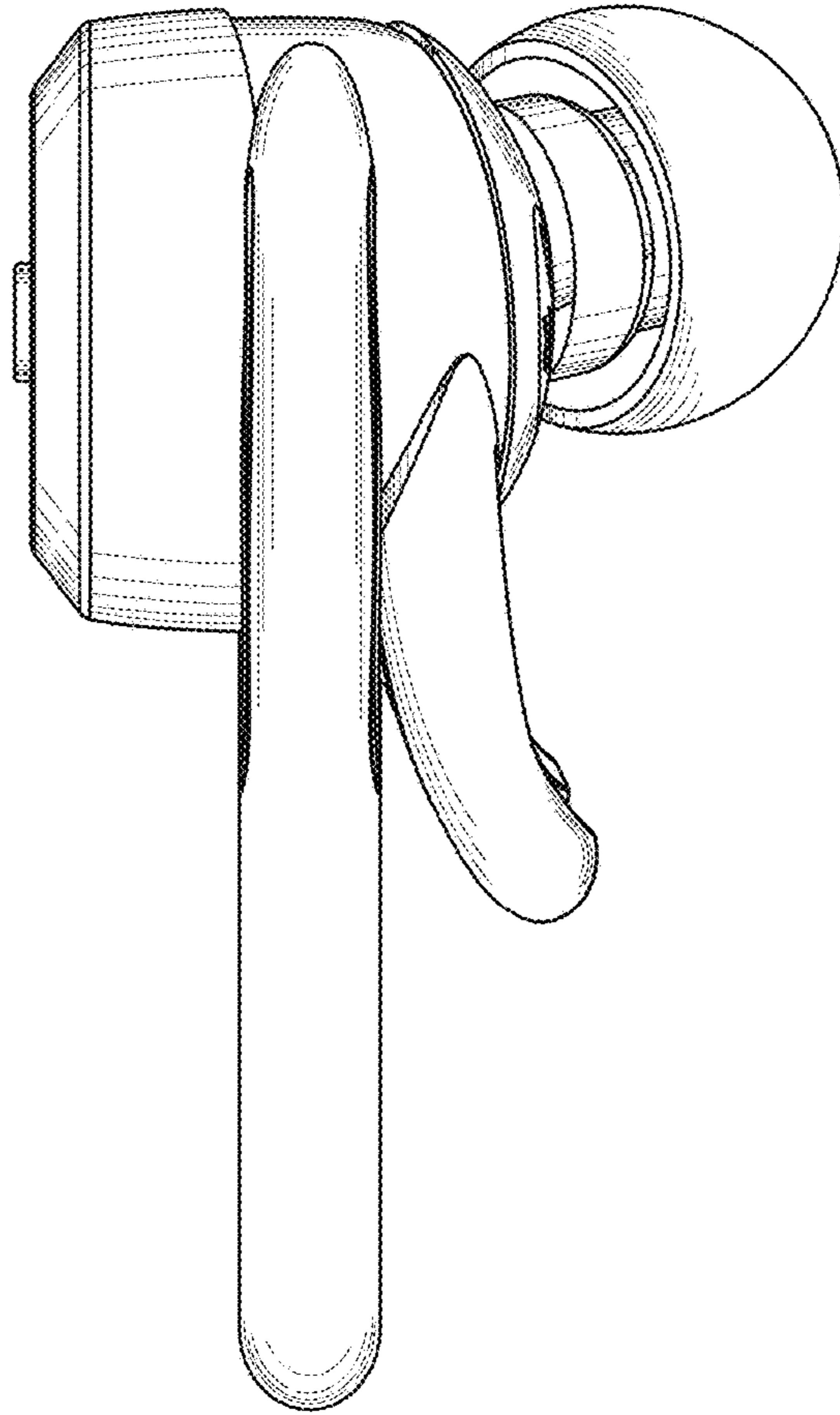


FIG.5

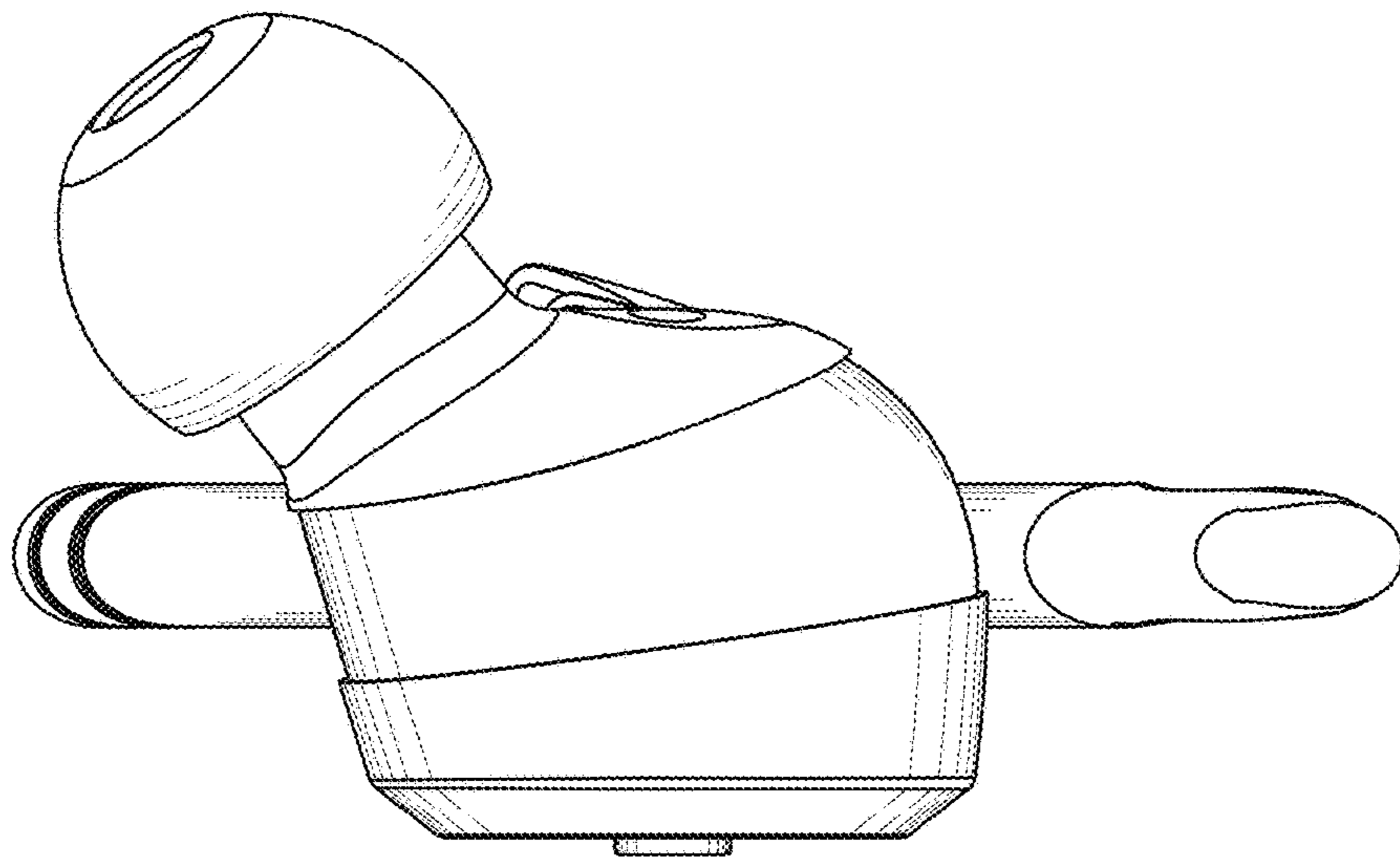


FIG.6



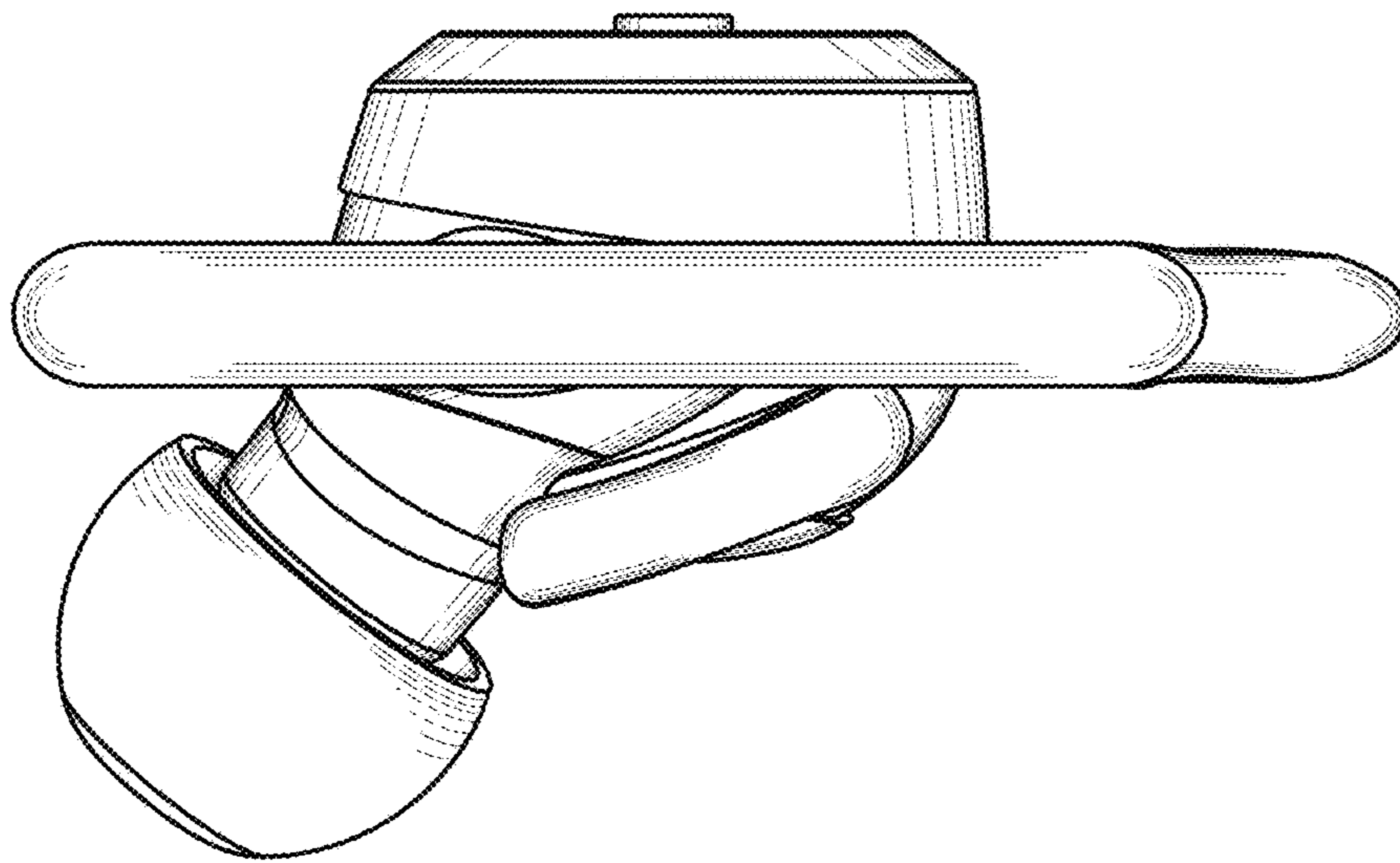


FIG.7