



US00D863263S

(12) **United States Design Patent**  
**Yu**

(10) **Patent No.:** **US D863,263 S**  
(45) **Date of Patent:** **\*\* Oct. 15, 2019**

- (54) **EARPHONE**
- (71) Applicant: **Yanzhu Yu**, Xiangyang (CN)
- (72) Inventor: **Yanzhu Yu**, Xiangyang (CN)
- (\*\*) Term: **15 Years**
- (21) Appl. No.: **29/653,765**
- (22) Filed: **Jun. 18, 2018**
- (51) **LOC (12) Cl.** ..... **14-01**
- (52) **U.S. Cl.**  
USPC ..... **D14/223**
- (58) **Field of Classification Search**  
USPC ..... D14/223, 205; D24/174; 128/865, 866,  
128/867; 181/129, 130, 135; 379/430,  
379/431; 381/380, 381, 370, 74, 322,  
381/324, 328; 455/90.3, 575.1, 569.1  
CPC ..... H04R 1/10; H04R 25/00; H04R 1/1066;  
H04R 1/1016; H04R 5/033; H04R  
5/0335; H04R 25/02; H04R 1/105; H04R  
1/1083; A61F 11/08  
See application file for complete search history.

(56) **References Cited**

**U.S. PATENT DOCUMENTS**

- D215,675 S \* 10/1969 Yran ..... D14/195
- 3,598,928 A \* 8/1971 Hickox ..... H04R 25/60  
381/324
- 3,821,647 A \* 6/1974 Minasian ..... H03D 1/10  
455/269
- D236,988 S \* 9/1975 Walters ..... D14/223
- 3,983,336 A \* 9/1976 Malek ..... H04R 25/402  
381/313
- 4,069,400 A \* 1/1978 Johanson ..... H04R 25/60  
381/322
- 4,375,016 A \* 2/1983 Harada ..... H04R 25/656  
181/135
- 4,457,396 A \* 7/1984 James ..... H04R 1/345  
181/129

- 4,539,708 A \* 9/1985 Norris ..... H04B 1/088  
455/100
  - 4,584,437 A \* 4/1986 Giannetti ..... H04R 25/65  
381/322
  - 4,585,089 A \* 4/1986 Topholm ..... H04R 25/65  
181/135
  - D287,764 S \* 1/1987 Topholm ..... D24/174
  - D287,765 S \* 1/1987 Topholm ..... D24/174
  - 4,634,815 A \* 1/1987 Marquis ..... H04R 25/602  
381/322
  - D295,173 S \* 4/1988 Oren ..... D14/168
  - D297,979 S \* 10/1988 Voroba ..... D24/174
  - 5,054,079 A \* 10/1991 Frielingsdorf ..... H04R 1/46  
379/430
  - D321,881 S \* 11/1991 Hopewell ..... D14/192
- (Continued)

**FOREIGN PATENT DOCUMENTS**

- EM 003028638-0002 \* 3/2016
- EM 006383576-0003 \* 4/2019

*Primary Examiner* — Paula Allen Greene

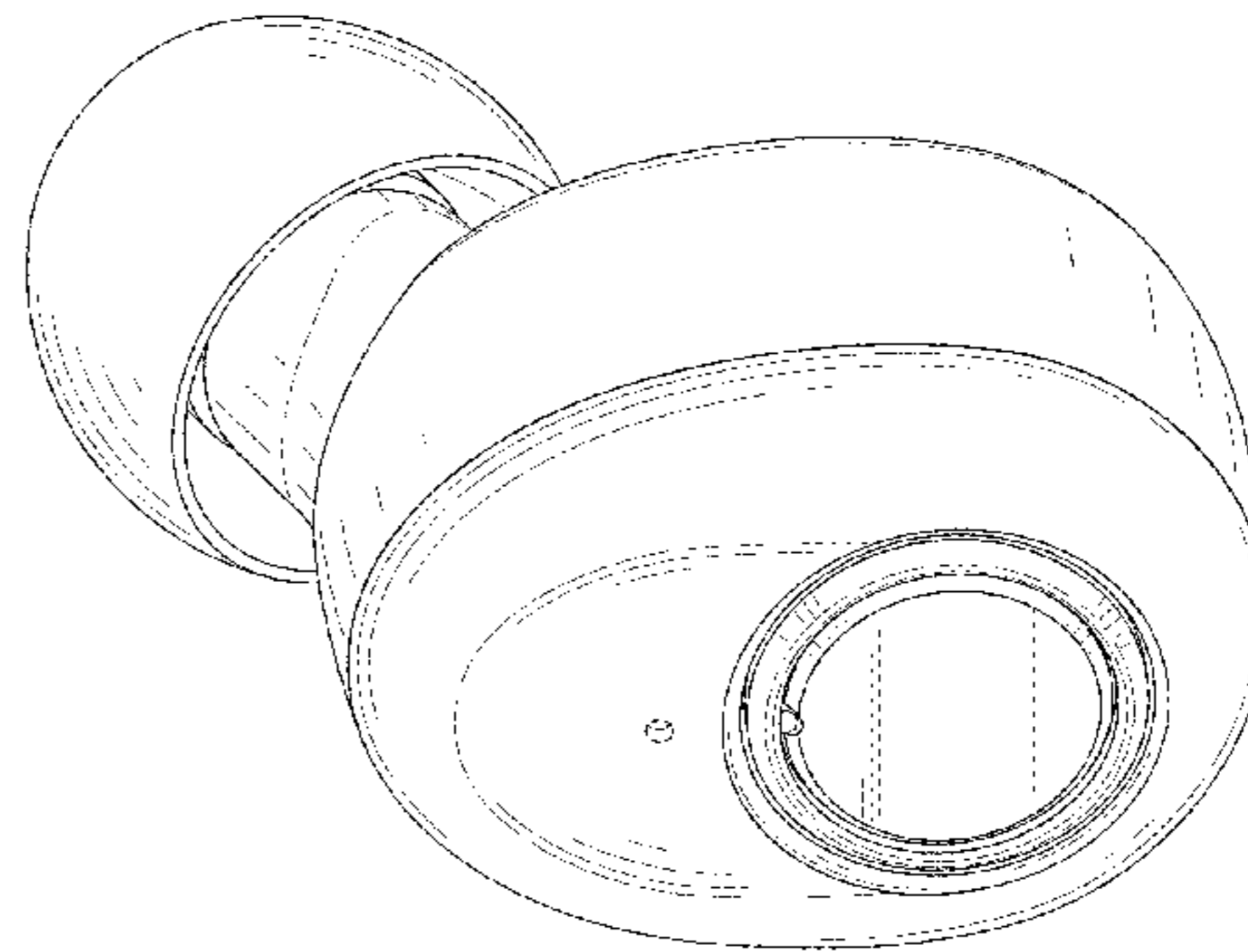
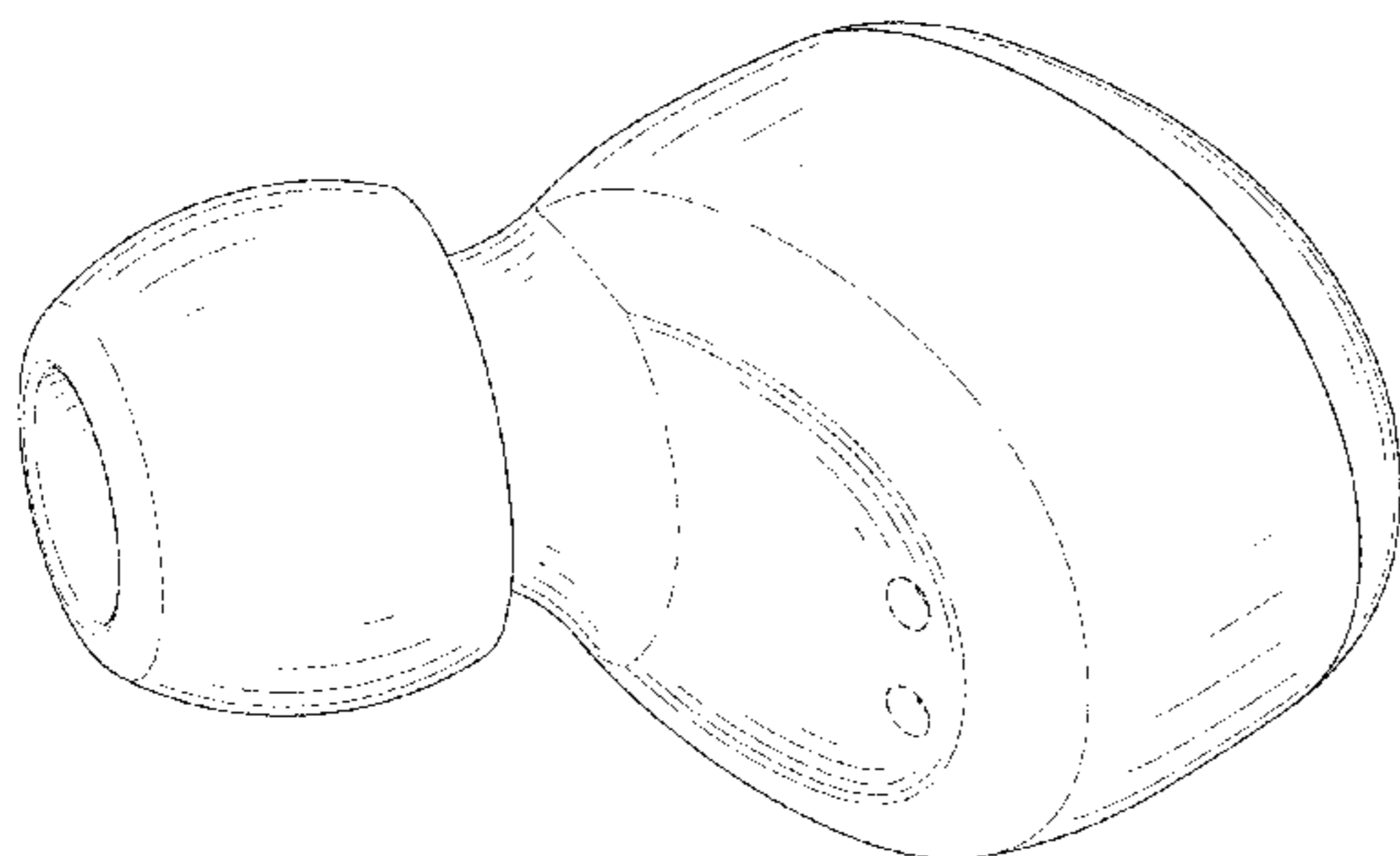
(57) **CLAIM**

The ornamental design for an earphone, as shown and described.

**DESCRIPTION**

FIG. 1 is a perspective view of an earphone showing my new design;  
 FIG. 2 is another perspective view thereof;  
 FIG. 3 is a front elevational view thereof;  
 FIG. 4 is a rear elevational view thereof;  
 FIG. 5 is a left side elevational view thereof;  
 FIG. 6 is a right side elevational view thereof;  
 FIG. 7 is a top plan view thereof; and,  
 FIG. 8 is a bottom plan view thereof.  
 The broken lines in the drawings are for the purpose of illustrating portions of the earphone that form no part of the claimed design.

**1 Claim, 8 Drawing Sheets**



(56)

References Cited

U.S. PATENT DOCUMENTS

5,201,008 A \* 4/1993 Arndt ..... H04R 25/602  
381/322  
D338,530 S \* 8/1993 Oberlander ..... D24/174  
D348,066 S \* 6/1994 Lucey ..... D14/205  
5,748,743 A \* 5/1998 Weeks ..... H04R 25/654  
381/312  
5,784,471 A \* 7/1998 Bebenroth ..... H04R 25/656  
381/322  
D397,796 S \* 9/1998 Yabe ..... D24/174  
D417,465 S \* 12/1999 Kreitz ..... D14/192  
6,122,388 A \* 9/2000 Feldman ..... H04R 25/604  
381/322  
D473,217 S \* 4/2003 Rivera ..... D14/223  
D477,593 S \* 7/2003 Komiyama ..... D14/223  
D477,822 S \* 7/2003 Komiyama ..... D14/223  
D481,709 S \* 11/2003 Solderits ..... D14/223  
6,836,676 B2 \* 12/2004 Lloyd ..... H04M 1/6041  
379/420.01  
D505,411 S \* 5/2005 Sakai ..... D14/192  
D514,095 S \* 1/2006 Wilson ..... D14/223  
D519,108 S \* 4/2006 Yang ..... D14/223  
7,120,267 B2 \* 10/2006 Ito ..... H04M 1/05  
381/375  
D579,006 S \* 10/2008 Kim ..... D14/223  
D588,111 S \* 3/2009 Komiyama ..... D14/223  
D603,380 S \* 11/2009 Hutchieson ..... D14/223  
D636,492 S \* 4/2011 Aquilina ..... D24/174  
D637,997 S \* 5/2011 Peller ..... D14/205  
D637,999 S \* 5/2011 Brunner ..... D14/205  
D641,010 S \* 7/2011 Kwon ..... D14/223  
D643,833 S \* 8/2011 Lee ..... D14/223  
D652,817 S \* 1/2012 Lee ..... D14/205  
D652,822 S \* 1/2012 Lee ..... D14/223  
D654,056 S \* 2/2012 Hoggarth ..... D14/205  
D666,581 S \* 9/2012 Perez ..... D14/223  
8,275,166 B2 \* 9/2012 Wu ..... H04R 25/00  
381/328  
D685,764 S \* 7/2013 Coulter ..... D14/205  
D686,597 S \* 7/2013 Lee ..... D14/223  
D697,058 S \* 1/2014 Thompson ..... D14/205  
D699,226 S \* 2/2014 Yoon ..... D14/206

8,776,801 B2 \* 7/2014 McIntosh ..... A61F 11/08  
128/864  
D711,356 S \* 8/2014 Yang ..... D14/223  
D712,882 S \* 9/2014 Wang ..... D14/223  
D719,139 S \* 12/2014 Henry ..... D14/223  
D719,550 S \* 12/2014 Yang ..... D14/223  
D725,082 S \* 3/2015 Palmborg ..... D14/223  
8,983,108 B2 \* 3/2015 Ho ..... H04R 1/1016  
181/135  
D726,145 S \* 4/2015 Hsieh ..... D14/205  
D727,871 S \* 4/2015 Orbach ..... D14/205  
D728,107 S \* 4/2015 Torres Martin ..... D24/174  
D733,102 S \* 6/2015 Palmborg ..... D14/223  
D733,103 S \* 6/2015 Jeong ..... D14/224  
9,087,506 B1 \* 7/2015 Kraft ..... G10L 21/0232  
9,131,308 B2 \* 9/2015 Kraft ..... G10L 21/0232  
D742,861 S \* 11/2015 Miyake ..... D14/223  
9,198,800 B2 \* 12/2015 Killion ..... H04R 1/1041  
D764,445 S \* 8/2016 Czaniecki ..... D14/223  
D773,032 S \* 11/2016 Palmborg ..... D24/106  
D777,710 S \* 1/2017 Palmborg ..... D14/223  
D781,269 S \* 3/2017 Choe ..... D14/223  
D782,997 S \* 4/2017 Shin ..... D14/205  
D782,998 S \* 4/2017 Shin ..... D14/205  
D795,224 S \* 8/2017 Valenzuela ..... D14/223  
D798,843 S \* 10/2017 Valenzuela ..... D14/223  
D806,879 S \* 1/2018 Horbinski ..... D24/174  
D810,054 S \* 2/2018 Yuan ..... D14/223  
D817,309 S \* 5/2018 Czaniecki ..... D14/223  
10,178,464 B2 \* 1/2019 Hussein ..... A61F 11/08  
D841,626 S \* 2/2019 Tang ..... D14/223  
D842,844 S \* 3/2019 Li ..... D14/223  
D845,932 S \* 4/2019 Lu ..... D14/223  
D846,532 S \* 4/2019 Xiao ..... D14/223  
D852,783 S \* 7/2019 Hueber ..... D14/223  
D853,359 S \* 7/2019 Guo ..... D14/223  
2005/0238192 A1 \* 10/2005 Ford ..... H04R 25/654  
381/322  
2009/0304220 A1 \* 12/2009 Fujikura ..... H04R 1/1091  
381/380  
2012/0114160 A1 \* 5/2012 Lin ..... H04R 1/1091  
381/380  
2013/0259286 A1 \* 10/2013 Chung ..... H04R 1/1016  
381/380  
2017/0026738 A1 \* 1/2017 Tang ..... H04R 1/1091

\* cited by examiner

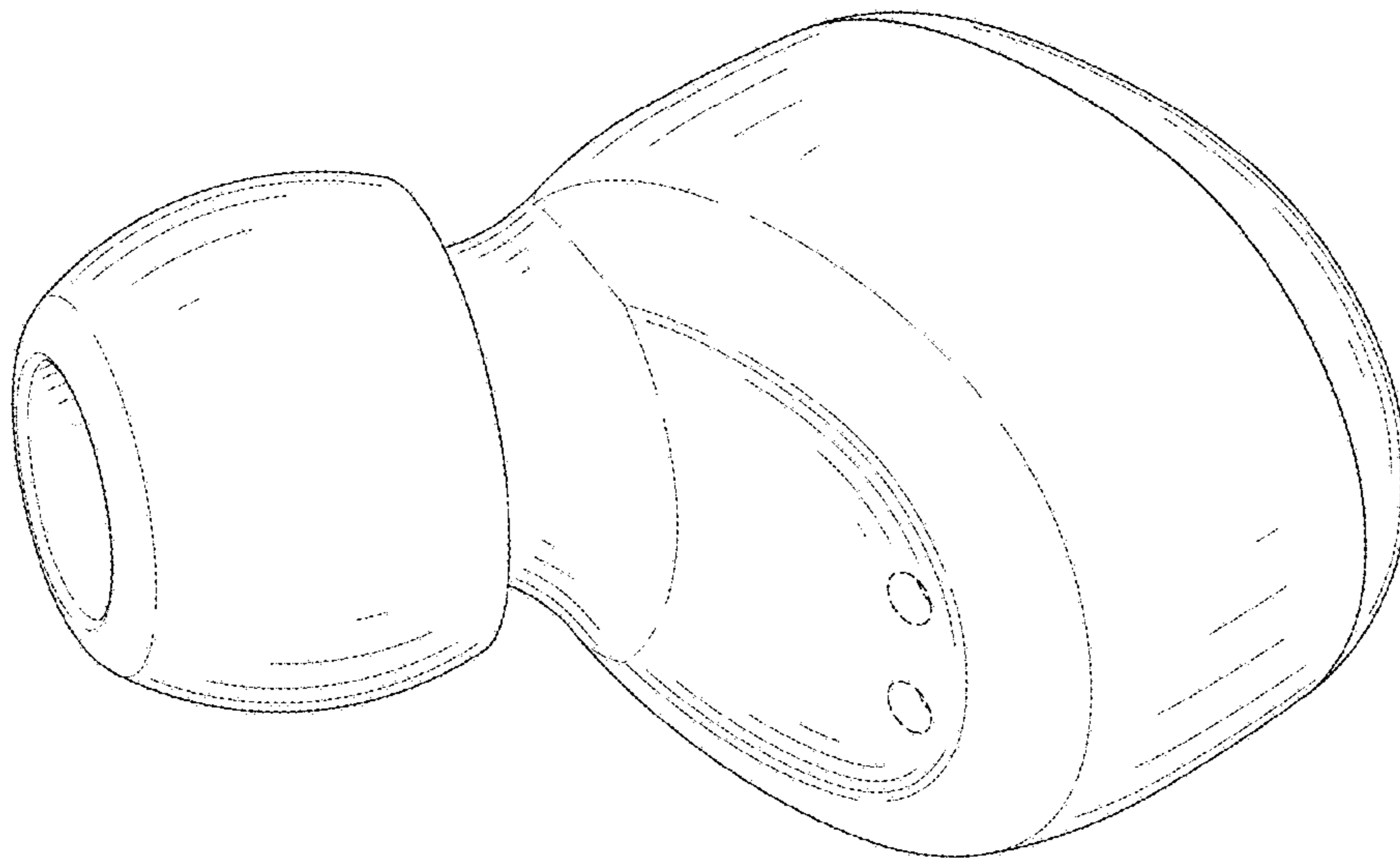


FIG. 1

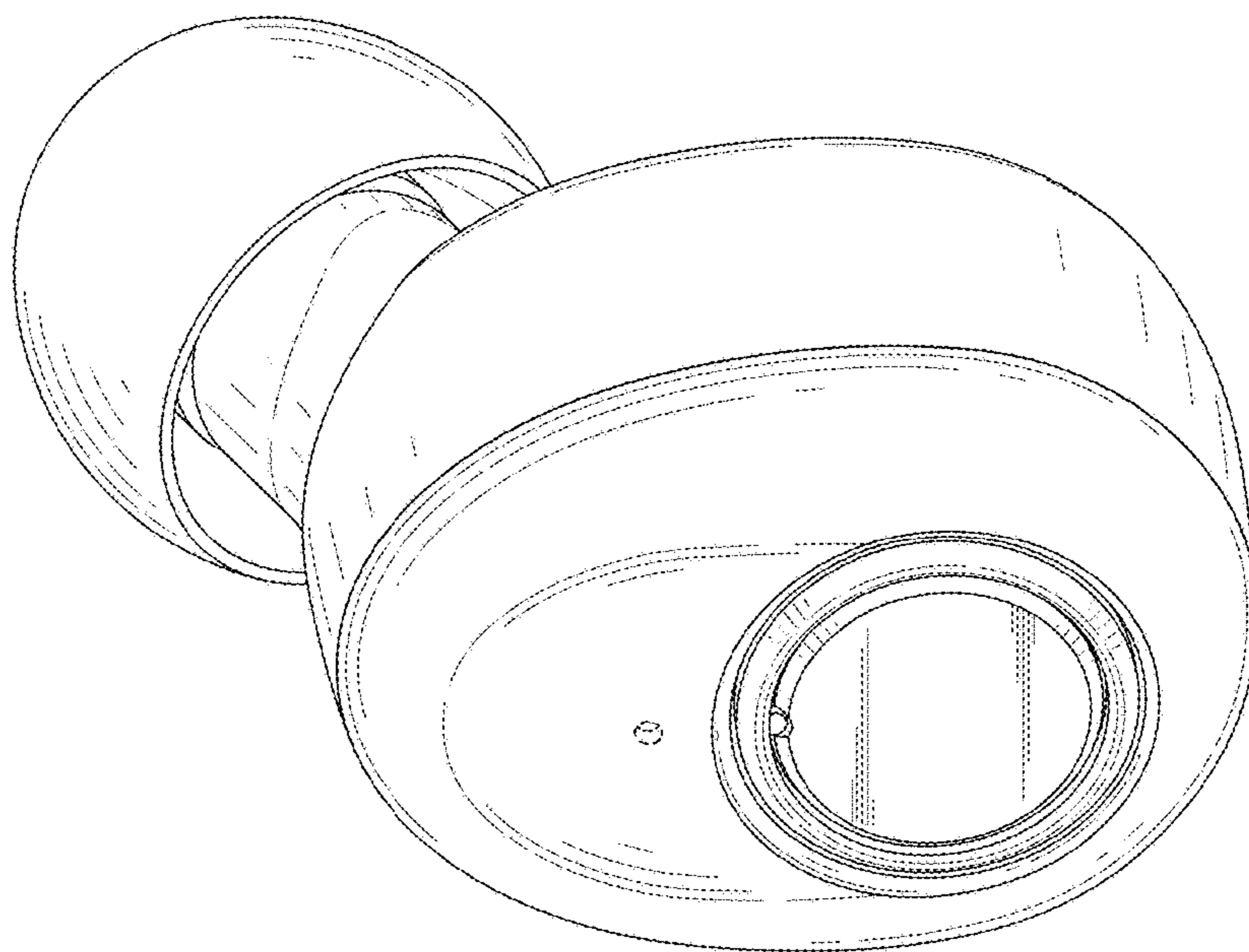


FIG. 2

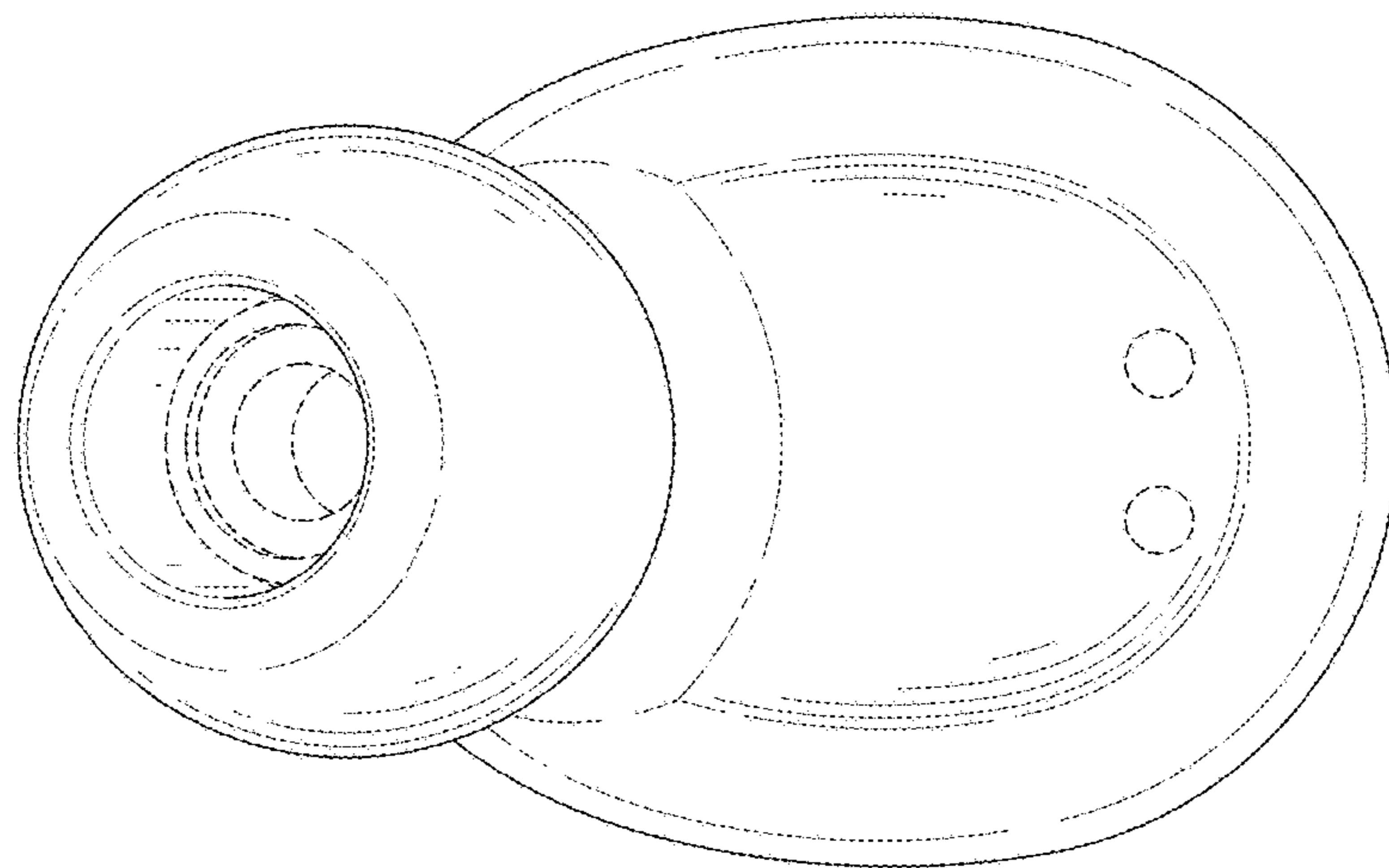


FIG. 3

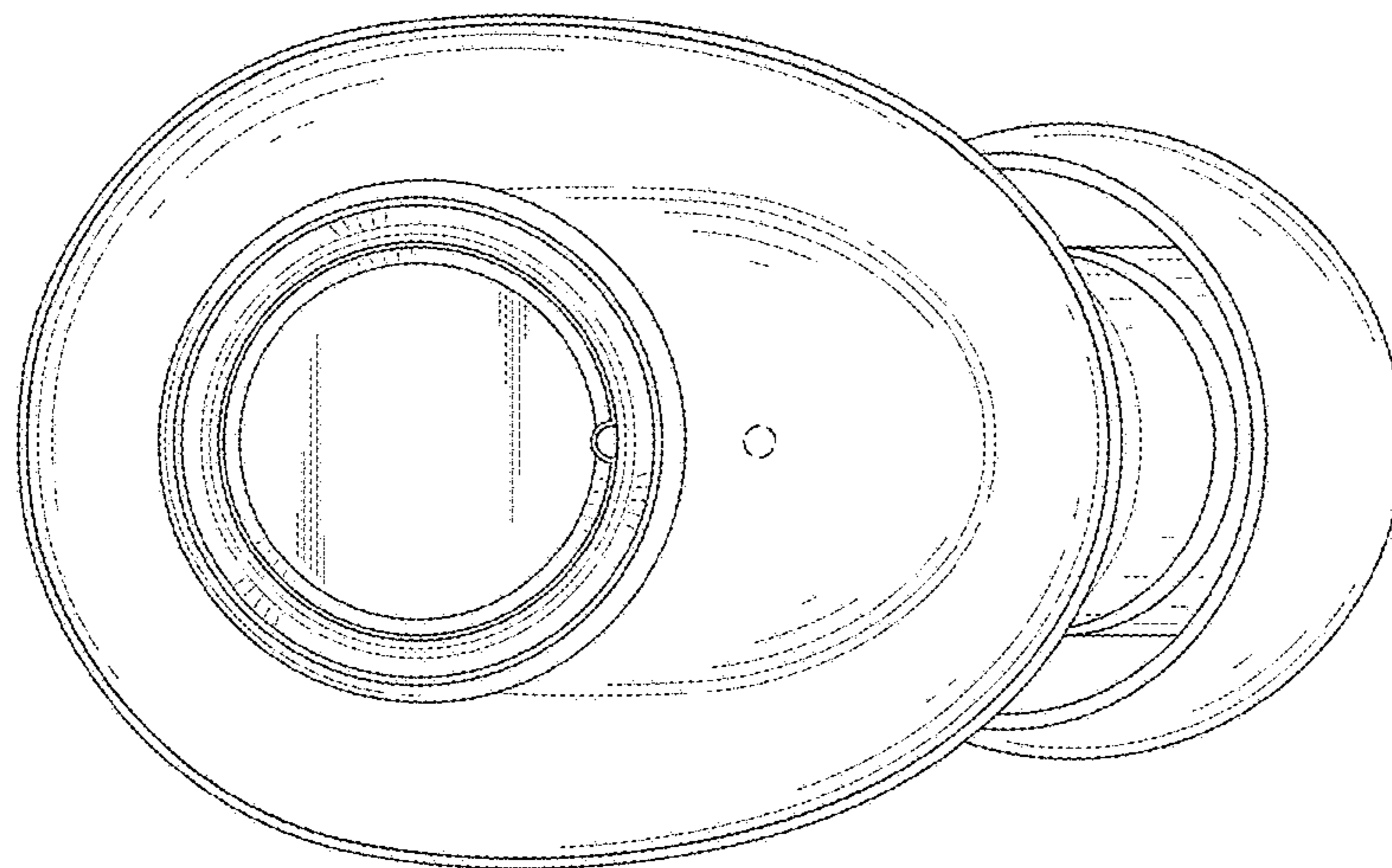


FIG. 4

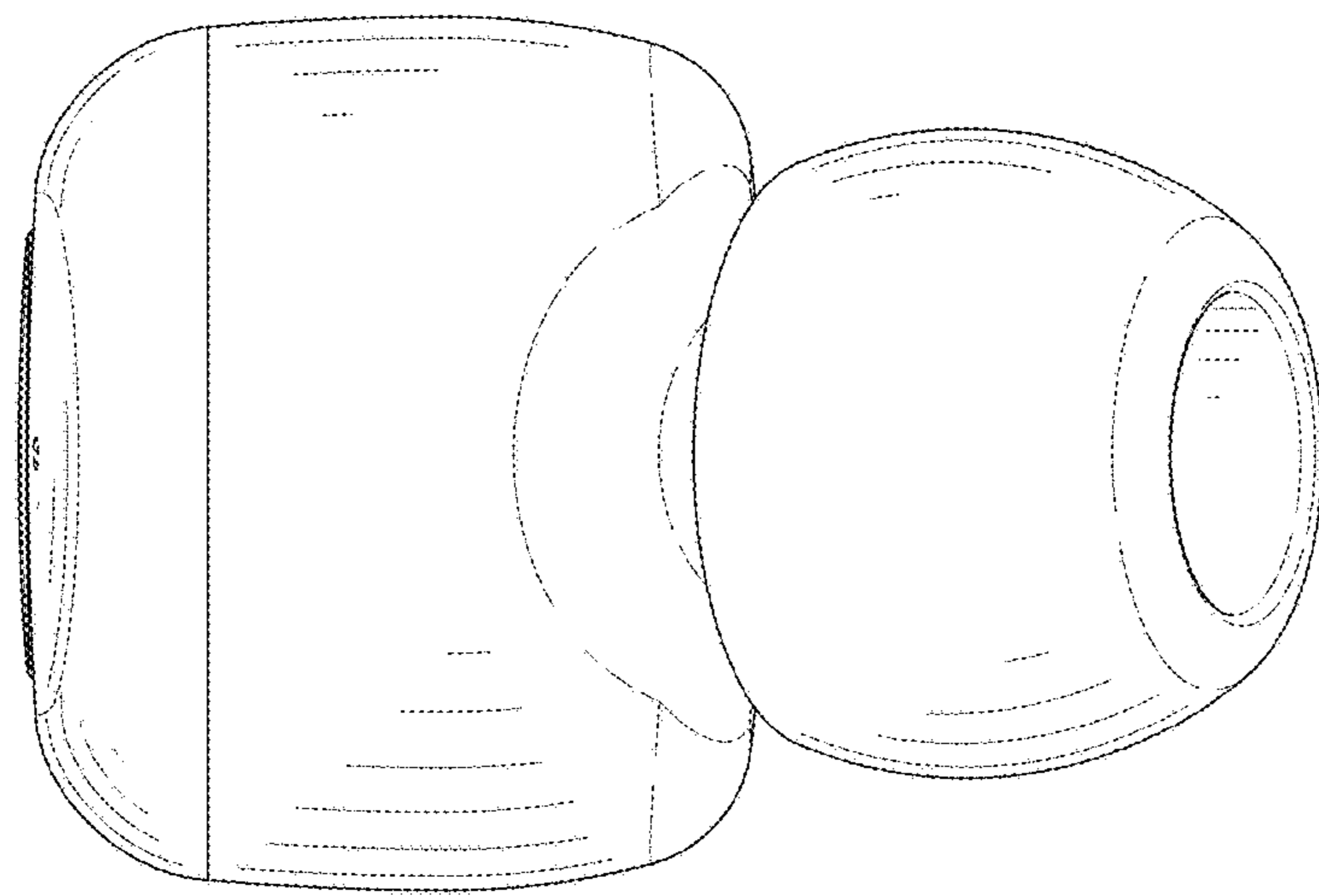


FIG. 5

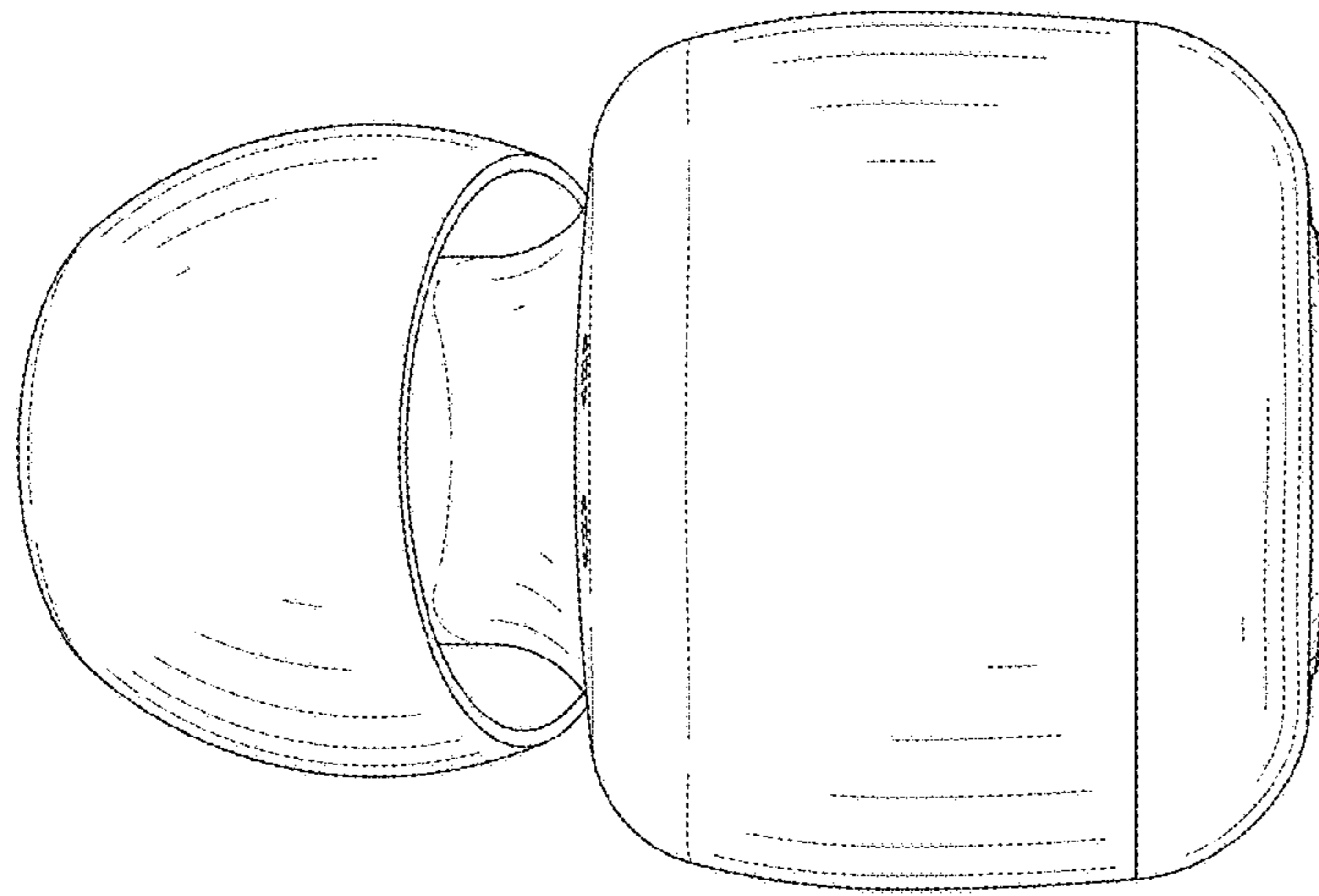


FIG. 6



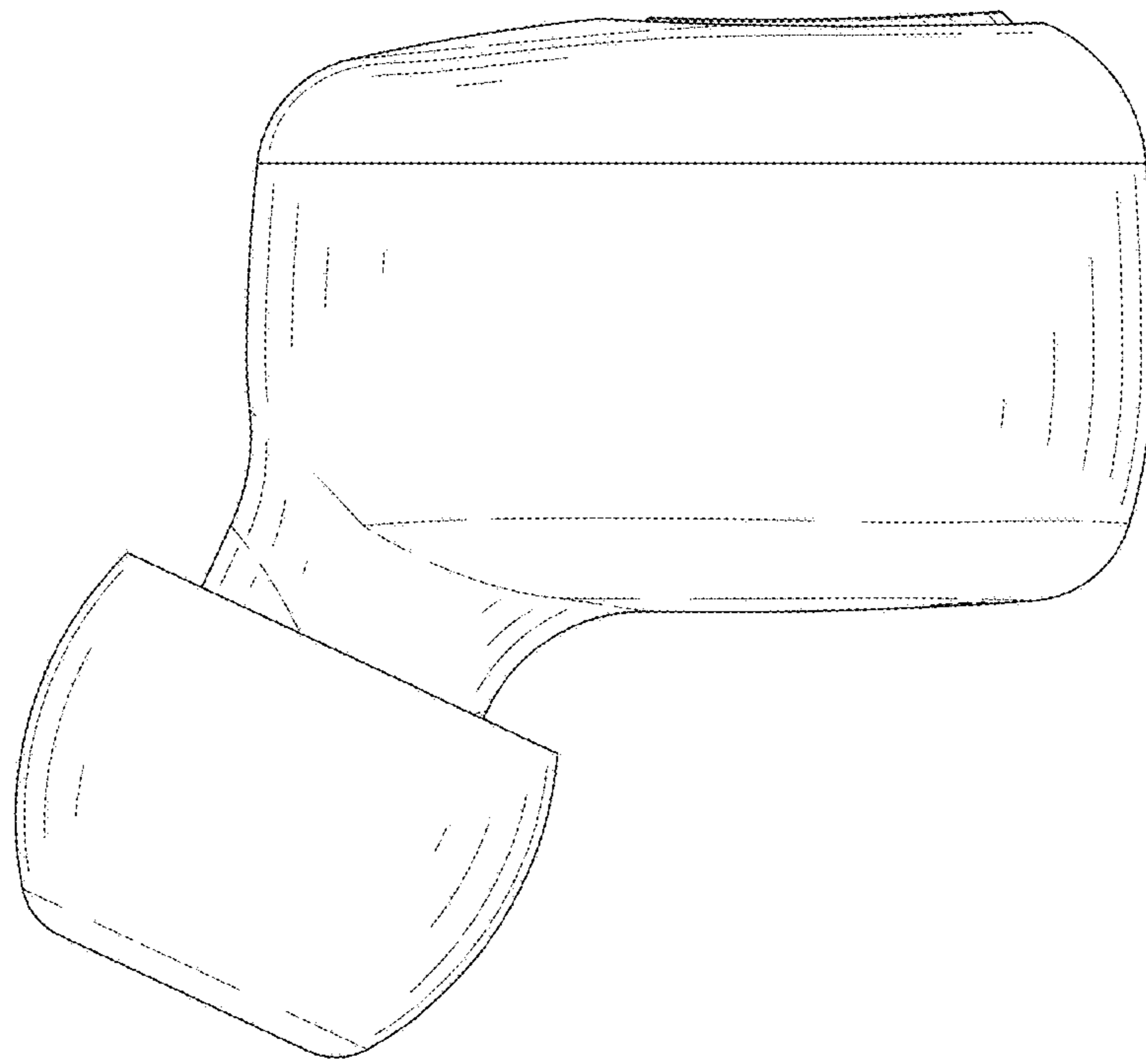


FIG. 7

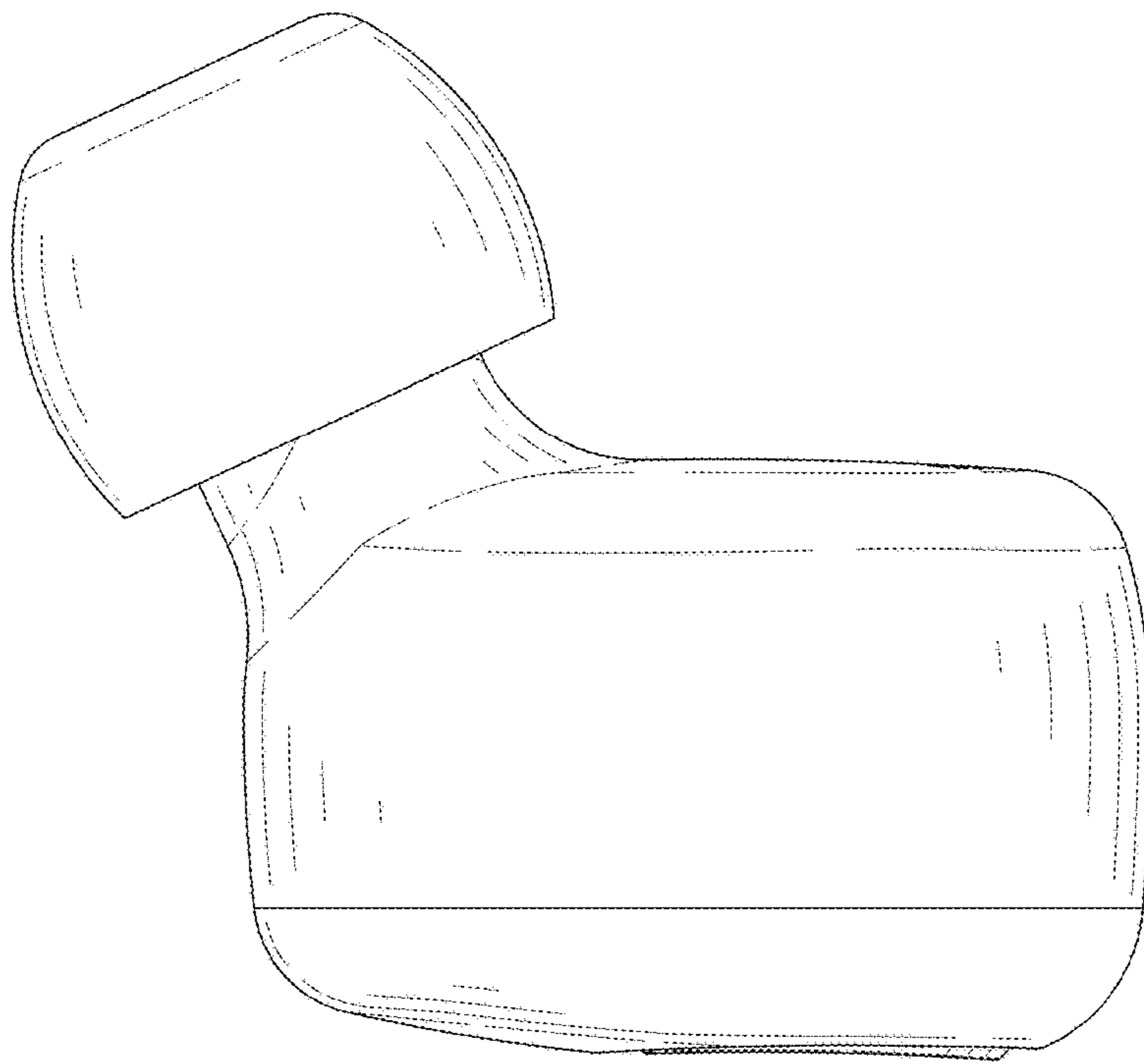


FIG. 8