



US00D863262S

(12) **United States Design Patent**  
**Roberts**

(10) **Patent No.:** **US D863,262 S**

(45) **Date of Patent:** **\*\* Oct. 15, 2019**

(54) **EARPHONES**

(71) Applicant: **James Roberts**, St Martin (JE)

(72) Inventor: **James Roberts**, St Martin (JE)

(73) Assignee: **Flashbay Electronics Hong Kong Limited**, Hong Kong (HK)

(\*\*) Term: **15 Years**

(21) Appl. No.: **29/650,657**

(22) Filed: **Jun. 8, 2018**

(51) **LOC (12) Cl.** ..... **14-01**

(52) **U.S. Cl.**  
USPC ..... **D14/223**

(58) **Field of Classification Search**  
USPC ..... D14/223, 205; D24/174; 2/209;  
181/129, 130, 135; 379/430, 431;  
381/380, 381, 370, 74; 455/90.3, 575.1,  
455/569.1

CPC ..... H04R 1/10; H04R 25/00; H04R 1/1066;  
H04R 1/1016; H04R 1/033; H04R 5/033;  
H04R 5/0335; H04R 1/105; H04R 1/1091

See application file for complete search history.

(56) **References Cited**

**U.S. PATENT DOCUMENTS**

5,410,608	A	*	4/1995	Lucey	.....	H04R 1/083
						381/360
6,084,976	A	*	7/2000	Lin	.....	H04R 1/1016
						181/129
D430,146	S	*	8/2000	Lin	.....	D14/223
D510,337	S	*	10/2005	Tages	.....	D14/205
D512,049	S	*	11/2005	Yang	.....	D14/205
D512,990	S	*	12/2005	Yang	.....	D14/205
D517,054	S	*	3/2006	Yang	.....	D14/205
D519,109	S	*	4/2006	Perszyk	.....	D14/223
D536,692	S	*	2/2007	Alwicker	.....	D14/188
D537,812	S	*	3/2007	Erich	.....	D14/206

D538,271	S	*	3/2007	Kim	.....	D14/223
D538,784	S	*	3/2007	Eklund	.....	D14/205
D555,151	S	*	11/2007	Eklund	.....	D14/223
D555,152	S	*	11/2007	Wang	.....	D14/223
D566,099	S	*	4/2008	Komiyama	.....	D14/206
D572,242	S	*	7/2008	Yang	.....	D14/205
D573,977	S	*	7/2008	Ledbetter	.....	D14/205
D581,396	S	*	11/2008	Wikel	.....	D14/206
D582,897	S	*	12/2008	Christopher	.....	D14/223
D583,804	S	*	12/2008	Mahler	.....	D14/223
D585,431	S	*	1/2009	Bradford	.....	D14/205
D588,113	S	*	3/2009	Bradford	.....	D14/223
D595,273	S	*	6/2009	Kim	.....	D14/223
D595,697	S	*	7/2009	Mao	.....	D14/205
D597,084	S	*	7/2009	Gondo	.....	D14/223
D598,900	S	*	8/2009	Wikel	.....	D14/223
D603,377	S	*	11/2009	Chung	.....	D14/223

(Continued)

**FOREIGN PATENT DOCUMENTS**

EM 004542744-0001 \* 12/2017

*Primary Examiner* — Paula Allen Greene

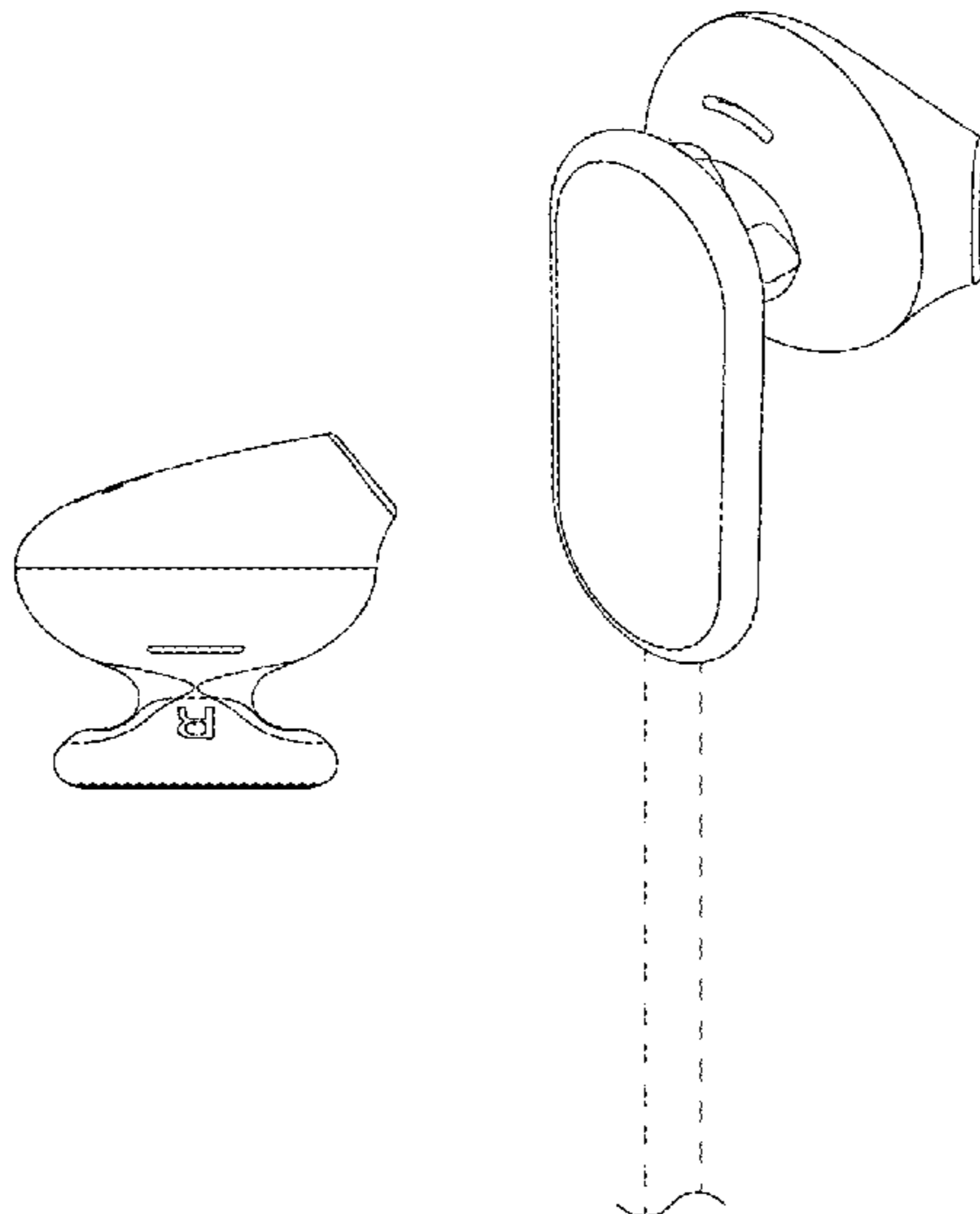
(57) **CLAIM**

The ornamental design for earphones, as shown and described.

**DESCRIPTION**

FIG. 1 is a right side view of the earphones.  
 FIG. 2 is a rear view of the earphones.  
 FIG. 3 is a top view of the earphones.  
 FIG. 4 is a bottom view of the earphones.  
 FIG. 5 is a left side view of the earphones.  
 FIG. 6 a front view of the earphones.  
 FIG. 7 is a rear left top perspective view of the earphones;  
 and,  
 FIG. 8 is a front right top perspective view of the earphones.  
 The broken lines depict environment that forms no part of the claimed design.

**1 Claim, 3 Drawing Sheets**



(56)

References Cited

U.S. PATENT DOCUMENTS

D603,378 S \* 11/2009 Paradise ..... D14/223  
 D604,272 S \* 11/2009 Kitayama ..... D14/223  
 D604,722 S \* 11/2009 Mistry ..... D14/223  
 D631,470 S \* 1/2011 Yoneyama ..... D14/223  
 D636,381 S \* 4/2011 Liner ..... D14/223  
 D640,242 S \* 6/2011 Fahrendorff ..... D14/223  
 D643,417 S \* 8/2011 Lee ..... D14/223  
 D649,957 S \* 12/2011 Fahrendorff ..... D14/223  
 D656,490 S \* 3/2012 Birger ..... D14/223  
 8,139,808 B2 \* 3/2012 Liu ..... H04M 1/05  
 381/330  
 D664,125 S \* 7/2012 Koch ..... D14/223  
 8,270,915 B2 \* 9/2012 Sanford ..... H01Q 1/243  
 343/904  
 D673,531 S \* 1/2013 Lee ..... D14/223  
 D679,267 S \* 4/2013 Lee ..... D14/223  
 D693,796 S \* 11/2013 Birger ..... D14/223

D698,026 S \* 1/2014 Kuwata ..... D24/174  
 8,630,425 B2 \* 1/2014 Chang ..... H04R 1/1041  
 381/71.1  
 D725,082 S \* 3/2015 Palmborg ..... D14/223  
 D733,101 S \* 6/2015 Pi ..... D14/223  
 D742,861 S \* 11/2015 Miyake ..... D14/223  
 D743,949 S \* 11/2015 Miyake ..... D14/223  
 D762,616 S \* 8/2016 Hsieh ..... D14/205  
 D764,445 S \* 8/2016 Czaniecki ..... D14/223  
 D772,203 S \* 11/2016 Zeng ..... D14/223  
 D776,641 S \* 1/2017 Rochat ..... D14/223  
 D793,368 S \* 8/2017 Harper ..... D14/223  
 D801,313 S \* 10/2017 Lai ..... D14/223  
 D801,950 S \* 11/2017 Otani ..... D14/223  
 D806,879 S \* 1/2018 Horbinski ..... D24/174  
 D817,309 S \* 5/2018 Czaniecki ..... D14/223  
 2010/0166208 A1 \* 7/2010 Kato ..... H04R 1/1033  
 381/74  
 2017/0026738 A1 \* 1/2017 Tang ..... H04R 1/1091

\* cited by examiner

FIG.1

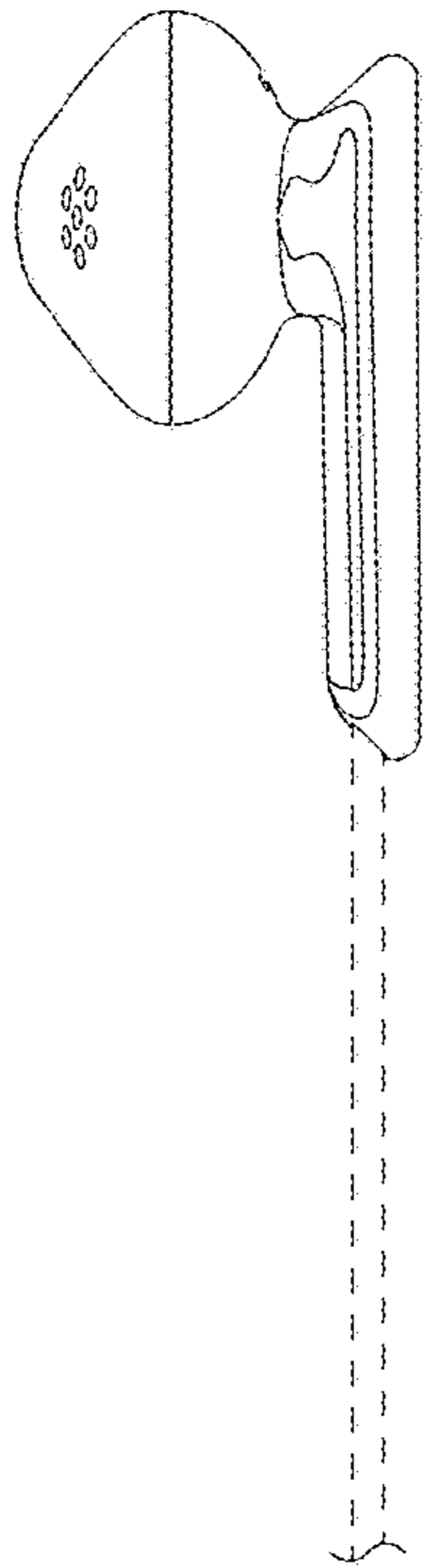


FIG.2

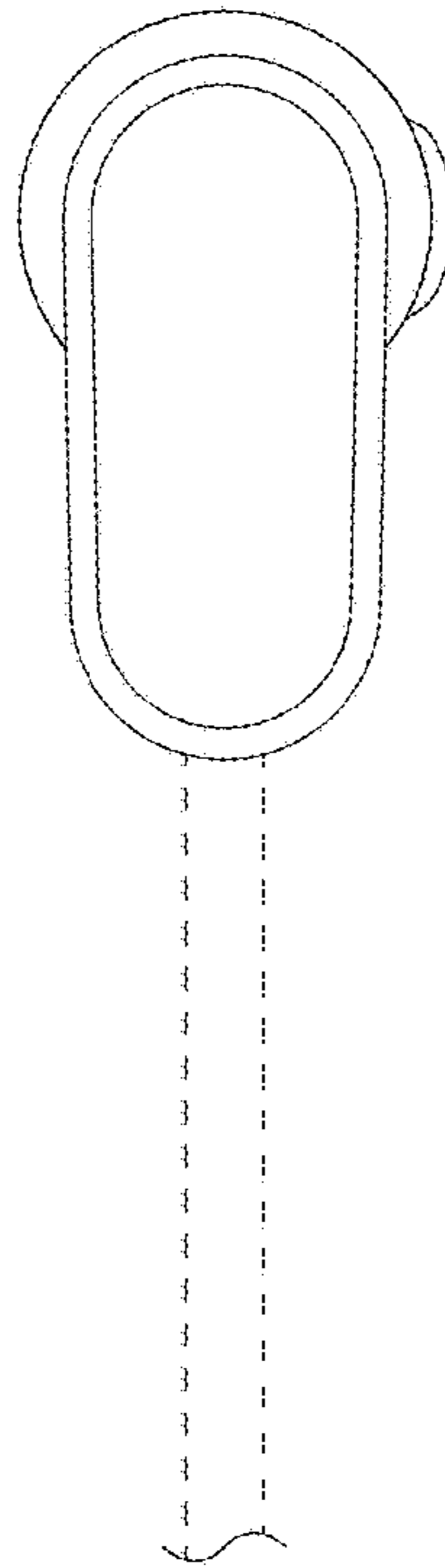


FIG.3

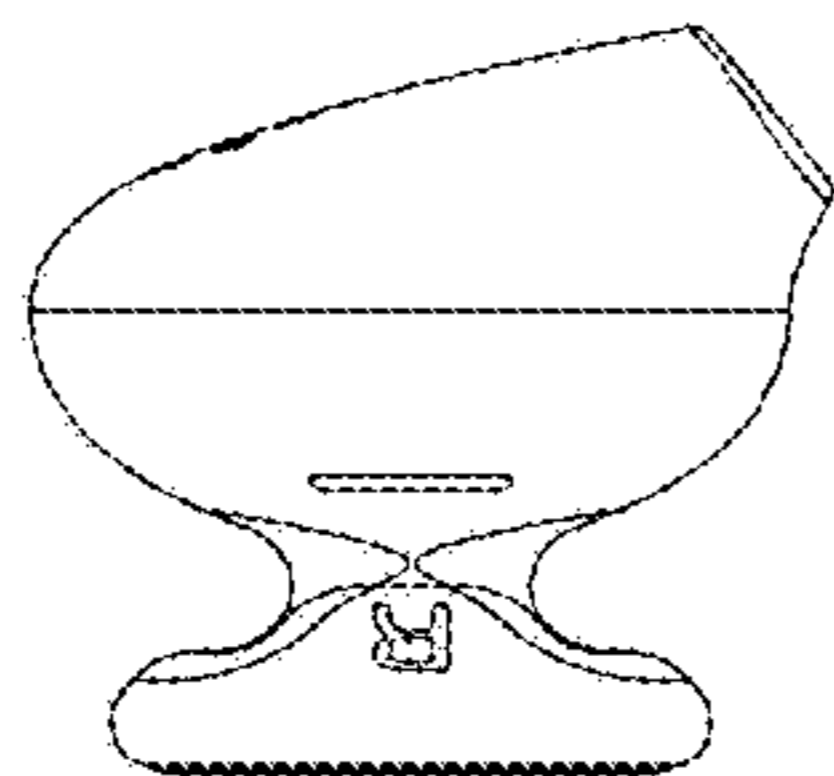


FIG.4

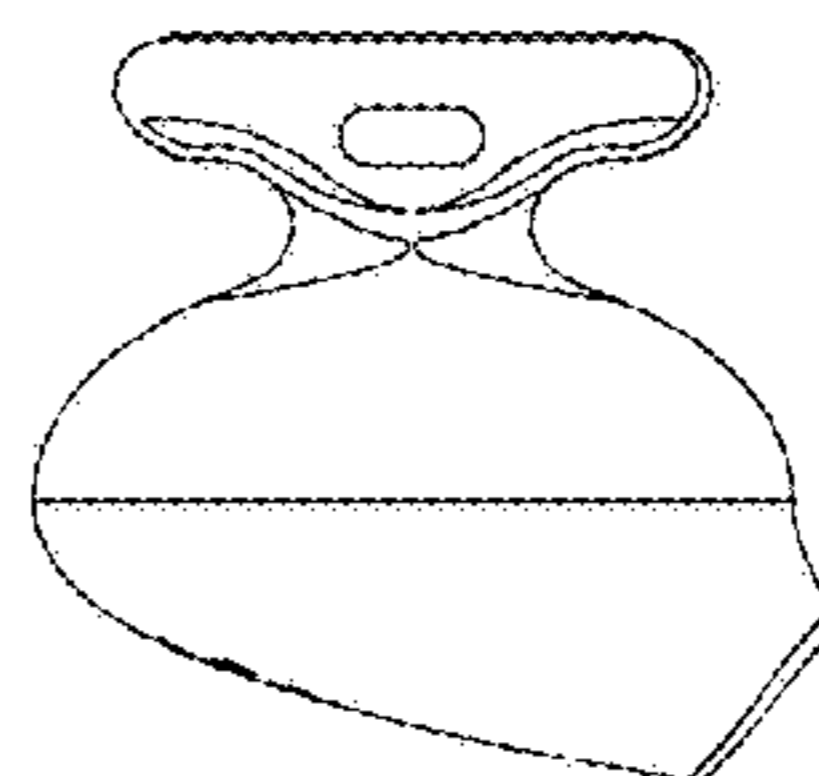


FIG.5

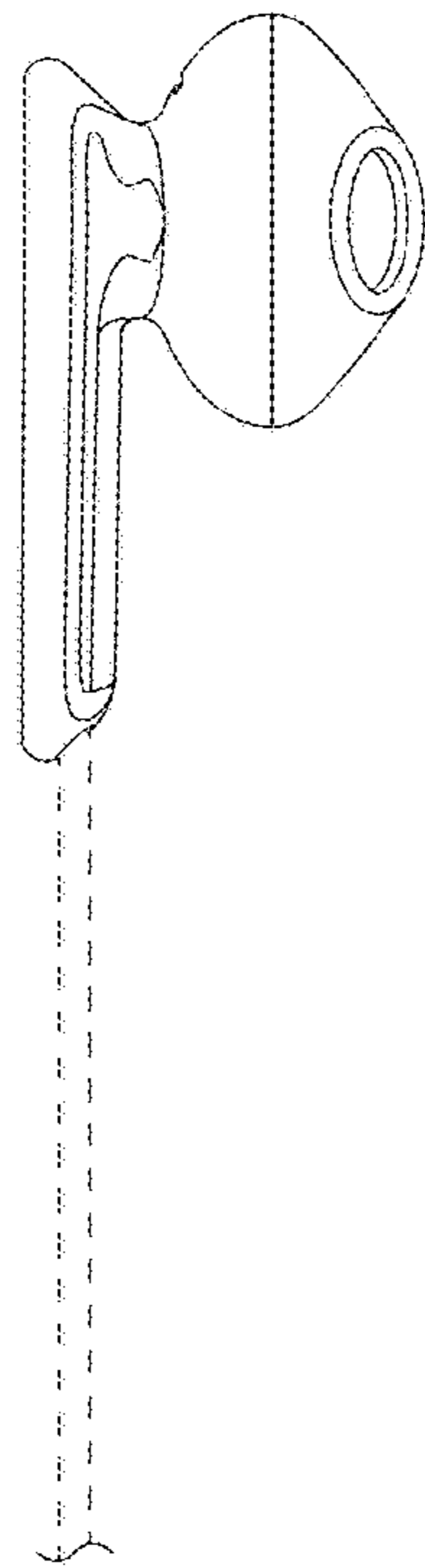


FIG.6

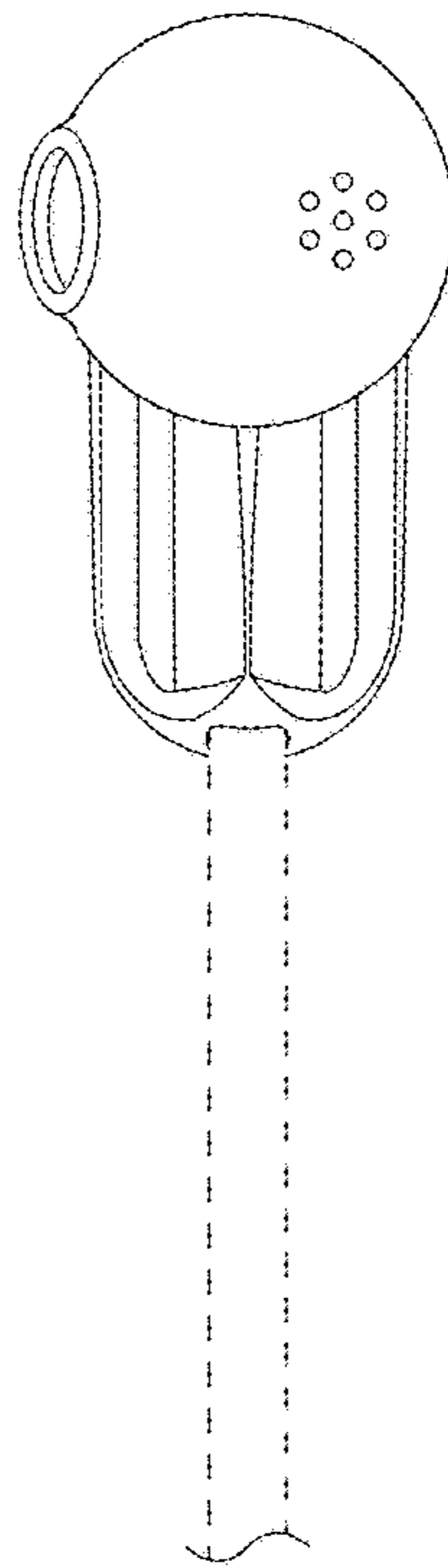


FIG.7

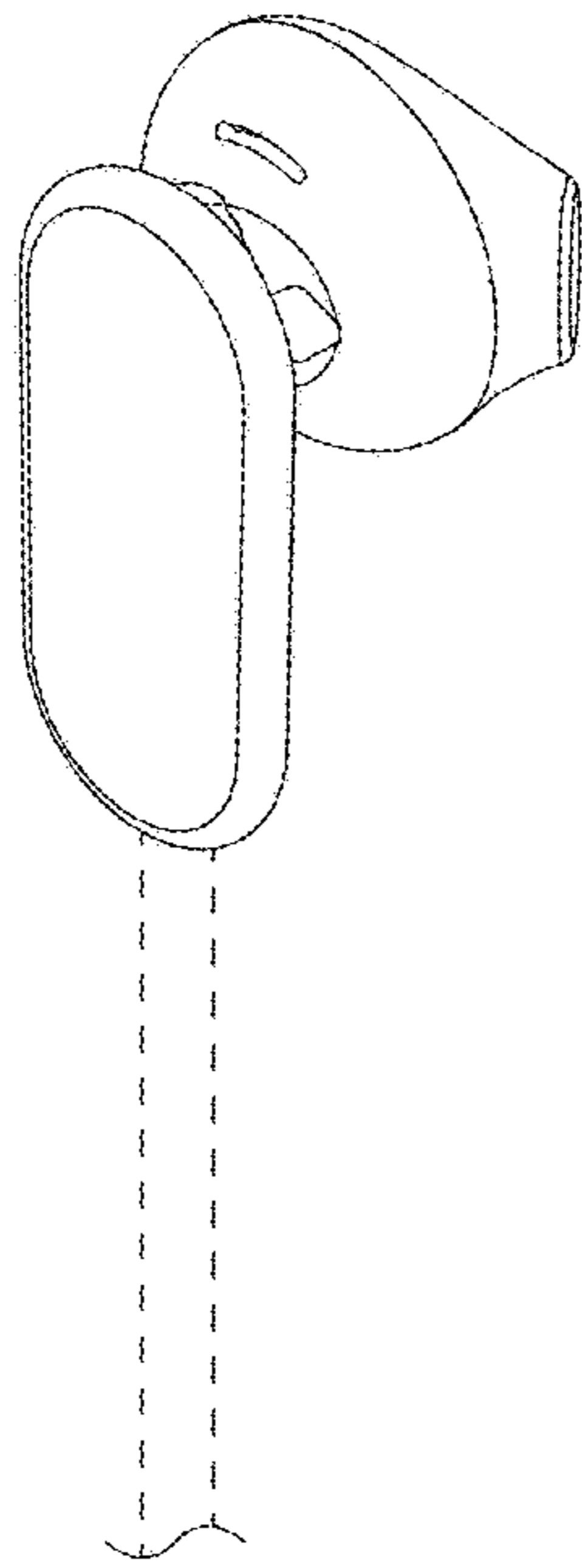


FIG.8

