



US00D863258S

(12) **United States Design Patent** (10) **Patent No.:** **US D863,258 S**
Song et al. (45) **Date of Patent:** **** Oct. 15, 2019**

(54) **REMOTE FAUCET CONTROLLER**

(71) Applicant: **AS America, Inc.**, Piscataway, NJ (US)

(72) Inventors: **Ki Bok Song**, Plainview, NY (US);
Alison Lyons, New York, NY (US);
Jiekun Qian, Elmhurst, NY (US);
Jean-Jacques L’Henaff, New Canaan,
CT (US); **Emilie Williams**, South
Plainfield, NJ (US)

(73) Assignee: **AS America, Inc.**, Piscataway, NJ (US)

(**) Term: **15 Years**

(21) Appl. No.: **29/628,807**

(22) Filed: **Dec. 7, 2017**

(51) **LOC (12) Cl.** **14-03**

(52) **U.S. Cl.**

USPC **D14/218**; D14/388; D23/246; D10/49

(58) **Field of Classification Search**

USPC D14/300, 302, 314, 348, 356, 357, 363,
D14/365, 367, 240, 242, 358, 351, 125,
D14/155, 162, 167, 168, 172, 175, 188,
D14/195, 203.1, 203.6, 203.8, 204, 209.1,
D14/216, 217, 228, 299, 496, 140.1,
D14/140.2, 432, 433, 388, 218; D13/123,
D13/124, 152, 158, 162, 162.1, 168, 173,
D13/184, 199, 177; D10/46, 49, 61, 62,
D10/70, 104.1, 106.1, 106.9, 106.95,
D10/109.1, 109.2, 111, 114.5, 60, 96, 99,
D10/101, 103; D23/200, 226, 228, 229,
D23/238, 242, 245, 249, 252, 303, 304,
D23/308, 309

CPC H04W 88/00; H04W 88/02; H04W 88/08;
H04W 88/12; H04W 88/16; H04W
88/085; B01D 35/157; B01D 35/1573;
B01D 46/42; B01D 61/12; B01D 61/22;
B01D 61/32; B01D 61/54; B01D
2247/08; H04B 1/03; H04B 1/034; H04B
1/06; H04B 1/08; H04B 1/086; B67D
7/08; B67D 7/145

See application file for complete search history.

(56) **References Cited**

U.S. PATENT DOCUMENTS

2,226,516	A	*	12/1940	Ross	A63B 67/14 473/588
D249,091	S	*	8/1978	Burtis	D14/339
D325,582	S	*	4/1992	Emmons	D14/218
D327,690	S	*	7/1992	Ogawa	D14/230
D331,060	S	*	11/1992	Emmons	D14/218
D340,279	S	*	10/1993	Mattis	D23/246
D348,017	S	*	6/1994	Poleshuk	D10/96
D349,252	S	*	8/1994	Hurd	D10/96
D354,477	S	*	1/1995	Kawamura	D14/218
D365,771	S	*	1/1996	Clivio	D23/246
D371,793	S	*	7/1996	Patton	D14/218
D375,909	S	*	11/1996	Dziersk	D10/106.1
D381,013	S	*	7/1997	Allana	D14/408

(Continued)

OTHER PUBLICATIONS

Notice of Allowance dated Nov. 16, 2018, directed to MX Appli-
cation No. MX/f/2018/001661; 5 pages.

Primary Examiner — Marie D. Fast Horse

(74) *Attorney, Agent, or Firm* — Morrison & Foerster
LLP

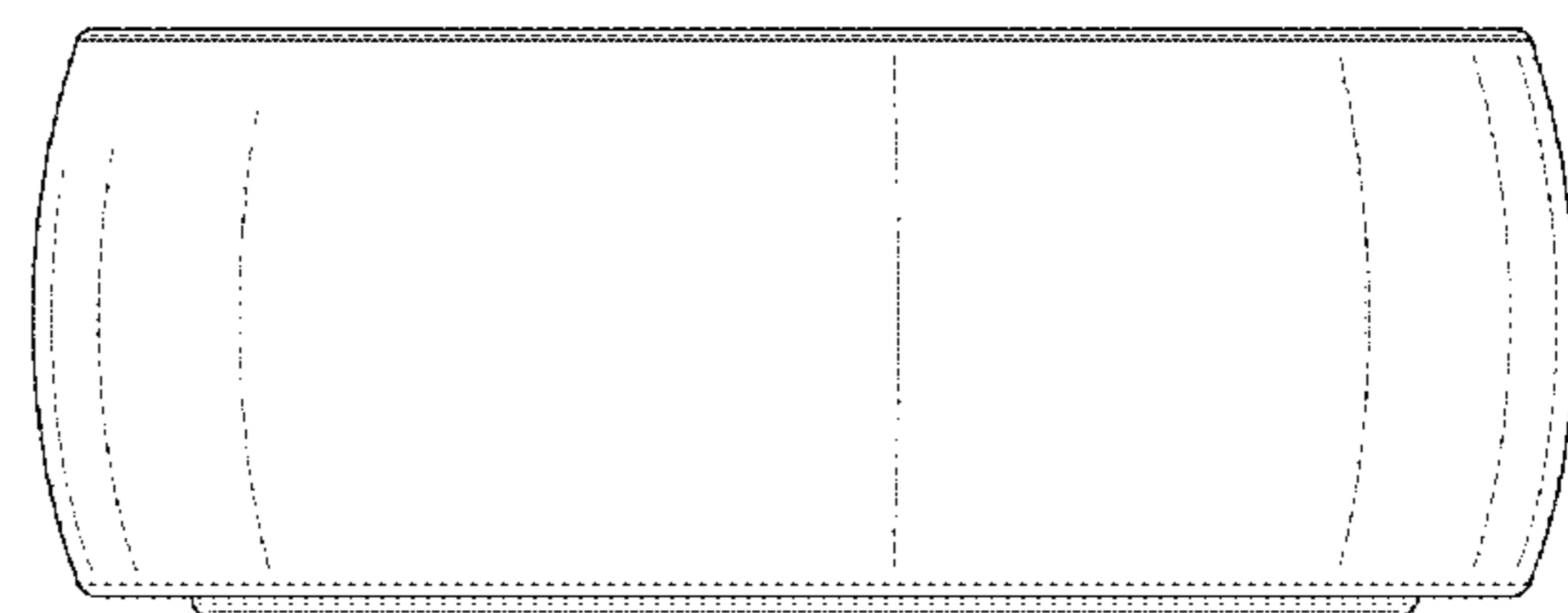
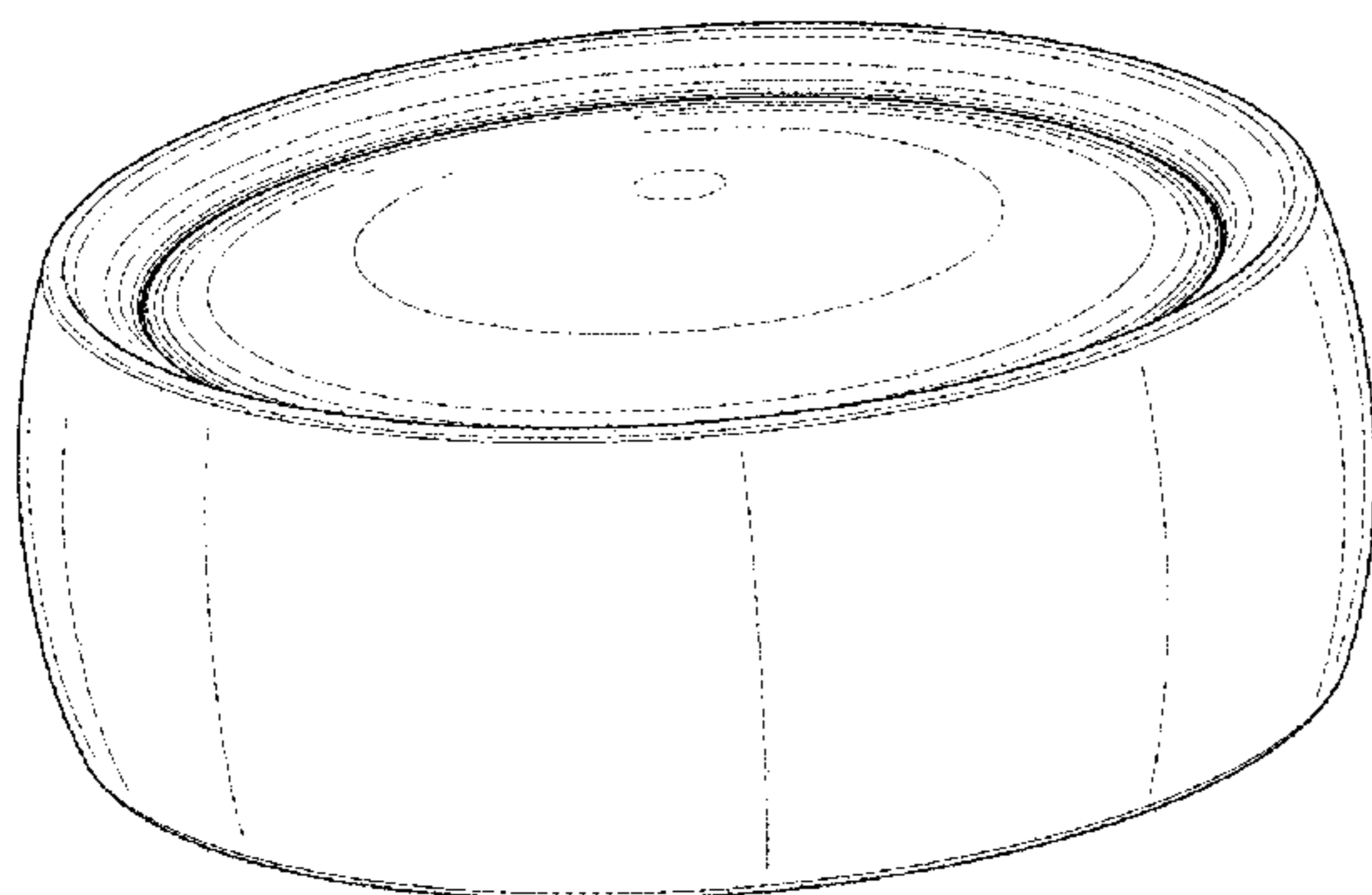
(57) **CLAIM**

We claim the ornamental design for a remote faucet con-
troller, as shown and described.

DESCRIPTION

FIG. 1 is a front perspective view of a remote faucet
controller showing our new design;
FIG. 2 is a side view thereof;
FIG. 3 is a side view of the opposite side of FIG. 2;
FIG. 4 is a rear view thereof;
FIG. 5 is a front view thereof;
FIG. 6 is a top view thereof; and,
FIG. 7 is a bottom view.

1 Claim, 7 Drawing Sheets



(56)

References Cited

U.S. PATENT DOCUMENTS

D382,255 S *	8/1997	Moffatt	D14/358	D752,024 S *	3/2016	Kachwalla	D14/216
D418,125 S *	12/1999	Jobs	D14/408	D752,588 S *	3/2016	Li	D14/385
D420,429 S *	2/2000	Jensen	D23/233	D755,750 S *	5/2016	Chen	D14/172
D435,543 S *	12/2000	Nakamura	D14/217	D757,587 S *	5/2016	Li	D10/106.6
D442,338 S *	5/2001	Roman	D28/82	D760,697 S *	7/2016	Zhao	D14/216
D448,754 S *	10/2001	Chang	D14/217	D761,676 S *	7/2016	Golnik	D10/103
D458,249 S *	6/2002	Hayashi	D14/218	D766,844 S *	9/2016	Turksu	D13/168
D463,991 S *	10/2002	Curry	D10/104.1	D768,114 S *	10/2016	Hou	D13/168
D494,633 S *	8/2004	Nussberger	D21/324	D768,631 S *	10/2016	Epstein	D14/388
D515,516 S *	2/2006	Mayo	D13/171	9,456,686 B2 *	10/2016	Epstein	H04N 5/268
D518,030 S *	3/2006	Lin	D14/218	D773,437 S *	12/2016	Lee	D14/223
D521,512 S *	5/2006	Kunzi	D14/388	D773,947 S *	12/2016	Scarcella	D10/104.1
D542,280 S *	5/2007	Taylor	D14/218	D778,878 S *	2/2017	de Vaal	D14/218
D563,330 S *	3/2008	Lin	D13/177	D784,259 S *	4/2017	Huang	D13/108
D592,649 S *	5/2009	L'Henaff	D14/240	D785,277 S *	5/2017	Reddick	D1/114
D596,622 S *	7/2009	Lee	D14/218	D786,193 S *	5/2017	Akana	D13/108
D597,514 S *	8/2009	Gencarella	D14/138 AC	D790,373 S *	6/2017	Daoura	D10/104.1
D601,564 S *	10/2009	Maeno	D14/400	D796,355 S *	9/2017	Cho	D10/70
D625,295 S *	10/2010	Nogueira	D14/218	D800,875 S *	10/2017	Sykes	D23/249
D626,147 S *	10/2010	Goddard	D14/496	D802,022 S *	11/2017	Yao	D14/496
D627,306 S *	11/2010	Charleux	D13/168	D802,460 S *	11/2017	Nguyen	D10/99
D632,265 S *	2/2011	Choi	D13/168	D802,462 S *	11/2017	Morneau	D10/96
D636,380 S *	4/2011	Valeur	D14/218	D803,074 S *	11/2017	Dingjian	D10/60
D639,783 S *	6/2011	Murayama	D14/218	D803,410 S *	11/2017	Im	D24/187
D639,784 S *	6/2011	Murayama	D14/218	D804,531 S *	12/2017	Beck	D14/496
D660,732 S *	5/2012	Bould	D10/49	D804,533 S *	12/2017	Mangum	D14/496
D671,528 S *	11/2012	Fathollahi	D14/211	D805,926 S *	12/2017	Im	D10/57
D677,635 S *	3/2013	Ling	D13/177	D807,867 S *	1/2018	Kato	D14/240
D682,719 S *	5/2013	Granstrand	D10/99	D809,951 S *	2/2018	Yang	D10/104.1
D685,790 S *	7/2013	Tang	D14/218	D811,254 S *	2/2018	Lee	D10/96
D691,587 S *	10/2013	Ferber	D14/216	D812,577 S *	3/2018	Turksu	D13/168
D700,075 S *	2/2014	Bould	D10/49	D816,046 S *	4/2018	Kiong	D13/162
D700,904 S *	3/2014	Miller	D13/168	D820,238 S *	6/2018	Boshernitzan	D14/218
D724,060 S *	3/2015	Ahn	D14/218	D822,717 S *	7/2018	Lim	D14/496
D726,161 S *	4/2015	Howard	D14/218	D826,738 S *	8/2018	Liao	D10/52
D727,297 S *	4/2015	Valeur	D14/216	D827,456 S *	9/2018	Seum	D10/56
D729,773 S *	5/2015	Salojarvi	D14/218	D828,332 S *	9/2018	Hu	D14/216
D731,334 S *	6/2015	Fiedler	D10/70	D829,242 S *	9/2018	Laine	D14/496
D731,465 S *	6/2015	Khubani	D14/216	D829,690 S *	10/2018	Chen	D14/216
D732,006 S *	6/2015	Zhao	D14/216	D832,264 S *	10/2018	Kim	D14/434
D735,131 S *	7/2015	Akana	D13/108	D834,002 S *	11/2018	Bergfeldt	D14/218
D738,858 S *	9/2015	Tuhkanen	D14/218	D834,560 S *	11/2018	Hardi	D14/218
D743,819 S *	11/2015	Golnik	D10/70	D839,847 S *	2/2019	Dimberg	D13/171
D743,954 S *	11/2015	Chuang	D14/240	D843,238 S *	3/2019	Rose	D10/50
D746,165 S *	12/2015	Li	D10/104.1	10,227,760 B2 *	3/2019	Horwitz	E03C 1/057
D746,166 S *	12/2015	Li	D10/104.1	2011/0186154 A1 *	8/2011	Klicpera	B67D 7/08 137/551
D749,504 S *	2/2016	Jeong	D13/108	2016/0214041 A1 *	7/2016	Miller	B01D 35/04
D749,666 S *	2/2016	Ahdoot	D14/218	2018/0318886 A1 *	11/2018	Libbrecht	B05B 1/185

* cited by examiner

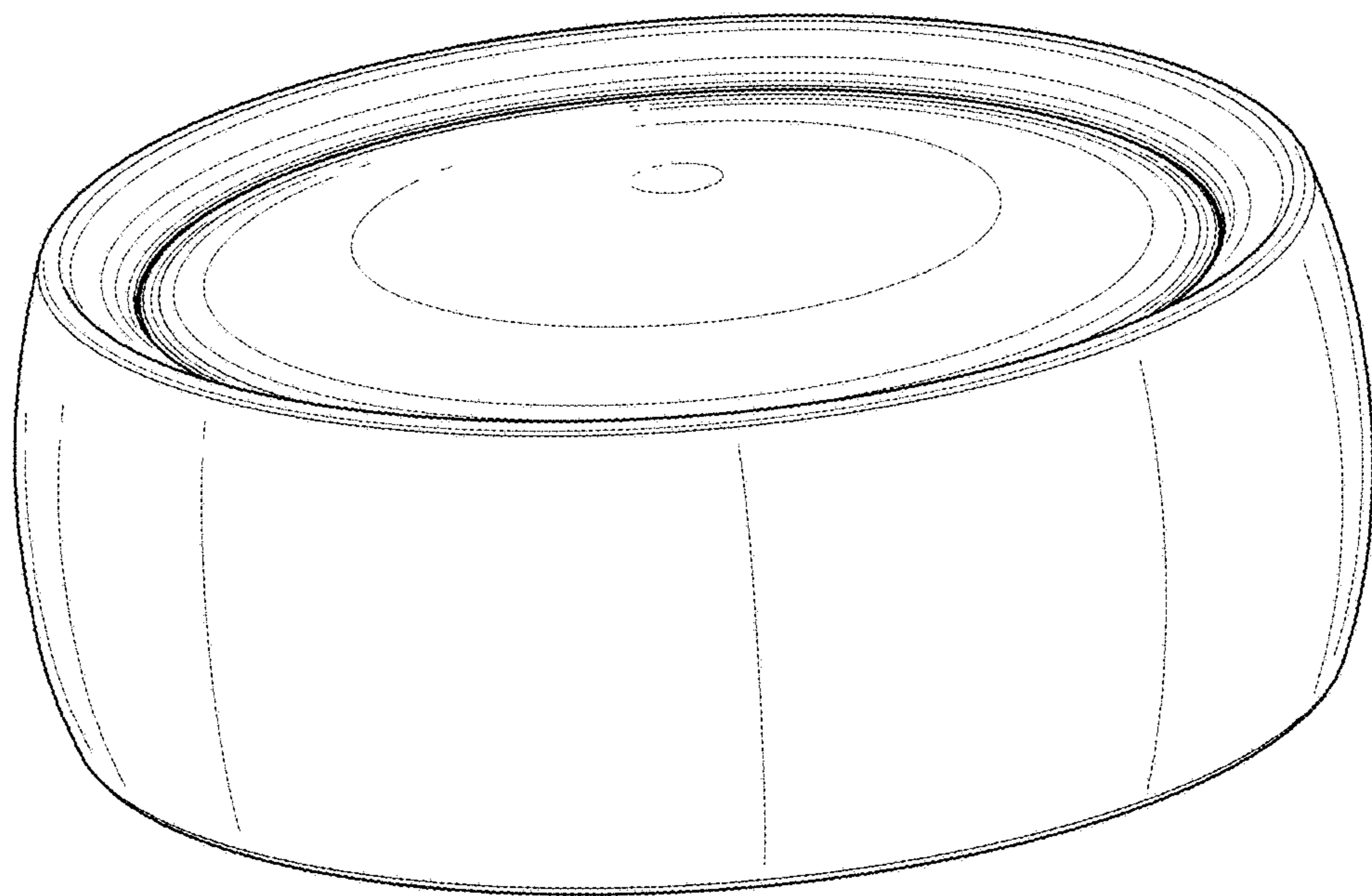


FIG. 1

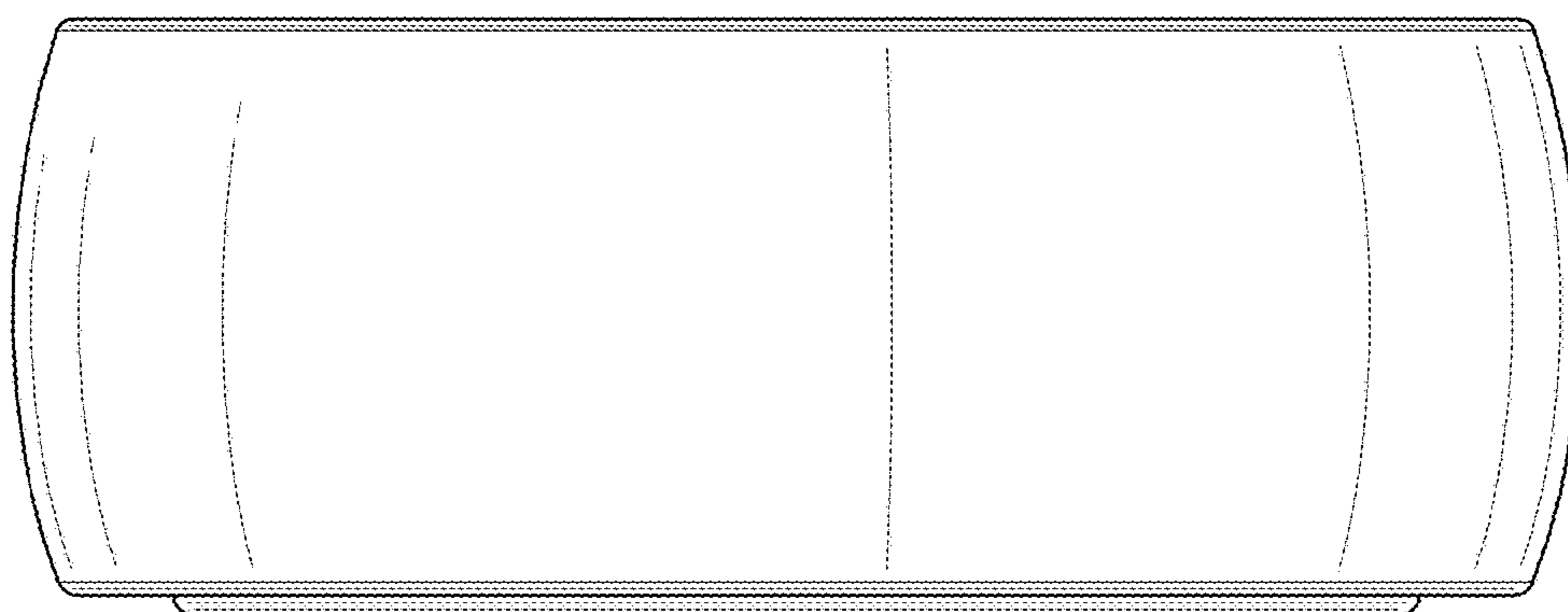


FIG. 2

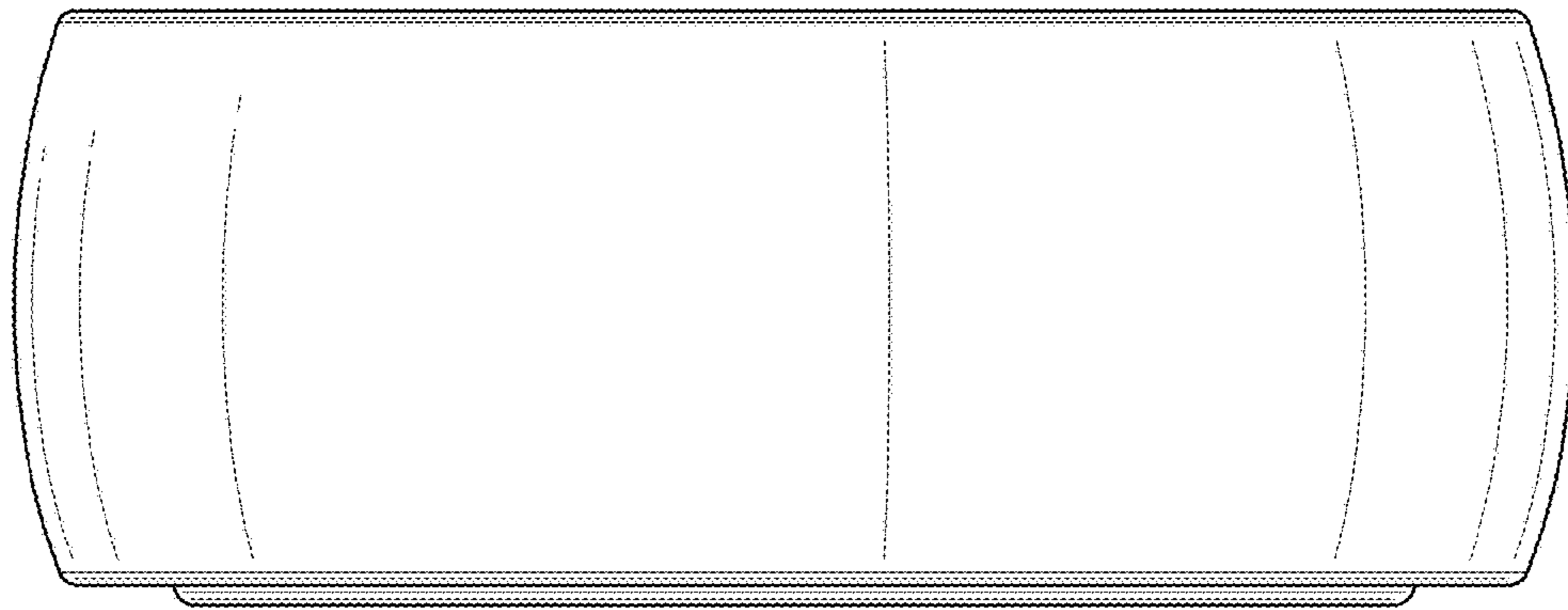


FIG. 3

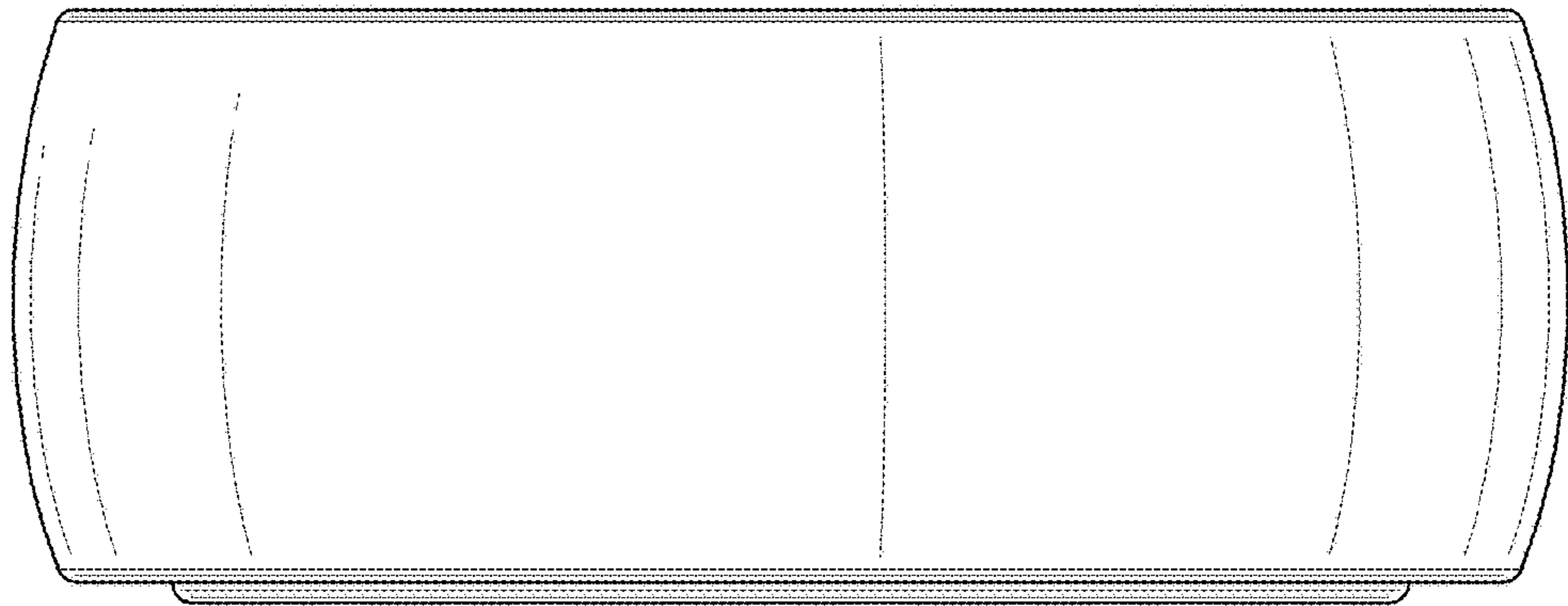


FIG. 4

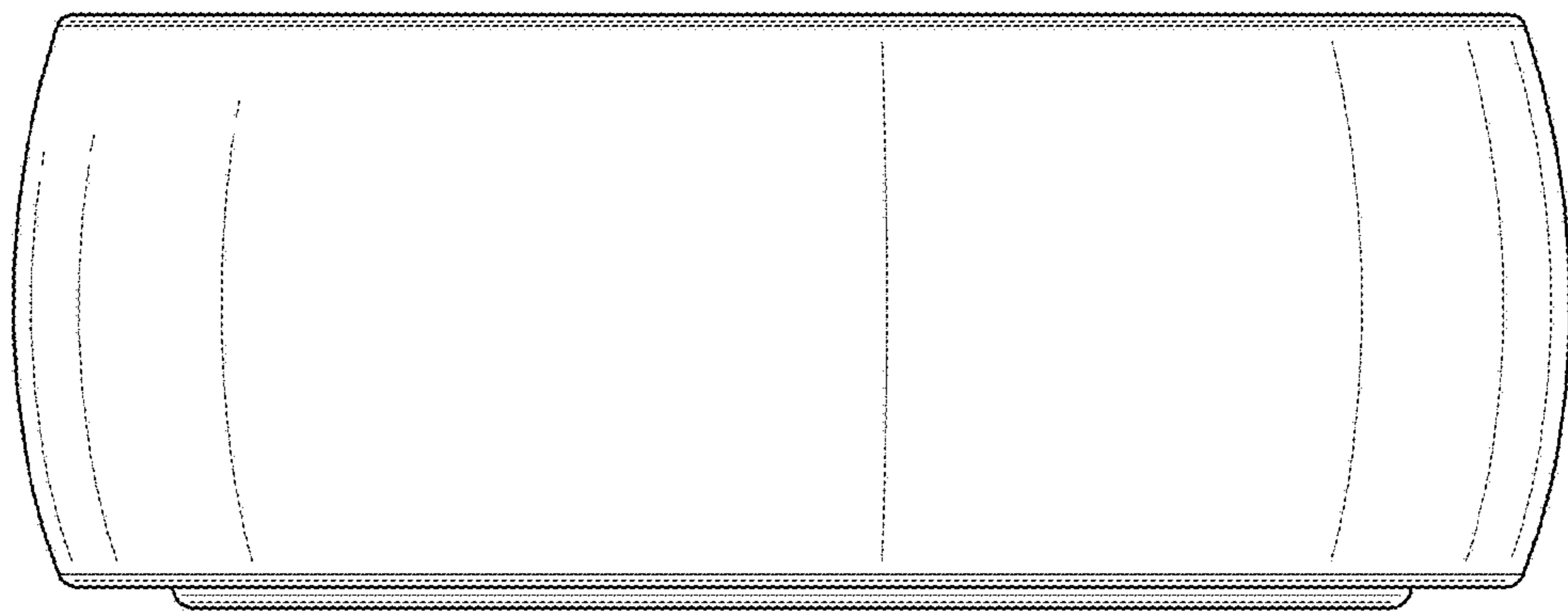


FIG. 5

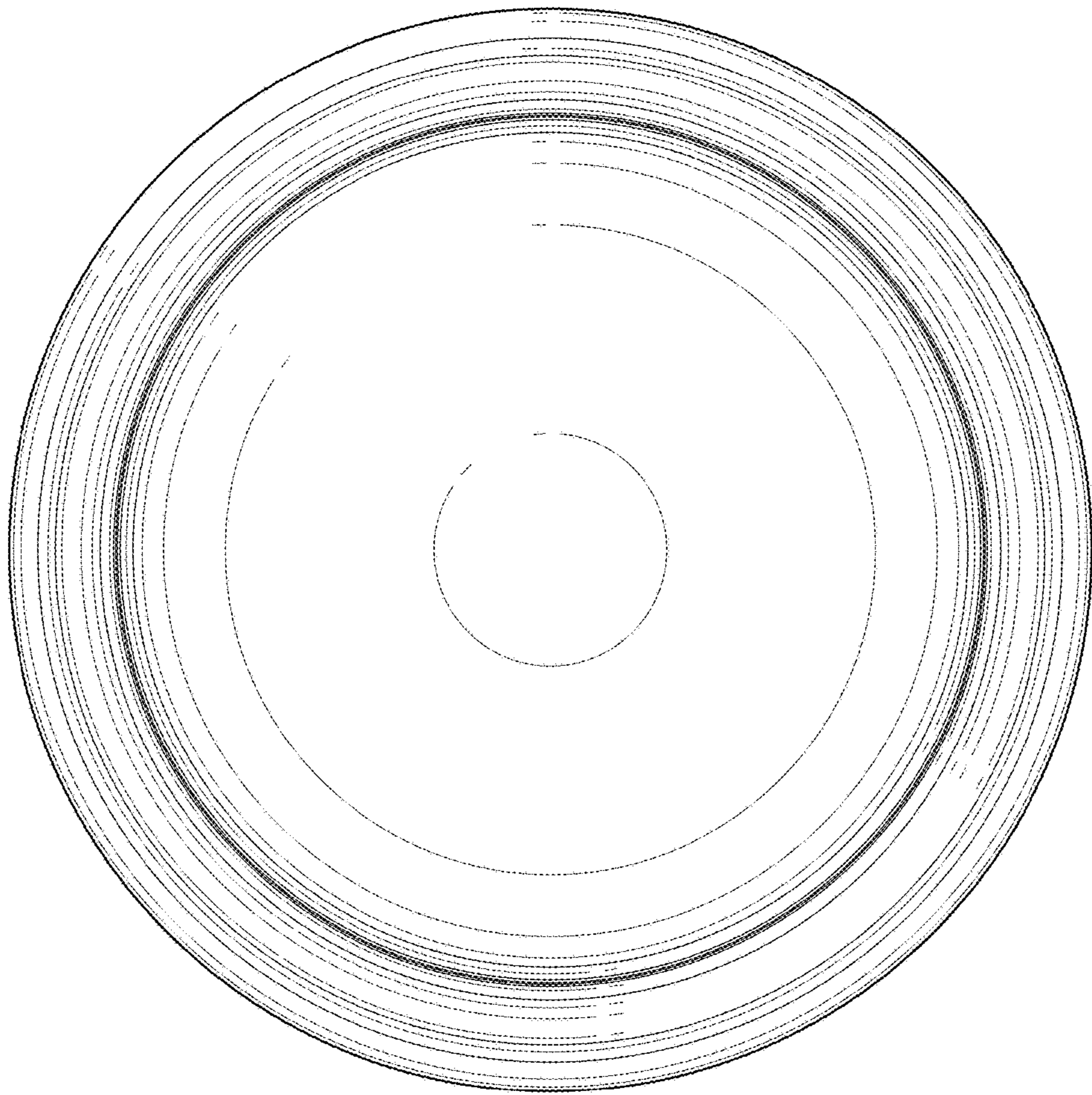


FIG. 6

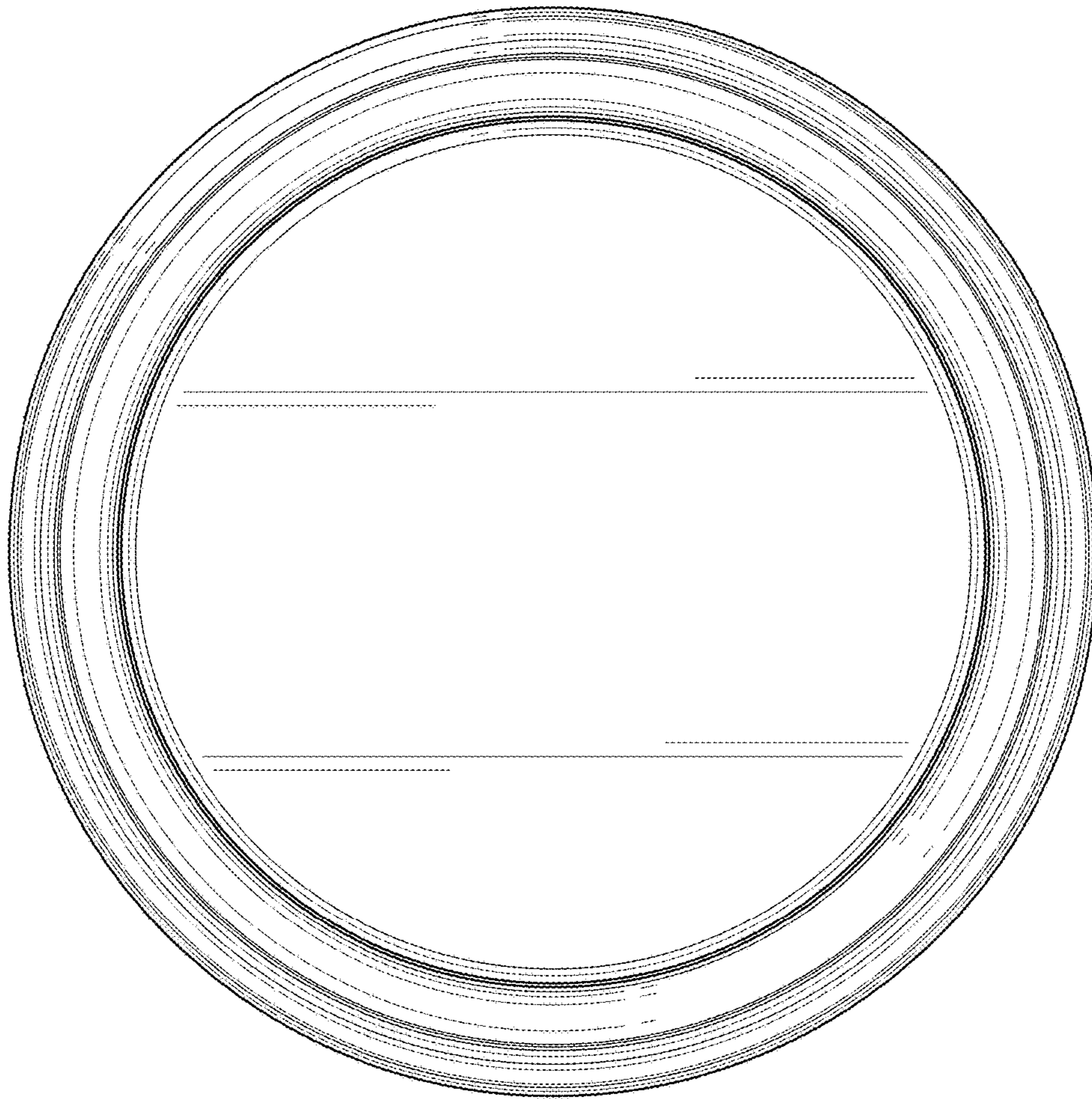


FIG. 7