



US00D863256S

(12) **United States Design Patent**  
**Lindof**

(10) **Patent No.:** **US D863,256 S**  
(45) **Date of Patent:** **\*\* Oct. 15, 2019**

(54) **TELEPHONE HEADSET ACCESSORY**

(71) Applicant: **RTX A/S**, Nørresundby (DK)

(72) Inventor: **Jens Christian Lindof**, Nørresundby (DK)

(73) Assignee: **RTX A/S**, Nørresundby (DK)

(\*\*) Term: **15 Years**

(21) Appl. No.: **29/627,276**

(22) Filed: **Nov. 24, 2017**

(30) **Foreign Application Priority Data**

May 24, 2017 (EM) ..... 004015972

(51) **LOC (12) Cl.** ..... **14-03**

(52) **U.S. Cl.**  
USPC ..... **D14/217**

(58) **Field of Classification Search**  
USPC ..... D14/217, 218; D13/168  
CPC .. A61L 2/10; G06F 3/033; G09G 5/08; G08C 19/12; G08C 17/02; G08G 5/08; H05K 5/03; H04B 10/00; H01H 9/02  
See application file for complete search history.

(56) **References Cited**

**U.S. PATENT DOCUMENTS**

1,329,658 A	2/1920	Gernsback
2,025,398 A	12/1933	Pocock et al.
2,086,980 A	7/1937	Kirby
2,954,442 A	9/1960	Mickenberg
3,061,690 A	10/1962	Swinehart
3,211,160 A	10/1965	Miller
3,815,155 A	6/1974	Davison et al.
D270,634 S	9/1983	Ungar
4,420,657 A	12/1983	Larkin
4,597,469 A	7/1986	Nagashima
D286,874 S	11/1986	Bertagna et al.
4,689,822 A	8/1987	Houng

D300,133 S	3/1989	Daidoh et al.
4,875,233 A	10/1989	Derhaag et al.
4,926,961 A	5/1990	Gathey et al.
5,117,465 A	5/1992	MacDonald
D328,074 S	7/1992	Yamazaki et al.
D337,116 S	7/1993	Hattori
D337,587 S	7/1993	Nakayama
D338,010 S	8/1993	Yamatogi
D346,802 S	5/1994	Sacherman et al.

(Continued)

**FOREIGN PATENT DOCUMENTS**

GB	004749026-0010	3/2018
GB	005299229-0002	6/2018

**OTHER PUBLICATIONS**

Lamicall Headphone Stand, online, no post date, <URL: <https://www.soundandvision.com/shop/>.

(Continued)

*Primary Examiner* — Khawaja Anwar

(74) *Attorney, Agent, or Firm* — Merchant & Gould P.C.

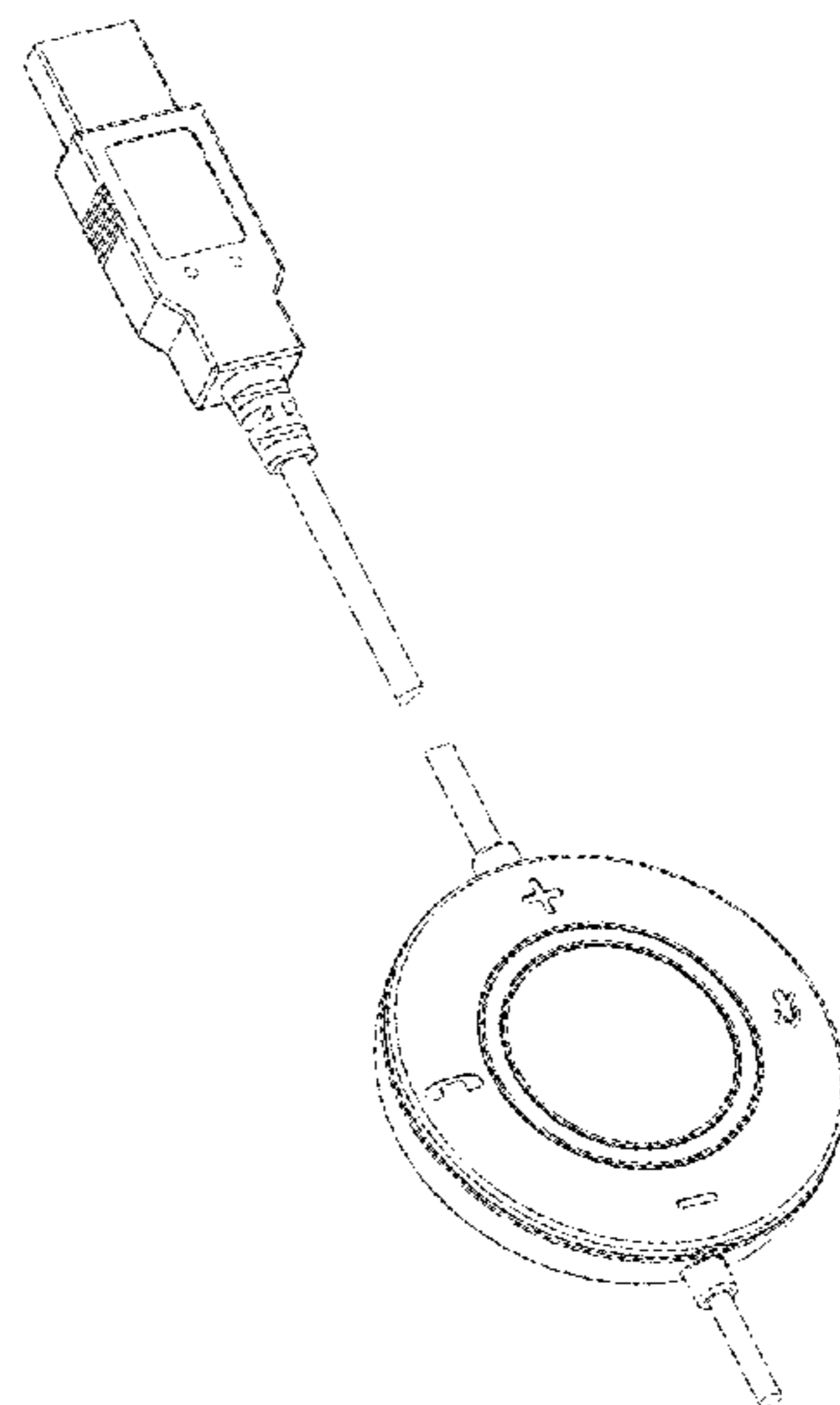
(57) **CLAIM**

The ornamental design for a telephone headset accessory, as shown and described.

**DESCRIPTION**

FIG. 1 is a perspective view of a telephone headset accessory according to the principles of the present invention; FIG. 2 is a front elevational view thereof; FIG. 3 is a rear elevational view thereof; FIG. 4 is a left side elevational view thereof; FIG. 5 is a right side elevational view thereof; FIG. 6 is a top plan view thereof; and, FIG. 7 is a bottom plan view thereof. The broken portions of the cord in the FIGURES represent indeterminate length.

**1 Claim, 7 Drawing Sheets**



(56)

References Cited

U.S. PATENT DOCUMENTS

5,369,857 A	12/1994	Sacherman et al.		D588,100 S	3/2009	Densho et al.	
D357,481 S	4/1995	Giuntoli et al.		7,505,793 B2	3/2009	Ryann	
5,469,505 A	11/1995	Gathey et al.		D589,932 S	4/2009	Komiyama	
D377,020 S	12/1996	Bungardt et al.		D590,372 S	4/2009	Melin	
5,706,359 A	1/1998	Chang		D591,263 S	4/2009	Shimizu	
D394,437 S	5/1998	Landreth et al.		7,519,196 B2	4/2009	Bech	
5,822,798 A	10/1998	Baxley		D592,640 S	5/2009	Tkachuk	
5,887,286 A	3/1999	Waldron		D601,126 S	9/2009	Christopher et al.	
6,038,329 A	3/2000	Lee		D601,543 S	10/2009	Bentley	
D430,140 S	8/2000	Roman		D602,001 S	10/2009	Bentley	
D432,526 S	10/2000	Claesson		D602,908 S	10/2009	Ham et al.	
6,154,539 A	11/2000	Pitel		D603,371 S	11/2009	Boateng et al.	
6,246,766 B1	6/2001	Walsh		D606,048 S	12/2009	Soetejo et al.	
D447,472 S	9/2001	McGugan		D608,351 S	1/2010	Song	
D464,943 S	10/2002	Lai		D617,780 S	6/2010	Jaakkola et al.	
D471,906 S	5/2003	Salazar et al.		D617,781 S	6/2010	Kallas et al.	
6,560,346 B2	5/2003	Ohta et al.		D625,705 S	10/2010	Ohuri et al.	
D478,901 S	8/2003	Rath et al.		D628,189 S	11/2010	Rath	
D480,072 S	9/2003	Ham		D632,668 S	2/2011	Brunner et al.	
6,622,029 B1	9/2003	Skulley et al.		D634,298 S	3/2011	Shimizu et al.	
D481,364 S *	10/2003	Kosumsuppamala	D13/168	D635,958 S	4/2011	Ando et al.	
D482,019 S	11/2003	Petersen et al.		D638,000 S	5/2011	Hoggarth	
D484,137 S	12/2003	Wikel et al.		7,962,970 B2	6/2011	Le Gette et al.	
D488,146 S	4/2004	Minto		D643,405 S	8/2011	Rath	
D490,399 S	5/2004	Kamo et al.		D645,847 S	9/2011	Chau	
6,768,804 B1	7/2004	Isvan		8,061,473 B1	11/2011	Kerr	
D494,154 S	8/2004	Polito		D654,472 S	2/2012	Fischer	
D494,571 S *	8/2004	Polito	D14/223	D657,740 S	4/2012	Prat-Pfister	
D494,957 S	8/2004	Rath et al.		D659,106 S *	5/2012	Paul	D13/168
D498,470 S	11/2004	Skulley et al.		D664,116 S	7/2012	Hutchieson	
D499,086 S *	11/2004	Polito	D14/218	D666,168 S	8/2012	Rath	
D504,419 S	4/2005	Bey et al.		D669,888 S	10/2012	Gougherty et al.	
D504,887 S	5/2005	Skulley		D673,523 S	1/2013	Brennwald	
D505,411 S	5/2005	Sakai		D673,929 S	1/2013	Combs et al.	
D505,413 S	5/2005	Skulley et al.		D676,378 S	2/2013	Kim et al.	
D505,414 S	5/2005	Ko et al.		D683,329 S	5/2013	Hagelin	
6,952,481 B2	10/2005	Larsen et al.		D684,559 S	6/2013	Groset et al.	
D511,492 S	11/2005	Allende Fritsch		D684,963 S	6/2013	Goodrich	
D514,086 S	1/2006	Skulley		D686,593 S	7/2013	Larsen	
D517,528 S	3/2006	Skulley		D687,808 S	8/2013	Combs et al.	
D518,479 S	4/2006	Skulley		D707,655 S	6/2014	Porter	
D519,990 S	5/2006	Lazor		8,838,029 B2	9/2014	Goldman et al.	
D520,464 S *	5/2006	Strong	D13/171	D719,135 S	12/2014	Kelley	
7,062,059 B1	6/2006	Bobisuthi		D730,873 S *	6/2015	Petterson	D14/218
7,106,877 B1	9/2006	Linville		D732,002 S	6/2015	Goransson	
D529,267 S	10/2006	Portzline		D733,113 S	6/2015	Krantz	
D529,900 S	10/2006	Skulley et al.		D747,293 S *	1/2016	Mistry	D13/168
D530,702 S	10/2006	Pritchard et al.		D760,177 S *	6/2016	Gassner	D13/168
D531,165 S	10/2006	Rath		D765,623 S	9/2016	Yang et al.	
7,120,268 B2	10/2006	Murozaki		D771,012 S	11/2016	Wagner	
D535,980 S	1/2007	Bentley et al.		D772,201 S *	11/2016	Lepchenske	D14/218
D537,813 S	3/2007	Hoehn et al.		D777,166 S	1/2017	Bidwell et al.	
D537,815 S	3/2007	Bentley et al.		9,609,413 B2	3/2017	Hsiao	
D538,785 S	3/2007	Skulley		D796,484 S *	9/2017	Chen	D14/218
D539,267 S	3/2007	Komiyama		D799,449 S *	10/2017	Yoon	D14/218
7,190,330 B2	3/2007	Travers et al.		D799,450 S *	10/2017	Lee	D14/218
D539,788 S	4/2007	Thompson et al.		D806,676 S	1/2018	Fuglsang	
D539,789 S	4/2007	Rausch et al.		D811,371 S *	2/2018	Meyer	D14/218
D540,303 S	4/2007	Rausch et al.		D813,805 S	3/2018	Zhong	
D540,313 S	4/2007	Rausch et al.		D814,413 S	4/2018	Zhong	
D540,778 S	4/2007	Thompson et al.		D822,638 S	7/2018	Liu	
D541,256 S	4/2007	Rausch et al.		D824,913 S	8/2018	Bidwell et al.	
7,209,177 B2	4/2007	Lapalme et al.		D826,851 S	8/2018	Wang	
D554,116 S	10/2007	Liu et al.		D827,568 S	9/2018	Turksu et al.	
D563,382 S	3/2008	Wikel		D827,617 S	9/2018	Dillon	
D566,051 S *	4/2008	Govindasamy	D13/168	D830,339 S	10/2018	Yan	
D568,808 S	5/2008	Hamasaki		D847,782 S	5/2019	Wernblad	
D571,354 S	6/2008	Ng		D847,783 S	5/2019	Wernblad et al.	
7,391,863 B2	6/2008	Viduya et al.		D847,784 S	5/2019	Wernblad et al.	
D572,188 S	7/2008	Prat-Pfister		2003/0072466 A1	4/2003	Eisenbraun	
D574,368 S	8/2008	Chapman		2005/0286717 A1	12/2005	Viduya et al.	
D578,508 S	10/2008	Wang		2007/0004236 A1	1/2007	Suenaga	
D581,371 S *	11/2008	Richmond	D13/168	2009/0074196 A1	3/2009	Tiodor et al.	
D587,683 S	3/2009	Ham et al.		2011/0135134 A1	6/2011	Essabar et al.	
D587,684 S	3/2009	Ham et al.		2011/0206393 A1	8/2011	Nakazato et al.	
				2011/0228925 A1	9/2011	Birch	
				2011/0306393 A1	12/2011	Goldman et al.	
				2012/0163616 A1	6/2012	Birch	

(56)

**References Cited**

U.S. PATENT DOCUMENTS

2012/0328119 A1 12/2012 Heise  
2015/0086058 A1 3/2015 Harms et al.  
2016/0119702 A1 4/2016 Matsui et al.

OTHER PUBLICATIONS

Satechi Aluminum Headphone Stand and USB Hub Review, YouTube  
online, post date Feb. 6, 2016, <URL: [https://www.youtube.com/  
watch?v=bVosH0ADleg](https://www.youtube.com/watch?v=bVosH0ADleg) >, retrieved Apr. 11, 2019.

\* cited by examiner

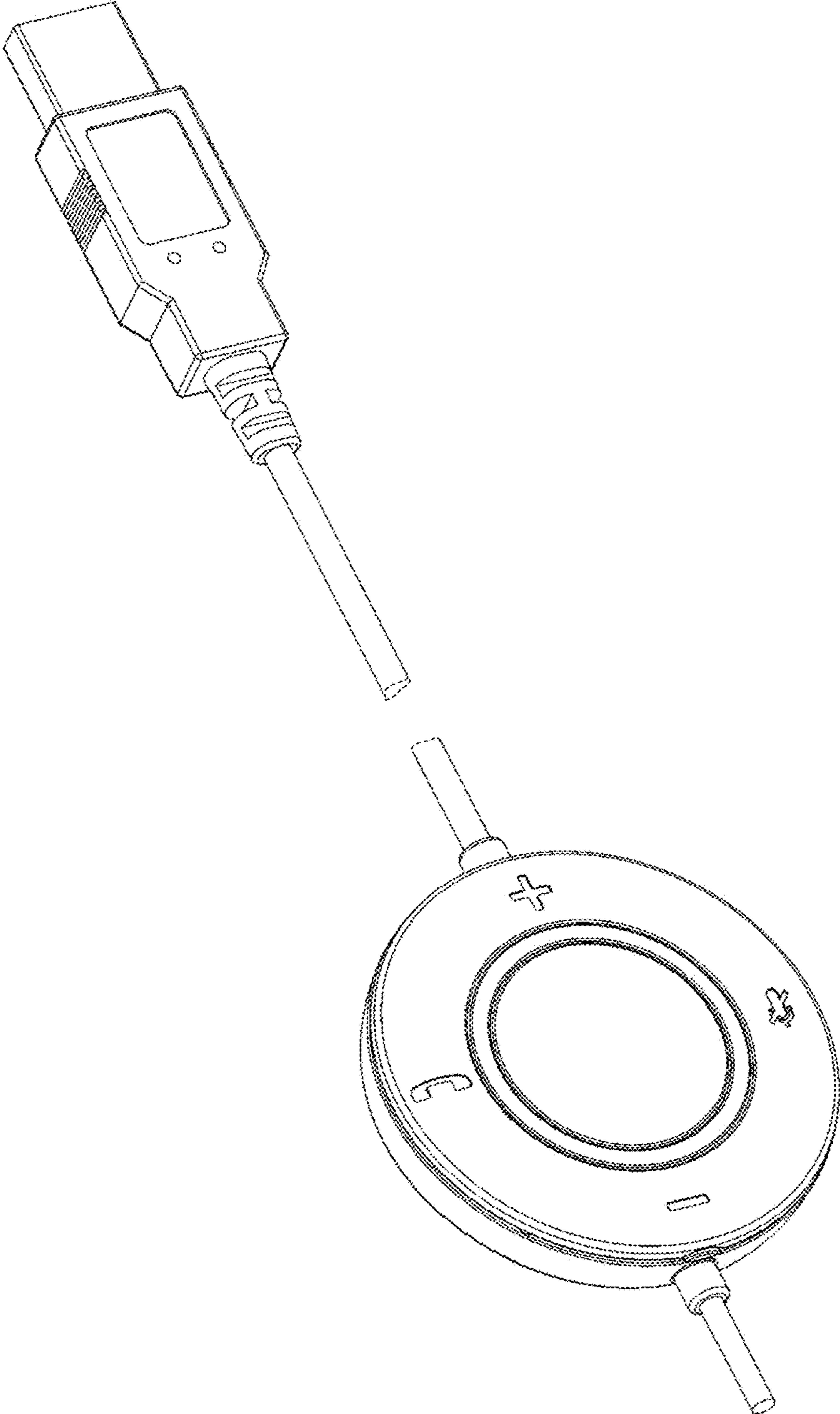


FIGURE 1

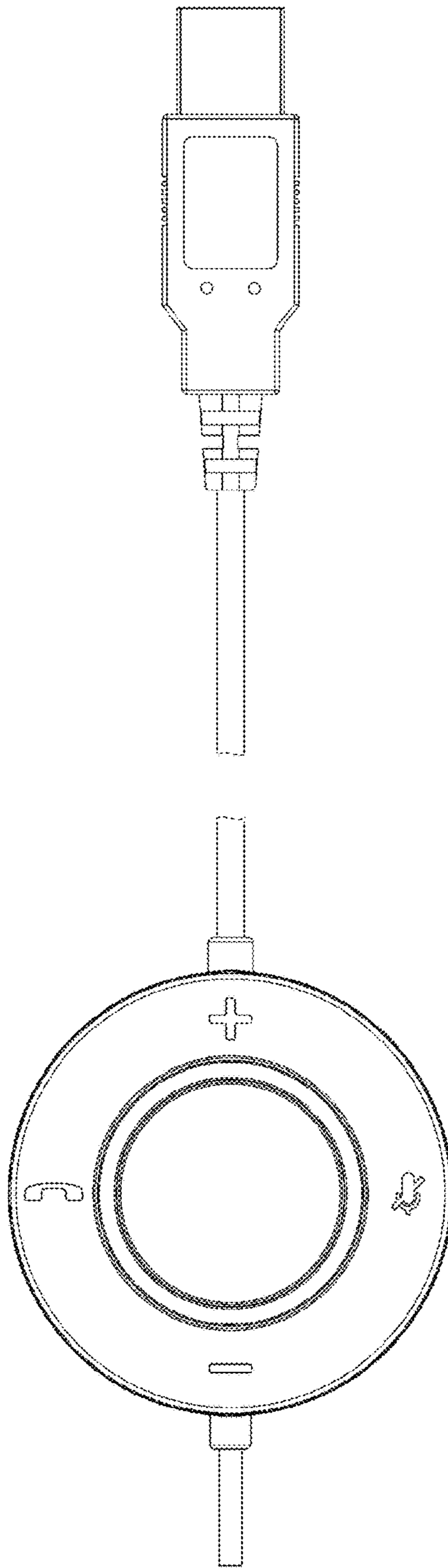


FIGURE 2

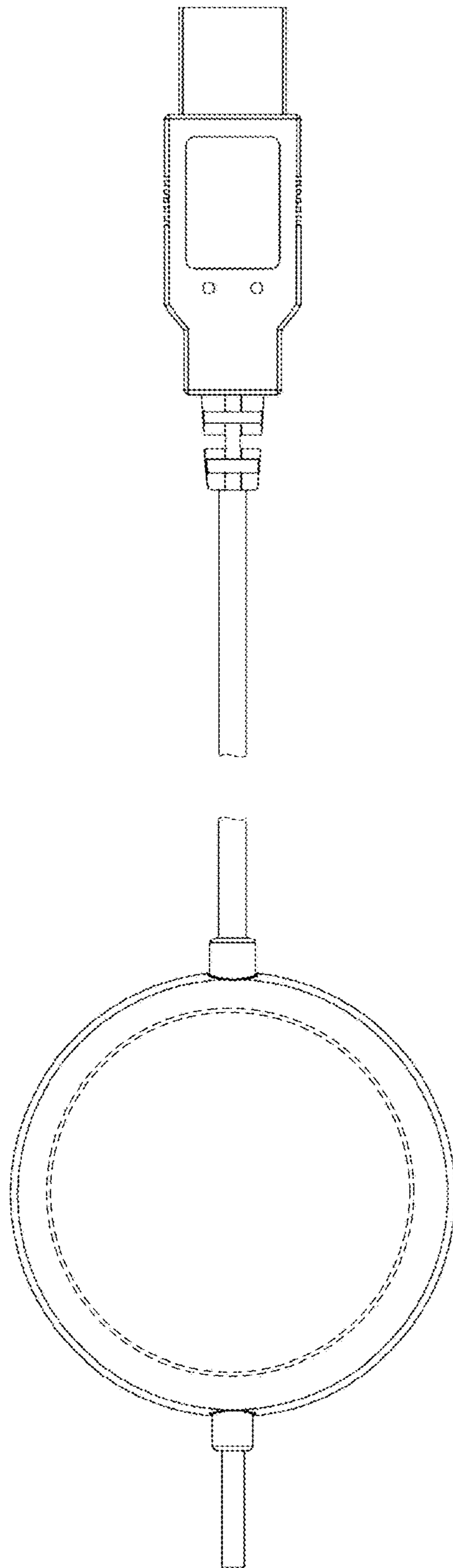


FIGURE 3

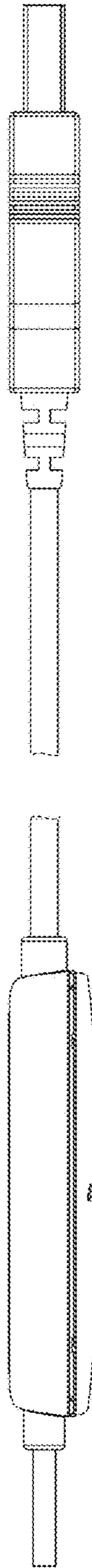


FIGURE 4

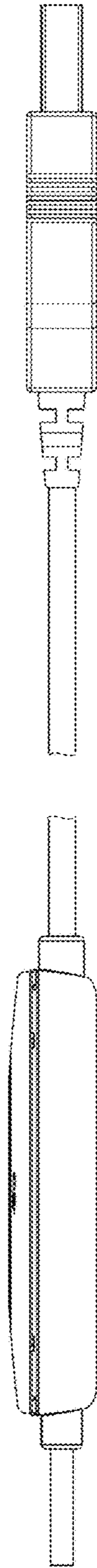
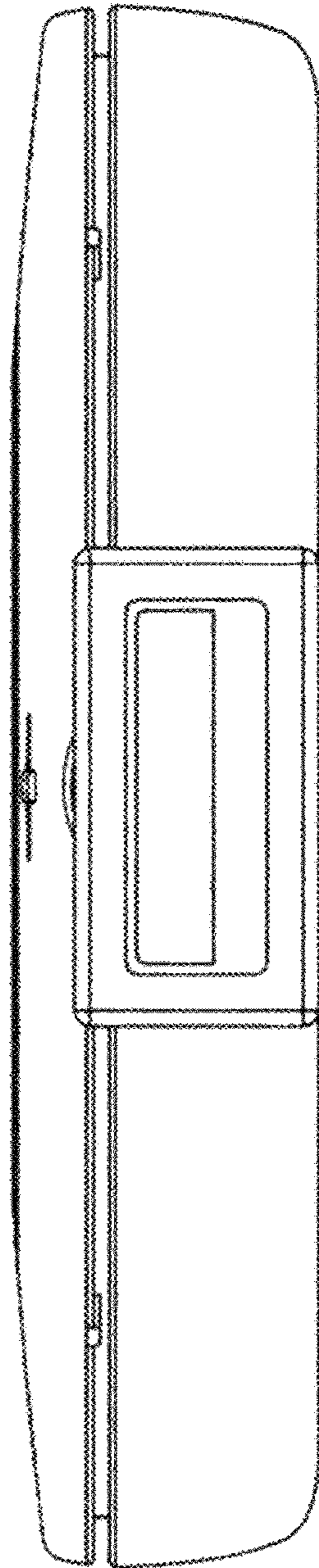


FIGURE 5





**FIGURE 6**

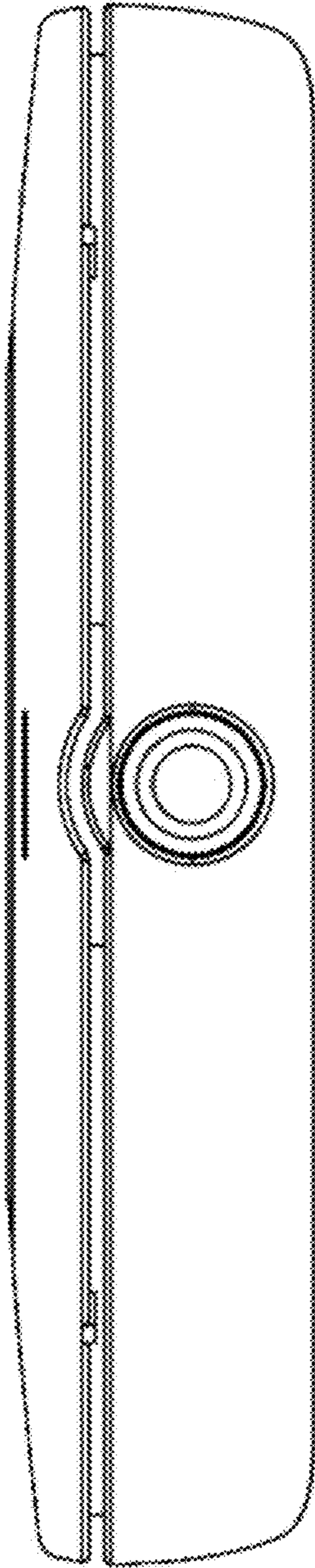


FIGURE 7