



US00D863254S

(12) **United States Design Patent**  
**Hu**

(10) **Patent No.:** **US D863,254 S**

(45) **Date of Patent:** **\*\* Oct. 15, 2019**

(54) **HEADSET**

(71) Applicant: **SHENZHEN QIANHAI PATUOXUN NETWORK AND TECHNOLOGY CO., LTD**, Shenzhen (CN)

(72) Inventor: **Zaihui Hu**, Shenzhen (CN)

(73) Assignee: **SHENZHEN QIANHAI PATUOXUN NETWORK AND TECHNOLOGY CO., LTD**, Shenzhen (CN)

(\*\*) Term: **15 Years**

(21) Appl. No.: **29/696,846**

(22) Filed: **Jul. 1, 2019**

(30) **Foreign Application Priority Data**

Jan. 2, 2019 (CN) ..... 2019 3 0001080

(51) **LOC (12) Cl.** ..... **14-01**

(52) **U.S. Cl.**  
USPC ..... **D14/206; D14/226**

(58) **Field of Classification Search**  
USPC ..... D14/206, 205, 225, 226; D24/174;  
128/864, 865, 866; 181/129, 130, 135;  
379/430, 431; 381/380, 381, 370, 374,  
381/379, 326, 322, 327, 328; 455/90.3,  
455/575.1, 569.1  
CPC ..... H04R 25/00; H04R 1/10; H04R 1/1066;  
H04R 1/1016; H04R 5/033; H04R  
5/0335; H04R 1/105; H04R 1/083  
See application file for complete search history.

(56) **References Cited**

**U.S. PATENT DOCUMENTS**

D179,150 S \* 11/1956 Norris ..... D14/192  
D200,051 S \* 1/1965 Wassman ..... D14/228  
D251,234 S \* 3/1979 Hakansson ..... D10/46  
4,617,431 A \* 10/1986 Scott ..... H04M 1/05  
181/20

D295,403 S \* 4/1988 Oleson ..... D14/225  
4,757,546 A \* 7/1988 Akino ..... H04R 1/342  
381/357  
D354,568 S \* 1/1995 Araki ..... D24/174  
D357,477 S \* 4/1995 Mueller ..... D14/206  
D384,958 S \* 10/1997 Shudo ..... D14/206  
D385,036 S \* 10/1997 Nielsen ..... D24/174  
D395,894 S \* 7/1998 Hern ..... D14/227  
6,101,260 A \* 8/2000 Jensen ..... H04M 1/05  
379/430  
D439,890 S \* 4/2001 Skulley ..... D14/206  
D443,603 S \* 6/2001 Taylor ..... D14/206  
D444,143 S \* 6/2001 Andreini ..... D14/228  
D447,472 S \* 9/2001 McGugan ..... D14/225

(Continued)

**FOREIGN PATENT DOCUMENTS**

EM 003149418-0001 \* 5/2016  
EM 003149418-0001 6/2016

*Primary Examiner* — Paula Allen Greene

(74) *Attorney, Agent, or Firm* — JCIP Global Inc.

(57) **CLAIM**

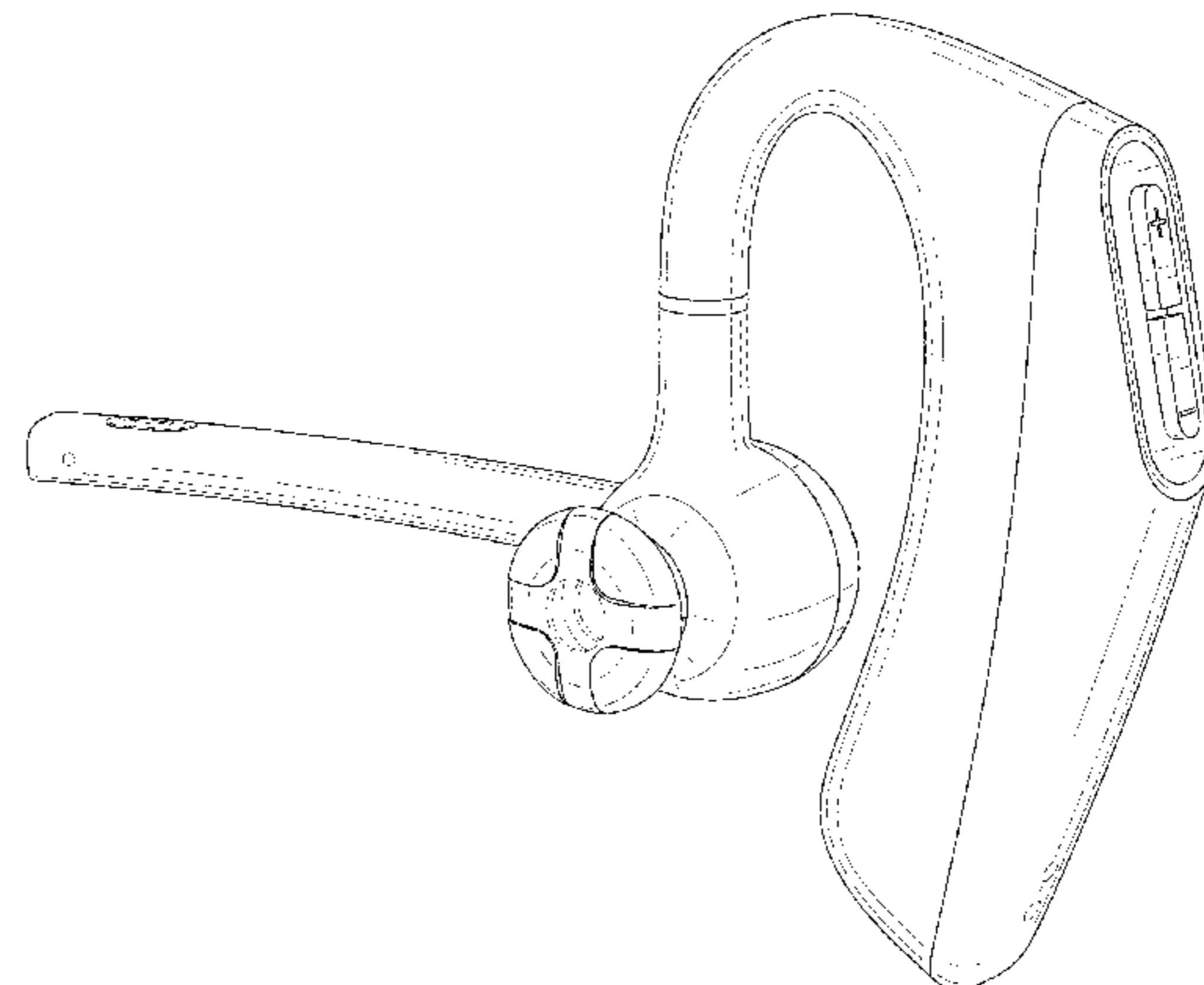
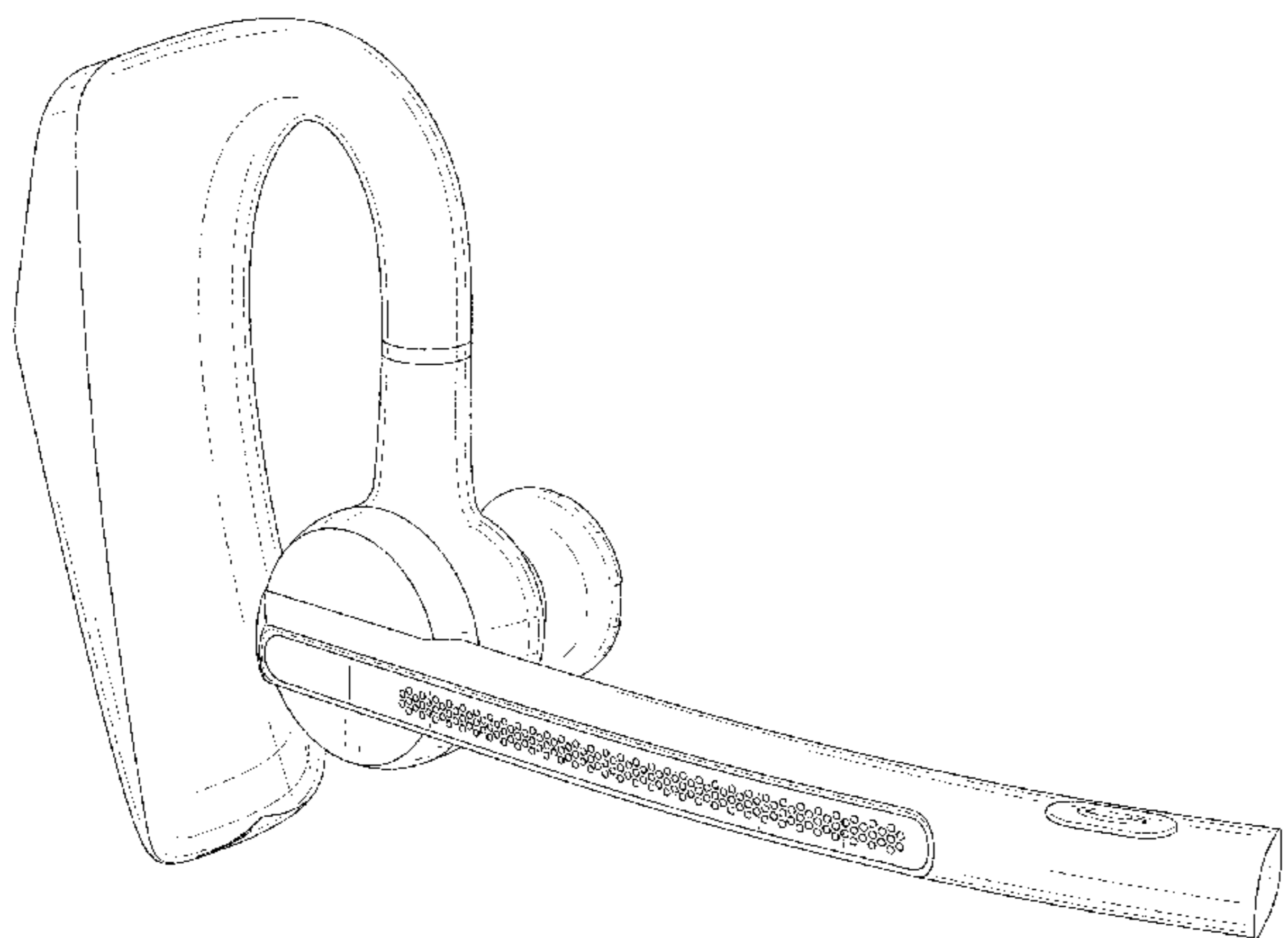
The ornamental design for a headset, as shown and described.

**DESCRIPTION**

FIG. 1 is a first perspective view of a headset showing my new design;  
FIG. 2 is a second perspective view thereof;  
FIG. 3 is a front view thereof;  
FIG. 4 is a rear view thereof;  
FIG. 5 is a left side view thereof;  
FIG. 6 is a right side view thereof;  
FIG. 7 is a top view thereof; and,  
FIG. 8 is a bottom view thereof.

The broken line portions of the headset in FIGS. 1, 4, 5 and 8 represent unclaimed portions of the claimed design and form no part thereof.

**1 Claim, 7 Drawing Sheets**



(56)

References Cited

U.S. PATENT DOCUMENTS

D447,473 S *	9/2001	Chuang	D13/151	D540,778 S *	4/2007	Thompson	D14/206
D447,743 S *	9/2001	Ma	D14/223	D541,787 S *	5/2007	Ma	D14/205
D449,290 S *	10/2001	Taylor	D14/206	D557,255 S *	12/2007	Shintani	D14/206
D451,907 S *	12/2001	Amae	D14/206	D572,234 S *	7/2008	Reda	D14/205
D452,857 S *	1/2002	Hong	D14/206	D581,900 S *	12/2008	Caddes	D14/206
D455,417 S *	4/2002	Bey	D14/206	D584,719 S *	1/2009	Brennwald	D14/205
D457,635 S *	5/2002	Dittli	D24/174	D603,372 S *	11/2009	Bentley	D14/206
D458,247 S *	6/2002	Davies	D14/206	D612,834 S *	3/2010	Yang	D14/206
D463,784 S *	10/2002	Taylor	D14/206	D612,835 S *	3/2010	Yang	D14/206
D464,943 S *	10/2002	Lai	D14/206	D612,840 S *	3/2010	Yang	D14/206
D464,951 S *	10/2002	Skulley	D14/142	D619,566 S *	7/2010	Yu	D14/223
D468,721 S *	1/2003	Nguyen	D14/205	D621,817 S *	8/2010	Brickstad	D14/223
D469,081 S *	1/2003	Perszyk	D14/205	D628,188 S *	11/2010	Koch	D14/205
D470,121 S *	2/2003	Nguyen	D14/205	D628,194 S *	11/2010	Koch	D14/223
D470,478 S *	2/2003	Kohli	D14/223	D647,877 S *	11/2011	Son	D14/206
D474,171 S *	5/2003	Suzuki	D14/206	D653,649 S *	2/2012	Yang	D14/206
D474,178 S *	5/2003	Eroma	D14/205	D657,347 S *	4/2012	Chung	D14/206
6,560,346 B2 *	5/2003	Ohta	H04R 1/083 381/370	D663,847 S *	7/2012	Dubs	D24/174
D476,645 S *	7/2003	Padala	D14/223	D667,121 S *	9/2012	Mori	D24/174
D477,821 S *	7/2003	Bieltvedt	D14/206	D670,267 S *	11/2012	Maddern	D14/206
D480,072 S *	9/2003	Ham	D14/223	D671,915 S *	12/2012	Birger	D14/206
D490,398 S *	5/2004	Gwee	D14/205	8,374,370 B2 *	2/2013	Zhang	A61B 5/121 381/322
D490,399 S *	5/2004	Kamo	D14/206	D681,002 S *	4/2013	Ham	D14/205
6,768,804 B1 *	7/2004	Isvan	H04R 1/083 181/20	D681,003 S *	4/2013	Ham	D14/206
D498,227 S *	11/2004	Dyer	D14/205	D681,014 S *	4/2013	Ham	D14/206
D504,419 S *	4/2005	Bey	D14/223	D681,602 S *	5/2013	Koch	D14/205
D504,673 S *	5/2005	Dyer	D14/205	D699,215 S *	2/2014	Koch	D14/205
D504,887 S *	5/2005	Skulley	D14/223	D705,936 S *	5/2014	Lockenwitz	D24/174
D505,413 S *	5/2005	Skulley	D14/223	D717,771 S *	11/2014	Harper	D14/223
D506,258 S *	6/2005	Nielsen	D24/174	D726,147 S *	4/2015	Tran	D14/206
D506,462 S *	6/2005	Han	D14/205	D750,043 S *	2/2016	Birger	D14/206
D511,156 S *	11/2005	Eroma	D14/205	9,307,311 B2 *	4/2016	Tran	H04R 1/10
D512,984 S *	12/2005	Ham	D14/205	D755,159 S *	5/2016	Birger	D14/206
D515,074 S *	2/2006	Jacobson	D14/225	D784,290 S *	4/2017	Paterson	D14/205
D517,528 S *	3/2006	Skulley	D14/206	D784,291 S *	4/2017	Paterson	D14/206
D518,473 S *	4/2006	Gwee	D14/205	D789,331 S *	6/2017	Paterson	D14/225
D518,479 S *	4/2006	Skulley	D14/225	D797,076 S *	9/2017	Zhang	D14/206
D519,498 S *	4/2006	Ham	D14/225	D800,692 S *	10/2017	Tan	D14/206
D520,496 S *	5/2006	Gwee	D14/205	D804,035 S *	11/2017	Gabathuler	D24/174
D521,492 S *	5/2006	Ham	D14/205	D812,040 S *	3/2018	Yan	D14/206
7,089,042 B2 *	8/2006	Bodley	H04M 1/05 381/104	D830,338 S *	10/2018	Yan	D14/206
7,106,873 B1 *	9/2006	Harrison	H04R 25/456 381/330	D836,599 S *	12/2018	Duan	D14/206
D530,819 S *	10/2006	Jurkiewicz	D24/174	D838,688 S *	1/2019	Liu	D14/206
D535,980 S *	1/2007	Bentley	D14/225	D851,065 S *	6/2019	Yan	D14/206
D537,815 S *	3/2007	Bentley	D14/206	2005/0129259 A1 *	6/2005	Gamer	H04R 1/083 381/172
D539,266 S *	3/2007	Bentley	D14/205	2005/0259812 A1 *	11/2005	Chen	H04M 1/05 379/431
D539,789 S *	4/2007	Rausch	D14/225	2013/0322646 A1 *	12/2013	Davie	H04R 1/1041 381/74
D540,313 S *	4/2007	Rausch	D14/225	2015/0237434 A1 *	8/2015	Tran	H04R 1/1008 381/380
				2017/0339498 A1 *	11/2017	Vandyke	H04R 25/60

\* cited by examiner

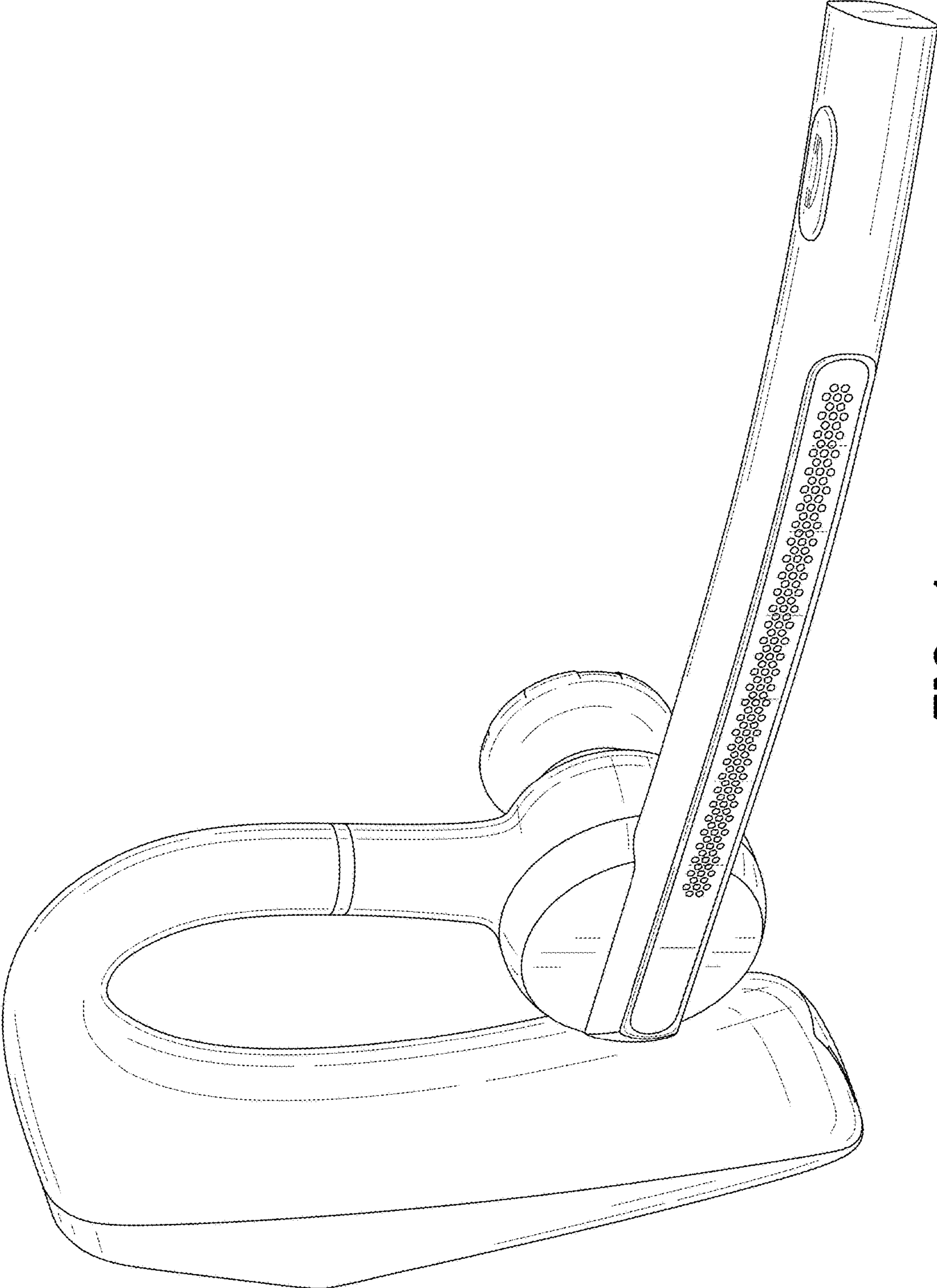


FIG. 1

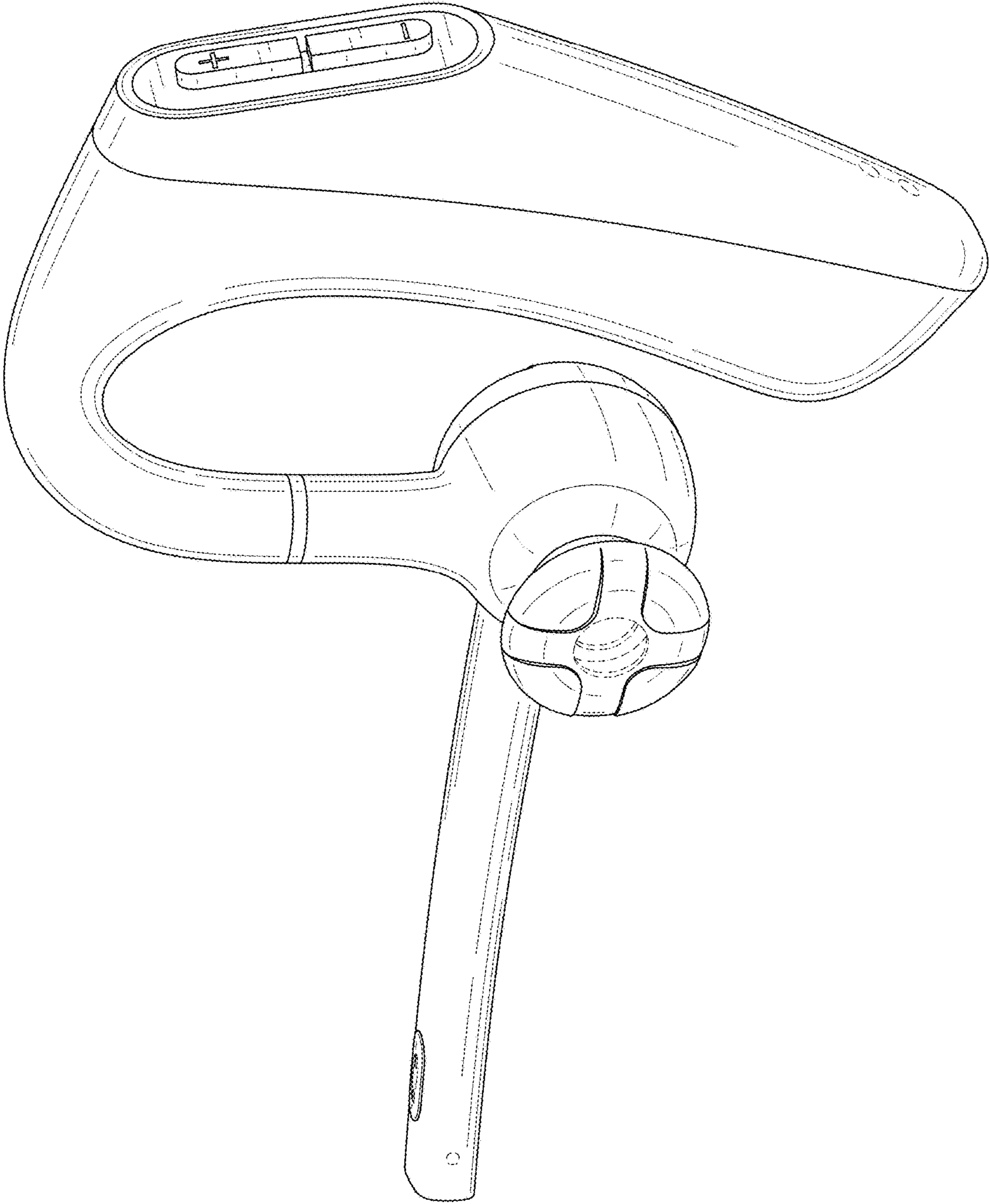


FIG. 2

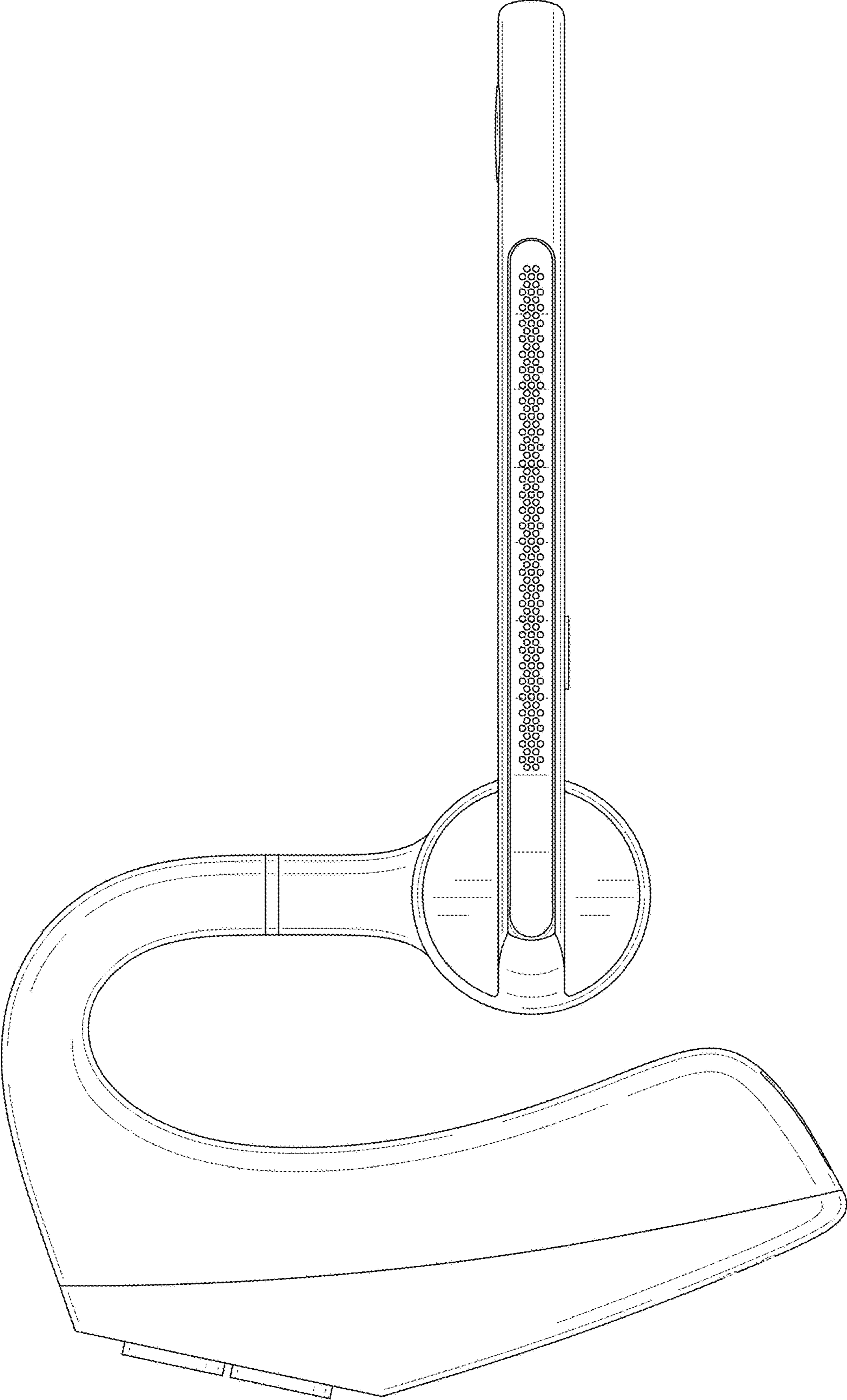


FIG. 3

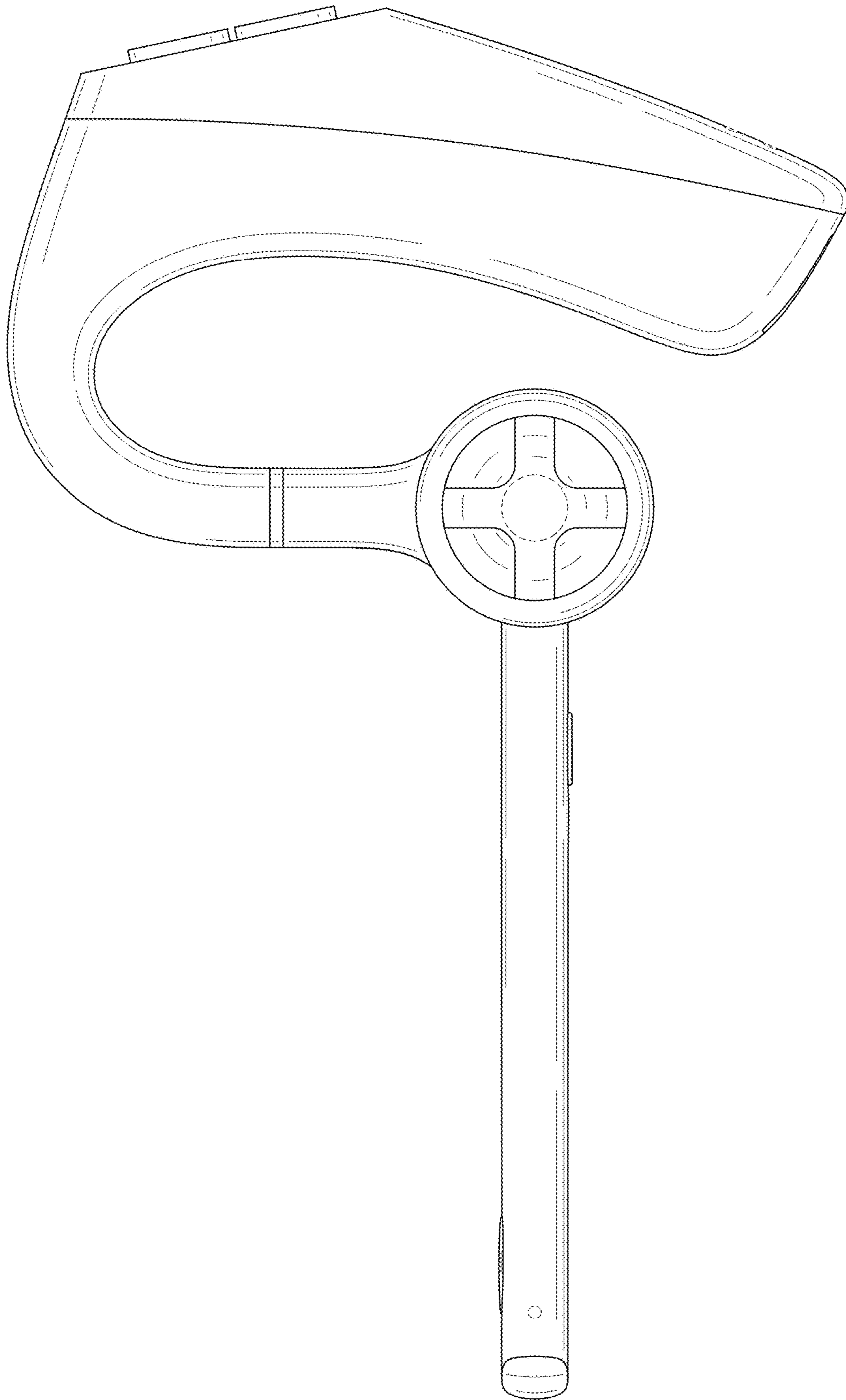


FIG. 4

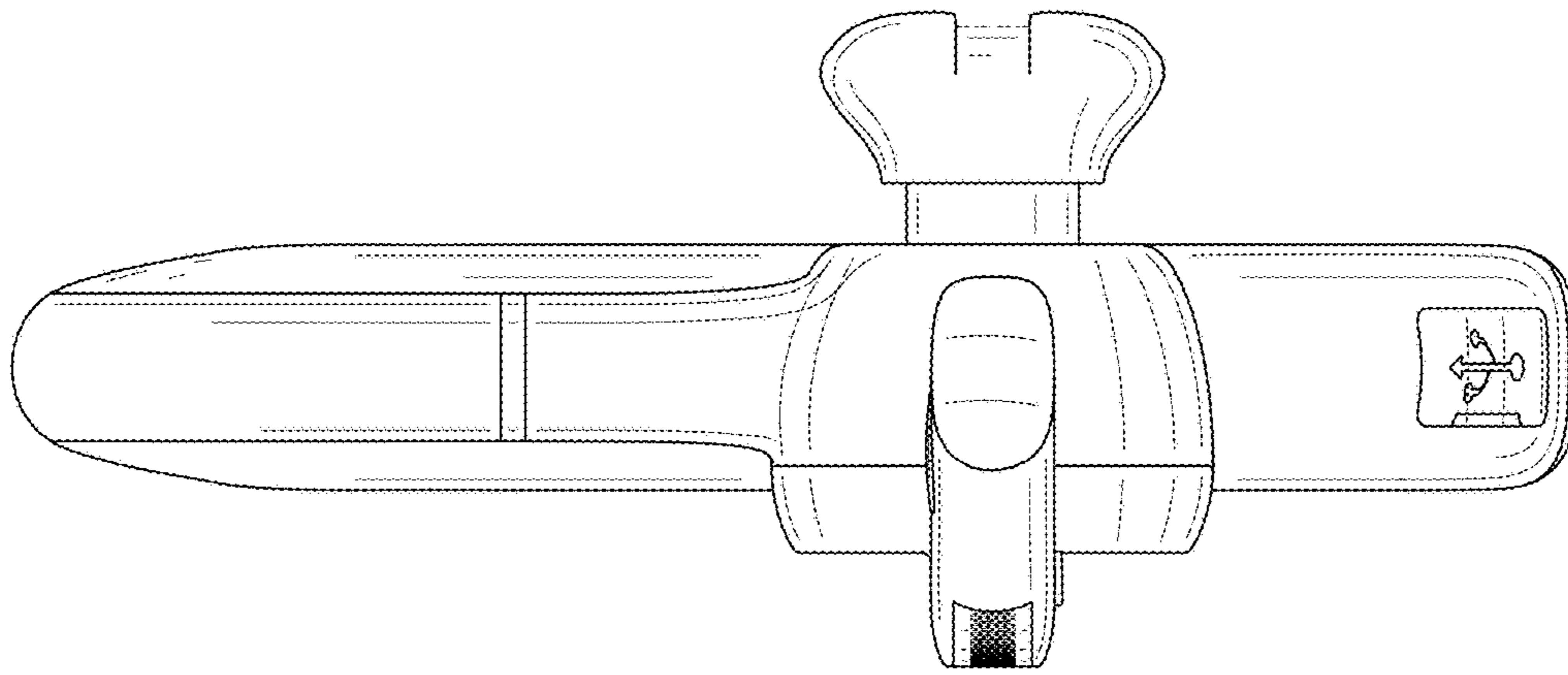


FIG. 6

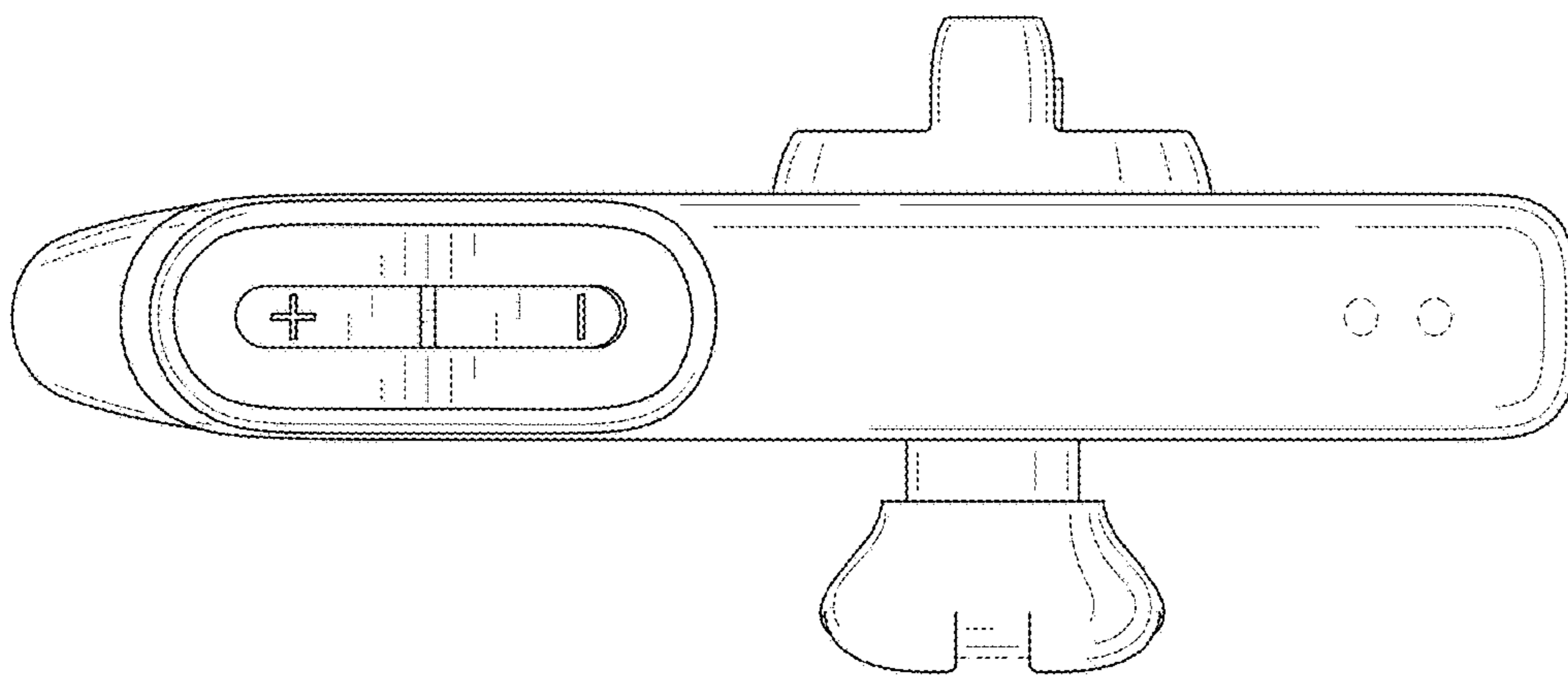


FIG. 5

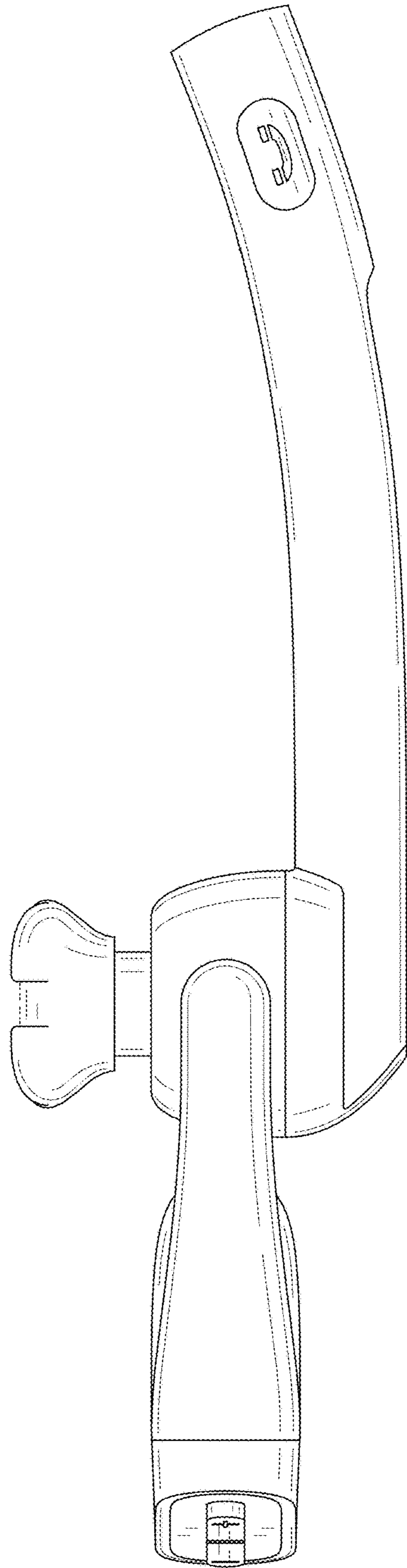


FIG. 7



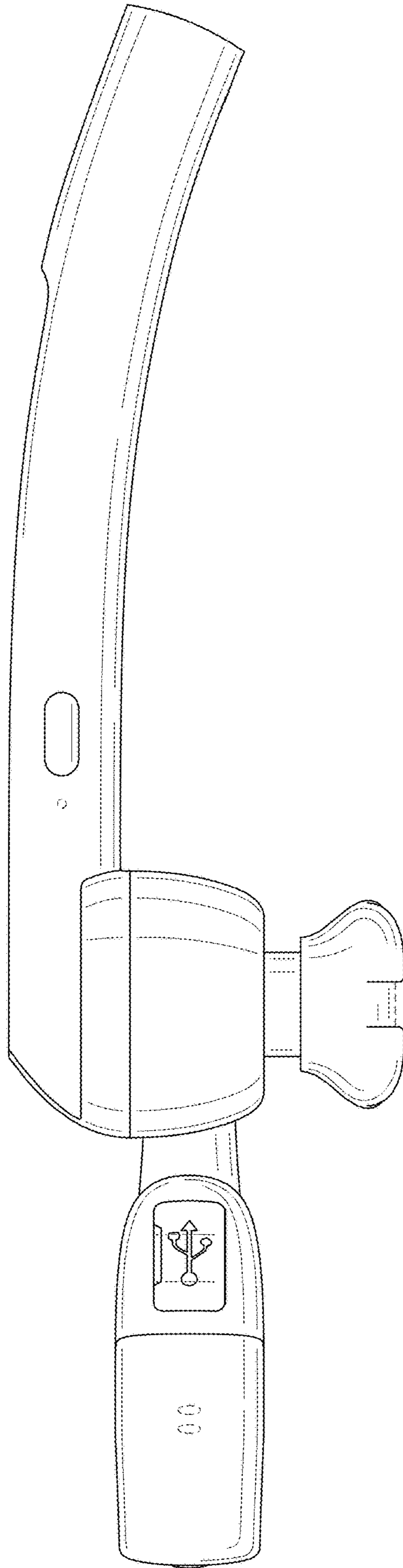


FIG. 8