



US00D863253S

(12) **United States Design Patent**
He

(10) **Patent No.:** **US D863,253 S**

(45) **Date of Patent:** **** Oct. 15, 2019**

(54) **PAIR OF CAT EAR HEADPHONES**

(71) Applicant: **Shenzhen Thousandshores Technology Co., Ltd., Shenzhen (CN)**

(72) Inventor: **Eric He, Shenzhen (CN)**

(**) Term: **15 Years**

(21) Appl. No.: **29/635,126**

(22) Filed: **Jan. 29, 2018**

(51) **LOC (12) Cl.** **14-01**

(52) **U.S. Cl.**
USPC **D14/205**

(58) **Field of Classification Search**

USPC D14/205, 188, 192, 207; D28/41;
132/273, 276, 277; D29/112; 2/209;
181/129, 130, 135; 379/430, 431;
381/380, 381, 374; 455/90.3, 575.1,
455/569.1; D21/617; 446/189
CPC H04R 25/00; H04R 25/02; H04R 1/1066;
H04R 1/1016; H04R 5/033; H04R
5/0335; H04R 1/02

See application file for complete search history.

(56) **References Cited**

U.S. PATENT DOCUMENTS

1,554,149 A * 9/1925 Wager A45D 27/10
424/43
D155,702 S * 10/1949 Ganine D21/617
D166,603 S * 4/1952 Hartman D7/302
D180,052 S * 4/1957 Young D2/869
2,947,091 A * 8/1960 McCrary A61F 5/44
116/67 R
4,547,171 A * 10/1985 Horimoto A63H 3/02
446/370
D302,791 S * 8/1989 Ferrero D9/611
D348,349 S * 7/1994 Blackwell D2/872
5,517,695 A * 5/1996 Murray A42B 1/248
2/181.4

D380,023 S * 6/1997 Sisler D21/617
D382,562 S * 8/1997 Leifer D14/207
D383,136 S * 9/1997 Leifer D14/205
D386,182 S * 11/1997 Leifer D14/172
D390,588 S * 2/1998 Wang D16/310
D394,340 S * 5/1998 Kennard D2/869
D400,554 S * 11/1998 Wang D16/310
D431,550 S * 10/2000 Yoneda D14/205
D455,801 S * 4/2002 Chang D21/617
D458,759 S * 6/2002 Landauer D21/659
D482,393 S * 11/2003 Hui D19/116
D512,708 S * 12/2005 Harris, Jr. D14/205
D514,087 S * 1/2006 Wilson D14/206
D530,308 S * 10/2006 Topping D14/207
D538,261 S * 3/2007 Taylor D14/205
D541,255 S * 4/2007 Taylor D14/205
7,388,960 B2 * 6/2008 Kuo H04R 1/1041
379/430

(Continued)

FOREIGN PATENT DOCUMENTS

CN 201630472850.1 * 9/2016
CN 201630601621.5 * 12/2016

Primary Examiner — Paula Allen Greene

(74) *Attorney, Agent, or Firm* — Erson IP (Nelson IP)

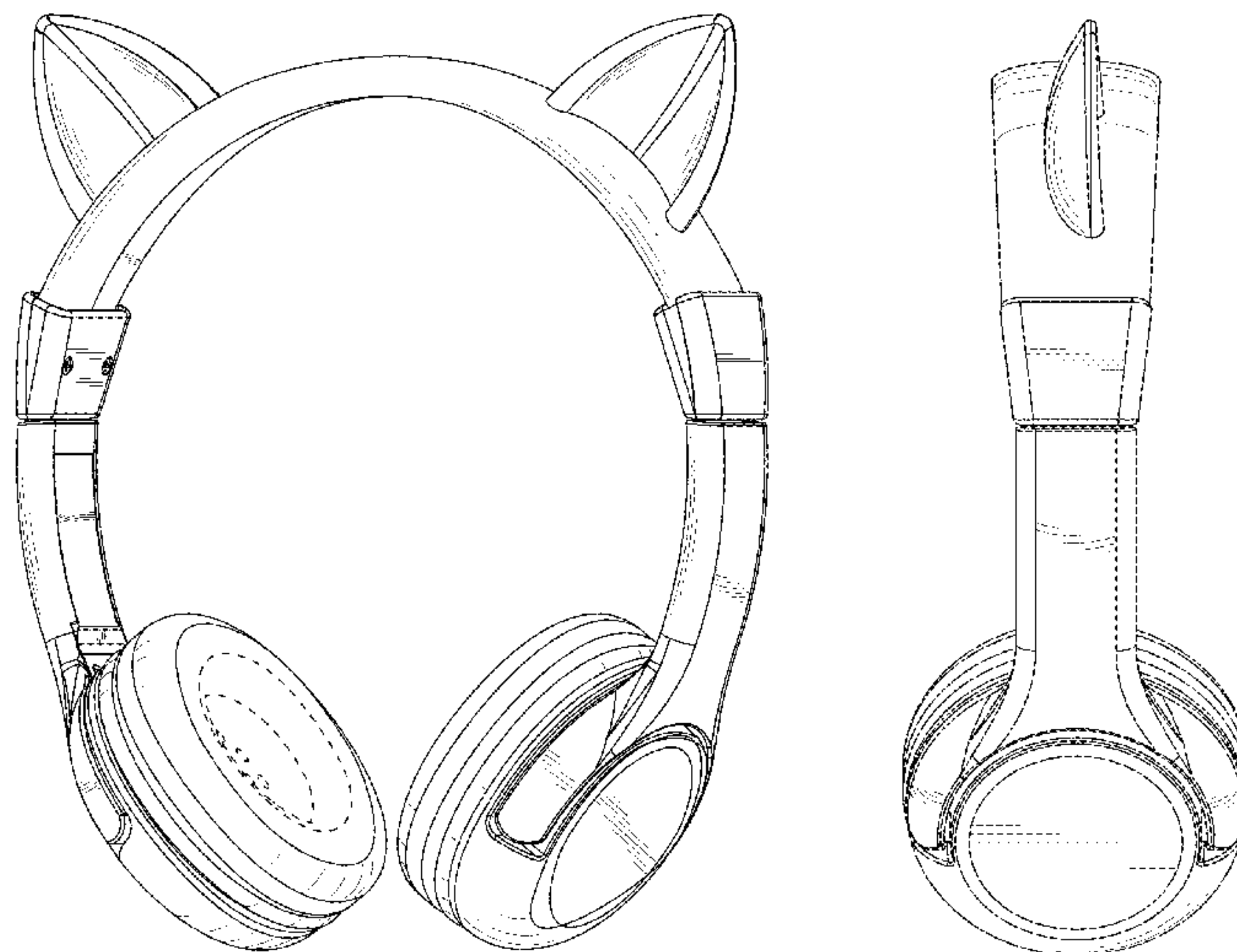
(57) **CLAIM**

The ornamental design for a pair of cat ear headphones, as shown and described.

DESCRIPTION

FIG. 1 is a perspective view showing my design;
FIG. 2 is a front view showing my design;
FIG. 3 is a back view showing my design;
FIG. 4 is a left side view showing my design;
FIG. 5 is a right side view showing my design;
FIG. 6 is a top plan view showing my design; and,
FIG. 7 is a bottom plan view showing my design.
The broken lines depict environment that forms no part of the claimed design.

1 Claim, 7 Drawing Sheets



(56)

References Cited

U.S. PATENT DOCUMENTS

D573,581	S	*	7/2008	Gondo	D14/205
D585,871	S	*	2/2009	Lee	D14/205
D589,682	S	*	4/2009	Knab	D2/869
D589,684	S	*	4/2009	Knab	D2/869
D643,065	S	*	8/2011	van der Lande	D19/142
D657,006	S	*	4/2012	Wallick	D21/576
D665,775	S	*	8/2012	Katsumata	D14/205
D677,648	S	*	3/2013	Lee	D14/206
D685,283	S	*	7/2013	Katoh	D11/1
8,559,665	B2	*	10/2013	Schmidt	H04R 1/1066 381/370
D711,347	S	*	8/2014	Gan	H04R 1/1066 D14/205
D717,764	S	*	11/2014	Lee	D14/205
D719,136	S	*	12/2014	Schaal	D14/205
D721,052	S	*	1/2015	Carr	D14/205
D729,196	S	*	5/2015	Liu	D14/205
D733,092	S	*	6/2015	Gan	D14/205
D757,679	S	*	5/2016	Yan	D14/205
D758,508	S	*	6/2016	Chuang	D21/617
D795,837	S	*	8/2017	Cai	D14/205
D800,691	S	*	10/2017	Ando	D14/205
D801,948	S	*	11/2017	Picunko	D14/205
D808,358	S	*	1/2018	Dennis	D14/205
D813,195	S	*	3/2018	Huang	D14/205
D815,060	S	*	4/2018	Ando	D14/205
10,021,487	B2	*	7/2018	Yan	H04R 5/0335
D828,326	S	*	9/2018	Ye	D14/205
D836,084	S	*	12/2018	Xie	D14/205
2009/0032051	A1	*	2/2009	Defenbaugh	A45D 8/20 132/277

* cited by examiner



Fig. 1



Fig. 2



Fig. 3

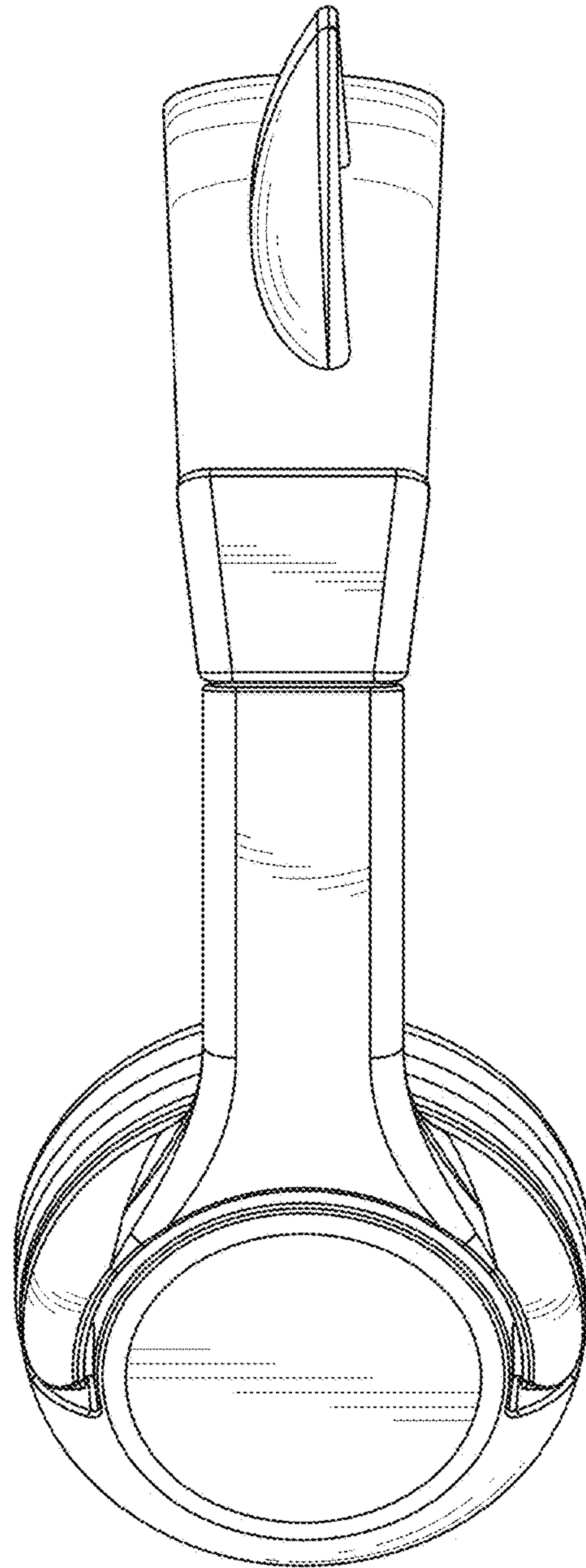


Fig. 4

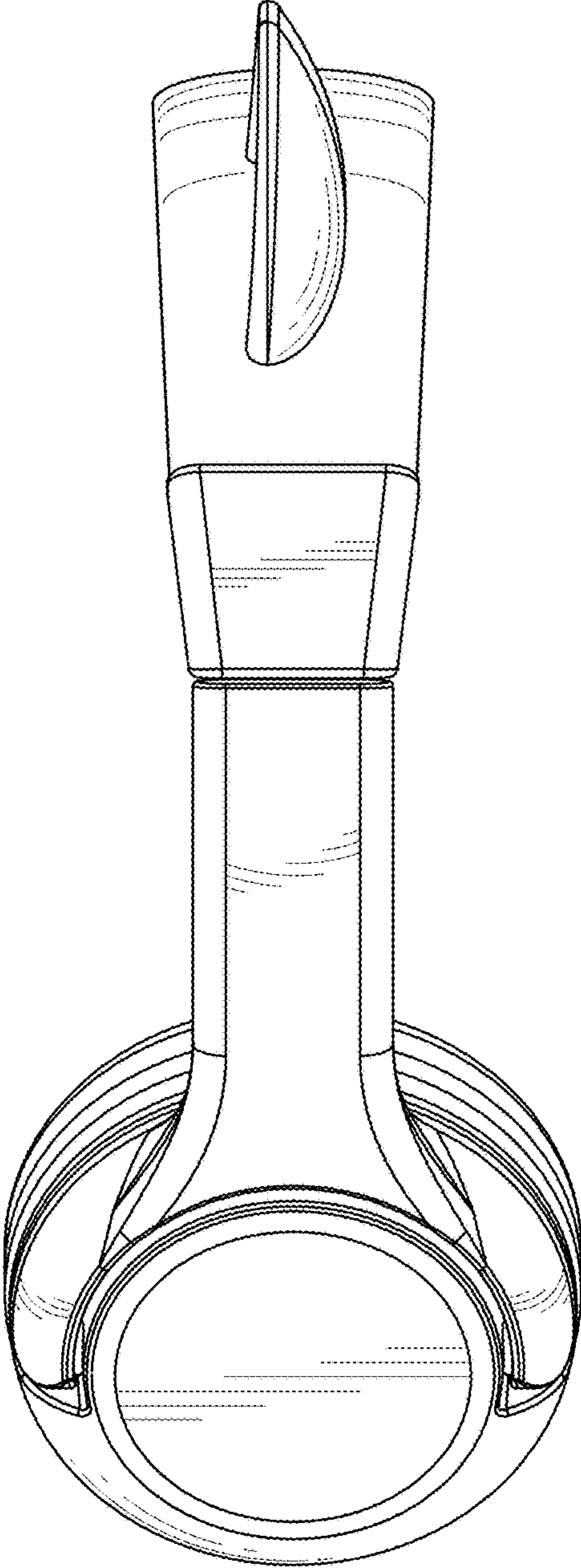


Fig. 5

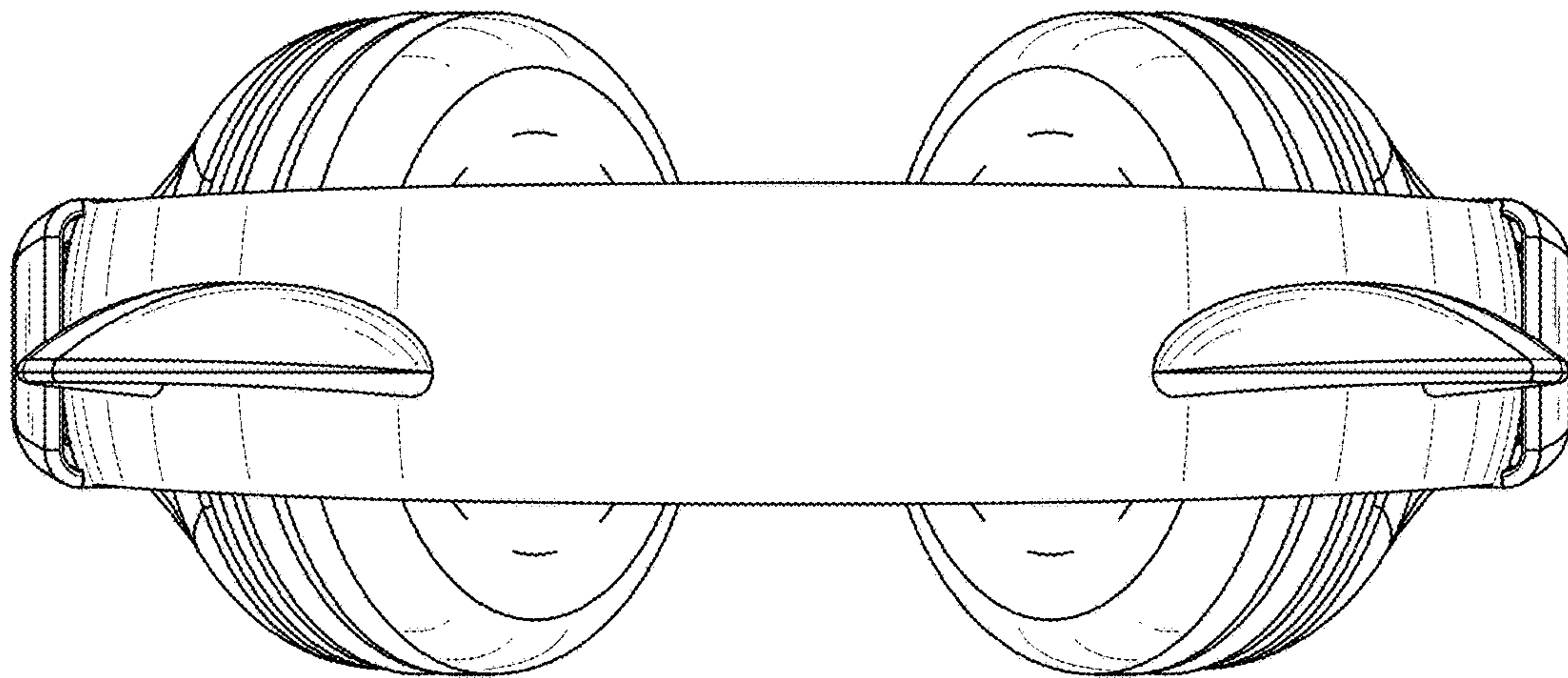


Fig. 6

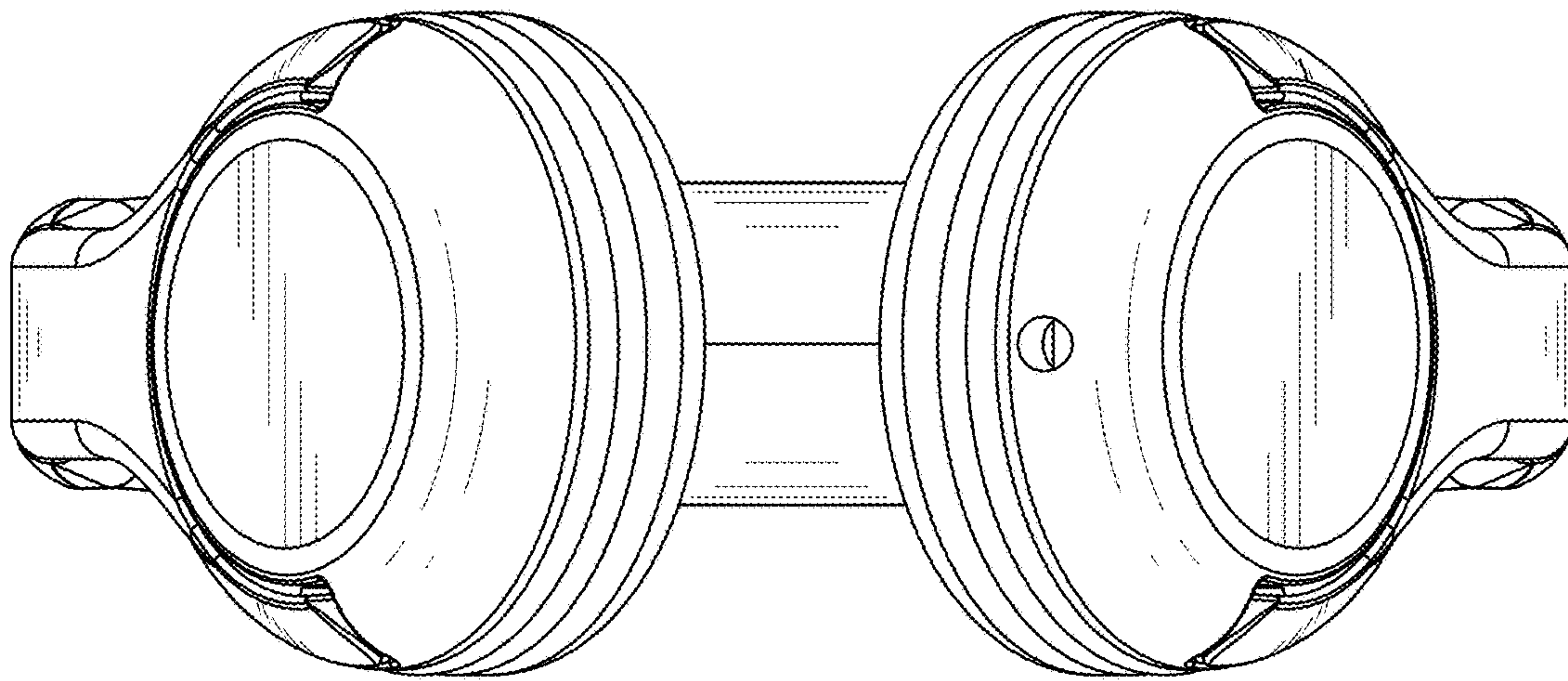


Fig. 7