



US00D863252S

(12) **United States Design Patent**
Yan

(10) **Patent No.:** **US D863,252 S**

(45) **Date of Patent:** **** Oct. 15, 2019**

(54) **TURNTABLE**

(71) Applicant: **Doudou Yan**, Guangdong (CN)

(72) Inventor: **Doudou Yan**, Guangdong (CN)

(**) Term: **15 Years**

(21) Appl. No.: **29/649,212**

(22) Filed: **May 29, 2018**

(51) **LOC (12) Cl.** **14-01**

(52) **U.S. Cl.**
USPC **D14/202**

(58) **Field of Classification Search**
USPC D14/199-203, 261; 369/264-265;
312/8.1, 8.13
CPC B60R 11/02; B60K 37/04; B60K 37/06;
H04B 1/08; H04B 1/082; G11B 17/16;
G11B 23/00; G11B 19/16; G11B 33/02;
G11B 3/07; G11B 25/04

See application file for complete search history.

(56) **References Cited**

U.S. PATENT DOCUMENTS

D57,410 S * 3/1921 Dogson D14/202
1,546,931 A * 7/1925 Hinckley G11B 25/04
312/7.1
1,811,628 A * 6/1931 Hollerith, Jr. G11B 33/02
217/60 C
2,556,421 A * 6/1951 Gee, Jr. G11B 33/027
369/137

3,180,447 A * 4/1965 Huff G11B 33/02
181/145
D454,858 S * 3/2002 Chan G11B 25/04
D14/199
D459,716 S * 7/2002 Chan D14/199

OTHER PUBLICATIONS

Victrola Wooden Nostalgic Record Player, published Feb. 13, 2017. https://www.tractorsupply.com/tsc/product/victrola-wooden-6-in-1-nostalgic-record-player-with-bluetooth-and-3-speed-turntable-graphite?cm_vc=-10005.*

* cited by examiner

Primary Examiner — Sandra L Morris

(74) *Attorney, Agent, or Firm* — Justin Lampel

(57) **CLAIM**

The ornamental design for a turntable, as shown and described.

DESCRIPTION

FIG. 1 is a perspective view of a turntable showing my new design;

FIG. 2 is a front side view thereof;

FIG. 3 is a rear side view thereof;

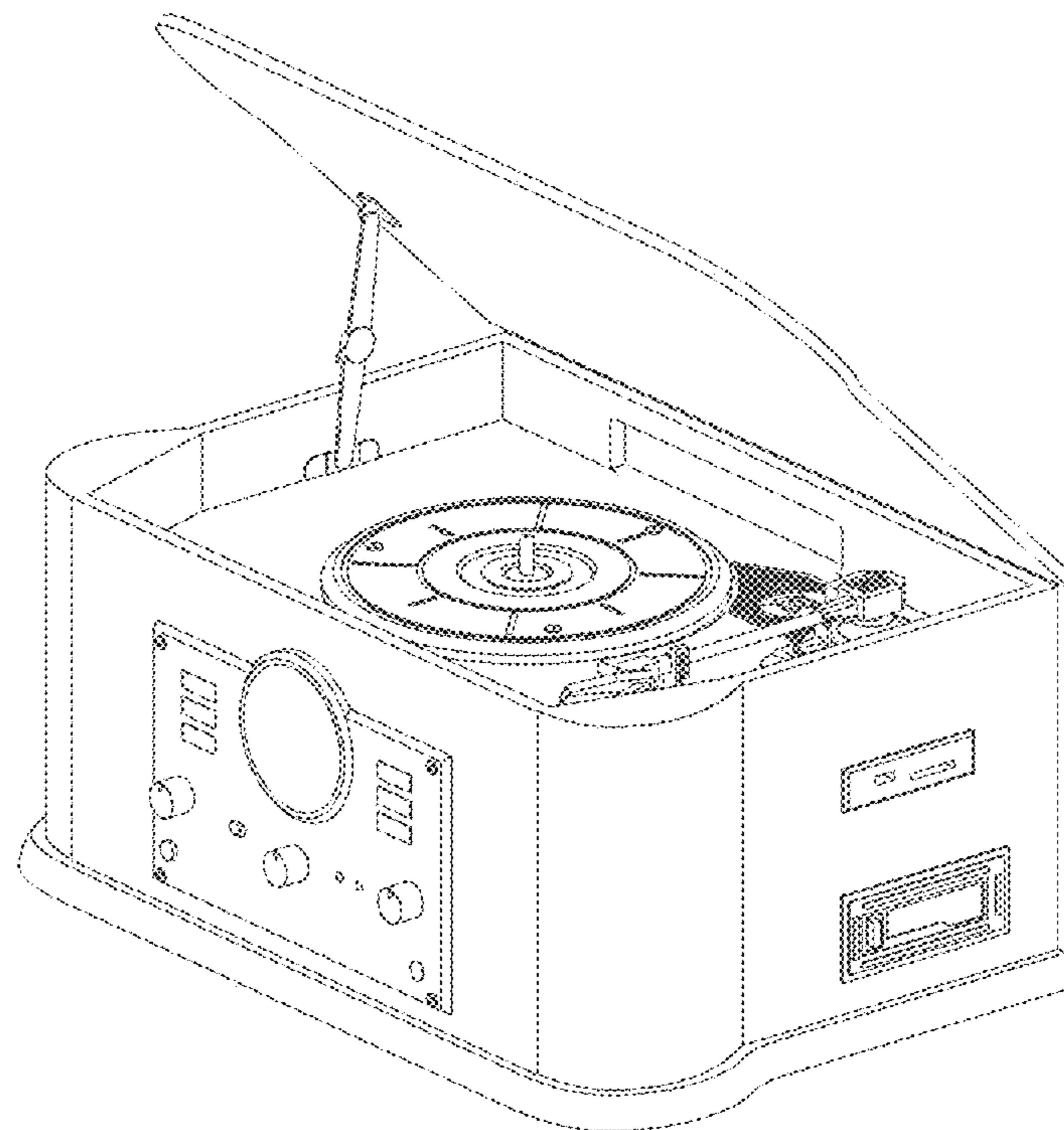
FIG. 4 is a right side view thereof;

FIG. 5 is a left side view thereof;

FIG. 6 is a bottom plan view thereof; and,

FIG. 7 is a top plan view thereof.

1 Claim, 7 Drawing Sheets



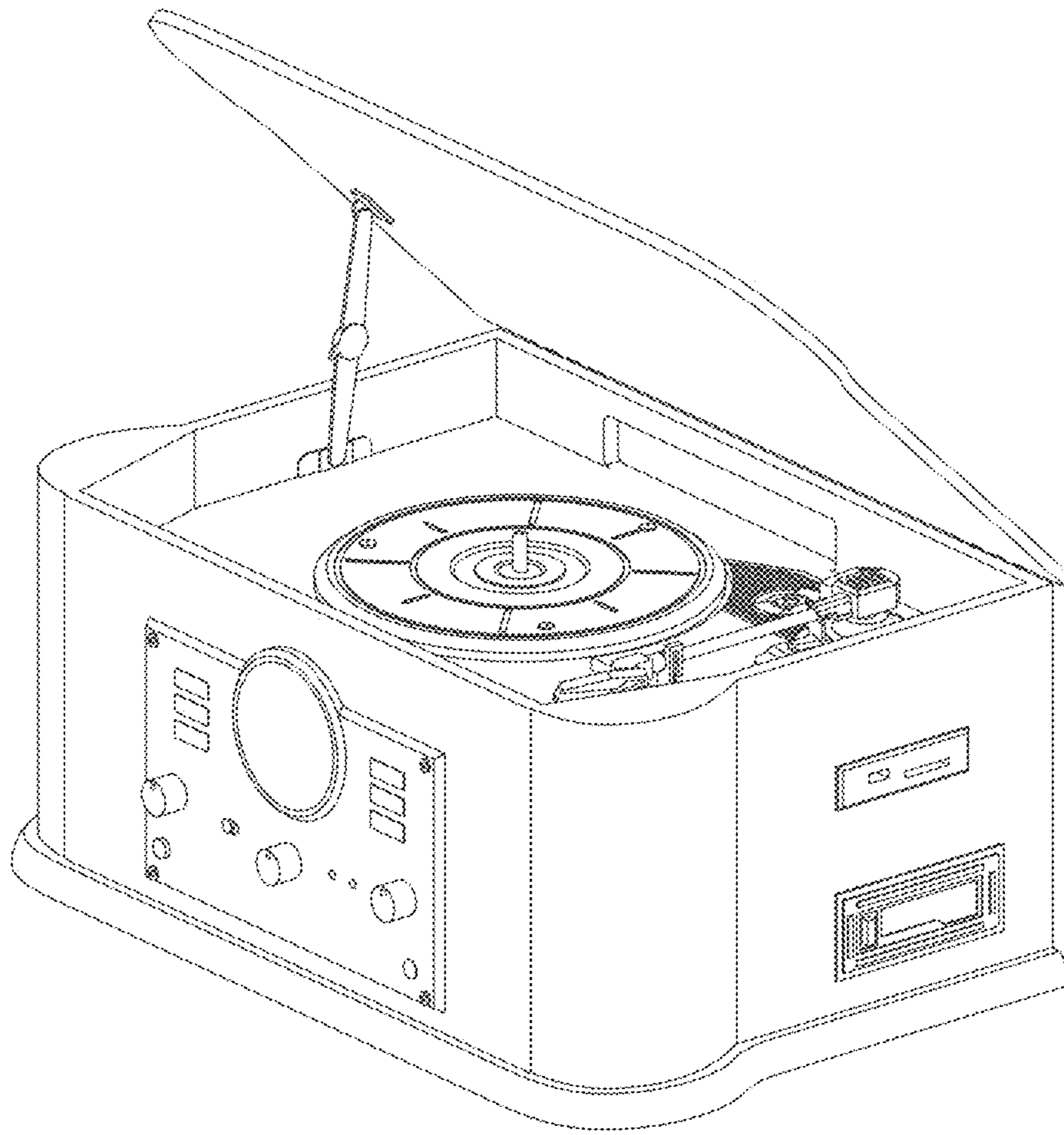


FIG. 1

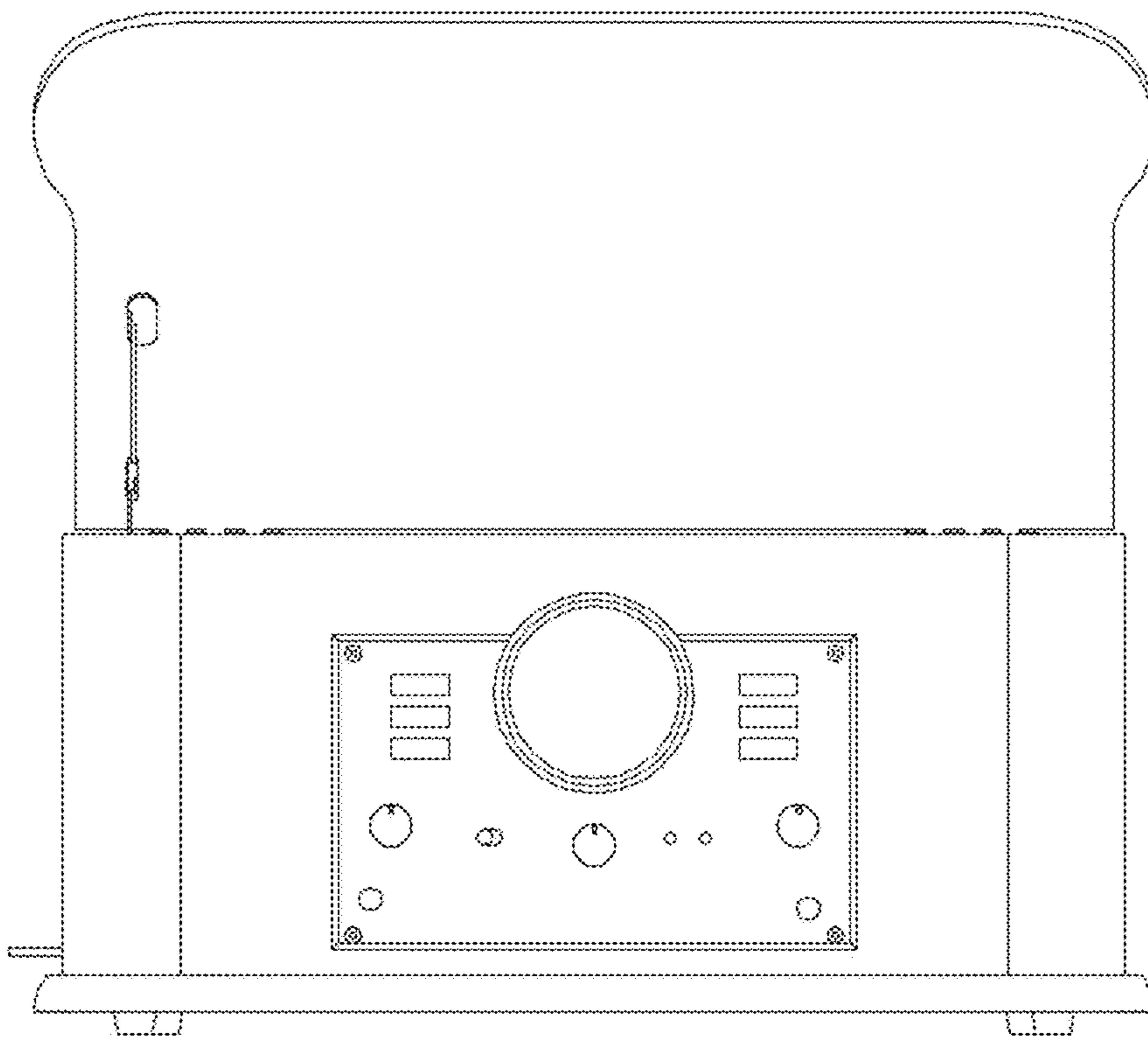


FIG. 2

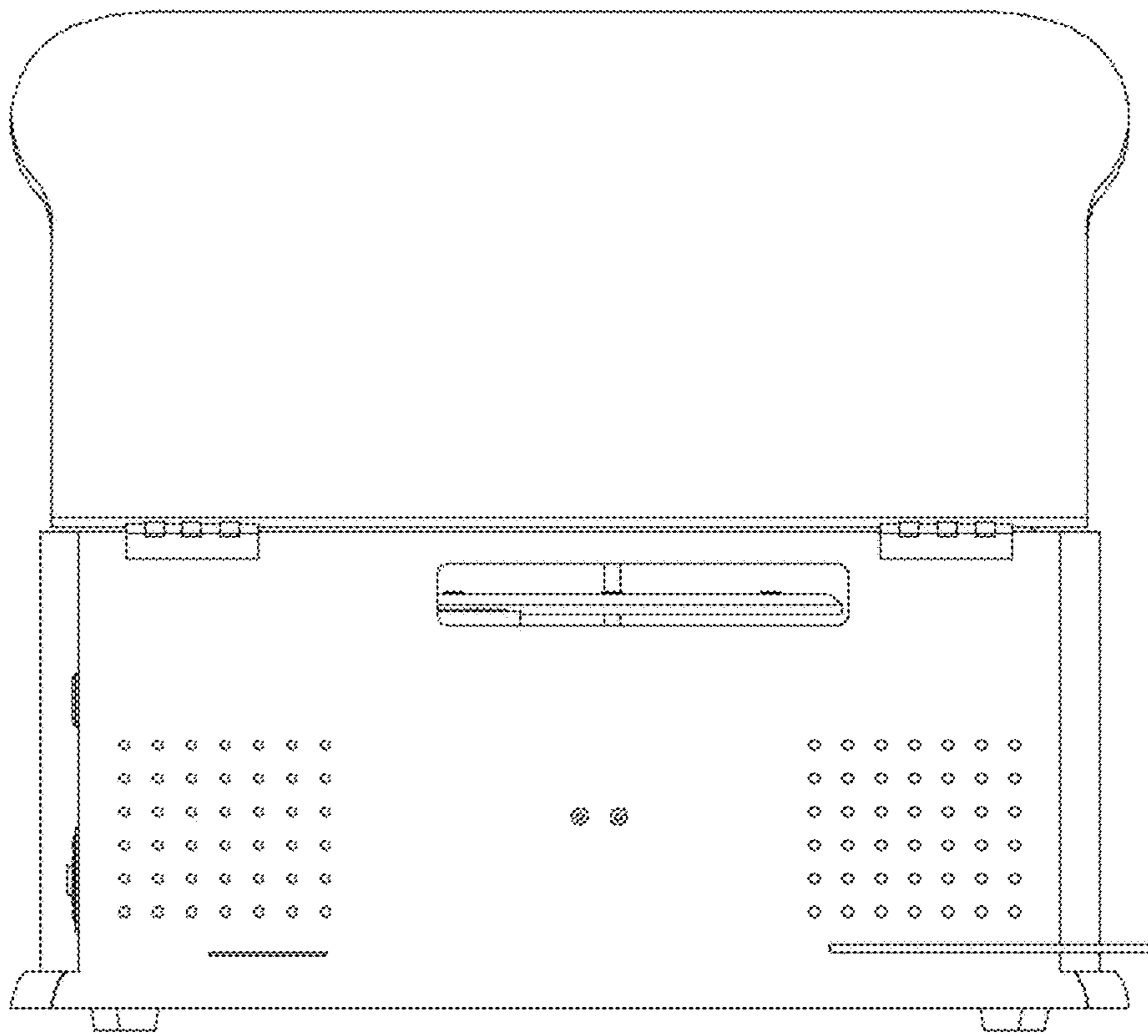


FIG. 3

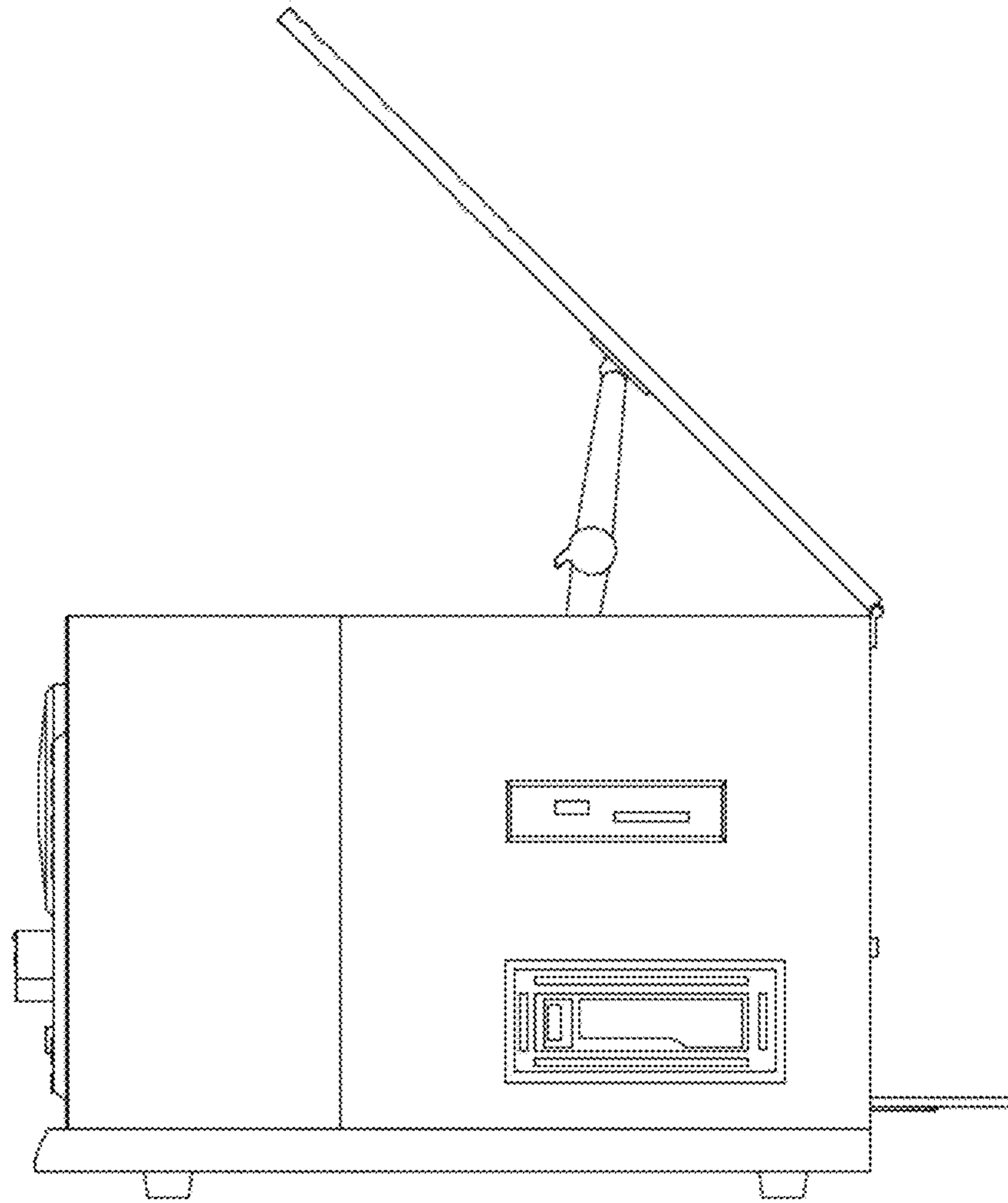


FIG. 4

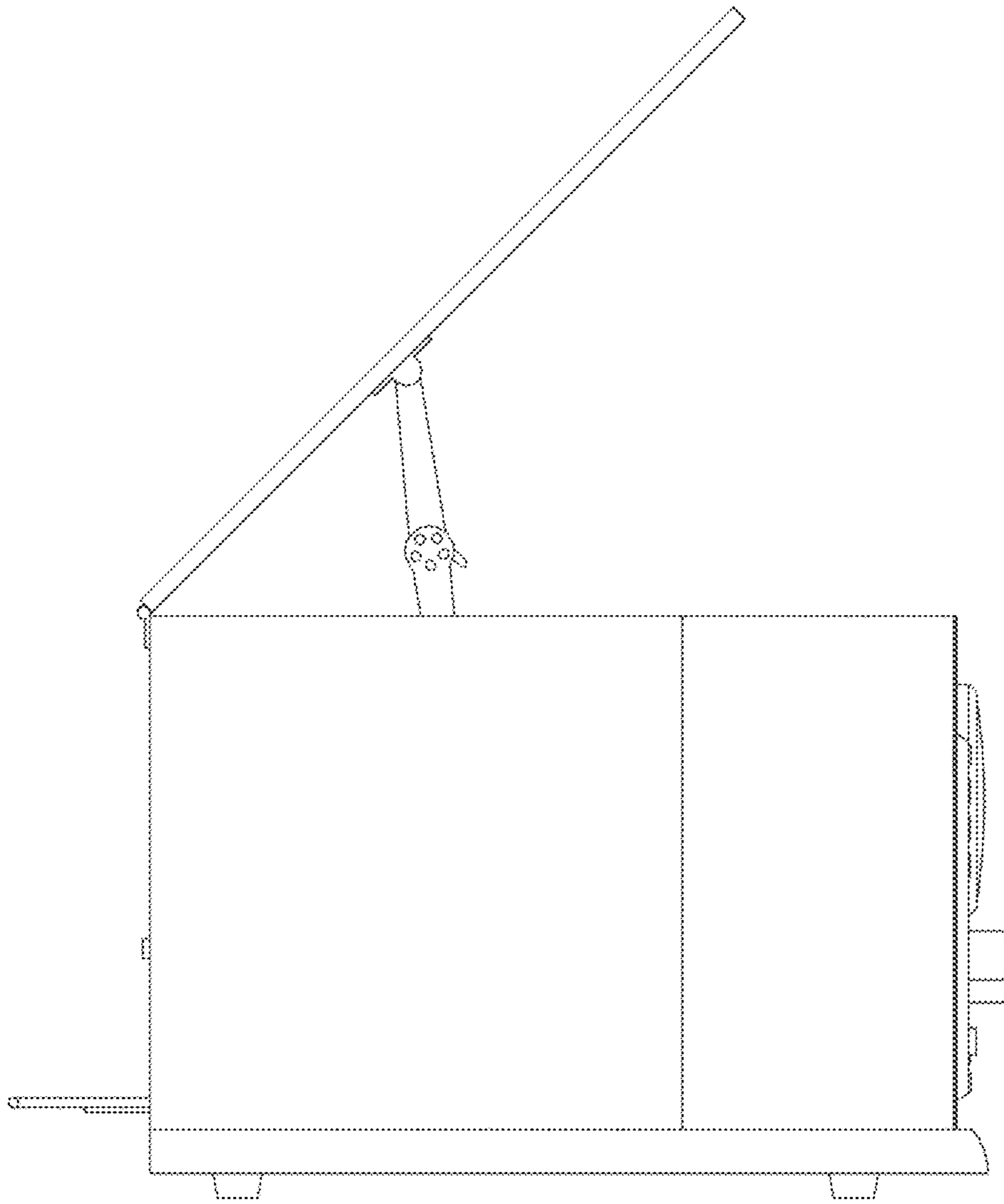


FIG. 5

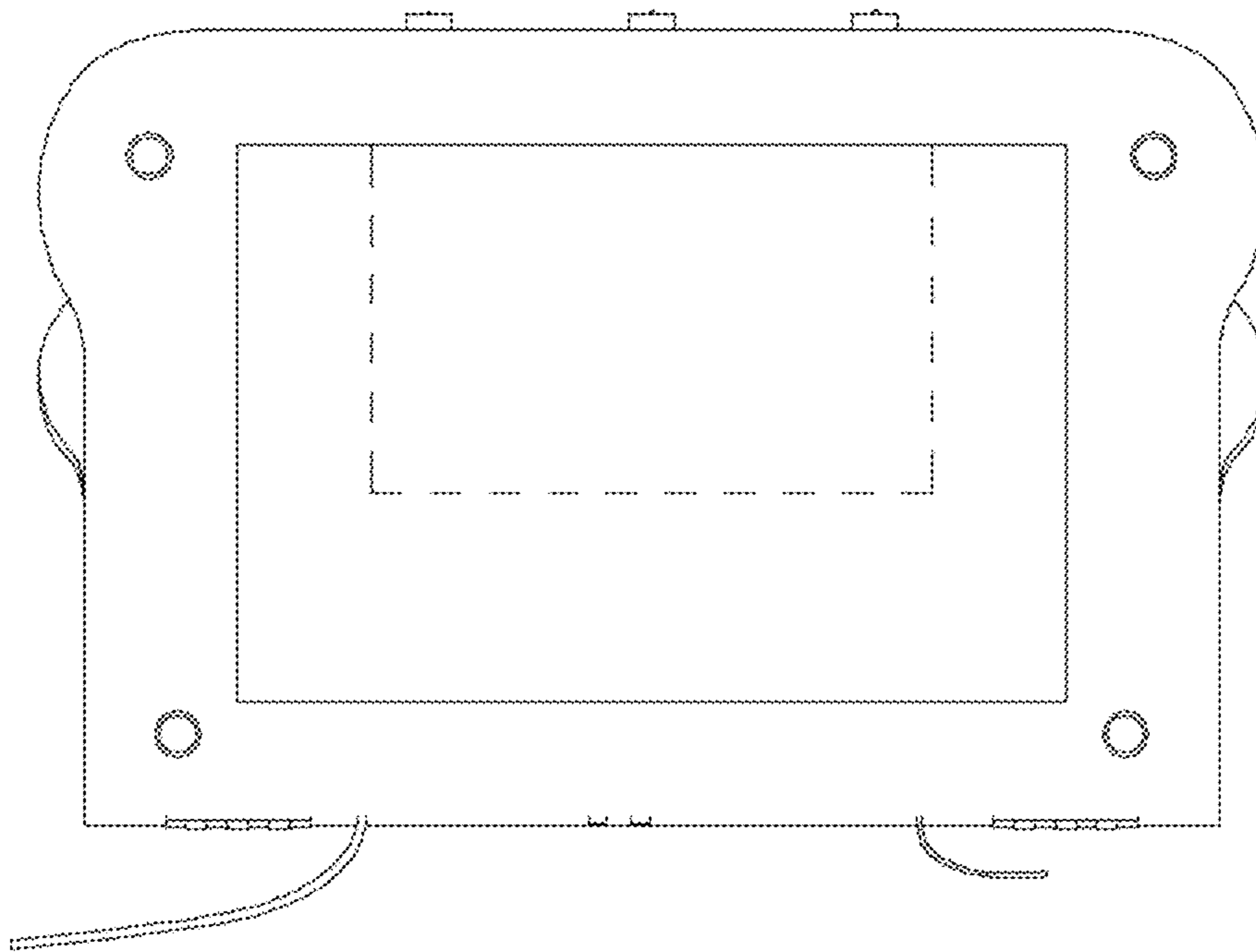


FIG. 6

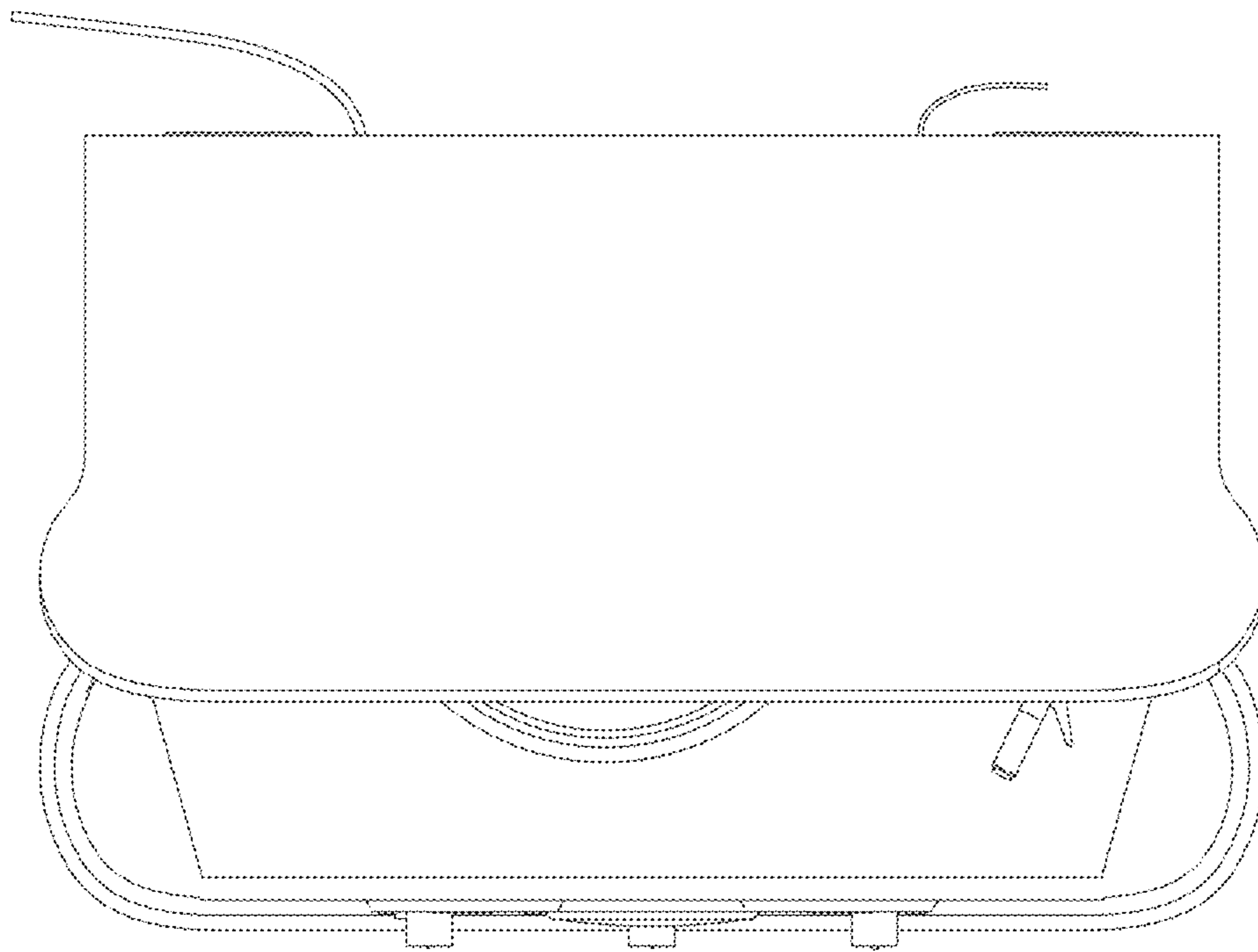


FIG. 7