



US00D863250S

(12) **United States Design Patent**  
**Liu et al.**

(10) **Patent No.:** **US D863,250 S**  
(45) **Date of Patent:** **\*\* Oct. 15, 2019**

- (54) **POWER AMPLIFIER**
- (71) Applicant: **Honeywell International Inc.,**  
Morristown, NJ (US)
- (72) Inventors: **Xingxin Liu,** Shanghai (CN); **Yilong Huang,** Guangzhou (CN); **Chuan Cheng Han,** Guangzhou (CN); **JunTao Zhang,** Guangzhou (CN)
- (73) Assignee: **Honeywell International Inc.,** Morris Plains, NJ (US)
- (\*\*) Term: **15 Years**
- (21) Appl. No.: **29/599,164**
- (22) Filed: **Mar. 31, 2017**
- (51) **LOC (12) Cl.** ..... **14-03**
- (52) **U.S. Cl.**  
USPC ..... **D14/188**
- (58) **Field of Classification Search**  
USPC ..... D14/496, 137, 155, 169, 171, 172, 188,  
D14/204, 210, 219, 301, 308, 313, 321,  
D14/322, 327  
CPC . H04R 1/02; H04R 1/023; H04R 9/06; H04R  
5/00; H03F 3/20; H03F 3/26; H03F 3/30;  
H03F 3/34; H03F 3/42; H03F 3/45; H03F  
3/46; H04Q 1/028; H05K 7/18; H05K  
7/1427; H05K 7/1485; H05K 7/1488;  
H05K 5/00; G10K 9/22; G06F 1/181;  
G06F 1/16  
See application file for complete search history.

|            |           |                    |         |
|------------|-----------|--------------------|---------|
| D484,867 S | 1/2004    | Little, Jr.        |         |
| D574,799 S | 8/2008    | Cronmiller et al.  |         |
| D714,253 S | 9/2014    | Aglassinger et al. |         |
| D718,748 S | 12/2014   | Pan                |         |
| D724,558 S | 3/2015    | Bast               |         |
| D745,867 S | * 12/2015 | Hochman            | D14/313 |
| D766,872 S | * 9/2016  | Jeon               | D14/214 |
| D767,635 S | 9/2016    | Aglassinger et al. |         |
| D785,616 S | * 5/2017  | Zimmermann         | D14/313 |
| D795,244 S | * 8/2017  | Zimmermann         | D14/313 |
| D818,452 S | * 5/2018  | Liu                | D14/188 |
| D839,355 S | * 1/2019  | Christie           | D21/332 |

**OTHER PUBLICATIONS**

CMX Audio, Public Address & Voice Alarm & IP Network Audio, 12 Zone Voice Alarm System with Paging & BGM & Digital PA System, Advantages of EVAC-500 Voice Alarm Controller, Copyright 2013-2016, <http://www.cmxaudio.com/News/detail/id/133>.

(Continued)

*Primary Examiner* — R. Johnson

(74) *Attorney, Agent, or Firm* — Brooks, Cameron & Huebsch, PLLC

(57) **CLAIM**

The ornamental design for a power amplifier, as shown and described.

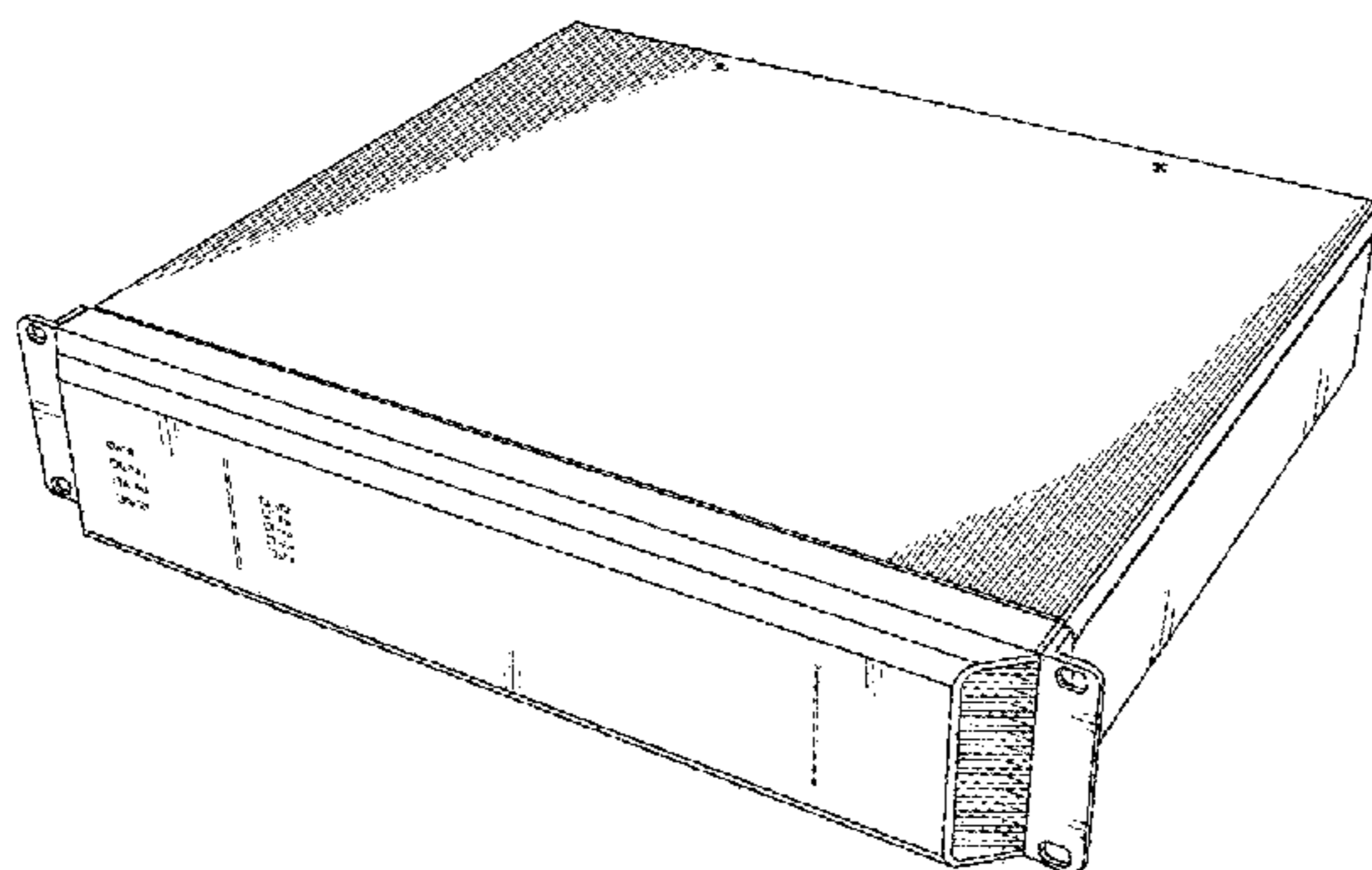
**DESCRIPTION**

FIG. 1 is a perspective view of the power amplifier. FIG. 2 is a front elevation view thereof. FIG. 3 is a rear elevation view thereof. FIG. 4 is a top plan view thereof; and, FIG. 5 is a right side elevation view thereof, the opposing left side of the power amplifier being a mirror image thereof. The broken lines in the drawings depict subject matter that is hereby disclaimed and forms no part of the claimed design. The undisclosed bottom view of the power amplifier forms no part of the claimed design.

**1 Claim, 3 Drawing Sheets**

(56) **References Cited**  
U.S. PATENT DOCUMENTS

|            |   |        |           |       |         |
|------------|---|--------|-----------|-------|---------|
| D231,464 S | * | 4/1974 | Dalke     | ..... | D14/313 |
| D327,689 S | * | 7/1992 | Johnson   | ..... | D14/217 |
| D371,122 S | * | 6/1996 | Takahashi | ..... | D14/365 |
| D404,396 S | * | 1/1999 | Mackie    | ..... | D13/110 |



(56)

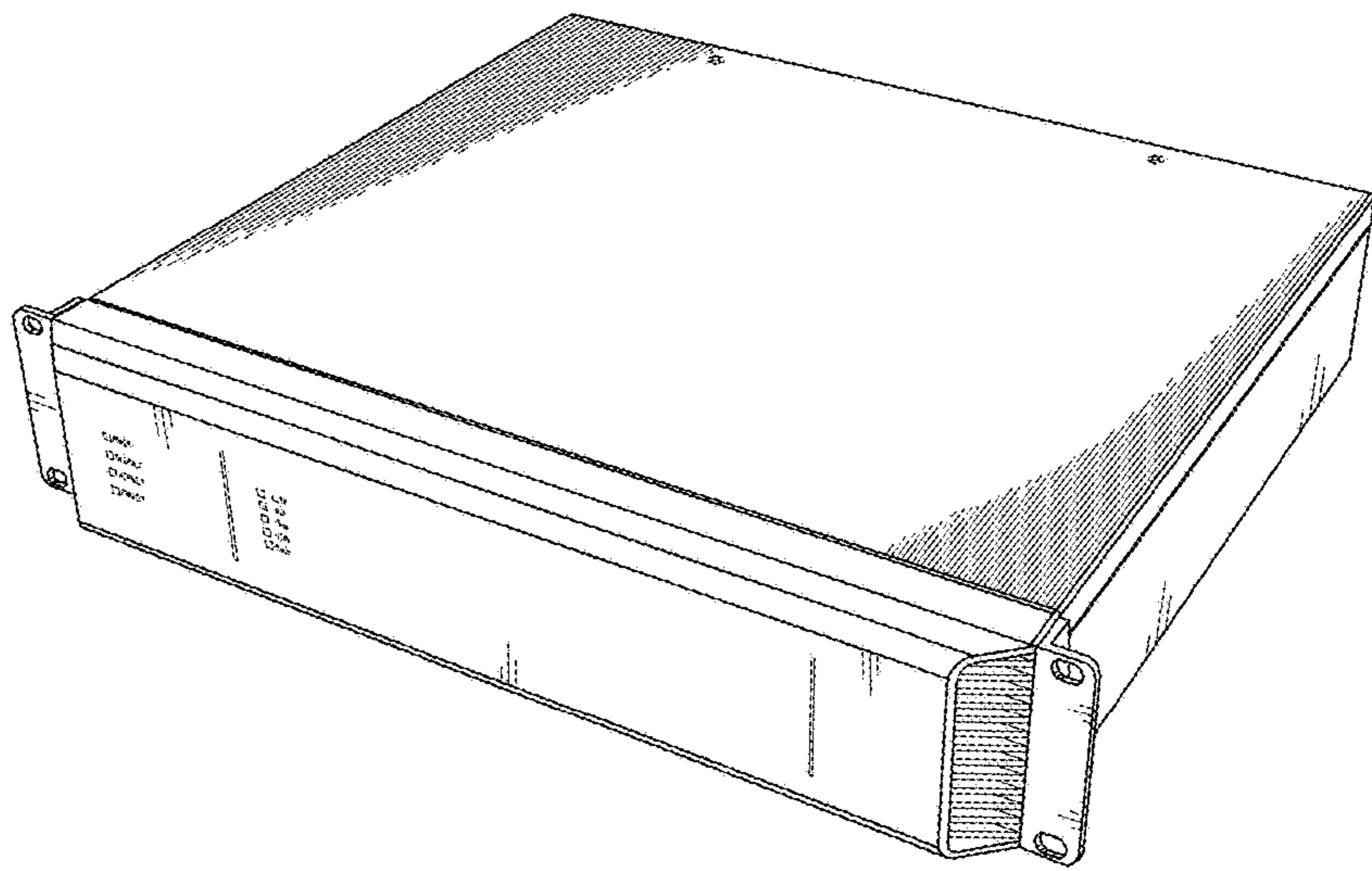
**References Cited**

OTHER PUBLICATIONS

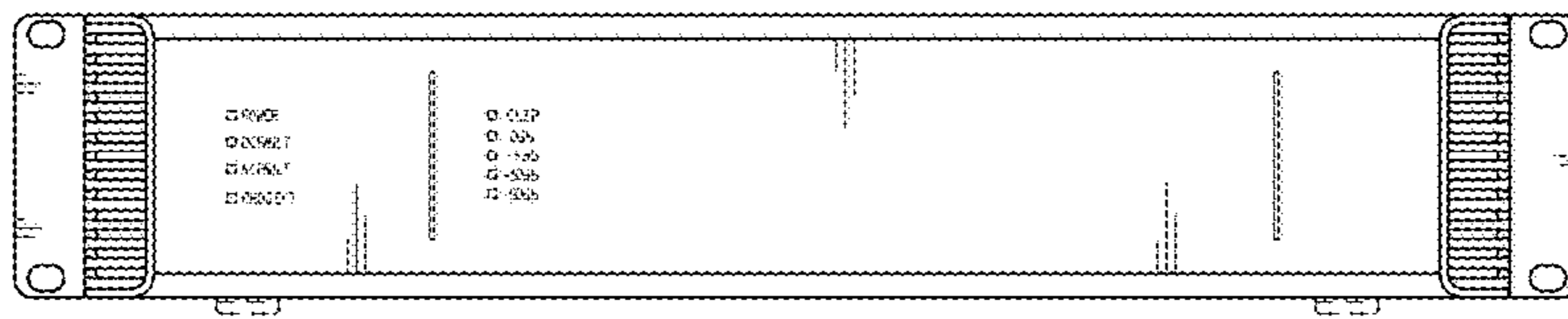
TOA Electronics, Inc., Remote Microphone Station: N-8610RM, <http://www.toaelectronics.com/products/intercom-systems/ip-stations/n-8610rm>, Apr. 3, 2015.

Protec Fire Detection plc, MPS10—MPS50 Modular Paging and Emergency Microphone, <https://www.protec.co.uk/product-page/voice-evacuation-public-address/control-and-amplification/product/mps10-mps50-modular-paging-and-emergency-microphone/>, Copyright 2017.

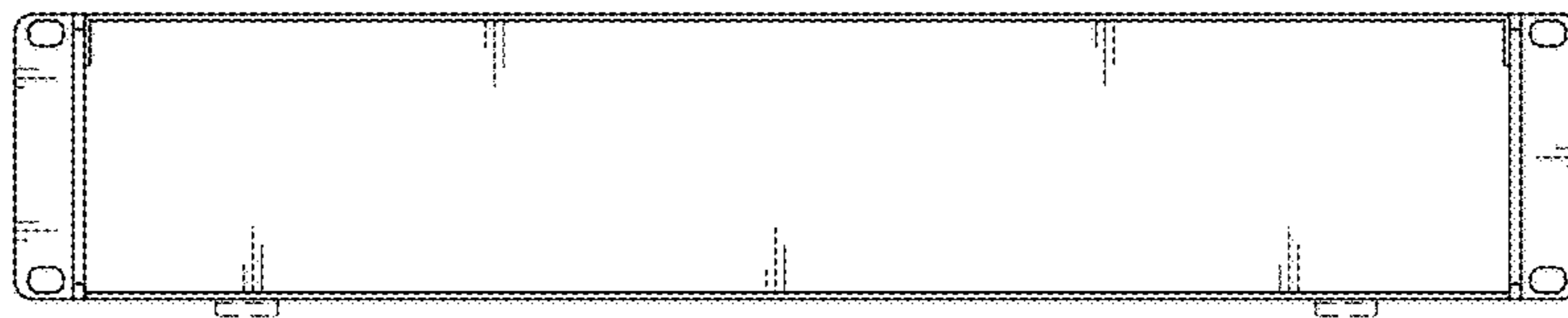
\* cited by examiner



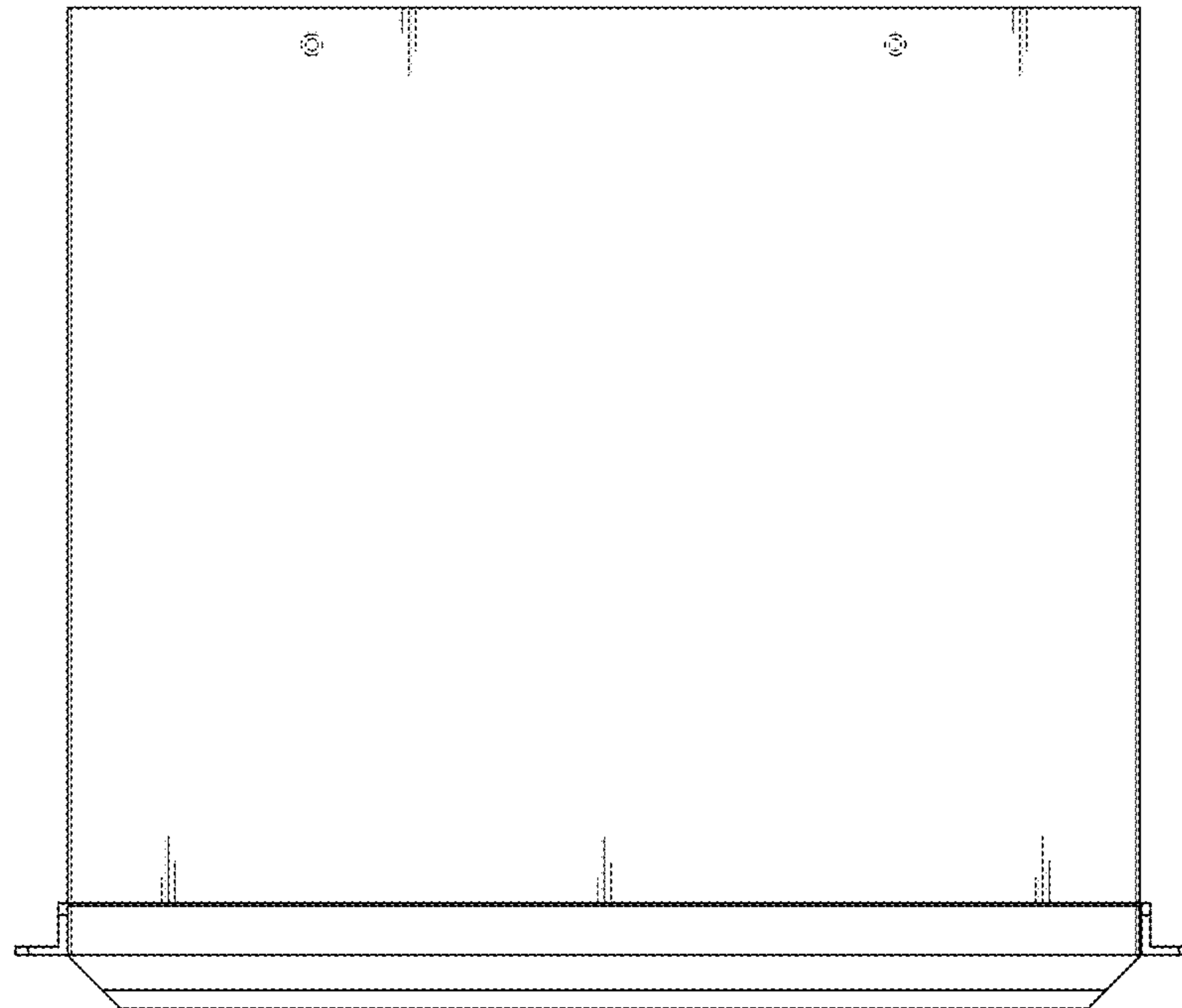
*FIG. 1*



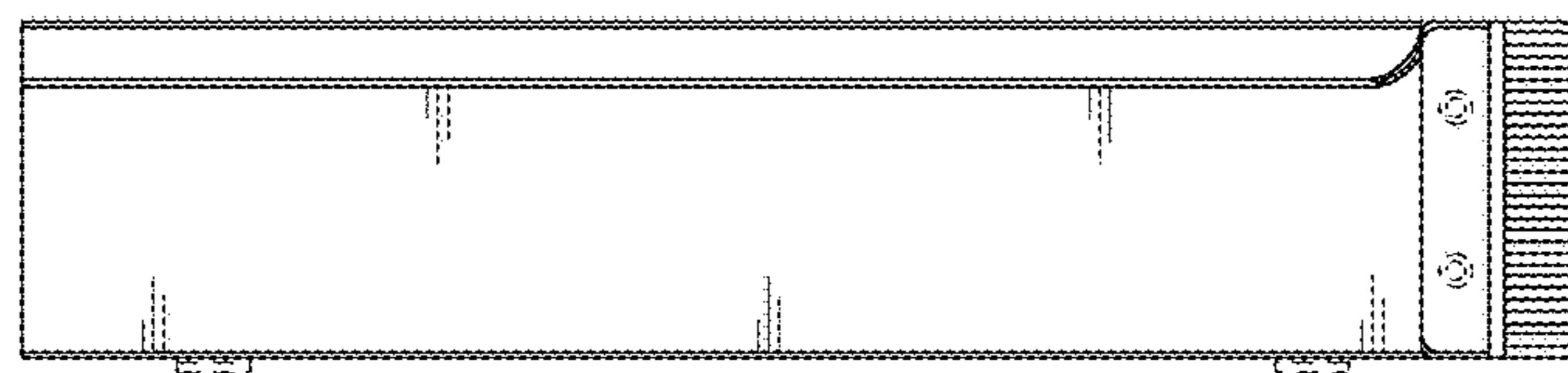
*FIG. 2*



*FIG. 3*



*FIG. 4*



*FIG. 5*