



US00D863249S

(12) **United States Design Patent** (10) **Patent No.:** **US D863,249 S**  
**Xie** (45) **Date of Patent:** **\*\* Oct. 15, 2019**

(54) **BABY MONITOR (TRANSMITTING TERMINAL)**

(71) Applicant: **SHENZHEN LIANHUA ELECTRONICS CO., LTD**, Shenzhen (CN)

(72) Inventor: **Qingqin Xie**, Suixi County (CN)

(\*\*) Term: **15 Years**

(21) Appl. No.: **29/659,169**

(22) Filed: **Aug. 7, 2018**

(51) **LOC (12) Cl.** ..... **14-03**

(52) **U.S. Cl.**  
USPC ..... **D14/159**

(58) **Field of Classification Search**  
USPC ..... D14/167, 154, 168, 188, 496, 156, 160, D14/161, 162, 163, 164, 165, 158, 253, D14/192, 159, 155, 138 AB, 137, 104.1; 455/351, 350, 353; D10/104, 106, 65, D10/78; 340/573.4, 573.1  
CPC . G06F 3/16; G08B 3/00; H04M 11/00; H04N 7/14; H04N 7/26  
See application file for complete search history.

(56) **References Cited**

U.S. PATENT DOCUMENTS

D539,251 S \* 3/2007 Heath ..... D14/137  
D540,291 S \* 4/2007 Heath ..... D14/137

D637,173 S \* 5/2011 Elkerbout ..... D14/159  
D666,575 S \* 9/2012 Marsh ..... D14/159  
D681,601 S \* 5/2013 Gebski ..... D14/159  
D715,249 S \* 10/2014 Zhou ..... D14/158  
D716,753 S \* 11/2014 Deng ..... D14/159  
D819,596 S \* 6/2018 Sun ..... D14/211  
D840,368 S \* 2/2019 Deng ..... D14/159  
D840,965 S \* 2/2019 Ke ..... D14/159  
D850,403 S \* 6/2019 Liu ..... D14/159

\* cited by examiner

*Primary Examiner* — Austin Murphy

(74) *Attorney, Agent, or Firm* — Jie Yang; HYIP

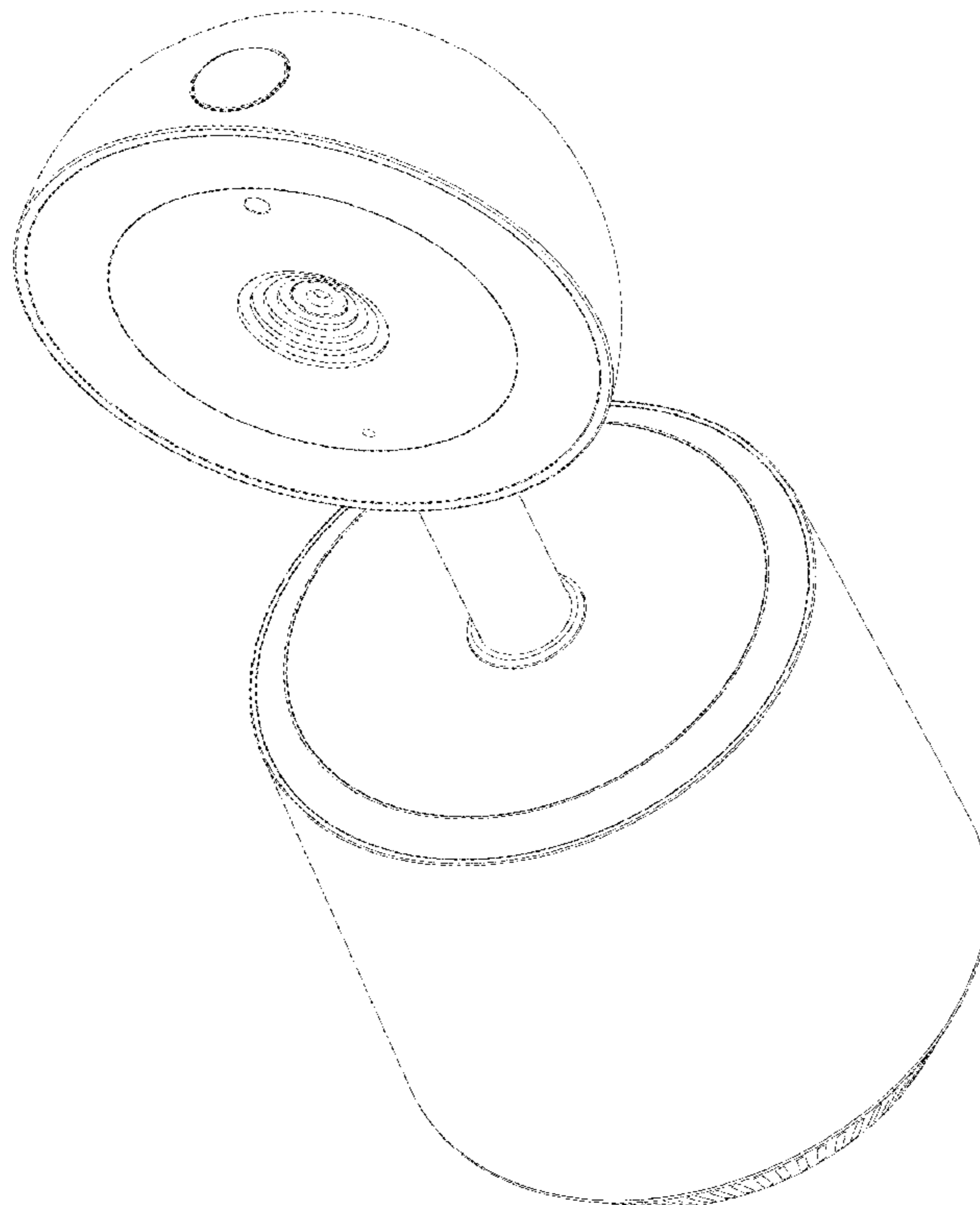
(57) **CLAIM**

The ornamental design for a baby monitor (transmitting terminal), as shown and described.

**DESCRIPTION**

FIG. 1 is a Perspective view of a baby monitor (transmitting terminal) showing my new design;  
FIG. 2 is a Front elevational view thereof;  
FIG. 3 is a Rear elevational view thereof;  
FIG. 4 is a Right side view thereof;  
FIG. 5 is a Left side view thereof;  
FIG. 6 is a Top plan view thereof; and,  
FIG. 7 is a Bottom plan view thereof.

**1 Claim, 7 Drawing Sheets**



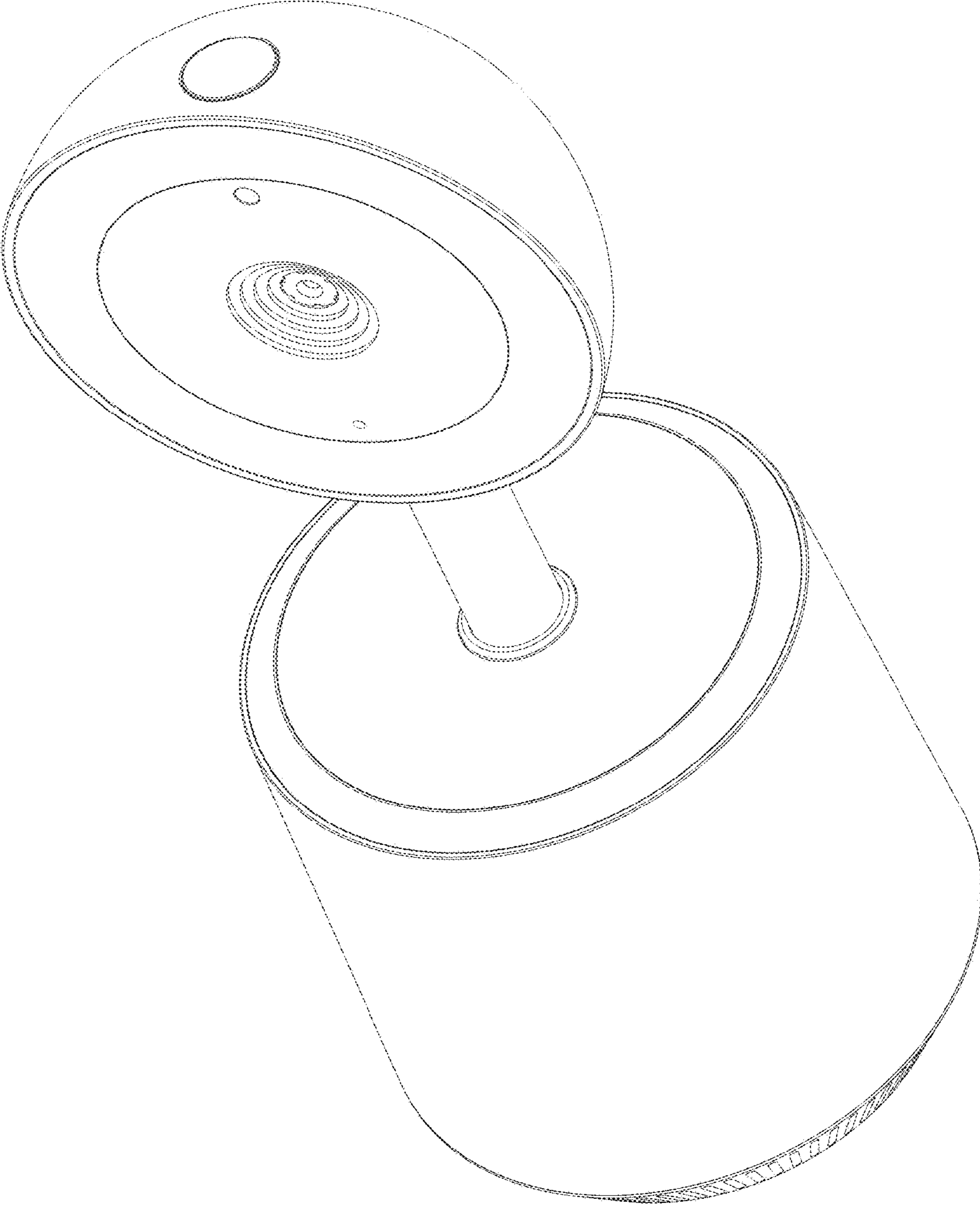


Fig. 1

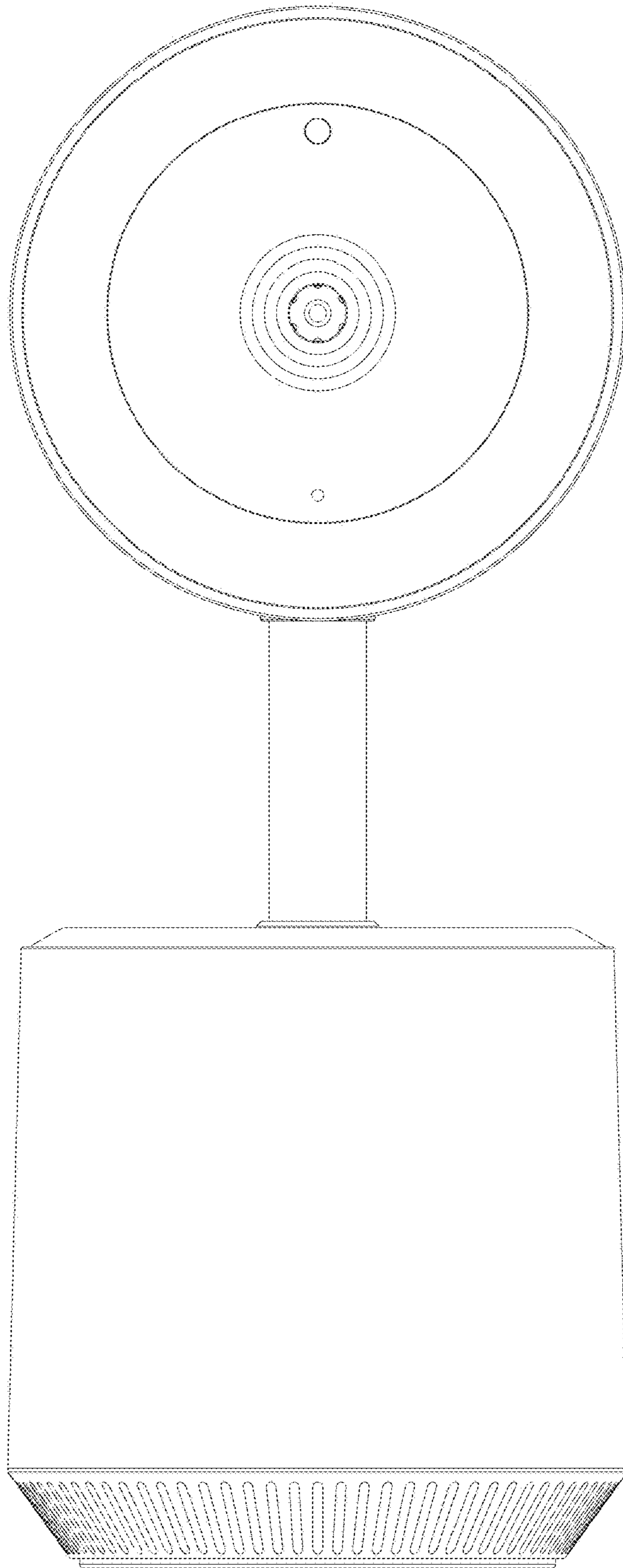


Fig. 2

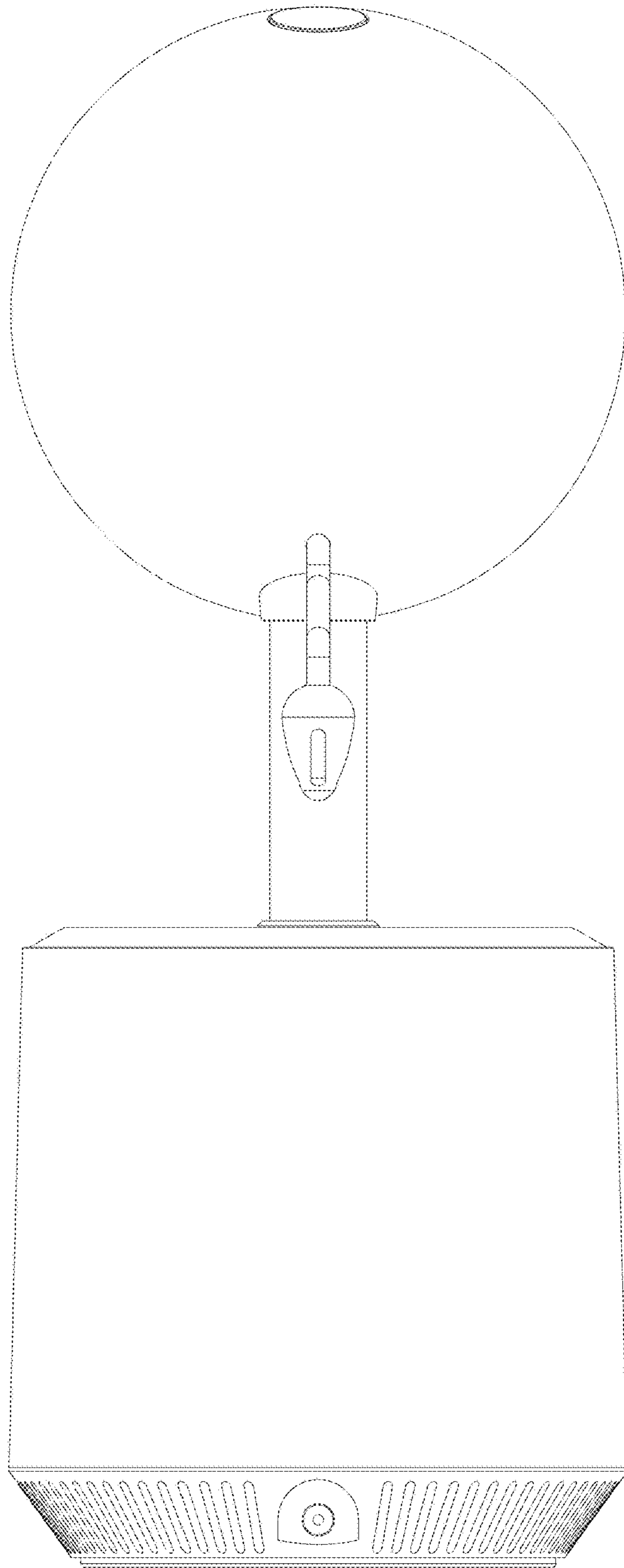


Fig. 3

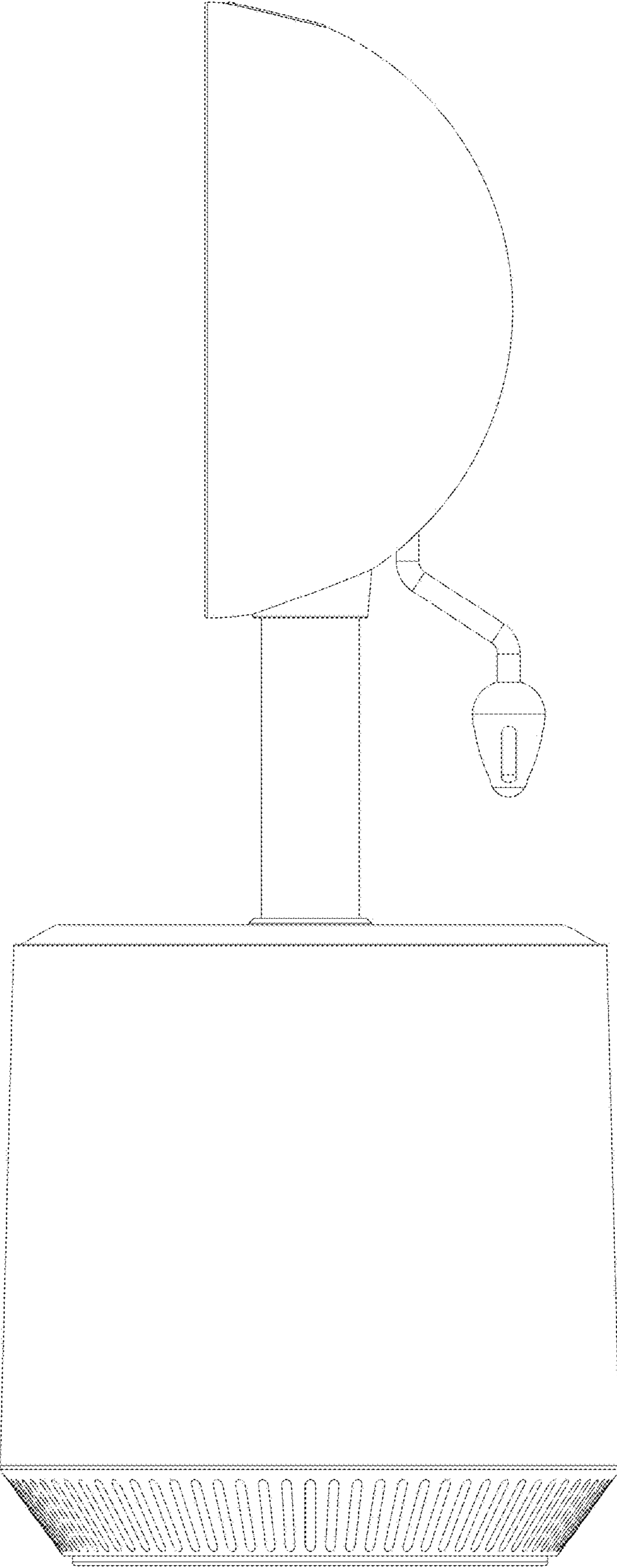


Fig. 4

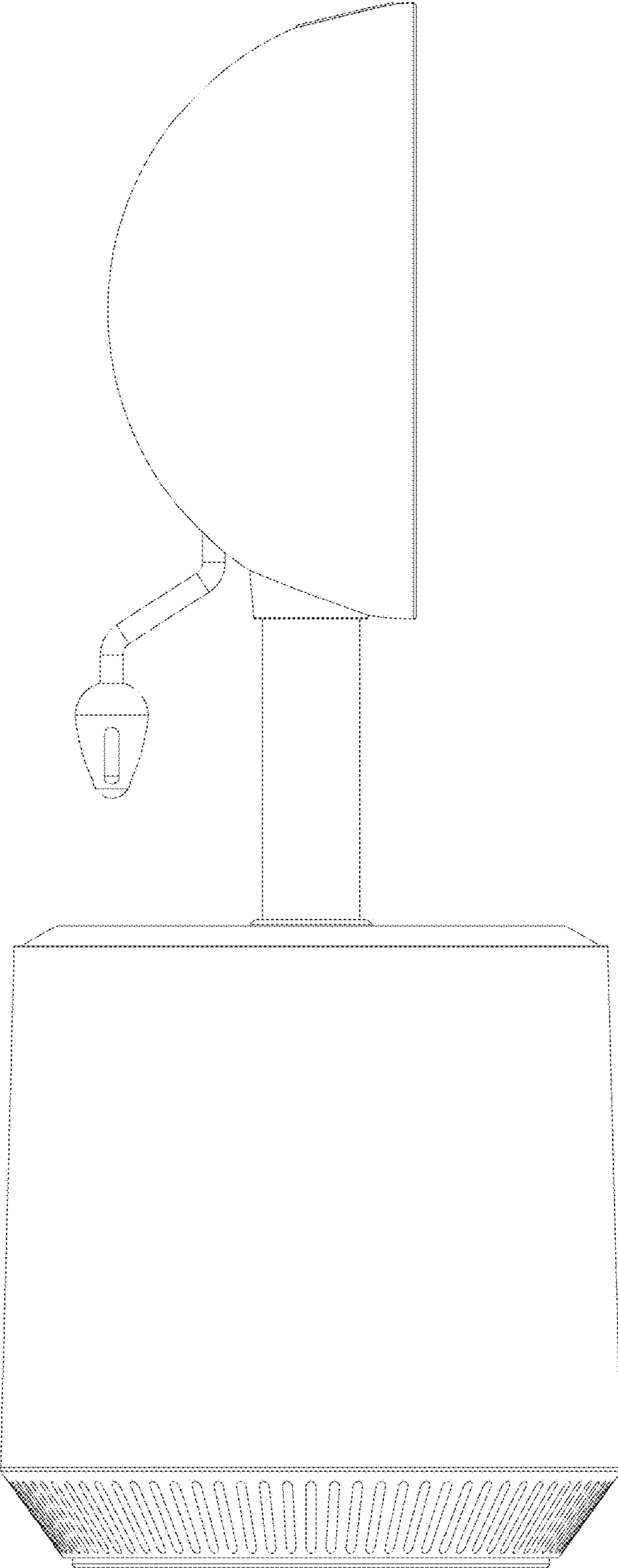


Fig. 5

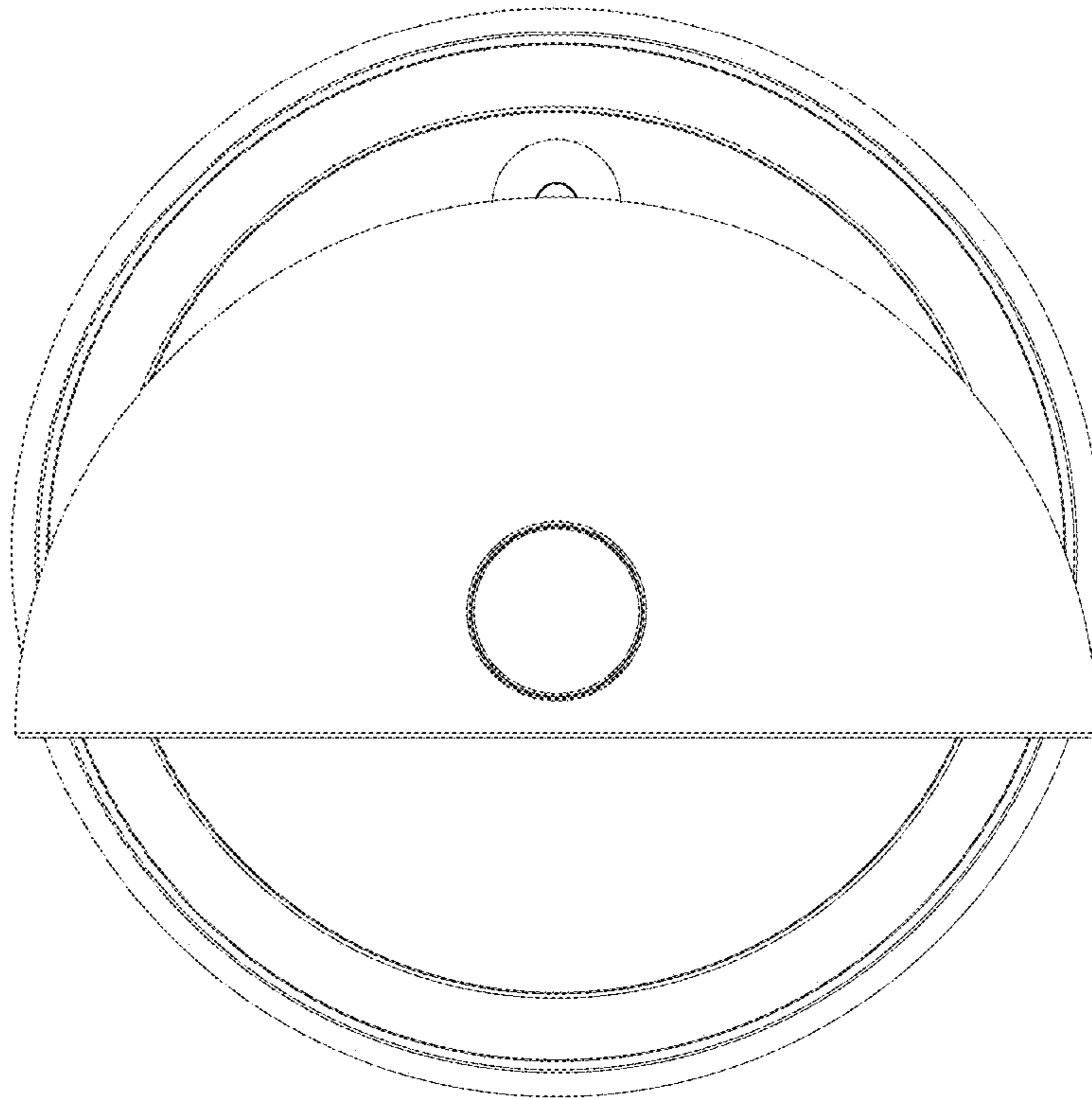


Fig. 6

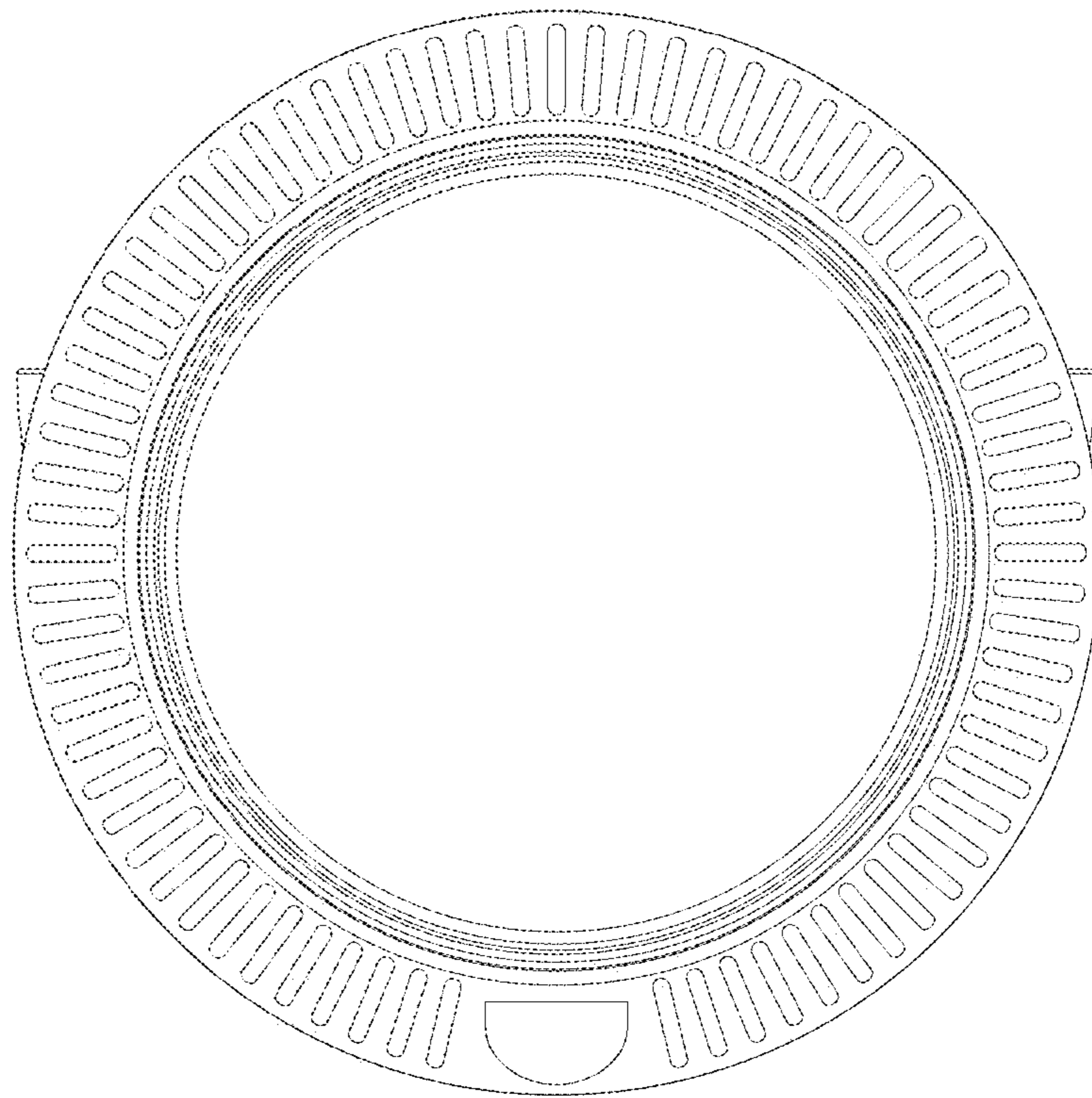


Fig. 7