



US00D863248S

(12) **United States Design Patent** (10) **Patent No.:** **US D863,248 S**
Liu et al. (45) **Date of Patent:** **** Oct. 15, 2019**

(54) **BLUETOOTH ADAPTER**

(56) **References Cited**

(71) Applicant: **SHENZHEN VOXTECH CO., LTD.**,
Shenzhen, Guangdong (CN)
(72) Inventors: **Yinchao Liu**, Shenzhen (CN); **Jun Xu**,
Shenzhen (CN); **Yi Tang**, Shenzhen
(CN); **Lei Zhong**, Shenzhen (CN); **Hao
Chen**, Shenzhen (CN)
(73) Assignee: **SHENZHEN VOXTECH CO., LTD.**,
Shenzhen (CN)

U.S. PATENT DOCUMENTS

D534,150 S 12/2006 Griffin
D573,577 S 7/2008 Huang
D627,069 S 11/2010 Mehlsen et al.
D646,259 S 10/2011 Daniel
D723,504 S 3/2015 Reimer et al.
D726,681 S 4/2015 Liu
D738,347 S 9/2015 Reimer et al.
D770,455 S 11/2016 Lee et al.
D781,811 S 3/2017 Chanay et al.
D789,361 S * 6/2017 Ali D14/358
(Continued)

(**) Term: **15 Years**

FOREIGN PATENT DOCUMENTS

(21) Appl. No.: **29/676,904**

CN 3397803 10/2004
CN 301077617 12/2009

(22) Filed: **Jan. 15, 2019**

(Continued)

Related U.S. Application Data

(62) Division of application No. 29/609,034, filed on Jun.
28, 2017.

Primary Examiner — Austin Murphy
(74) *Attorney, Agent, or Firm* — Metis IP LLC

(57) **CLAIM**

The ornamental design for a bluetooth adapter, as shown and
described.

Foreign Application Priority Data

(30) Jan. 5, 2017 (CN) 2017 3 0004042

DESCRIPTION

(51) **LOC (12) Cl.** **14-03**

(52) **U.S. Cl.**
USPC **D14/155**

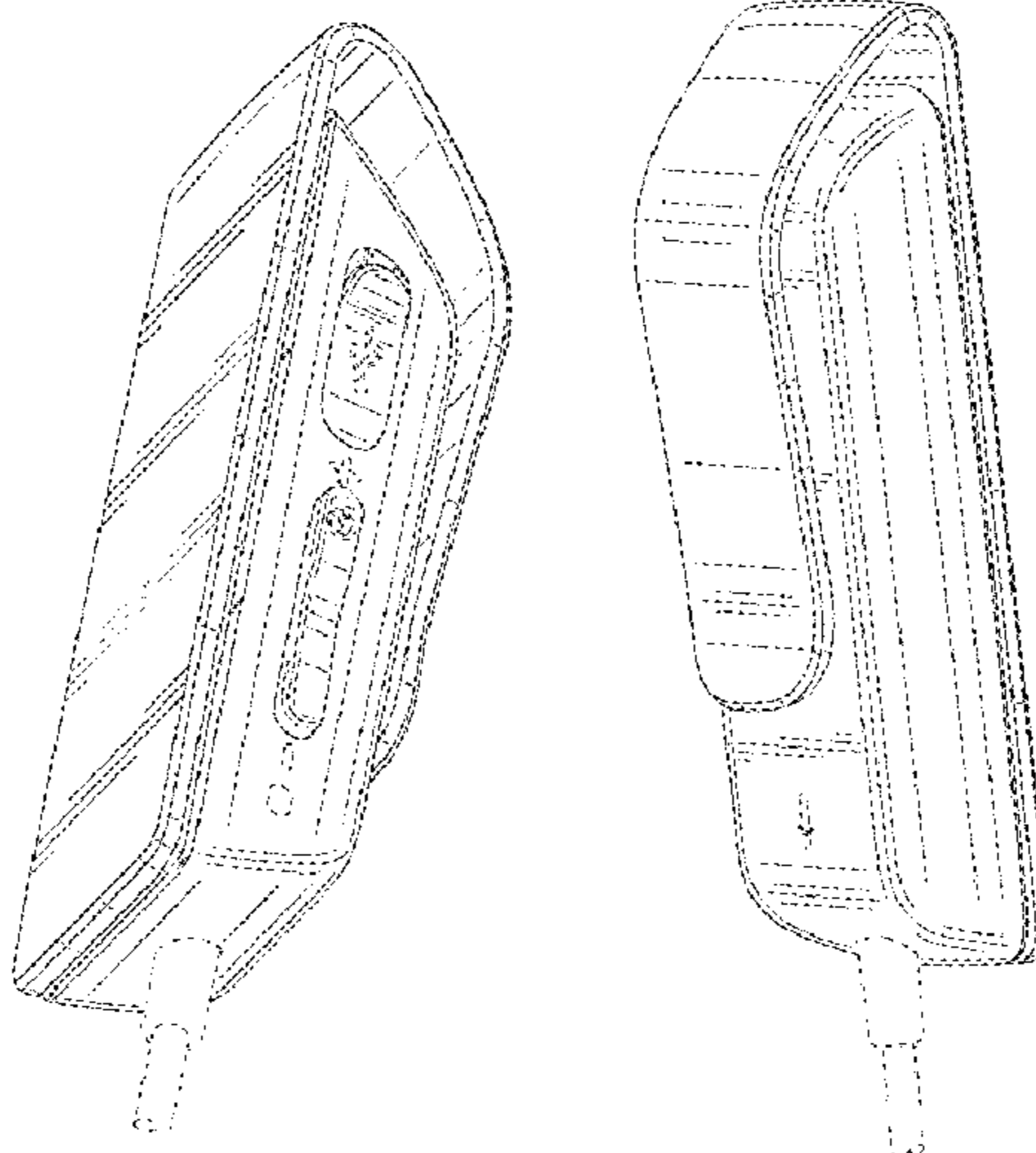
(58) **Field of Classification Search**
USPC D14/356, 432-434, 453, 454, 511, 203.8,
D14/209.1, 238.1, 240, 125; 439/638,
439/928, 105, 502; 710/303, 304;
361/679.41, 679.55, 679.56; D13/110,
D13/133, 146

CPC ... H04L 12/2832; H04L 12/2838; G06F 3/00;
G06F 5/00; G06F 13/14

FIG. 1 is a perspective view of a bluetooth adapter with
texture showing our new design;
FIG. 2 is another perspective view of a bluetooth adapter
thereof;
FIG. 3 is a front view of the bluetooth adapter thereof;
FIG. 4 is a rear view of the bluetooth adapter thereof;
FIG. 5 is a right view of the bluetooth adapter thereof;
FIG. 6 is a left view of the bluetooth adapter thereof;
FIG. 7 is a top view of the bluetooth adapter thereof;
FIG. 8 is a bottom view of the bluetooth adapter thereof;
and,
FIG. 9 is an exemplary schematic diagram of using the
bluetooth adapter with a headphone according to the new
design.

See application file for complete search history.

1 Claim, 9 Drawing Sheets



(56)

References Cited

U.S. PATENT DOCUMENTS

D802,650	S	*	11/2017	Hoshi	D16/237
D808,356	S		1/2018	Miller et al.	
D810,733	S	*	2/2018	Kwak	D14/344
D815,625	S	*	4/2018	Wartmann	D14/240
D816,057	S		4/2018	Jue	
D819,619	S		6/2018	Li	
D820,695	S	*	6/2018	Jou	D10/52
D823,274	S		7/2018	Hu	
D823,277	S	*	7/2018	Hagenauer	D14/159
D829,768	S	*	10/2018	Lippitt	D14/496
D831,606	S		10/2018	Sun	
D832,782	S	*	11/2018	Leabman	D13/108
D834,556	S	*	11/2018	Shanes	D14/159
D837,208	S	*	1/2019	Ali	D14/358
2008/0153593	A1	*	6/2008	Ikeda	A63F 13/24 463/37
2012/0099745	A1	*	4/2012	Chen	H04R 1/028 381/182
2015/0171386	A1	*	6/2015	Yang	H01M 2/1022 429/163

FOREIGN PATENT DOCUMENTS

CN	302716375	S	1/2014
CN	302937438	S	9/2014
CN	303377614	S	9/2015
CN	303591135	S	2/2016
CN	303655285	S	4/2016
CN	303906635	S	11/2016
JP	1265047	S	3/2006
JP	1363840	S	6/2009

* cited by examiner

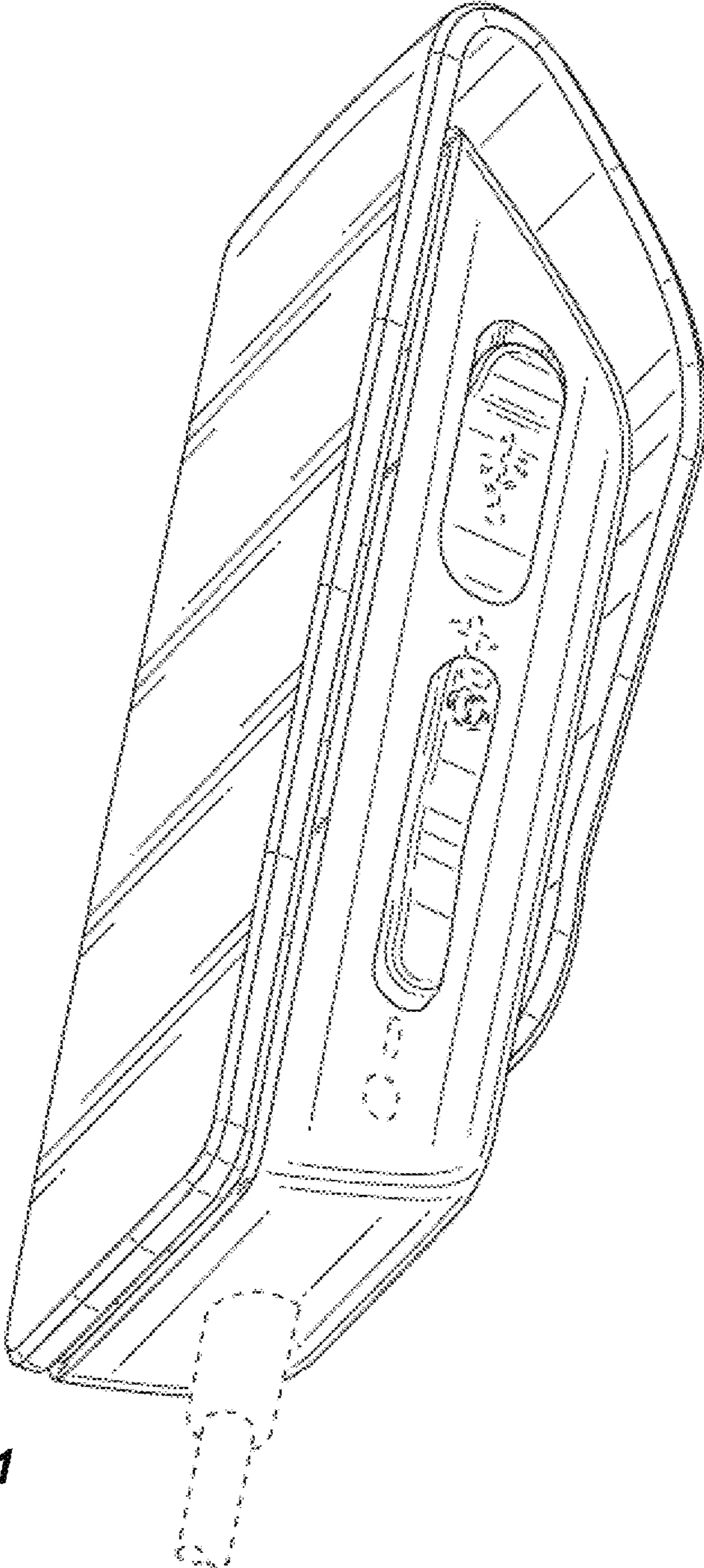


FIG. 1

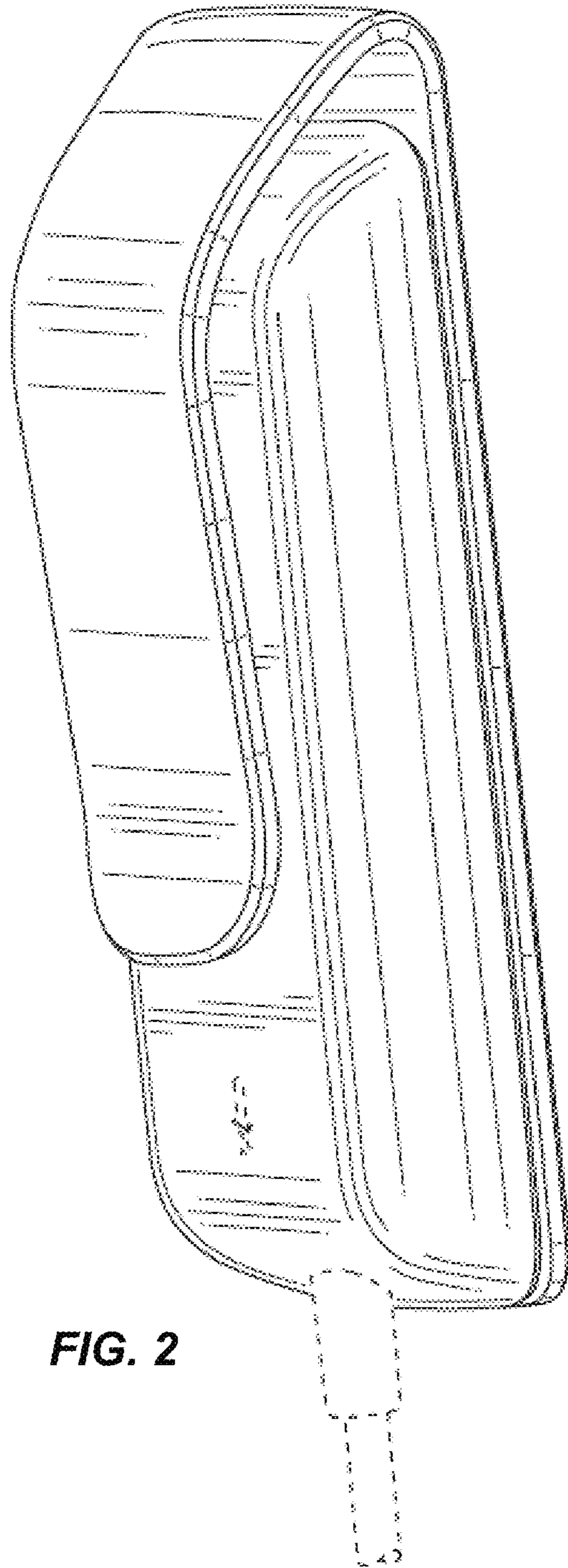


FIG. 2

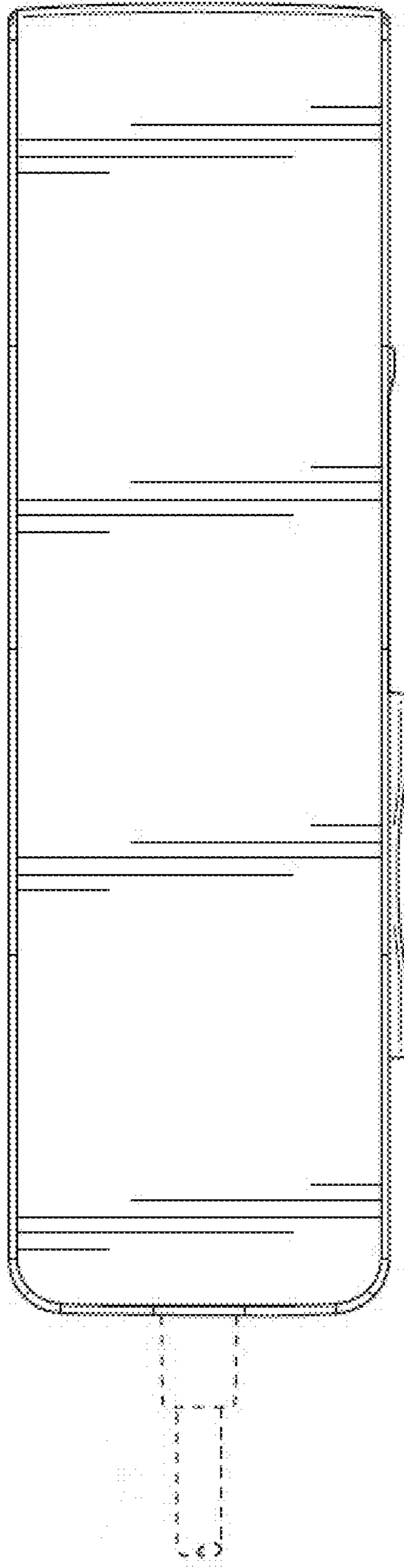


FIG. 3

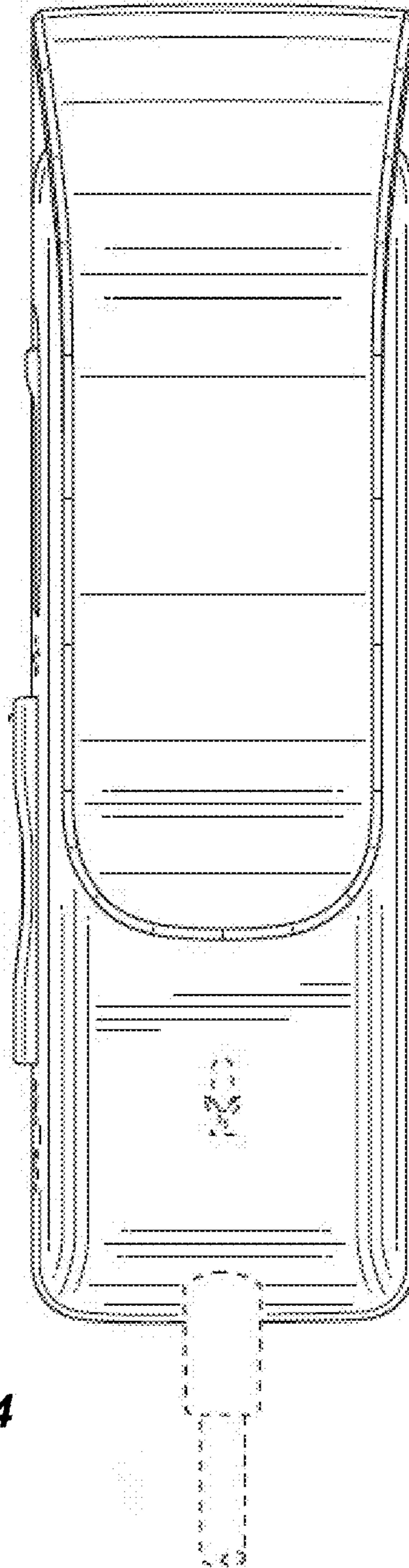


FIG. 4

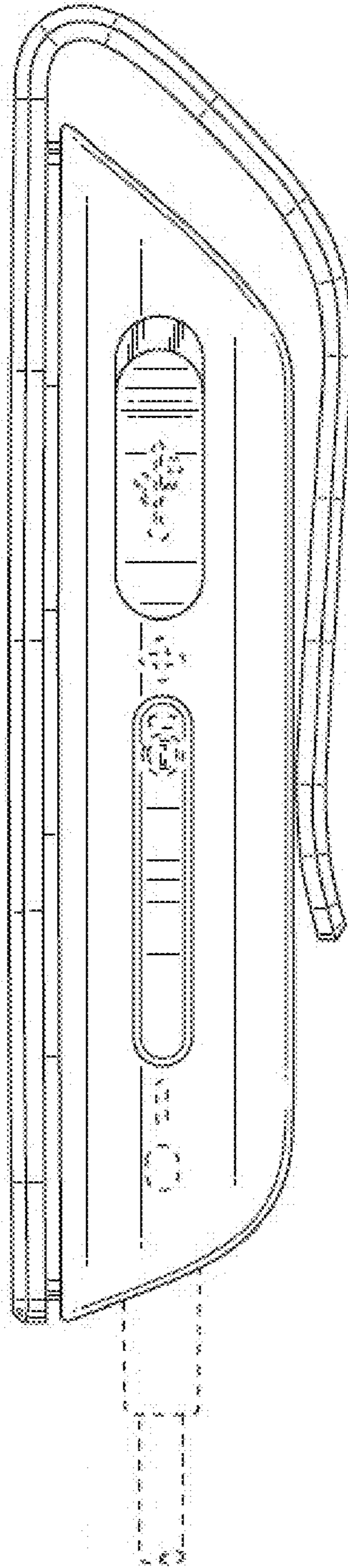


FIG. 5

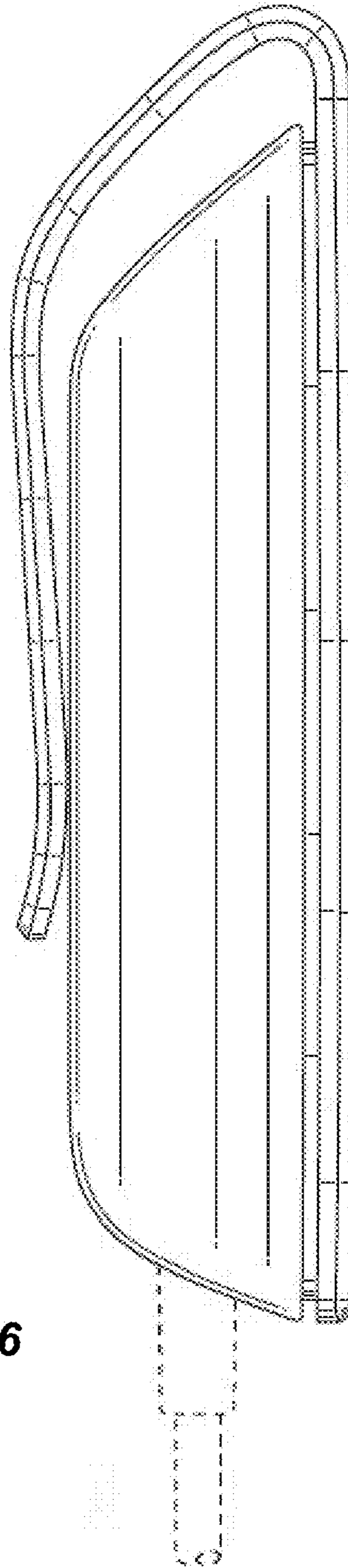


FIG. 6

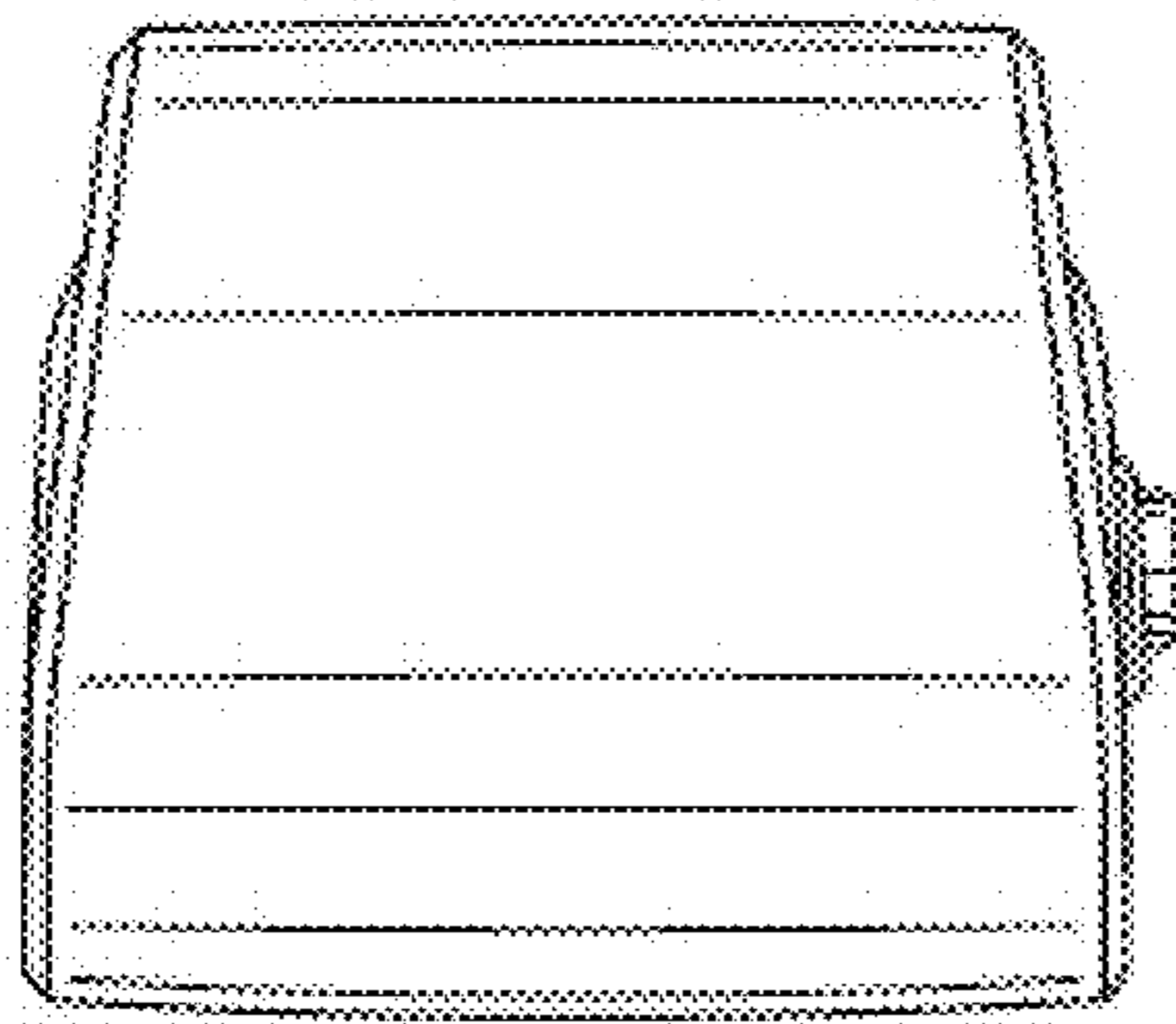


FIG. 7

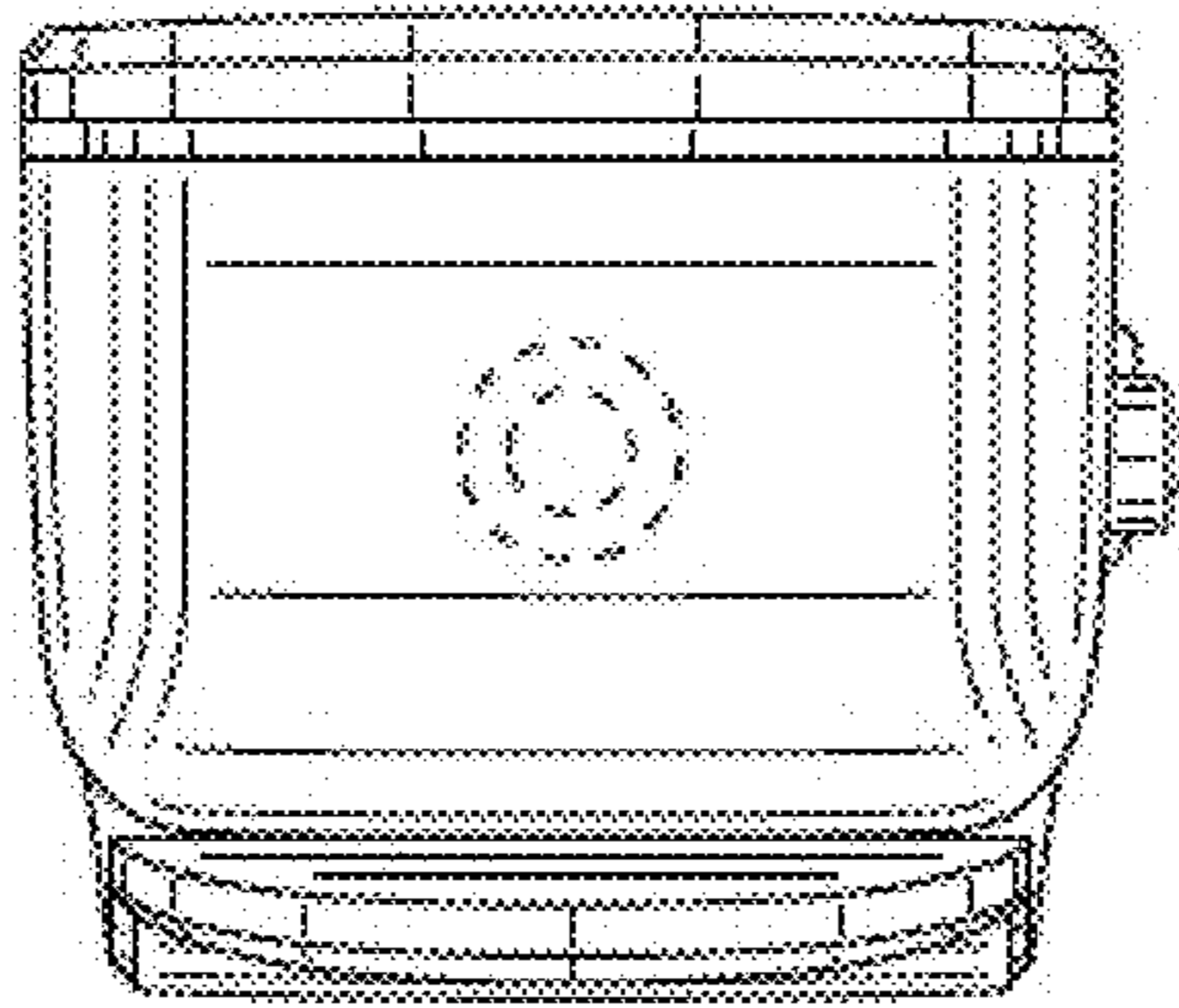


FIG. 8

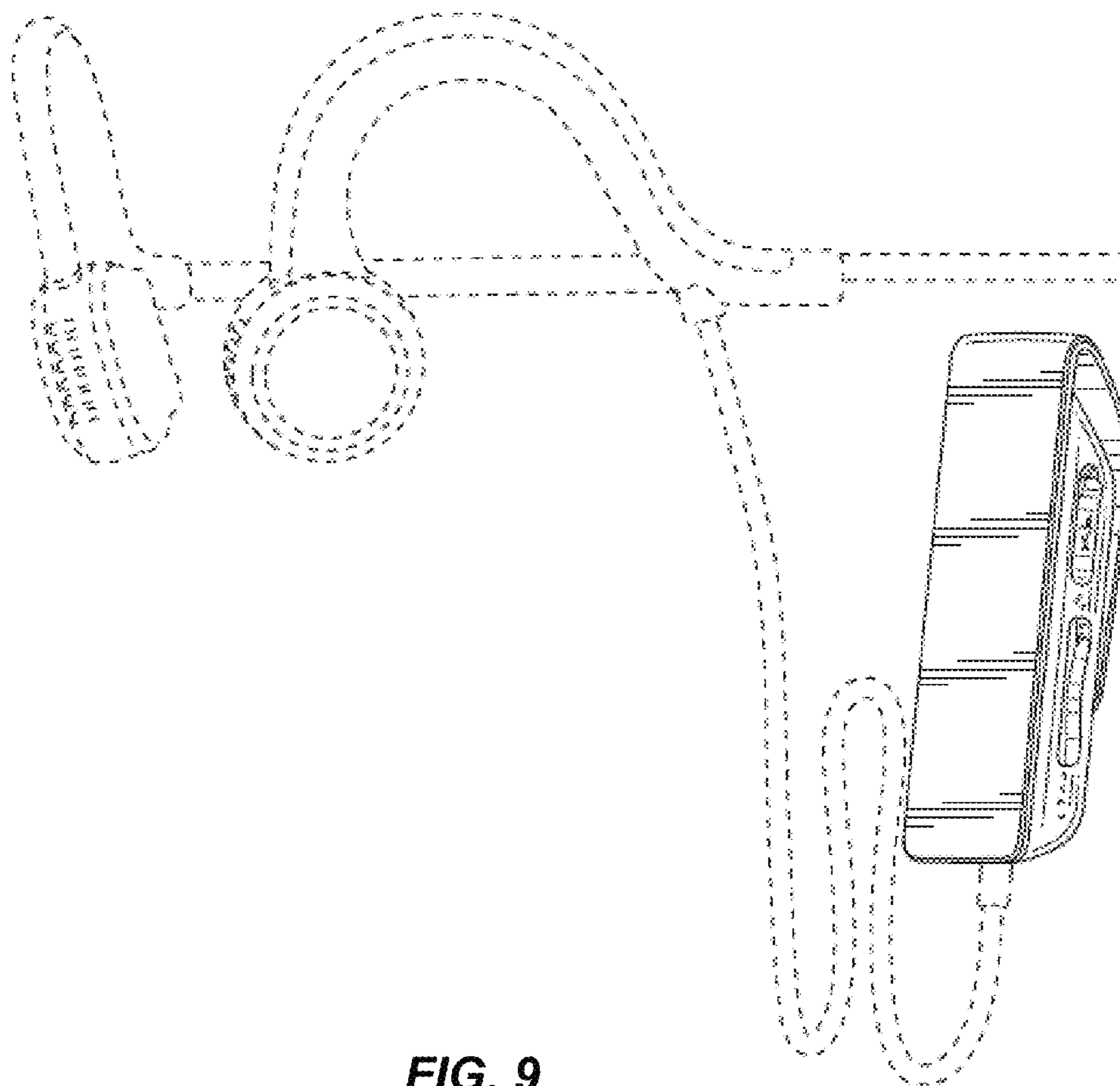


FIG. 9