



US00D863242S

(12) **United States Design Patent**  
**Gordon et al.**

(10) **Patent No.:** **US D863,242 S**

(45) **Date of Patent:** **\*\* Oct. 15, 2019**

(54) **RADIO TELEPHONE**

(71) Applicant: **QINETIQ LIMITED**, Farnborough,  
Hampshire (GB)

(72) Inventors: **Andrew Gordon**, Bristol (GB); **Alex  
Waldron**, Bristol (GB); **Michael  
Unwin**, Bristol (GB)

(73) Assignee: **QINETIQ LIMITED** (GB)

(\*\*) Term: **15 Years**

(21) Appl. No.: **29/654,601**

(22) Filed: **Jun. 26, 2018**

(30) **Foreign Application Priority Data**

Mar. 28, 2018 (EM) ..... 005135472-0001

Mar. 28, 2018 (EM) ..... 005135472-0002

(51) **LOC (12) Cl.** ..... **14-03**

(52) **U.S. Cl.**

USPC ..... **D14/137**

(58) **Field of Classification Search**

USPC ..... D14/137, 248, 341, 371, 374, 138 R,  
D14/138 AA, 138 AB, 138 AC, 138 AD,  
D14/138 C, 138 G, 247

CPC .. H04B 1/3833; H04B 1/3827; H04B 1/3855;  
H04B 2001/3861; H04M 1/0202; H04M  
1/03; H04M 1/035

See application file for complete search history.

(56) **References Cited**

**U.S. PATENT DOCUMENTS**

D377,351 S \* 1/1997 Toki ..... D14/138 R

D395,882 S \* 7/1998 Oross ..... D14/137

D583,349 S \* 12/2008 Lee ..... D14/138 AA  
D602,454 S \* 10/2009 Boucquey ..... D14/137  
D618,657 S \* 6/2010 Sakamoto ..... D14/147  
D662,482 S \* 6/2012 Kaner ..... D14/137  
D721,348 S \* 1/2015 Plaschke ..... D14/138 AA  
D796,467 S \* 9/2017 Oikawa ..... D14/137  
D816,639 S \* 5/2018 Abe ..... D14/226  
D819,590 S \* 6/2018 Nakagawa ..... D14/137  
2014/0010383 A1 \* 1/2014 MacKey ..... H04M 1/233  
381/71.1

\* cited by examiner

*Primary Examiner* — Bridget L Eland

(74) *Attorney, Agent, or Firm* — McDonnell Boehnen  
Hulbert & Berghoff LLP

(57) **CLAIM**

The ornamental design for a radio telephone, as shown and described.

**DESCRIPTION**

FIG. 1 is a front view of a radio telephone, showing our new design;

FIG. 2 is a left side view of the radio telephone of FIG. 1;

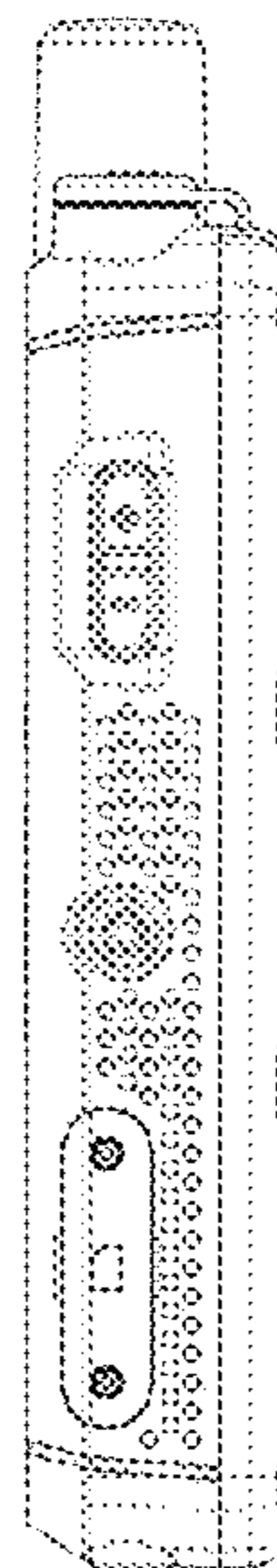
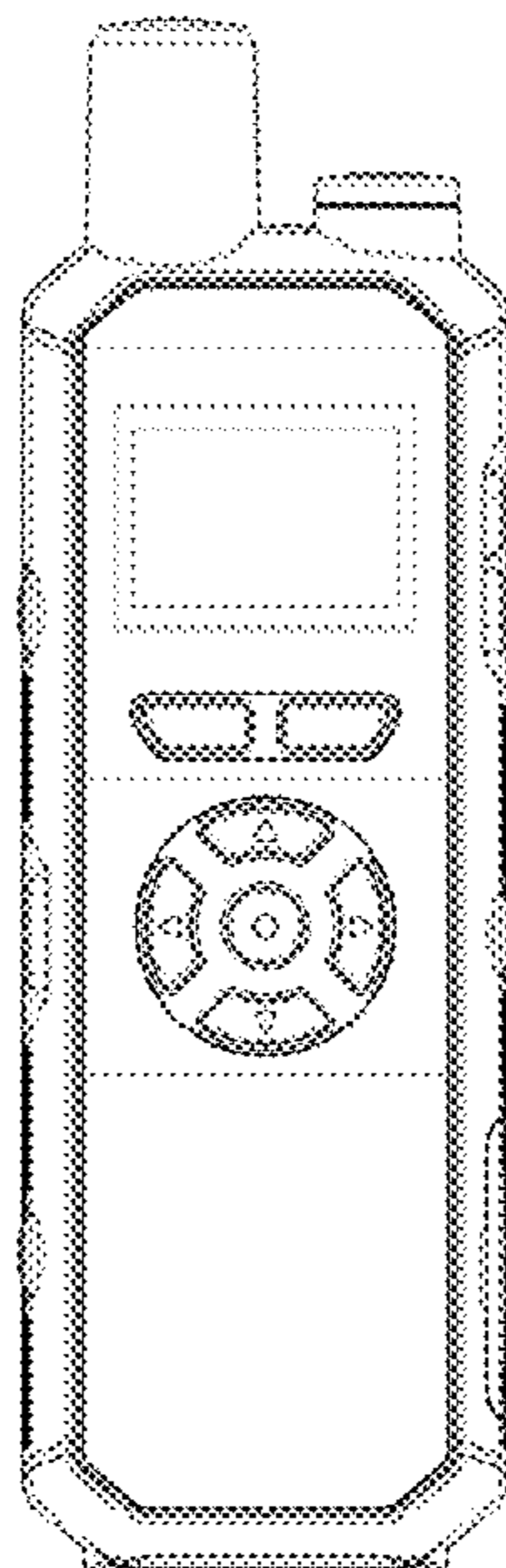
FIG. 3 is a right side view of the radio telephone of FIG. 1;

FIG. 4 is a rear side view of the radio telephone of FIG. 1;

FIG. 5 is a rear left perspective view of the radio telephone of FIG. 1; and,

FIG. 6 is a front right perspective view of the radio telephone of FIG. 1.

**1 Claim, 6 Drawing Sheets**



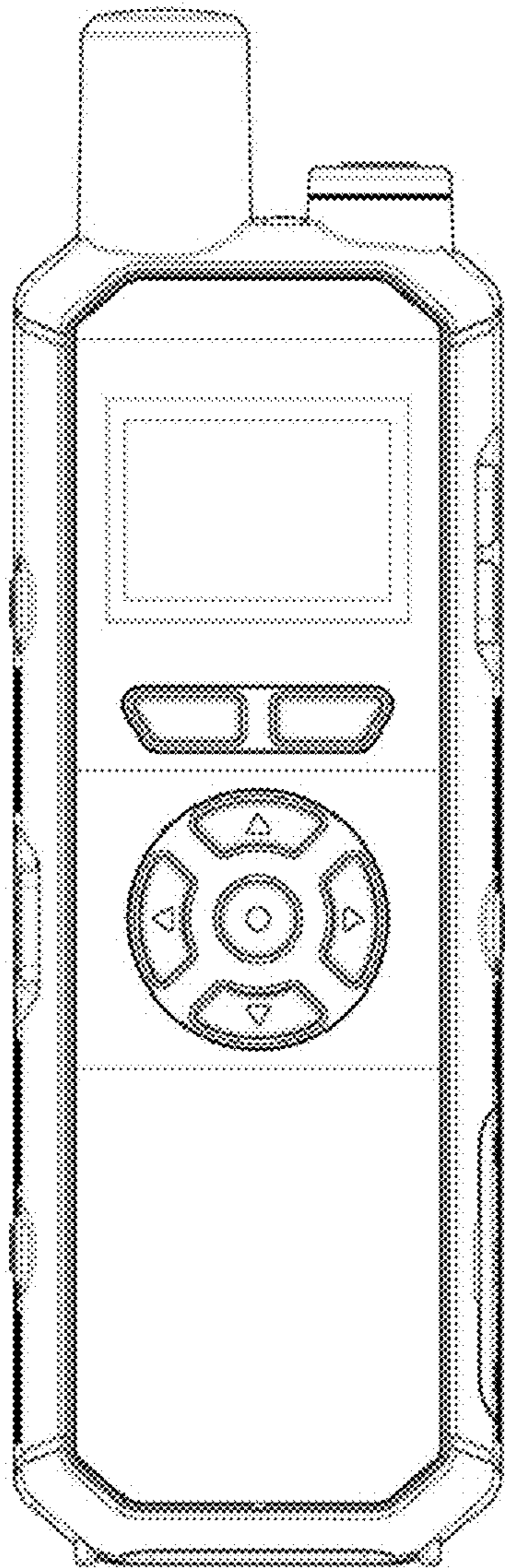


Figure 1

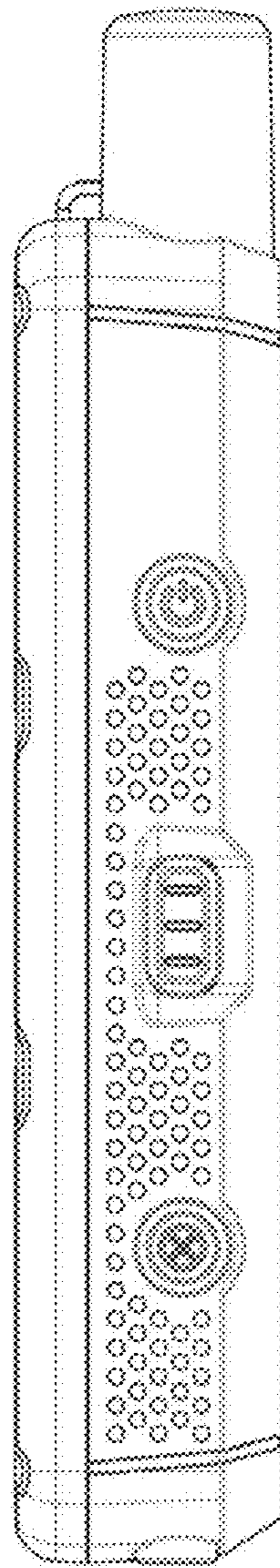


Figure 2

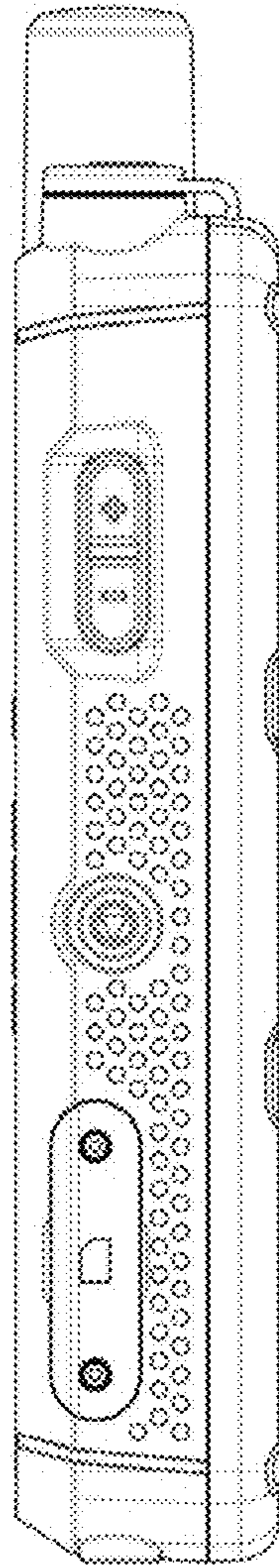


Figure 3



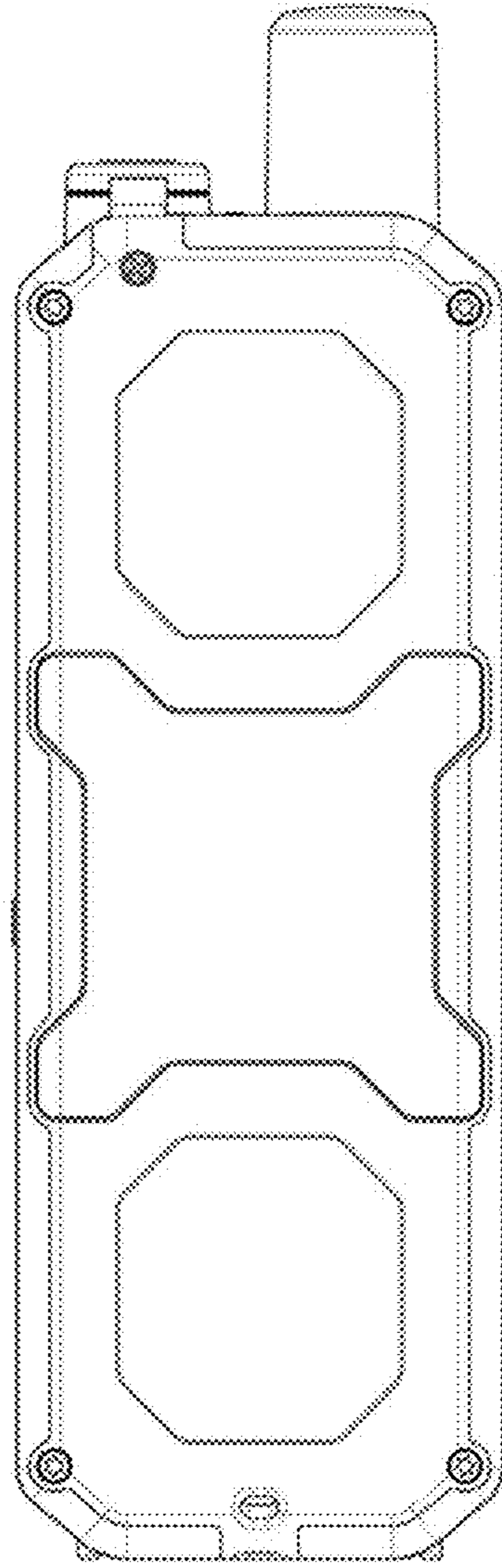


Figure 4

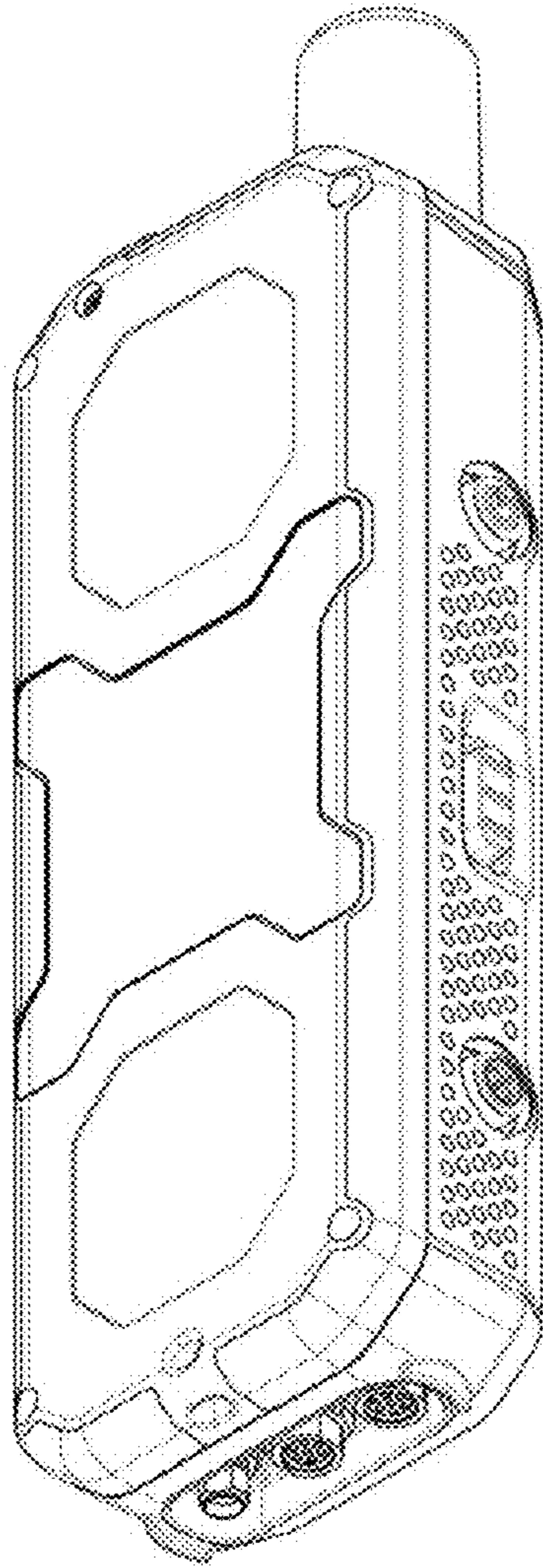


Figure 5

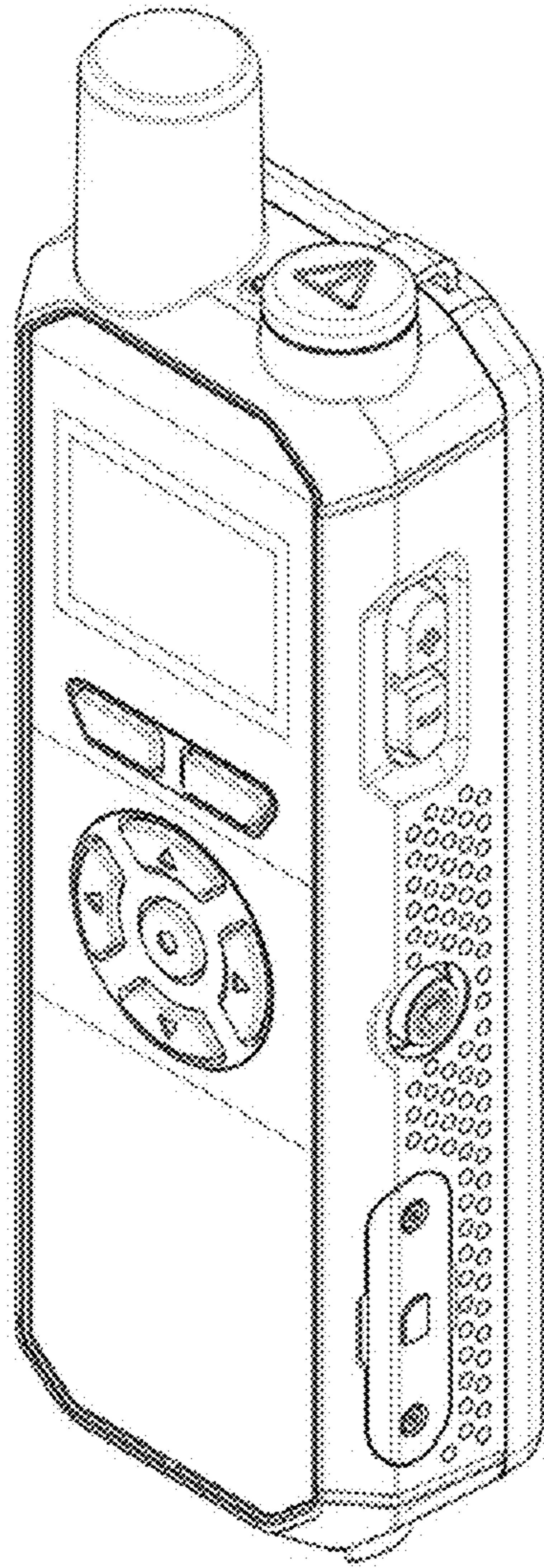


Figure 6