



US00D863241S

(12) **United States Design Patent** (10) **Patent No.:** **US D863,241 S**
Lee et al. (45) **Date of Patent:** **** Oct. 15, 2019**

(54) **TELEVISION RECEIVER**

FOREIGN PATENT DOCUMENTS

(71) Applicant: **Samsung Electronics Co., Ltd.**,
Suwon-si (KR)
(72) Inventors: **Seung-Ho Lee**, Guri-si (KR); **Jang-Ho Kim**, Seoul (KR); **Kyu-Bok Lee**, Seoul (KR)
(73) Assignee: **SAMSUNG ELECTRONICS CO., LTD.**, Suwon-si (KR)

CN 303319608 8/2015
CN 303409150 10/2015
CN 303479199 12/2015
KR 300729211 5/2014
KR 300767258 10/2014

* cited by examiner

Primary Examiner — Randall H Gholson
(74) *Attorney, Agent, or Firm* — McAndrews Held & Malloy, Ltd.

(**) Term: **15 Years**

(21) Appl. No.: **29/655,331**

(57) **CLAIM**

(22) Filed: **Jul. 2, 2018**

The ornamental design for a television receiver, as shown and described.

(30) **Foreign Application Priority Data**

DESCRIPTION

Jan. 8, 2018 (KR) 30-2018-0001272

(51) **LOC (12) Cl.** **14-03**

(52) **U.S. Cl.**
USPC **D14/126**

(58) **Field of Classification Search**
USPC D14/125-134, 239, 371, 136, 374-377, D14/440, 450, 448, 336, 342, 159; 312/7.2; 348/836, 838, 180, 184, 325, 348/739; 248/917-924, 465; 345/104, 345/133, 156, 168, 87, 173; D21/329, D21/515, 577, 622, 333, 433, 448, 452, D21/450, 331, 505; D10/15, 26; 446/484, 175, 356; D6/477, 479, 300; D24/185; D34/14

CPC ... G06F 1/1601; G06F 1/1643; H05K 5/0004; H05K 5/0017; H05K 5/02; H05K 5/0217
See application file for complete search history.

FIG. 1 is a front perspective view of a television receiver showing our new design;
FIG. 2 is a front elevation view thereof;
FIG. 3 is a rear elevation view thereof;
FIG. 4 is a left side elevation view thereof;
FIG. 5 is a right side elevation view thereof;
FIG. 6 is a top plan view thereof;
FIG. 7 is a bottom plan view thereof;
FIG. 8 is a rear perspective view thereof;
FIG. 9 is an enlarged view of the portion 9 delineated in FIG. 1;
FIG. 10 is an enlarged view of the portion 10 delineated in FIG. 2; and,
FIG. 11 is an enlarged view of the portion 11 delineated in FIG. 8.

The evenly dashed broken lines in the drawings illustrate example environment and portions of the television receiver that form no part of the claimed design. The dot-dash broken lines in the drawings delineate portions of the claimed design that are illustrated in enlargements and form no part of the claimed design.

(56) **References Cited**

U.S. PATENT DOCUMENTS

D800,101 S * 10/2017 Park D14/239
D818,450 S * 5/2018 Lee D14/126
D819,583 S * 6/2018 Lee D14/126

1 Claim, 11 Drawing Sheets

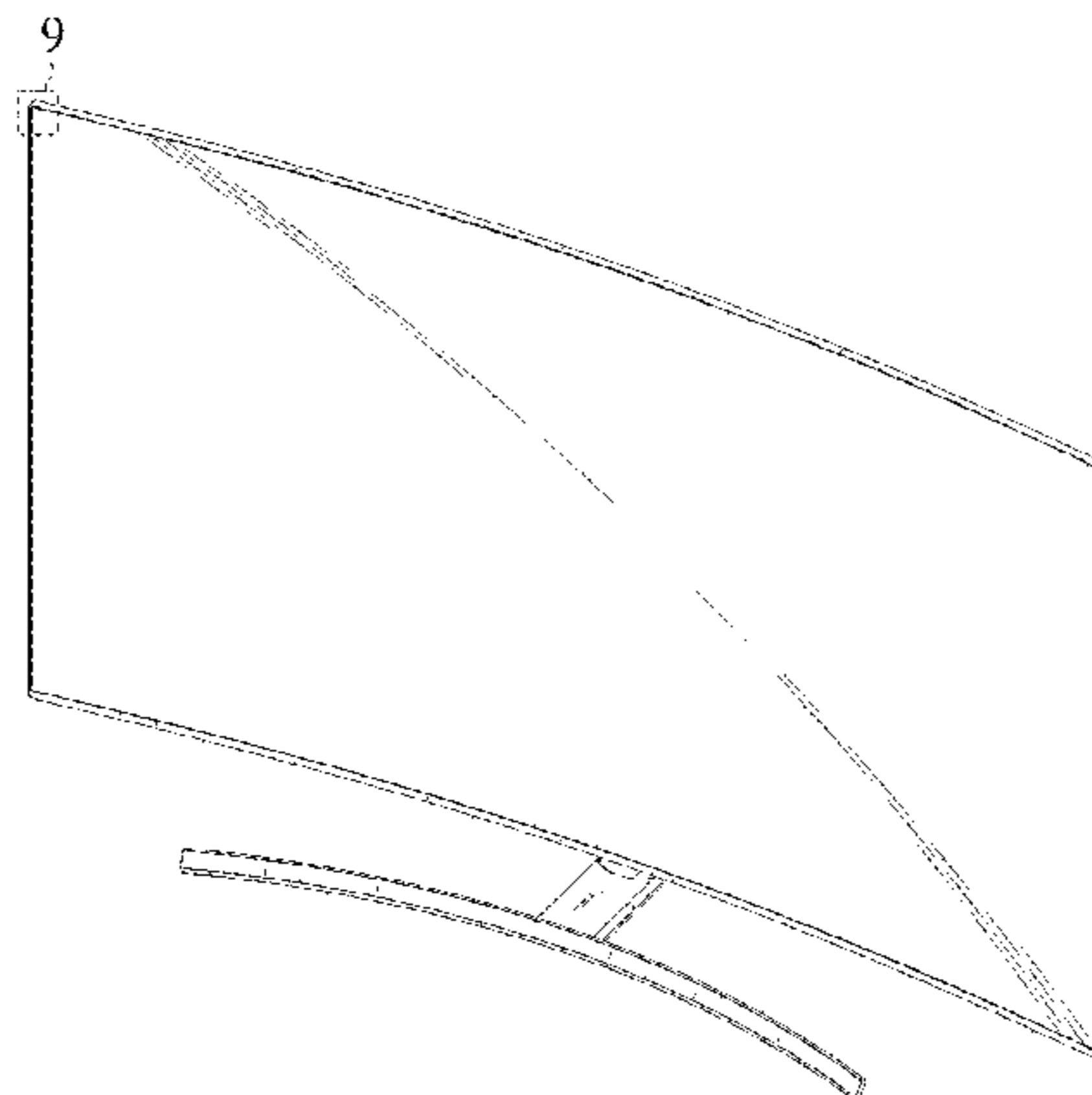


FIG. 1

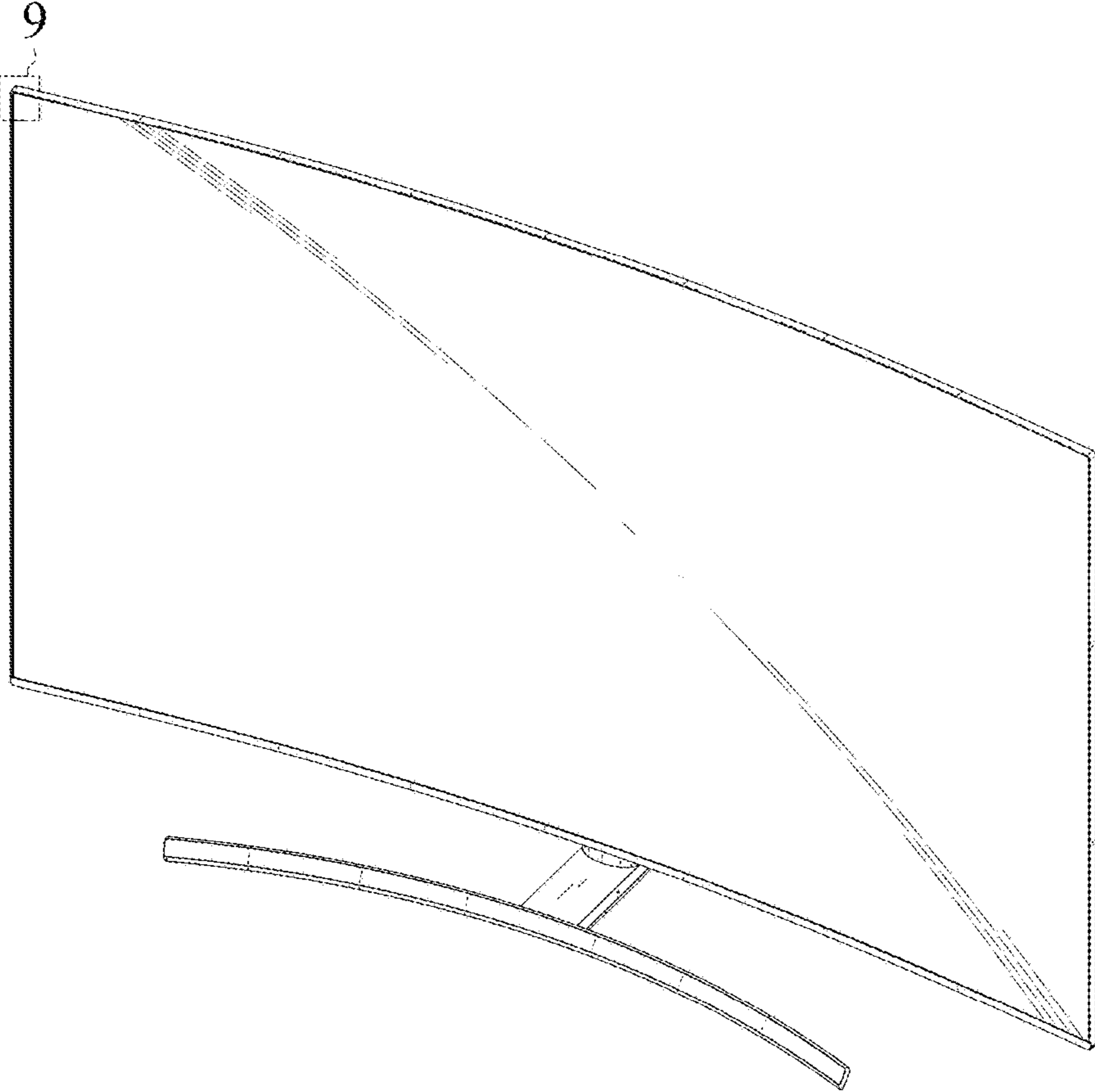


FIG. 2

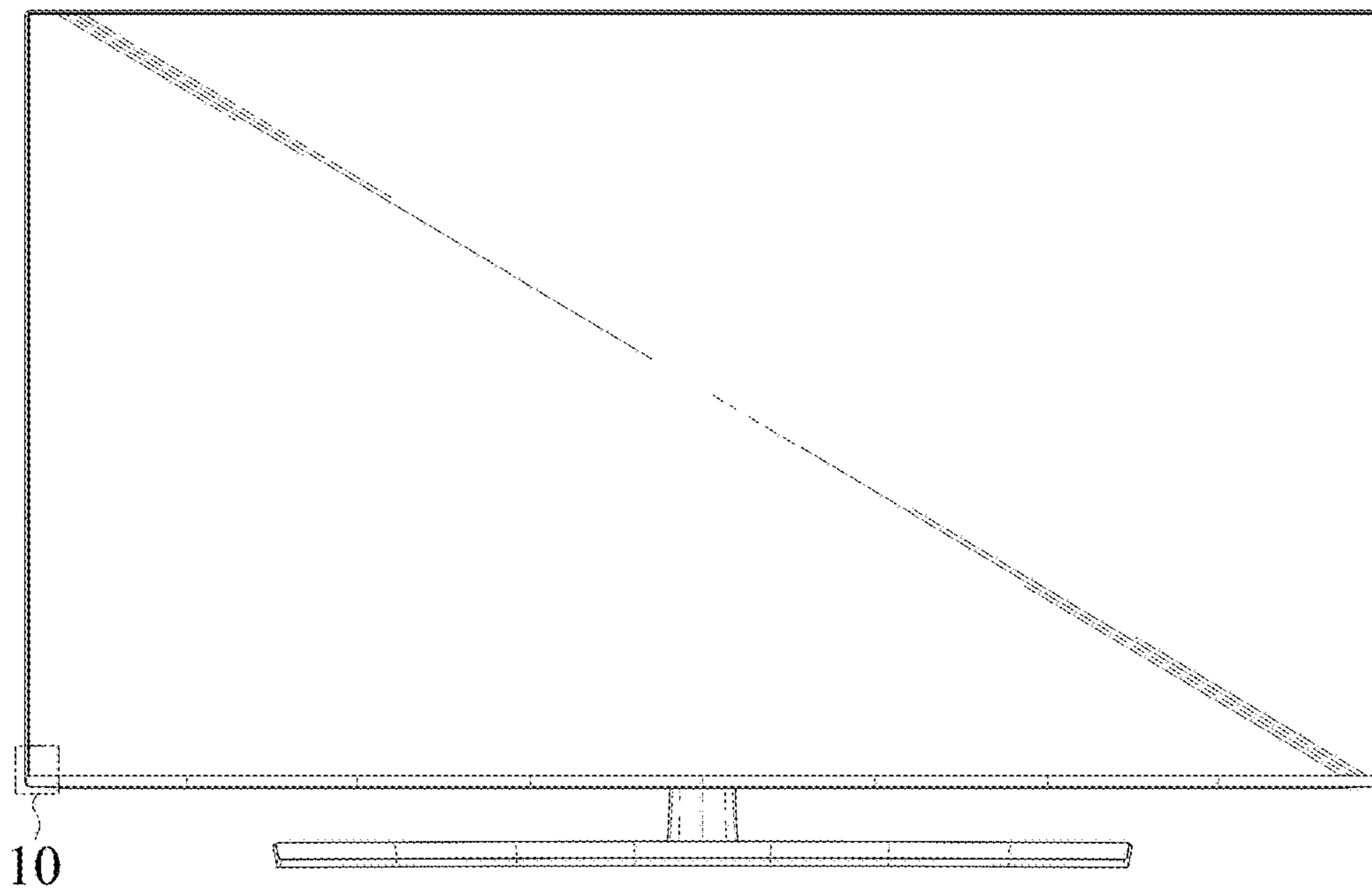


FIG. 3

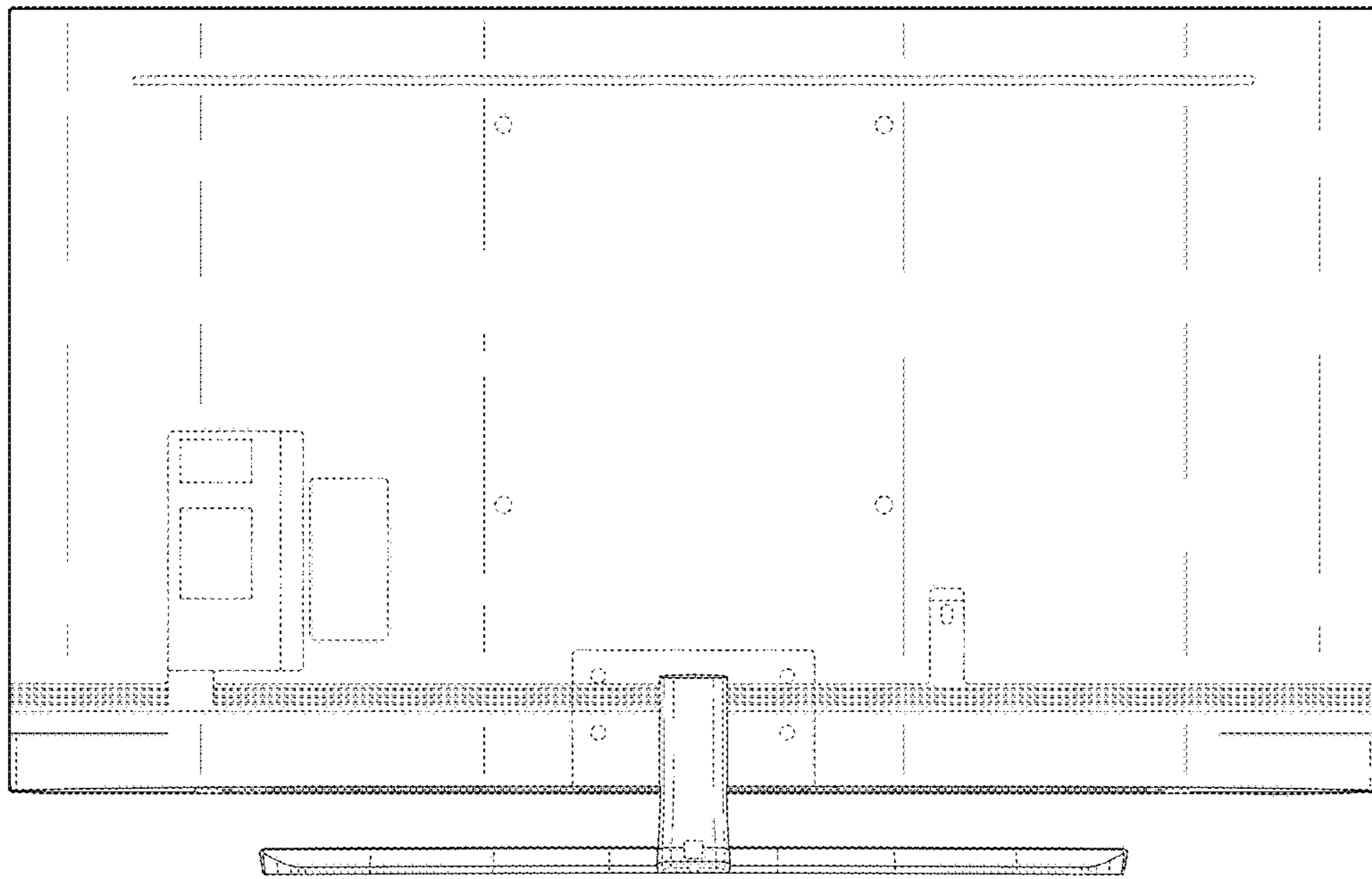


FIG. 4

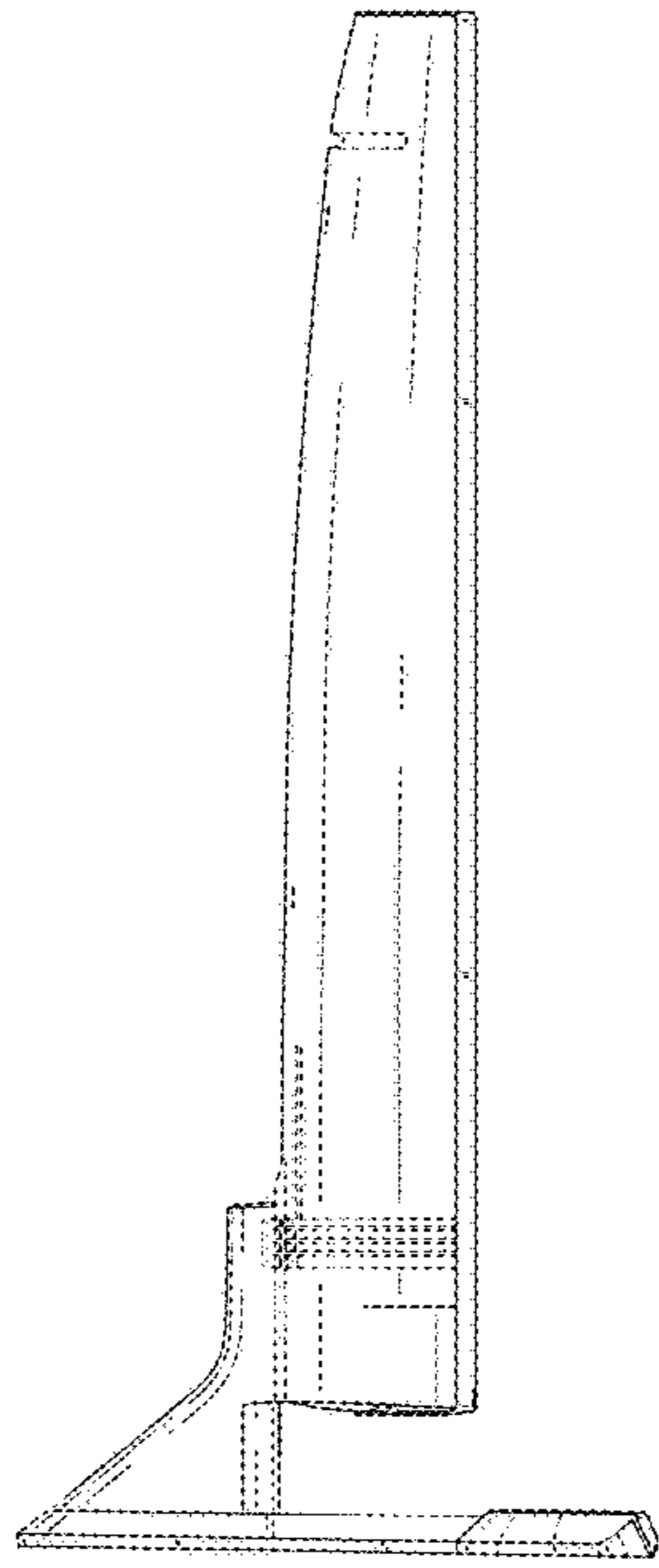


FIG. 5

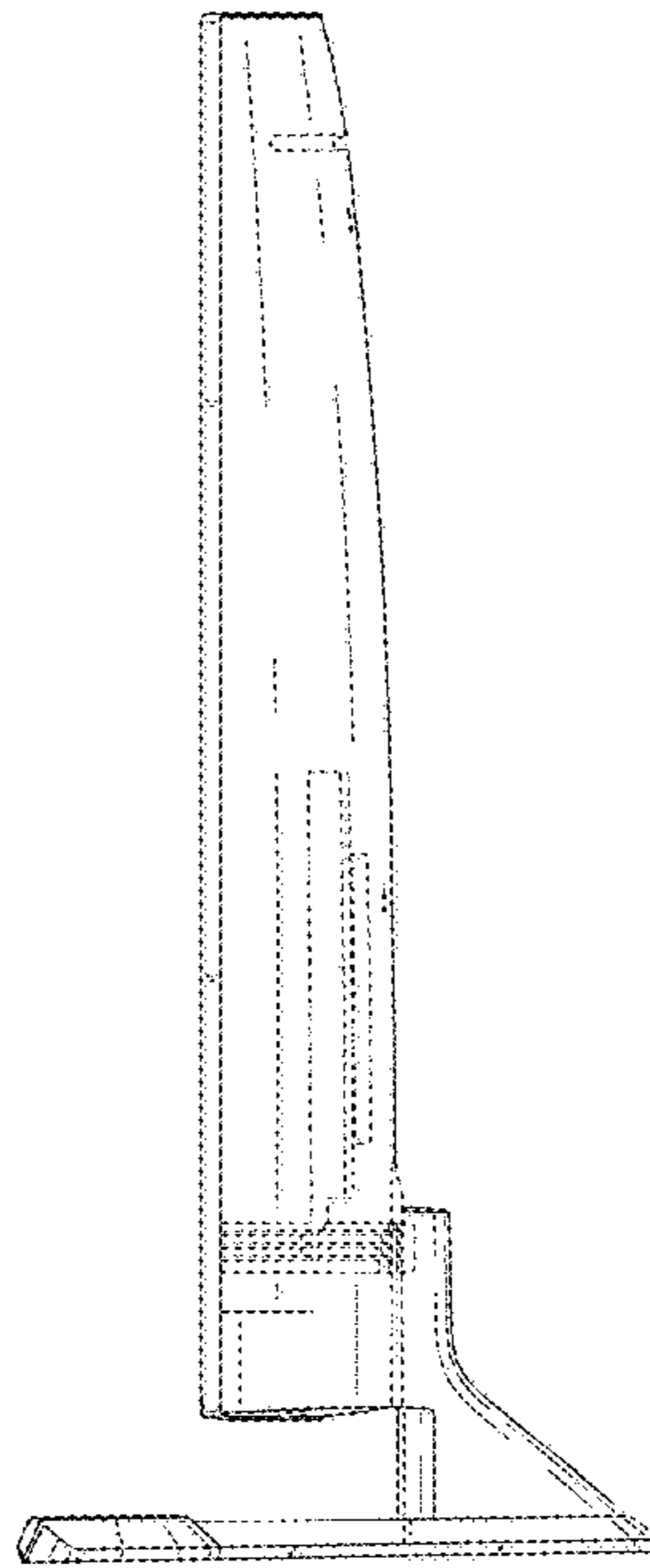


FIG. 6

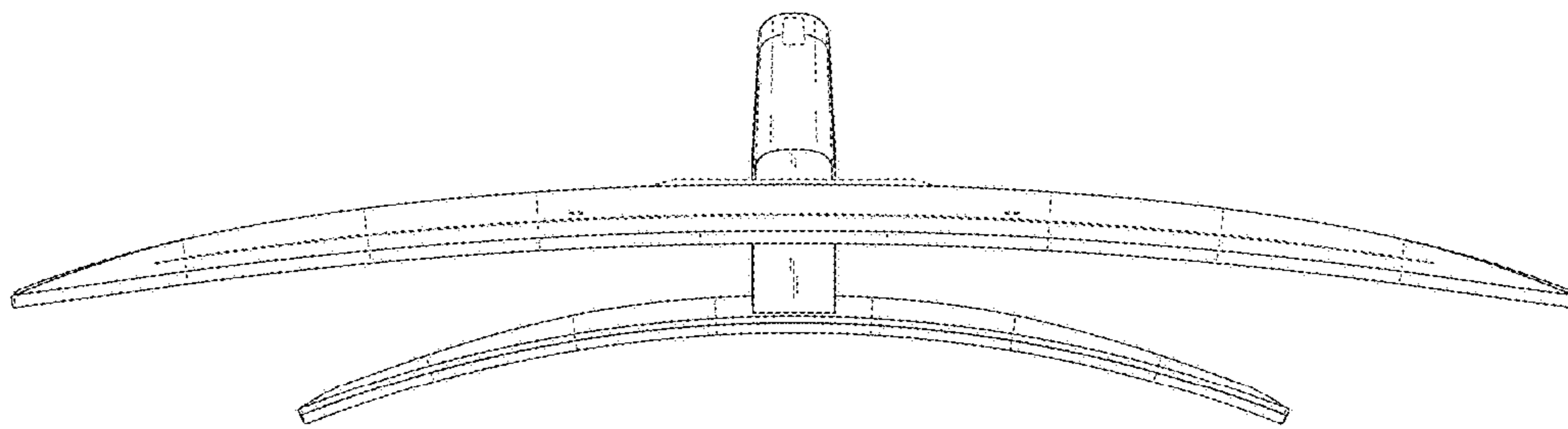


FIG. 7

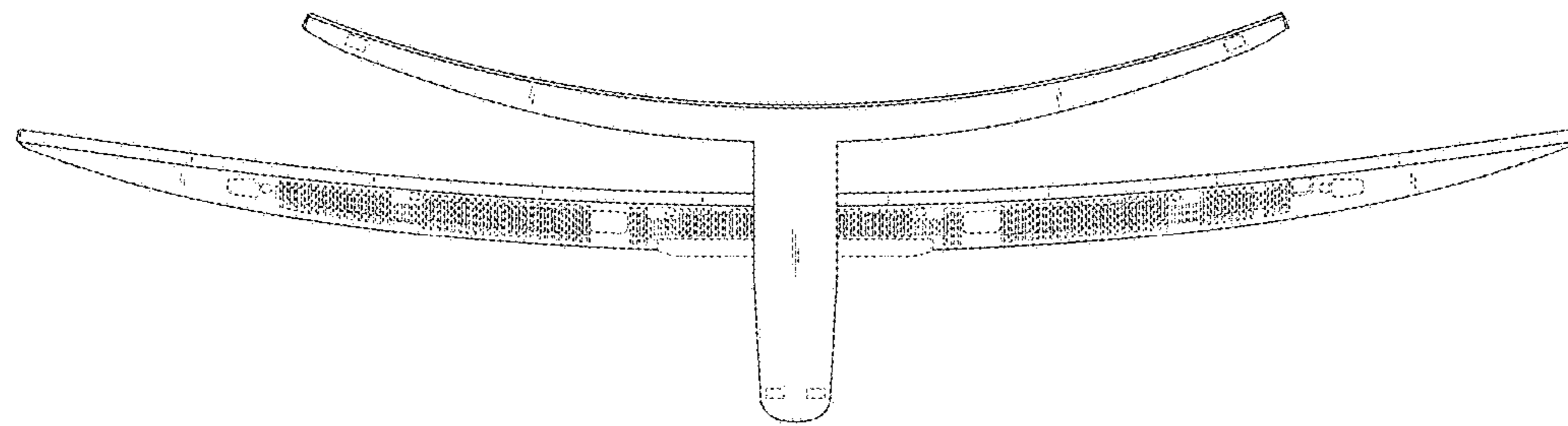


FIG. 8

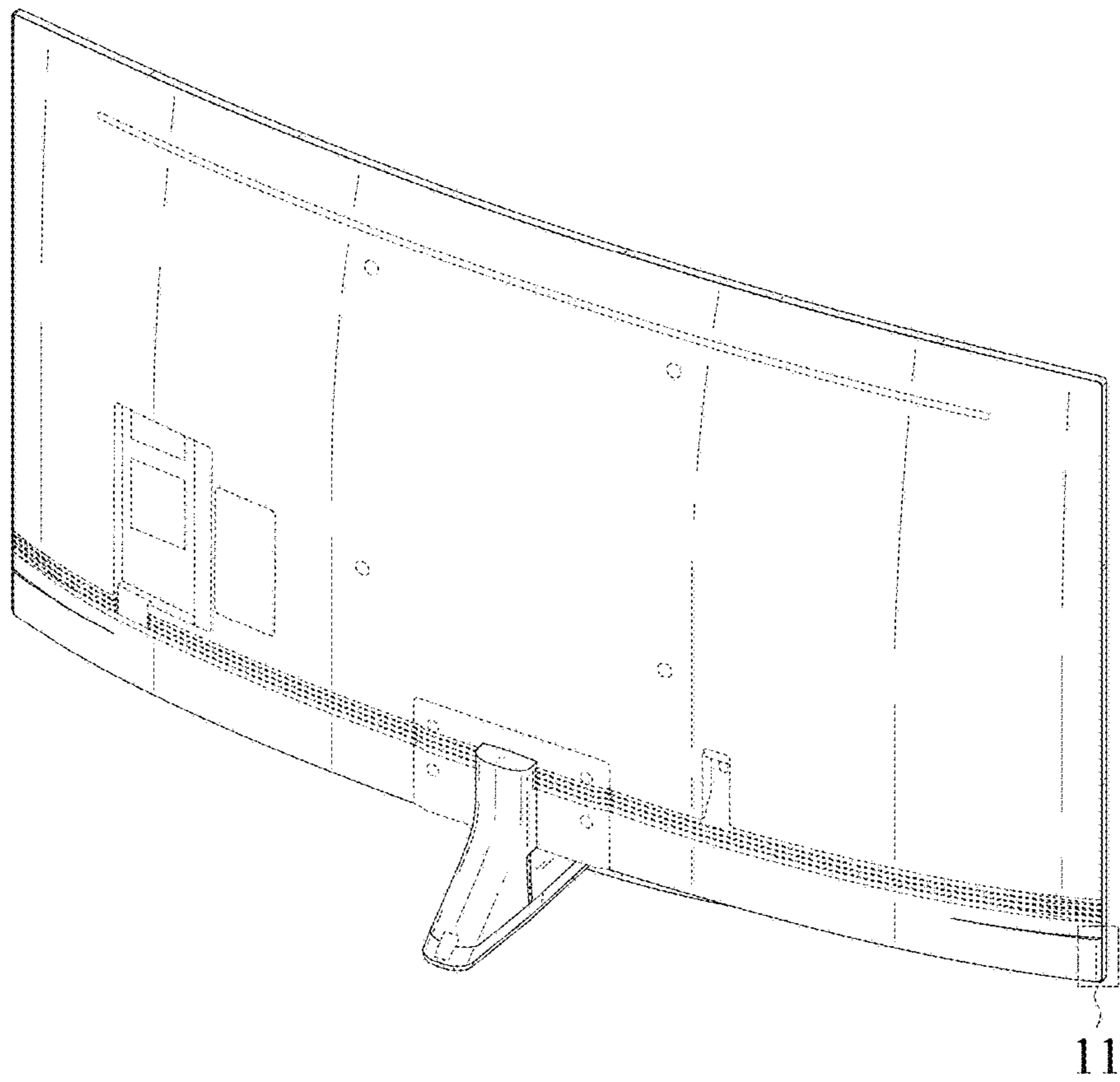


FIG. 9

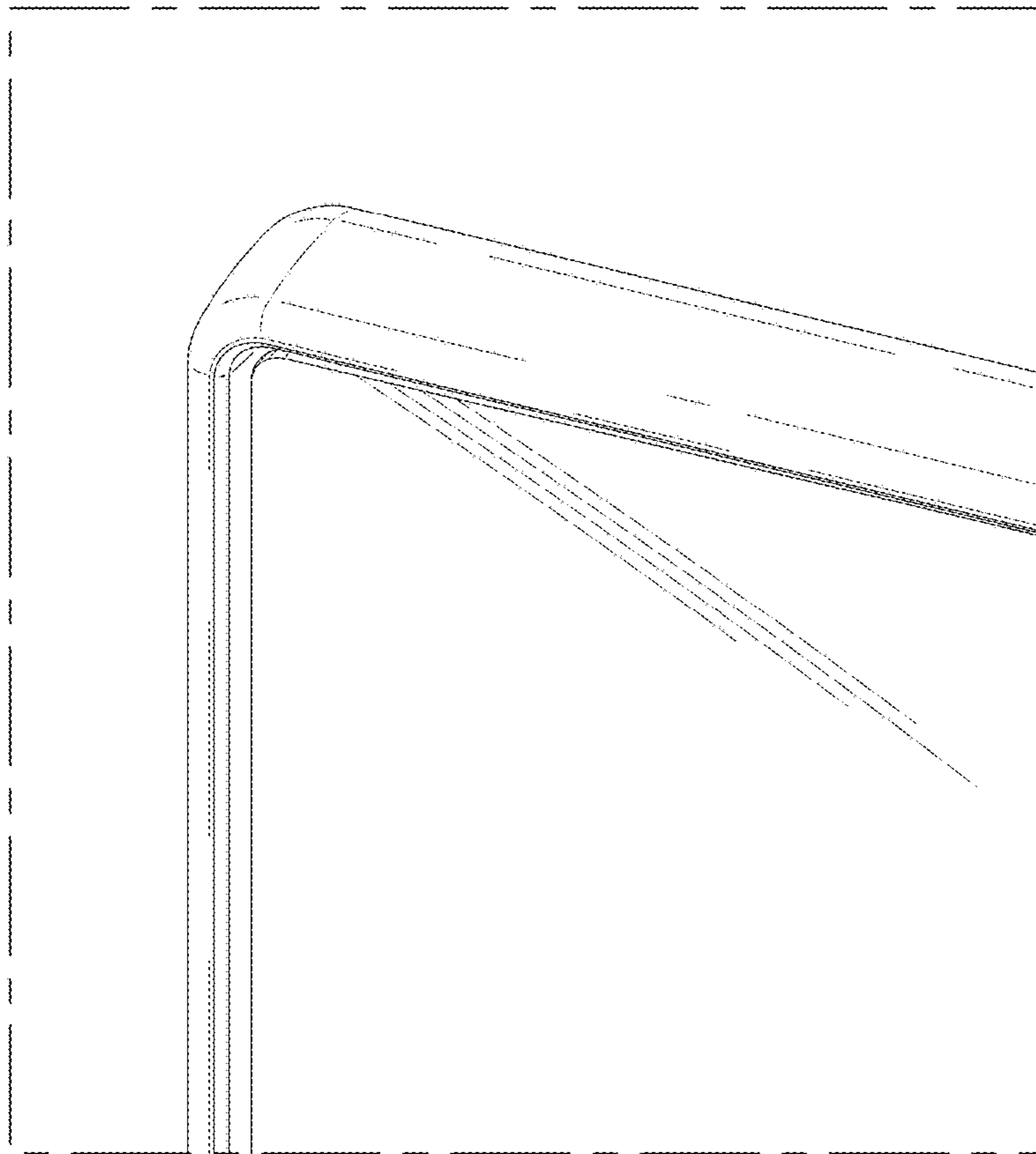


FIG. 10

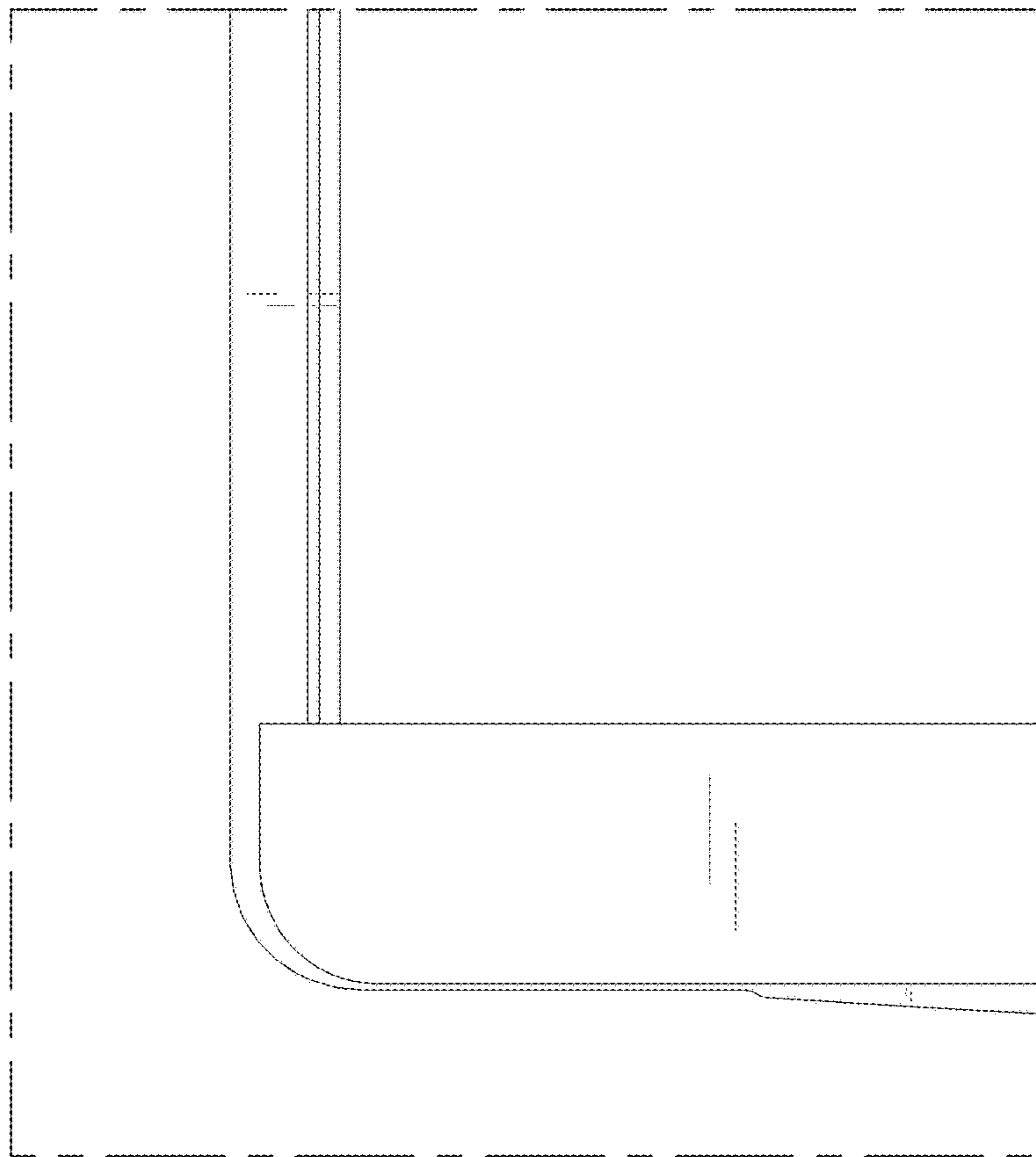


FIG. 11

